

US00D663350S

(12) **United States Design Patent**  
**O'Donnell et al.**

(10) **Patent No.:** **US D663,350 S**

(45) **Date of Patent:** **\*\* Jul. 10, 2012**

(54) **CAMERA MOUNT**

(75) Inventors: **Laura O'Donnell**, El Segundo, CA  
(US); **Carm Pierce**, Stanwood, WA  
(US); **Carl Perkins**, Seattle, WA (US)

(73) Assignee: **Contour, Inc.**, Seattle, WA (US)

(\*\*) Term: **14 Years**

(21) Appl. No.: **29/368,734**

(22) Filed: **Aug. 27, 2010**

(51) **LOC (9) Cl.** ..... **16-05**

(52) **U.S. Cl.** ..... **D16/242**

(58) **Field of Classification Search** ..... D16/242,  
D16/237, 219, 235, 245; 248/176.1, 177.1,  
248/185.1, 187.1; 352/343; 396/419, 428  
See application file for complete search history.

(56) **References Cited**

**U.S. PATENT DOCUMENTS**

D246,528 S *	11/1977	Miller	.....	D16/245
4,516,157 A	5/1985	Campbell		
4,525,045 A	6/1985	Fazekas		
D292,982 S *	12/1987	Nakatani	.....	D16/245
5,056,745 A *	10/1991	Gelbard	.....	248/183.4
5,218,439 A	6/1993	Mizoguchi et al.		
5,557,329 A	9/1996	Lim		
5,583,571 A	12/1996	Friedland		
D378,095 S	2/1997	Hasegawa		
D392,300 S	3/1998	Chow et al.		
5,859,666 A	1/1999	Manabe		
5,966,176 A	10/1999	Chow et al.		
6,028,627 A	2/2000	Helmsderfer		
6,091,831 A	7/2000	Cho		
D430,888 S	9/2000	Adachi et al.		
6,142,437 A	11/2000	Wilkins, Jr.		
6,377,302 B1	4/2002	Ozaki et al.		
6,421,088 B1	7/2002	Lee		
6,704,044 B1	3/2004	Foster et al.		
6,819,354 B1	11/2004	Foster et al.		
D506,489 S	6/2005	Owada		
D510,374 S	10/2005	Greenwood et al.		
6,955,484 B2	10/2005	Woodman		

D547,346 S	7/2007	Ollila		
7,273,321 B2	9/2007	Woodman		
D558,805 S	1/2008	Sadatsuki		
7,353,086 B2	4/2008	Ennis		
D576,658 S	9/2008	Speggiorin		
D581,959 S	12/2008	Chan		
7,458,736 B2	12/2008	Woodman		
D591,325 S *	4/2009	Dordick	.....	D16/242
7,522,834 B2	4/2009	Heaven et al.		
D592,231 S	5/2009	Schnell		
D592,235 S *	5/2009	Bryant et al.	.....	D16/243

(Continued)

**FOREIGN PATENT DOCUMENTS**

CA 2 463 117 A1 8/2004

(Continued)

**OTHER PUBLICATIONS**

International Application No. PCT/US2008/71661, filed Jul. 30, 2008.

(Continued)

*Primary Examiner* — Cynthia Underwood

(74) *Attorney, Agent, or Firm* — Stoel Rives LLP

(57) **CLAIM**

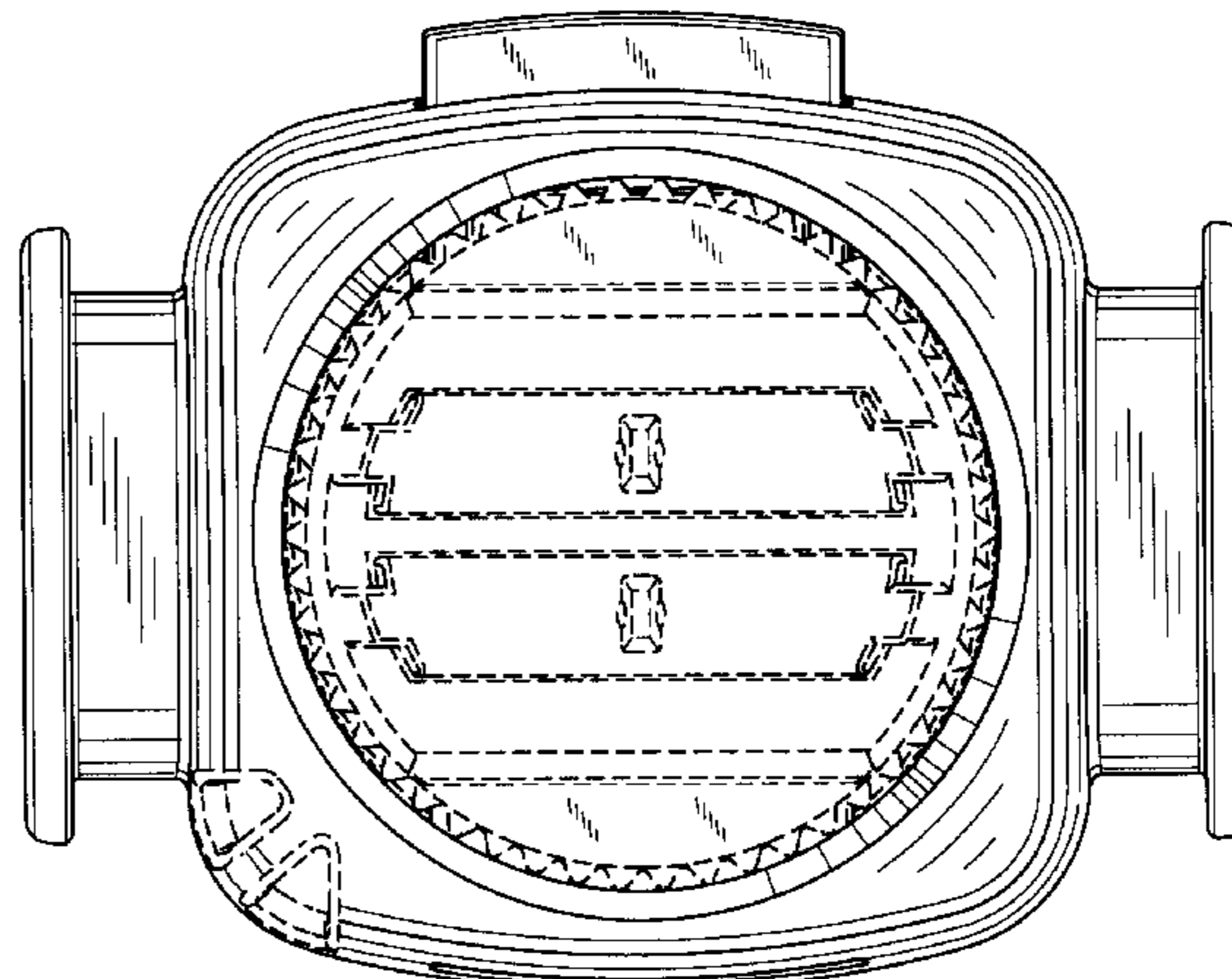
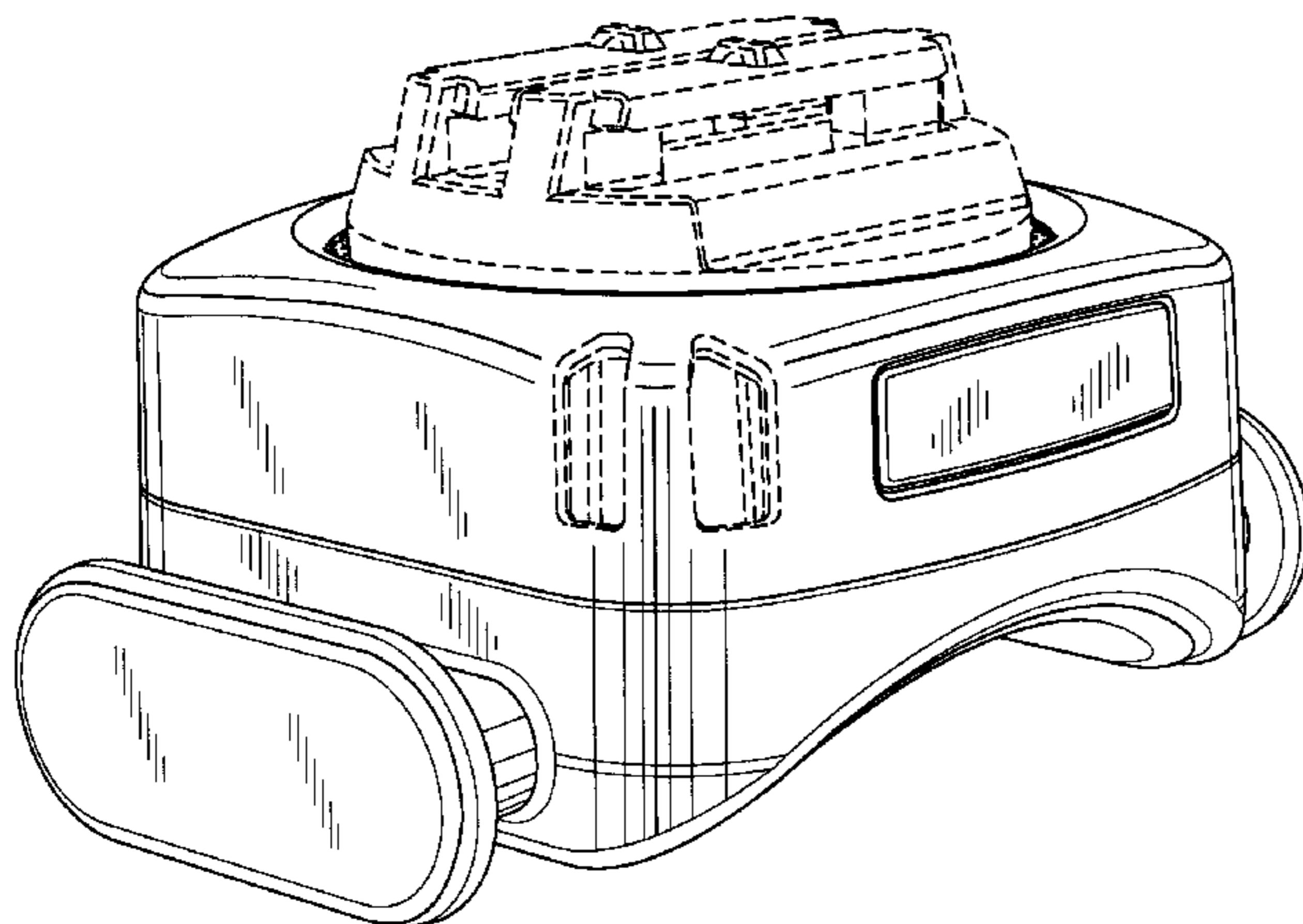
The ornamental design for a camera mount, as shown and described.

**DESCRIPTION**

FIG. 1 is a top, front, and left side perspective view of a camera mount, showing our new design; FIG. 2 is a top plan view thereof; FIG. 3 is a front elevation view thereof; FIG. 4 is a right side elevation view thereof; FIG. 5 is a left side elevation view thereof; FIG. 6 is a rear elevation view thereof; and, FIG. 7 is a bottom view thereof.

The broken lines are for illustrative purposes only and form no part of the claimed design.

**1 Claim, 3 Drawing Sheets**



U.S. PATENT DOCUMENTS

D596,658	S	*	7/2009	Dordick	.....	D16/242
D603,442	S	*	11/2009	Dordick	.....	D16/242
7,658,556	B2		2/2010	Johnson		
7,661,891	B2		2/2010	Heibel		
D616,006	S		5/2010	Green et al.		
7,753,599	B2		7/2010	Segawa et al.		
D621,435	S		8/2010	Green et al.		
D630,238	S		1/2011	Fukuma et al.		
D640,304	S	*	6/2011	Green et al.	.....	D16/242
D643,057	S	*	8/2011	Mendoza et al.	.....	D16/242
8,014,656	B2		9/2011	Woodman		
D646,315	S	*	10/2011	Orf	.....	D16/242
8,079,501	B2		12/2011	Woodman		
D653,692	S	*	2/2012	Dordick	.....	D16/242
8,120,651	B2		2/2012	Ennis		
2002/0067920	A1		6/2002	Weng et al.		
2003/0063200	A1		4/2003	Isoyama		
2003/0128975	A1		7/2003	Shevick		
2004/0004825	A1		1/2004	Malard et al.		
2005/0200750	A1		9/2005	Ollila		
2005/0206736	A1		9/2005	Ng et al.		
2006/0055786	A1		3/2006	Ollila		
2006/0274171	A1		12/2006	Wang		
2007/0111754	A1		5/2007	Marshall et al.		
2009/0109292	A1		4/2009	Ennis		
2011/0280540	A1		11/2011	Woodman		

FOREIGN PATENT DOCUMENTS

DE	198 31 819	C1	7/1998
DE	20 2004 001 608	U1	6/2004
EP	0 917 359	A1	5/1999
EP	0980181		2/2000
EP	1 944 965	A1	7/2008
JP	61-118076		6/1986
JP	08-223524		8/1996
WO	WO 94/26061		11/1994
WO	WO 96/38004		11/1996
WO	WO 2007/077759	A1	7/2007

OTHER PUBLICATIONS

Nov. 2, 2009 world wide web (“[http://www.helmkameras24.de/Oregon-Scientific-ATC-9000\\_c25 . . .](http://www.helmkameras24.de/Oregon-Scientific-ATC-9000_c25...)”) 2-page printout concerning new item Oregon Scientific ATC 9000.

Nov. 2, 2009 world wide web (“<http://www.actioncameras.co.uk/X170>”) 4-page printout concerning X170 Action Camera and its mounts.

Austrian Patent Office, Search and Opinion on Legal Validity, Aug. 3, 2010 (German language version and English translation).  
 Photograph of a Midlandradio goggle mount for a camera. The photograph was taken at the CES Trade Show, Jan. 2010.  
 Photograph of a Midlandradio goggle mount for a camera with a plug mount inserted into the goggle mount and with a camera showing in the foreground. The photograph was taken at the CES Trade Show, Jan. 2010.

Internet website: [https://www.midlandradio.com/Resource\\_/Product/1390/Detail/LargeImage/Goggle%20Mou . . .](https://www.midlandradio.com/Resource_/Product/1390/Detail/LargeImage/Goggle%20Mou...), Oct. 18, 2010.

Supplemental Search Report from the European Patent Office concerning related European Patent Application No. 08782542.8.  
 English language machine translation of JP 08-223524 (Reference BM).

Drawing of subject matter of a photograph of a Midlandradio goggle mount for a camera. The photograph was taken at the CES Trade Show, Jan. 2010. This corresponds with reference BT.

Drawing of subject matter of a photograph of a Midlandradio goggle mount for a camera with a plug mount inserted into the goggle mount and with a camera showing in the foreground. The photograph was taken at the CES Trade Show, Jan. 2010. This corresponds with reference BU.

Drawing of subject matter from a print out from an Internet website: [https://www.midlandradio.com/Resource\\_/Product/1390/Detail/LargeImage/Goggle%20Mou . . .](https://www.midlandradio.com/Resource_/Product/1390/Detail/LargeImage/Goggle%20Mou...), Oct. 18, 2010. This corresponds with reference BV.

May 13, 2011 Written Opinion concerning related Singapore Patent Application No. 20100010-4.  
 Office action dated Nov. 24, 2011 issued by the Chinese Patent Office for corresponding Chinese Patent Application No. 200880109237.6.

\* cited by examiner



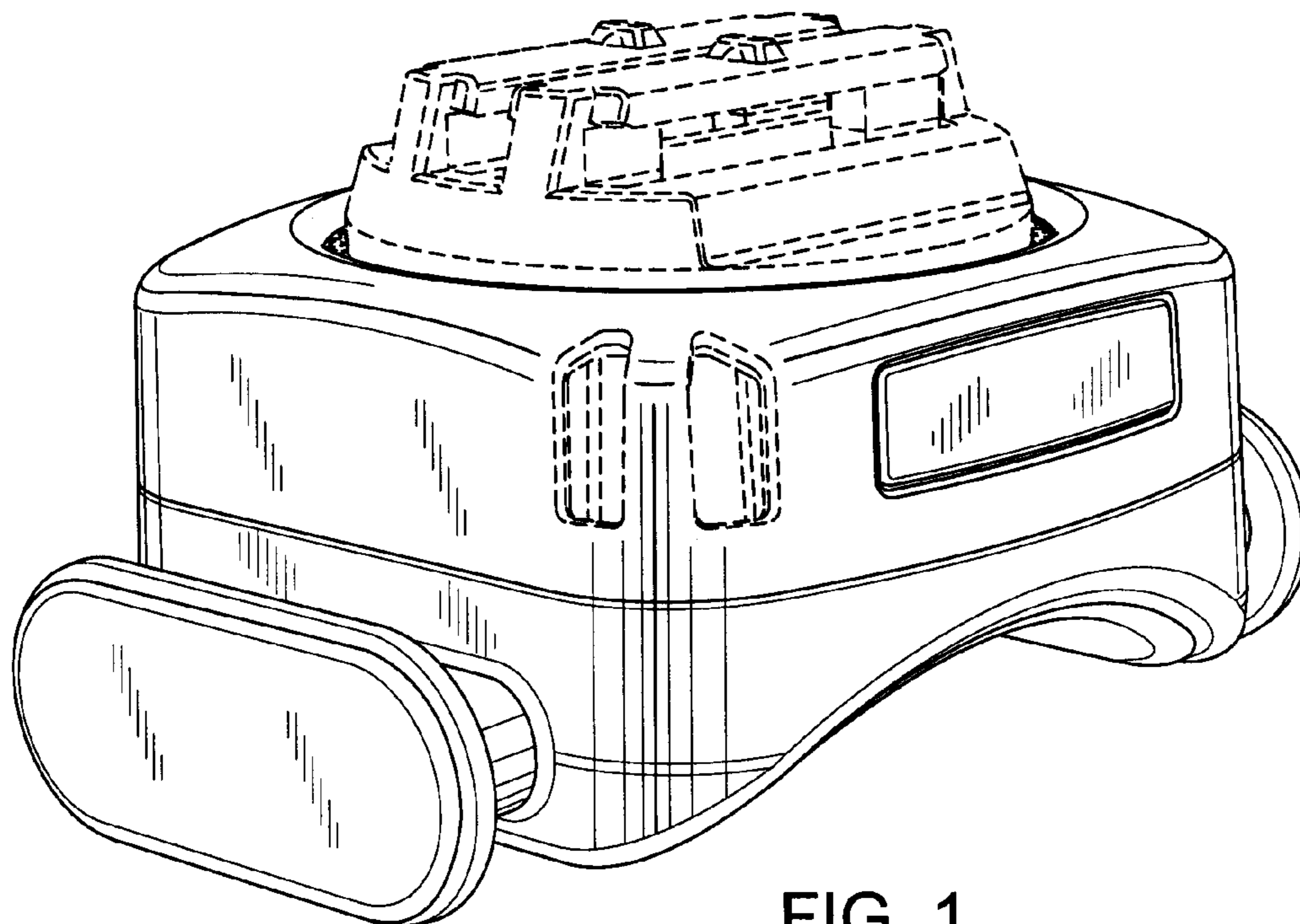


FIG. 1

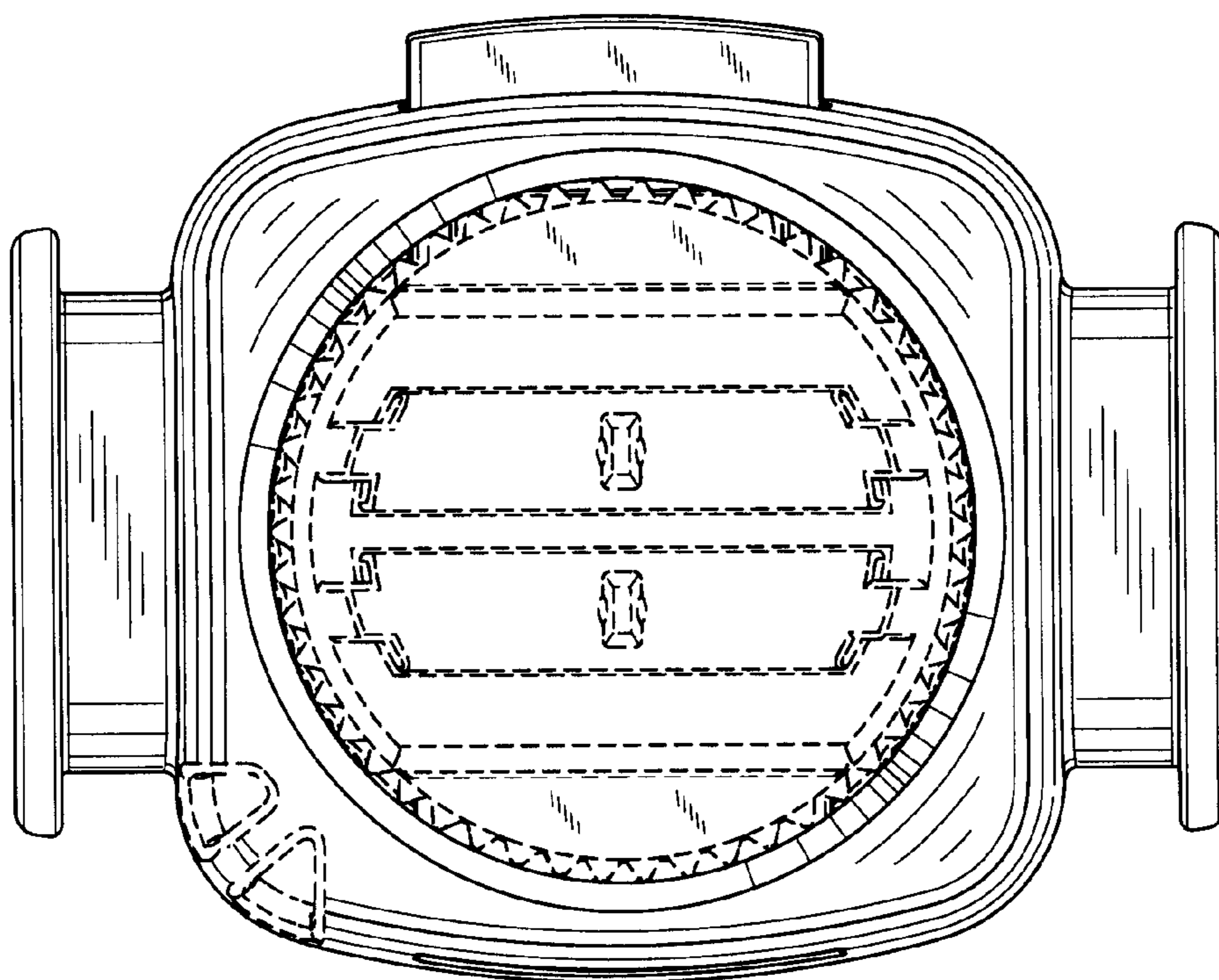


FIG. 2

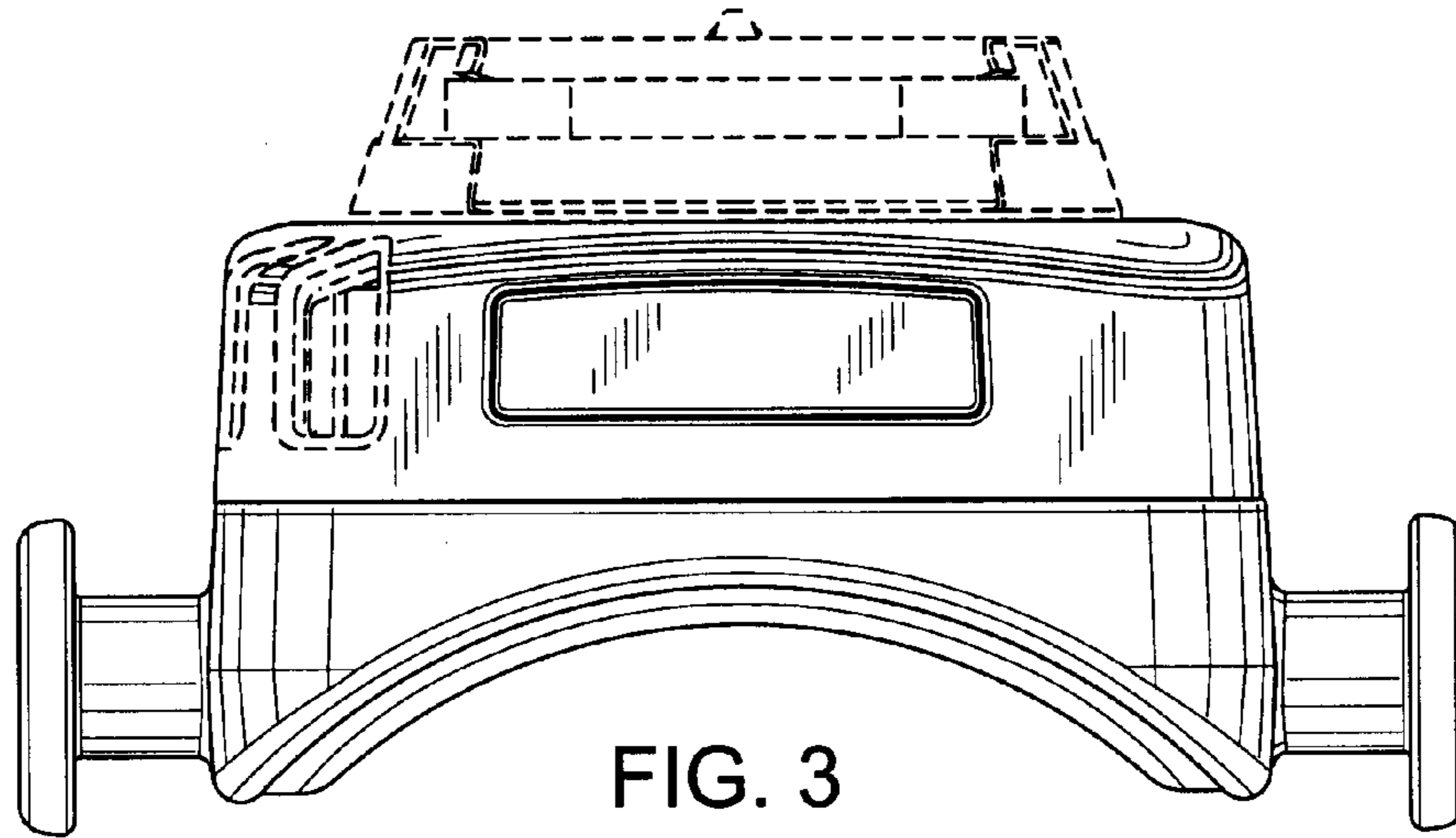


FIG. 3

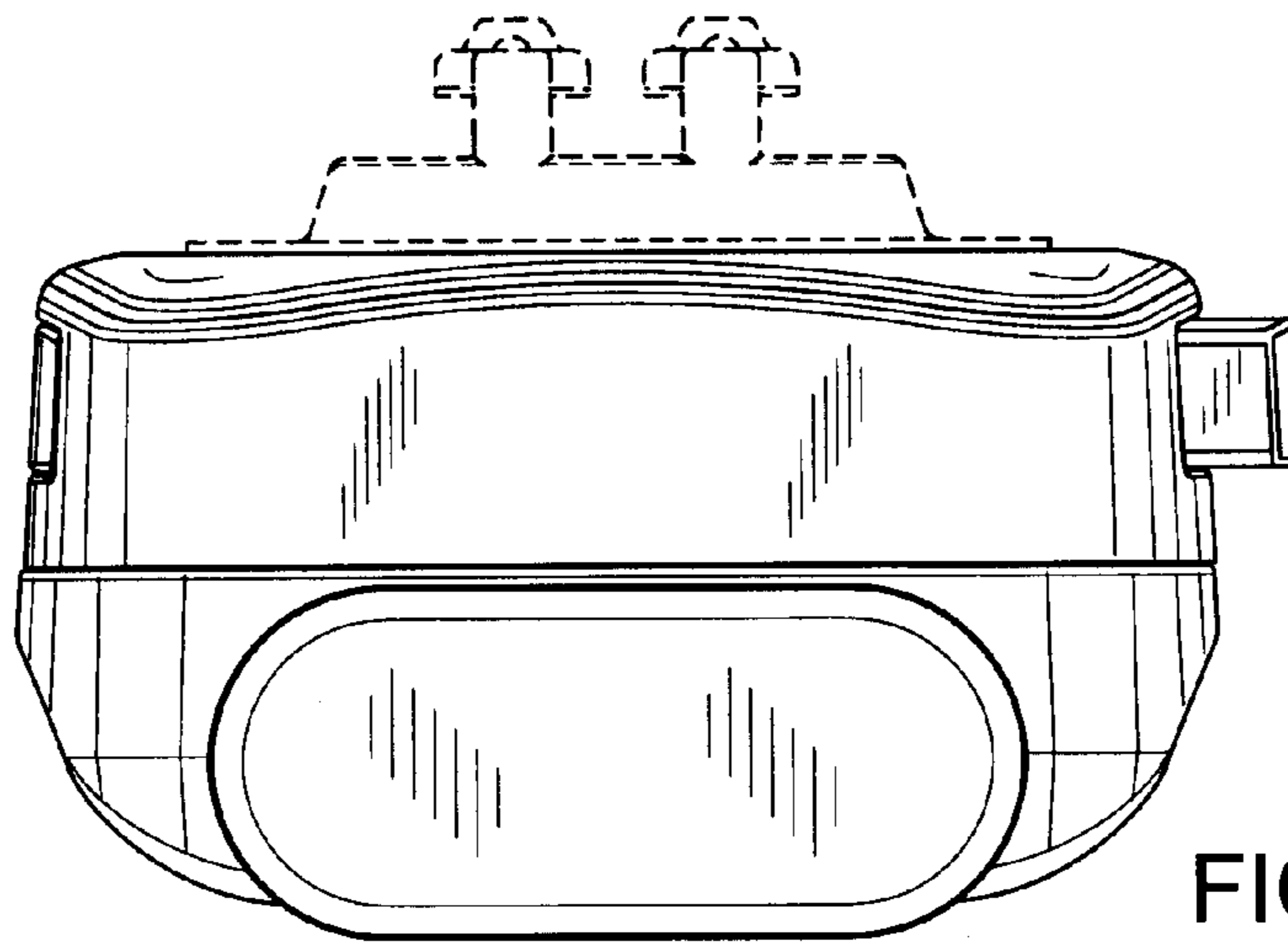


FIG. 4

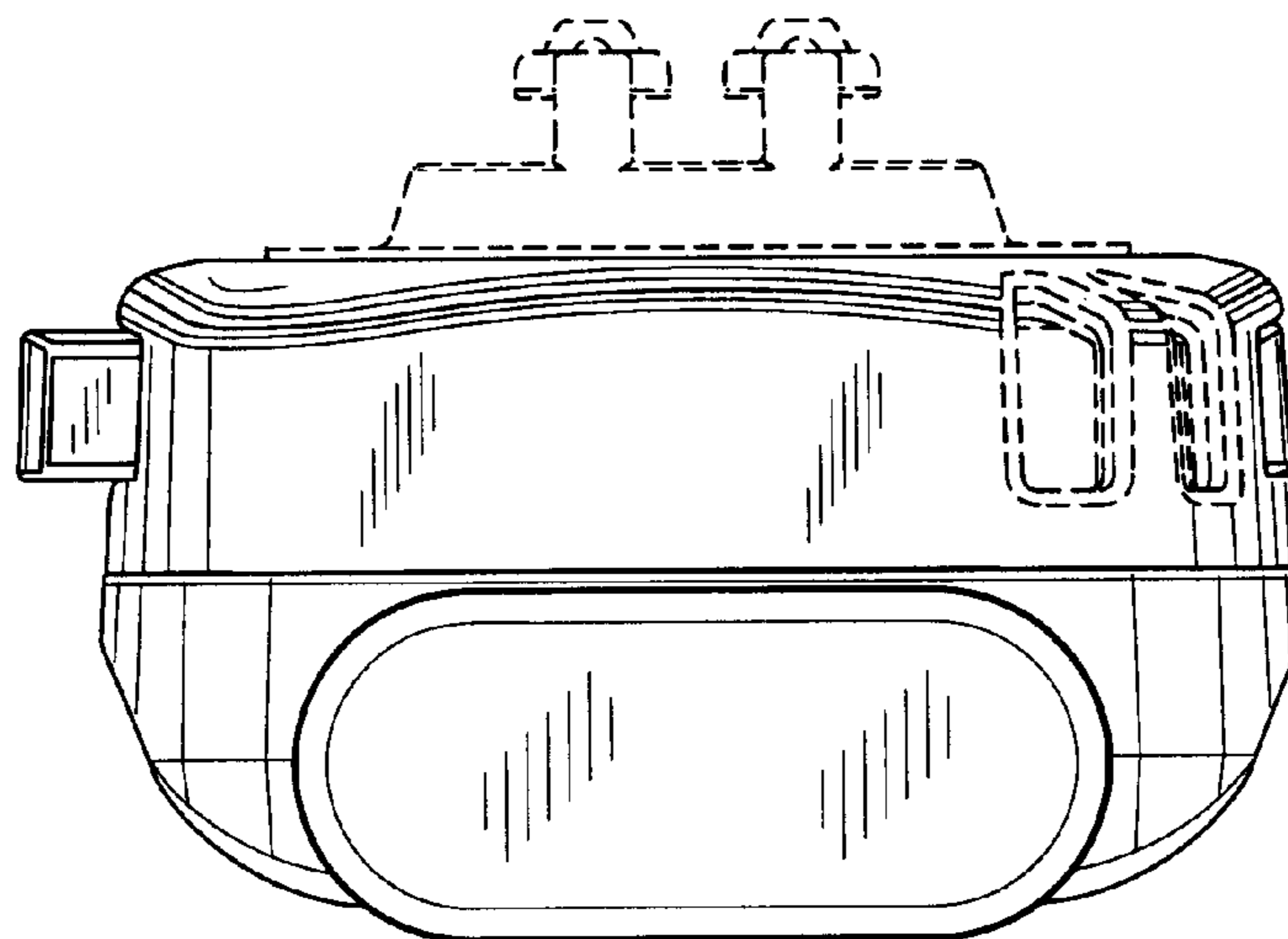


FIG. 5

