



US00D663347S

(12) **United States Design Patent**
Tatara et al.

(10) **Patent No.:** **US D663,347 S**
(45) **Date of Patent:** **** Jul. 10, 2012**

(54) **PROJECTOR**

(75) Inventors: **Yoshihiro Tatara**, Matsumoto (JP);
Tetsu Nakayama, Matsumoto (JP);
Yasutomo Takahashi, Matsumoto (JP);
Sei Nakanishi, Matsumoto (JP); **Takuya Hatano**, Matsumoto (JP)

(73) Assignee: **Seiko Epson Corporation**, Tokyo (JP)

(**) Term: **14 Years**

(21) Appl. No.: **29/402,778**

(22) Filed: **Sep. 27, 2011**

(30) **Foreign Application Priority Data**

Jun. 1, 2011 (JP) 2011-012452

(51) **LOC (9) Cl.** **16-02**

(52) **U.S. Cl.** **D16/230; D16/225**

(58) **Field of Classification Search** D16/205,
D16/208, 221, 225, 230-231, 234; D21/514;
353/115, 119, 122

See application file for complete search history.

(56) **References Cited**

U.S. PATENT DOCUMENTS

6,793,343 B2 * 9/2004 Nakano et al. 353/119
7,008,180 B2 * 3/2006 Fujimori et al. 353/61
D551,691 S * 9/2007 Sakamaki et al. D16/230

D574,406 S * 8/2008 Sakamaki et al. D16/230
D591,784 S * 5/2009 Inoue et al. D16/230
D606,110 S * 12/2009 Inoue et al. D16/230
D615,575 S * 5/2010 Inoue et al. D16/230
D647,120 S * 10/2011 Kawabe et al. D16/230
D647,121 S * 10/2011 Kawabe et al. D16/230

* cited by examiner

Primary Examiner — Wan Laymon

(74) *Attorney, Agent, or Firm* — Oliff & Berridge, PLC

(57) **CLAIM**

The ornamental design for a projector, as shown and described.

DESCRIPTION

FIG. 1 is a bottom, front, right-side perspective view of a projector;

FIG. 2 is a top, rear, left-side perspective view thereof;

FIG. 3 is a front view thereof;

FIG. 4 is a rear view thereof;

FIG. 5 is a left-side view thereof;

FIG. 6 is a right-side view thereof;

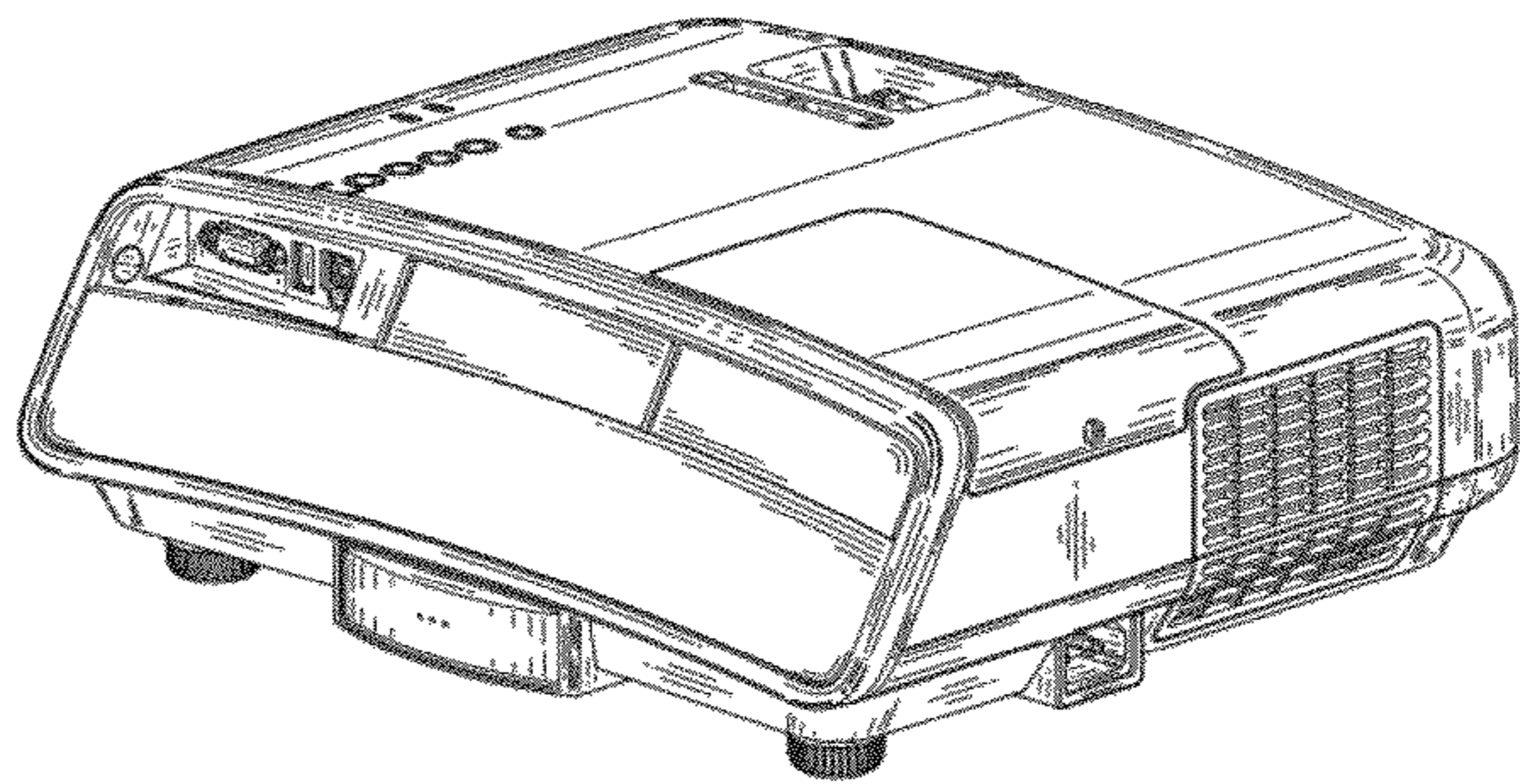
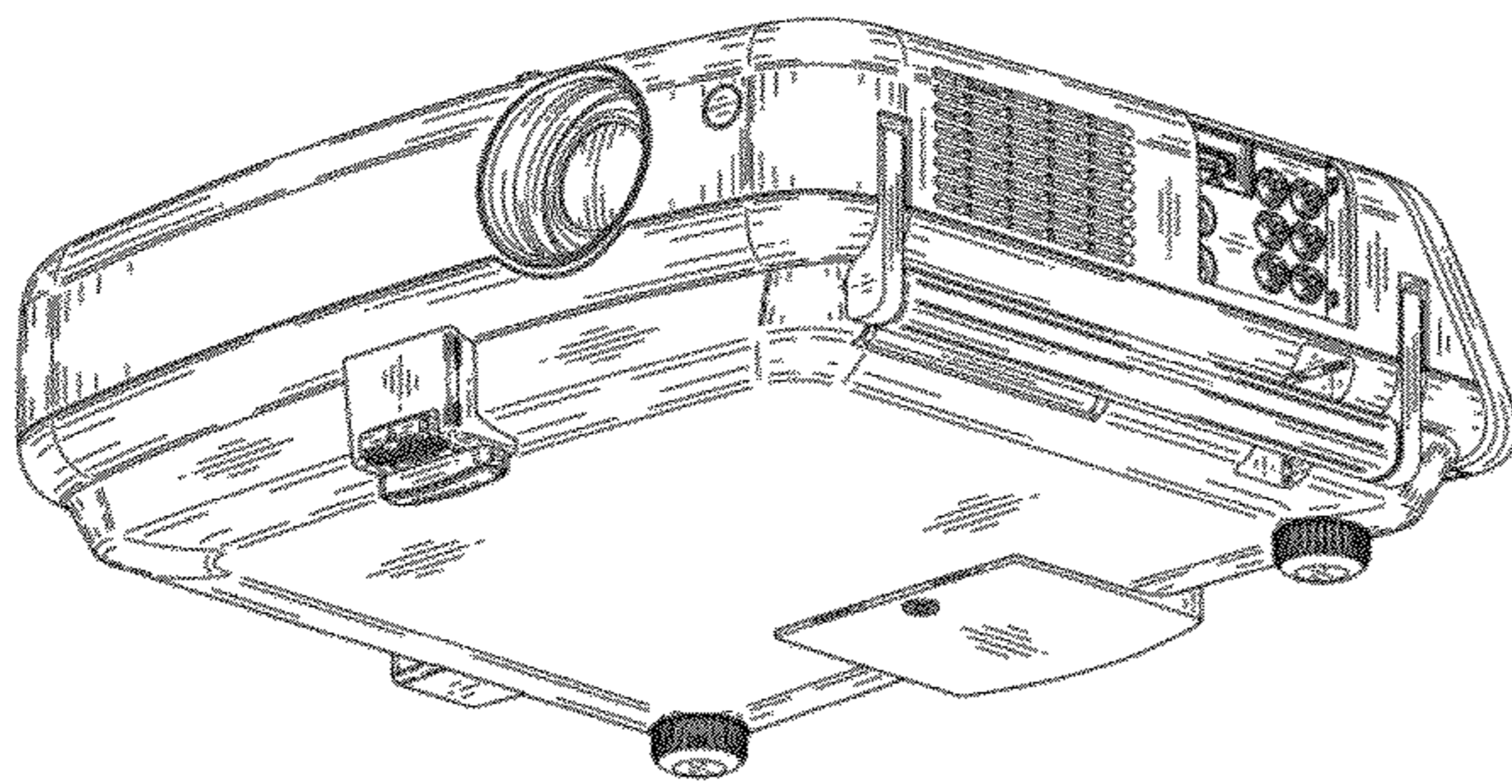
FIG. 7 is a top view thereof;

FIG. 8 is a bottom view thereof; and,

FIG. 9 is a top, rear, left-side perspective view thereof with an unclaimed display device mounted thereon.

The broken lines shown the display device in FIG. 9 of the projector, which form no part of the claimed design.

1 Claim, 5 Drawing Sheets



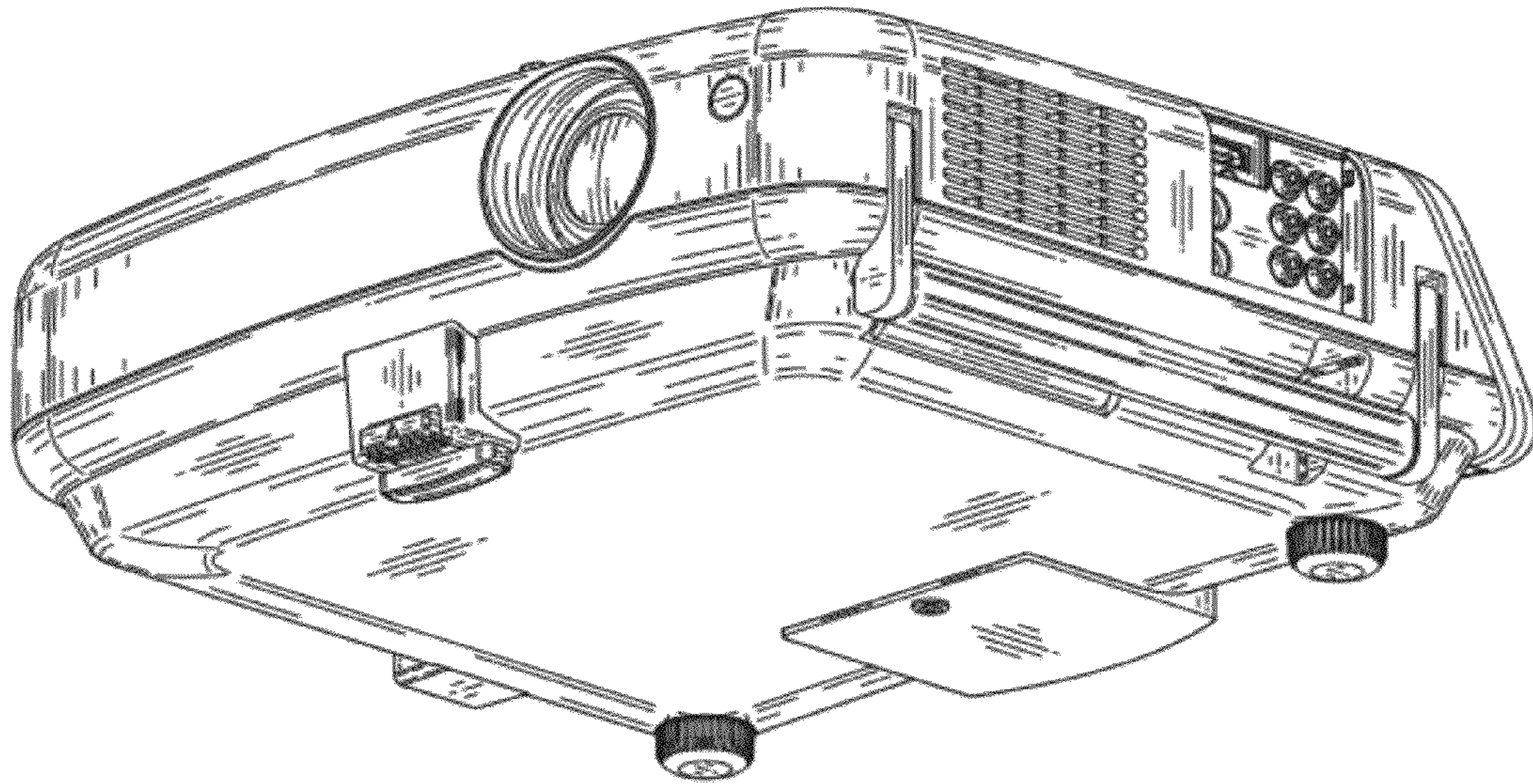


FIG. 1

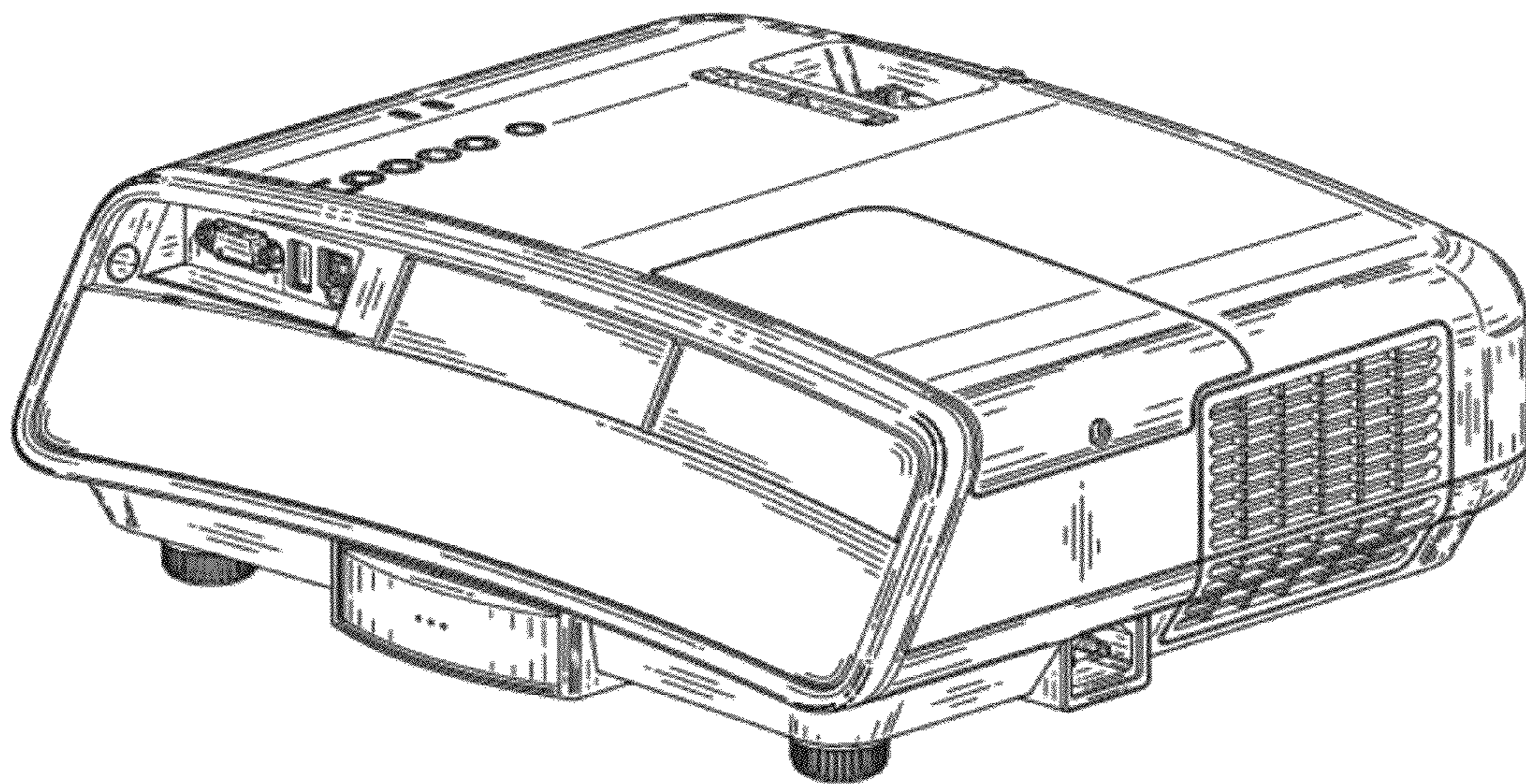


FIG. 2

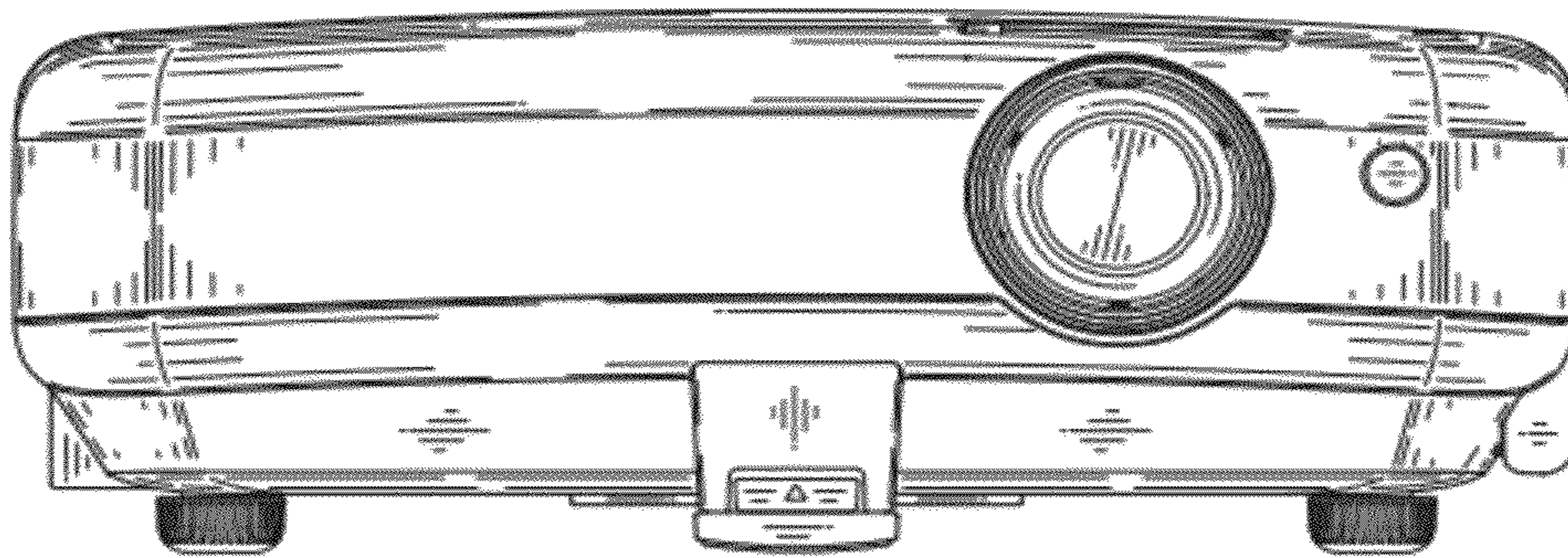


FIG. 3

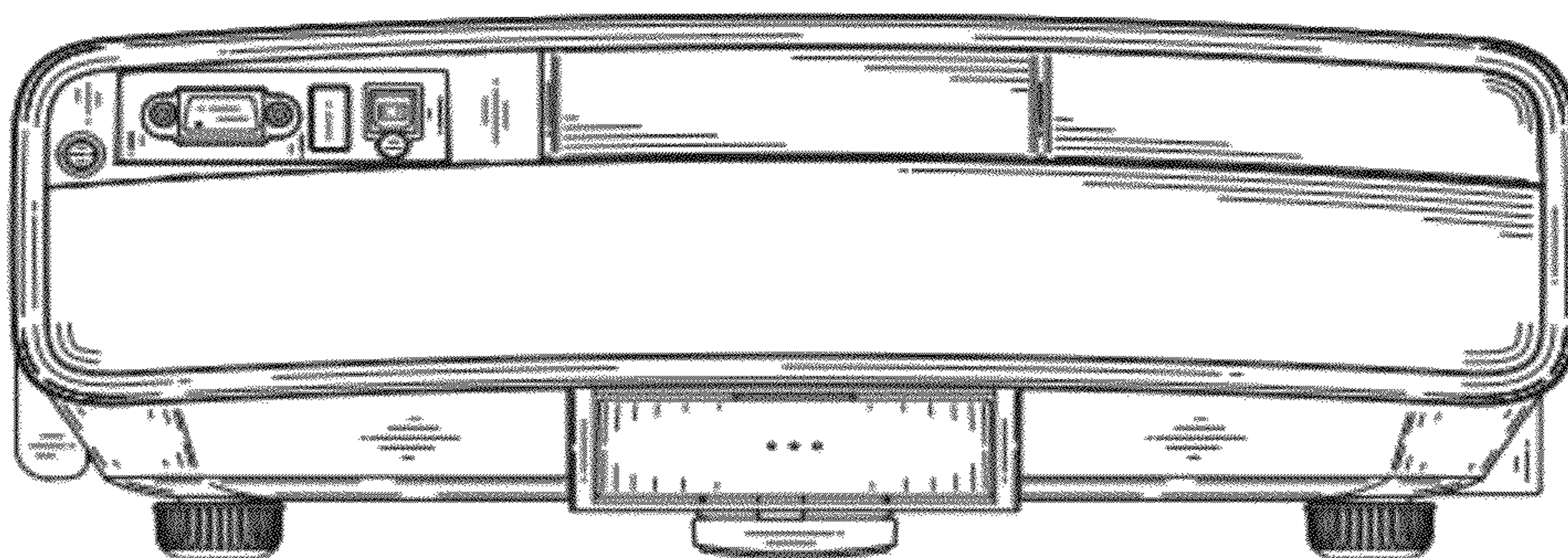


FIG. 4

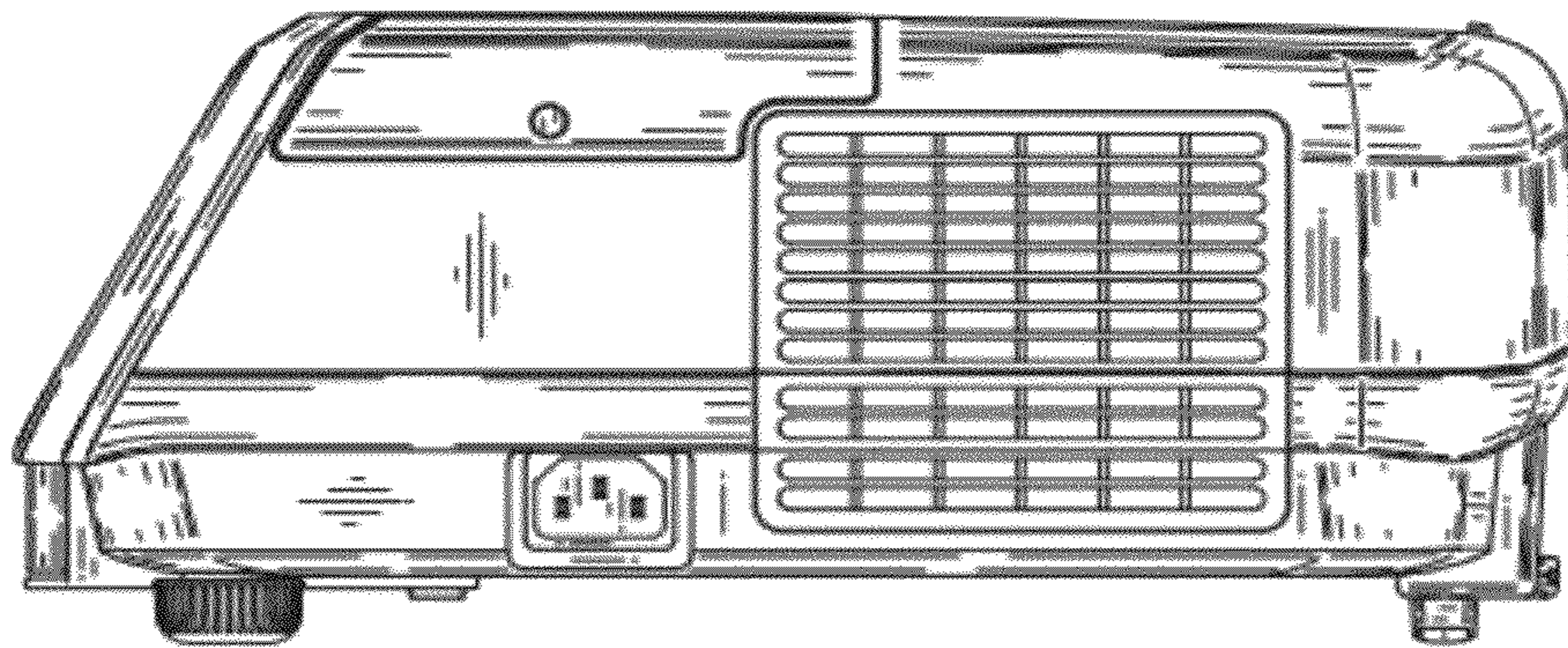


FIG. 5

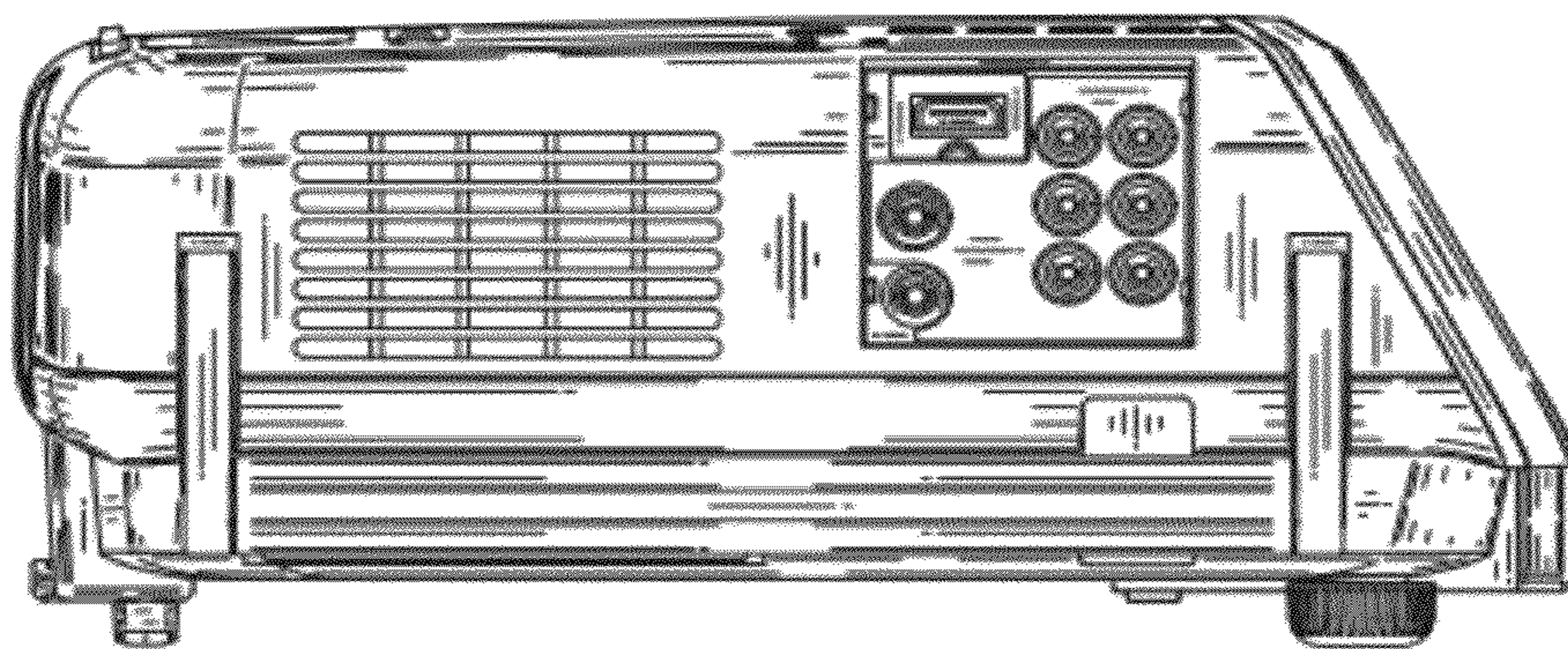


FIG. 6

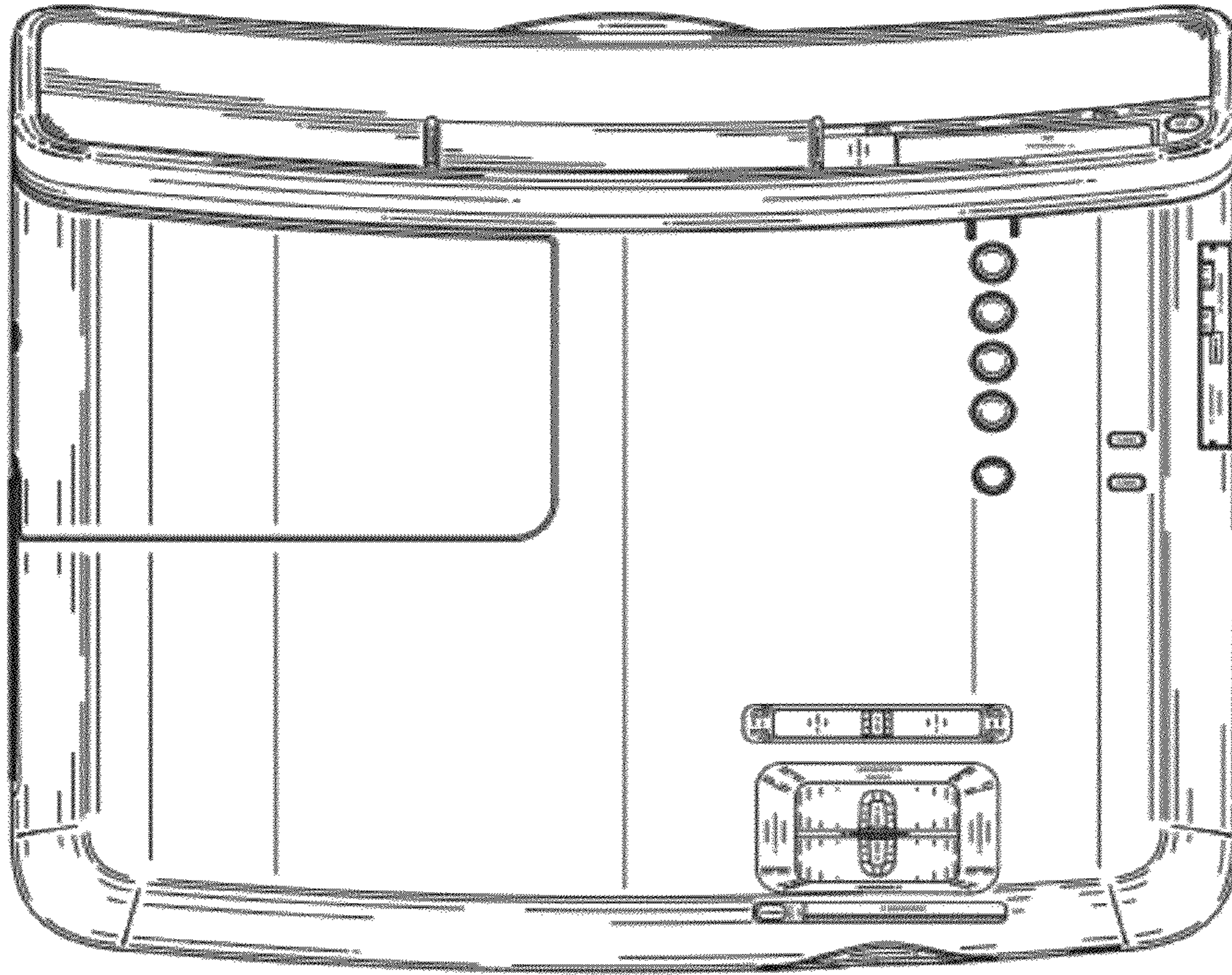


FIG. 7

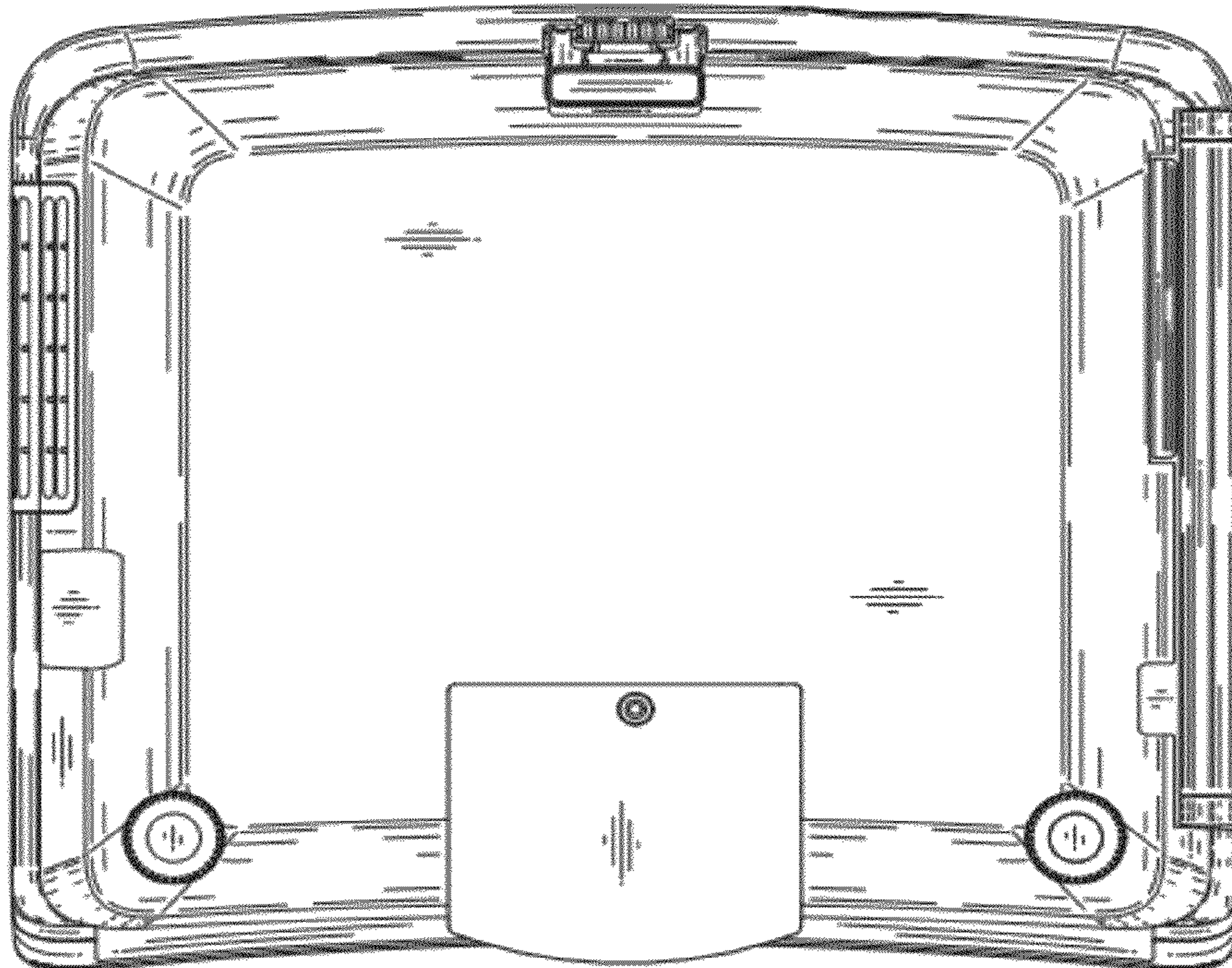


FIG. 8

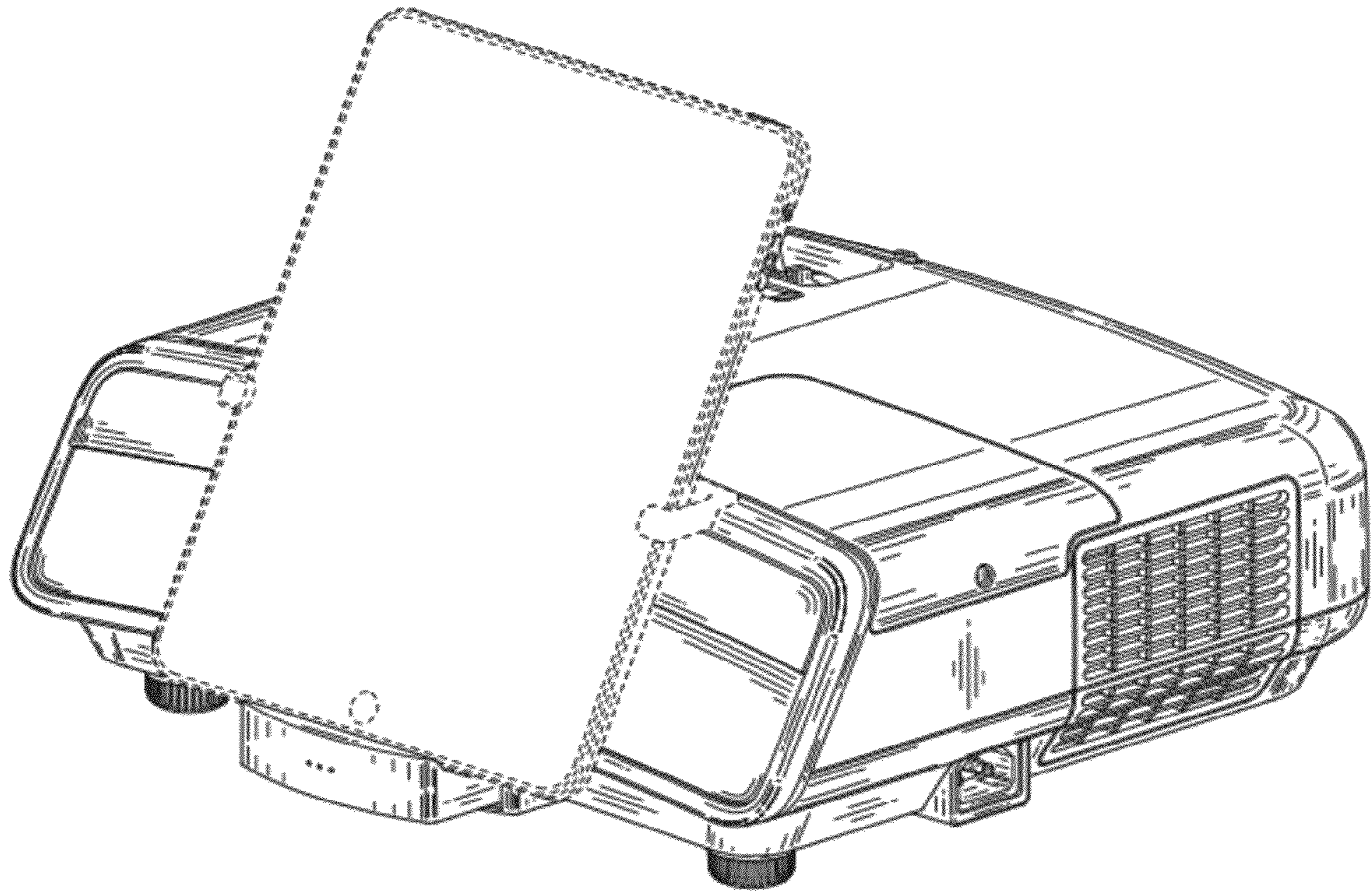


FIG. 9