



US00D663345S

(12) **United States Design Patent**
Tanifuji

(10) **Patent No.:** **US D663,345 S**
(45) **Date of Patent:** **** Jul. 10, 2012**

(54) **PORTION OF CAMCORDER**

(75) Inventor: **Shuji Tanifuji**, Kanagawaken (JP)
(73) Assignee: **JVC Kenwood Corporation**, Yokohama (JP)
(**) Term: **14 Years**

(21) Appl. No.: **29/397,403**

(22) Filed: **Jul. 15, 2011**

(51) **LOC (9) Cl.** **16-05**

(52) **U.S. Cl.** **D16/219; D16/202**

(58) **Field of Classification Search** D16/134,
D16/202, 203, 206, 218, 219; 348/373, 376;
396/529-531, 535

See application file for complete search history.

(56) **References Cited**

U.S. PATENT DOCUMENTS

D425,095	S *	5/2000	Watarai et al.	D16/217
D462,978	S *	9/2002	Nicklos et al.	D16/218
6,904,236	B2 *	6/2005	Terada et al.	396/535
D539,320	S *	3/2007	Tokiwa et al.	D16/219
D563,445	S *	3/2008	Sakai	D16/202
7,532,815	B2 *	5/2009	Miyake	396/529
7,832,951	B2 *	11/2010	Miyake	396/529
2011/0317990	A1 *	12/2011	Imafuji	396/529

FOREIGN PATENT DOCUMENTS

JP D1407239 S 1/2011

* cited by examiner

Primary Examiner — Adir Aronovich

(74) *Attorney, Agent, or Firm* — The Nath Law Group;
Jerald L. Meyer

(57) **CLAIM**

The ornamental design for a portion of camcorder, as shown and described.

DESCRIPTION

FIG. 1 is a perspective view of a portion of camcorder;
FIG. 2 is a front view thereof;
FIG. 3 is a rear view thereof;
FIG. 4 is a left side view thereof;
FIG. 5 is a right side view thereof;
FIG. 6 is a top plan view thereof; and,
FIG. 7 is a bottom plan view thereof.

The broken lines showing on the drawing disclosure are for illustrative purposes only and form no part of the claimed design. The dash-dot broken lines in all figures define the bounds of the claimed design and form no part thereof.

1 Claim, 5 Drawing Sheets

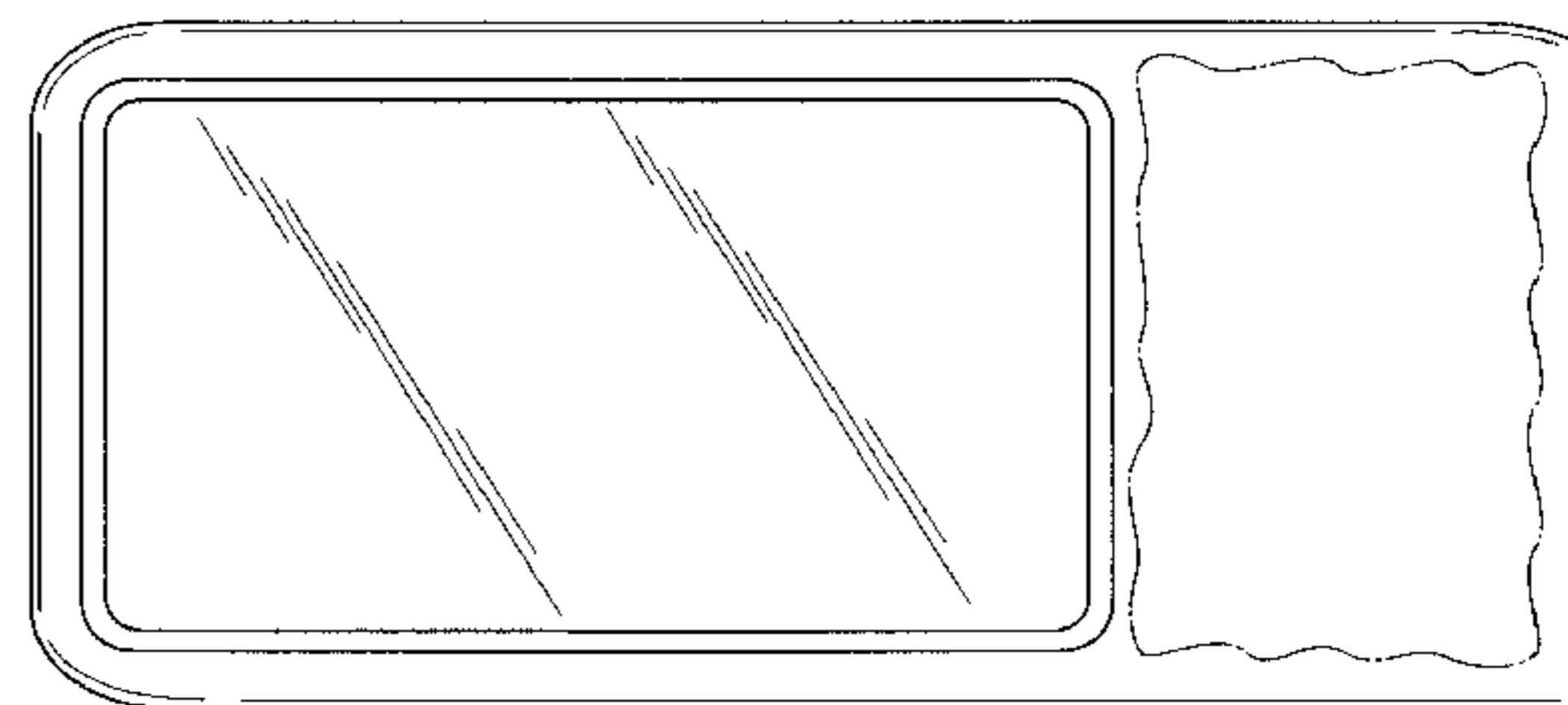
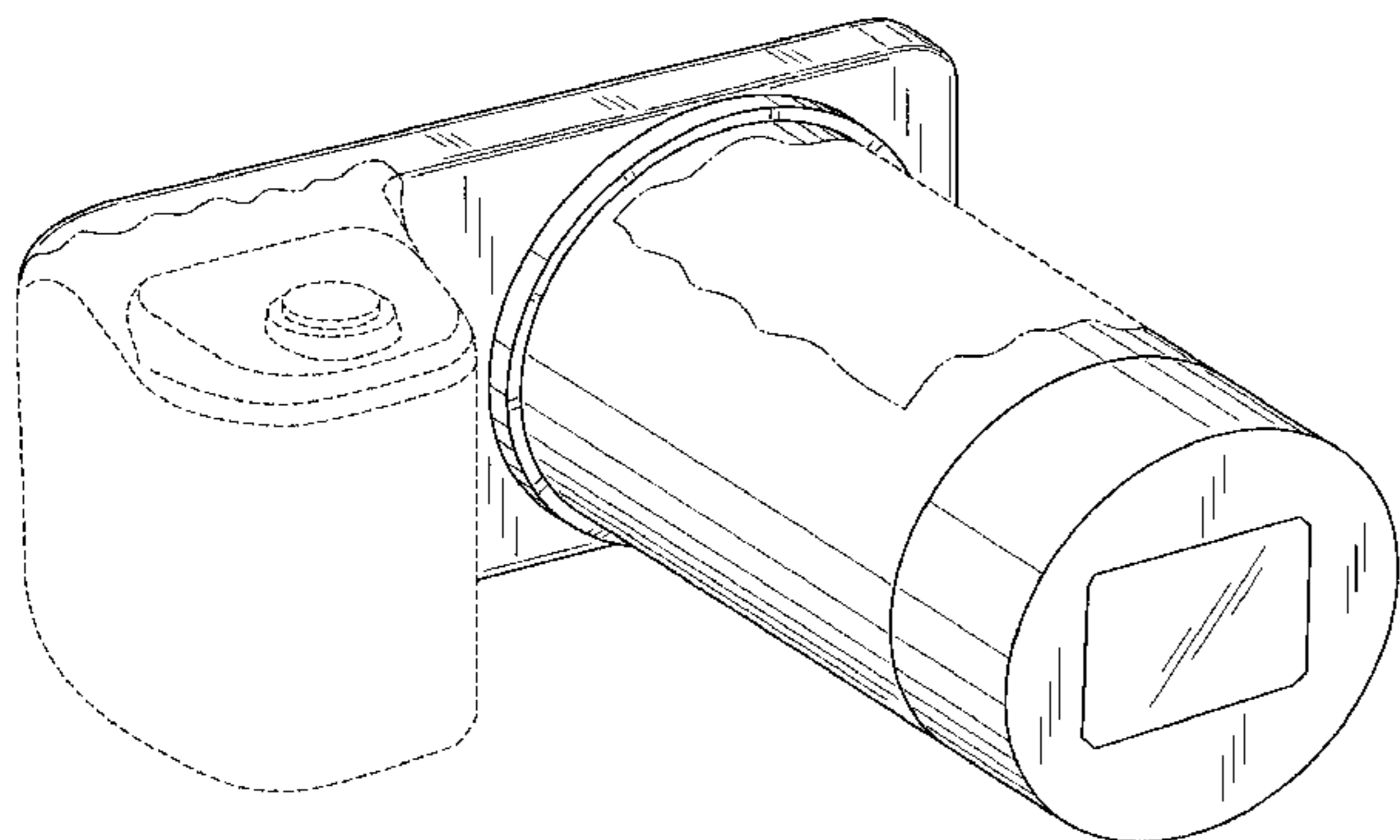


Fig.1

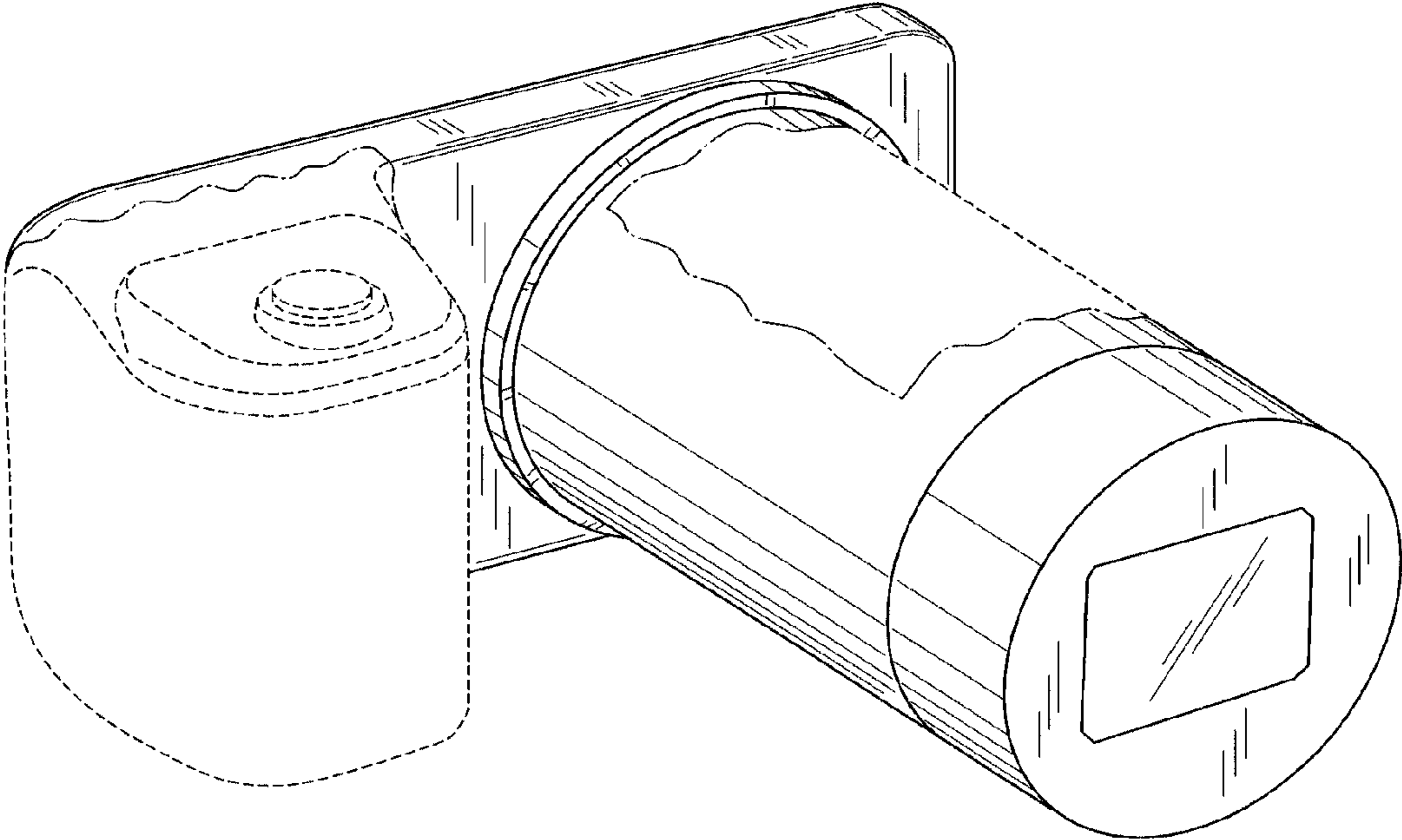


Fig.2

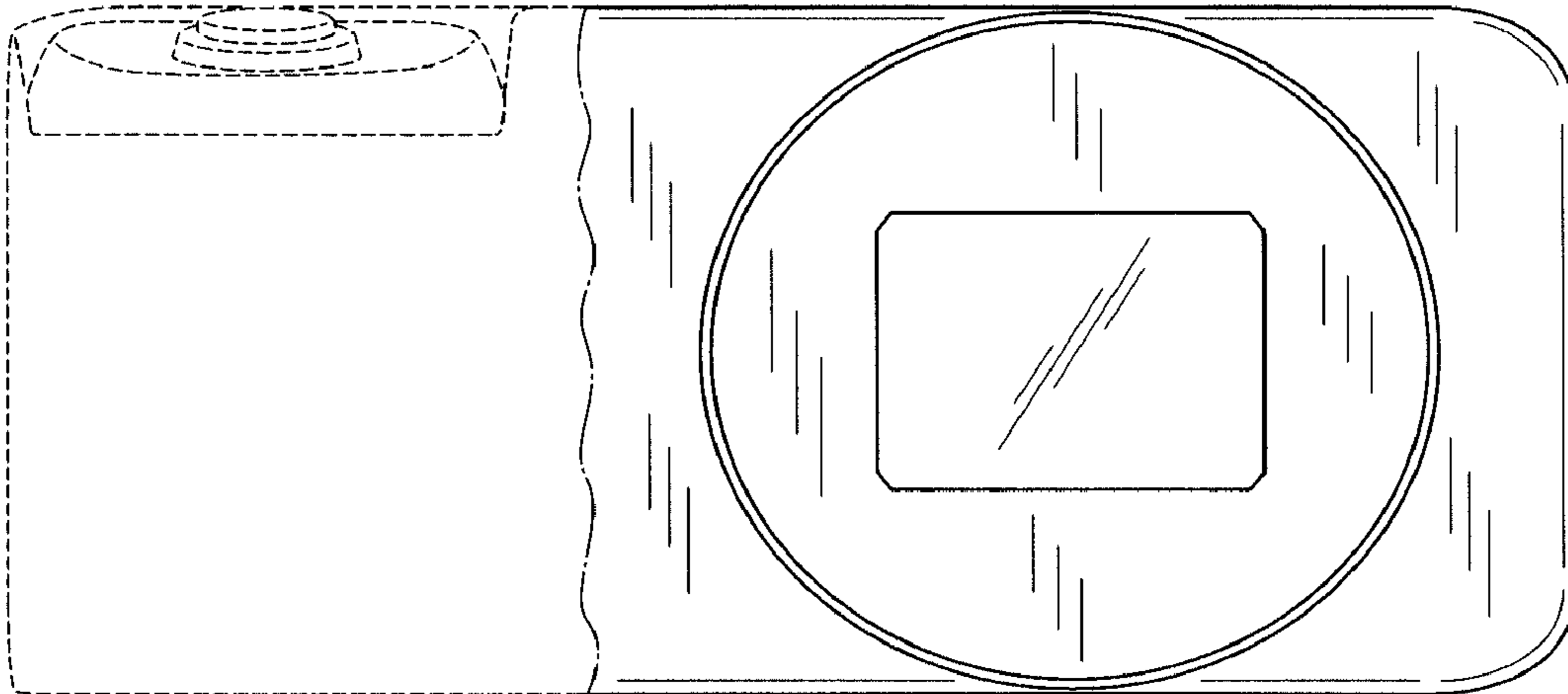


Fig.3

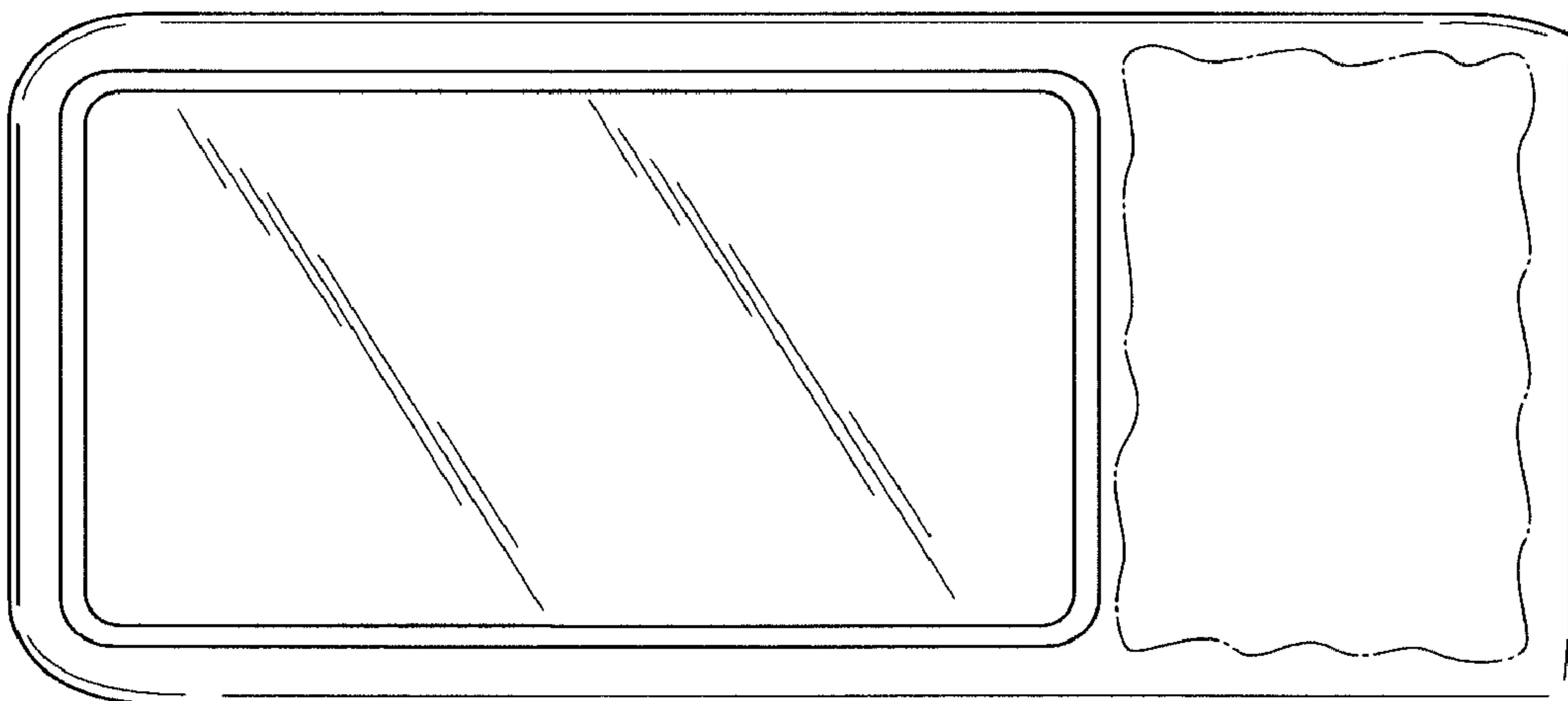


Fig.4

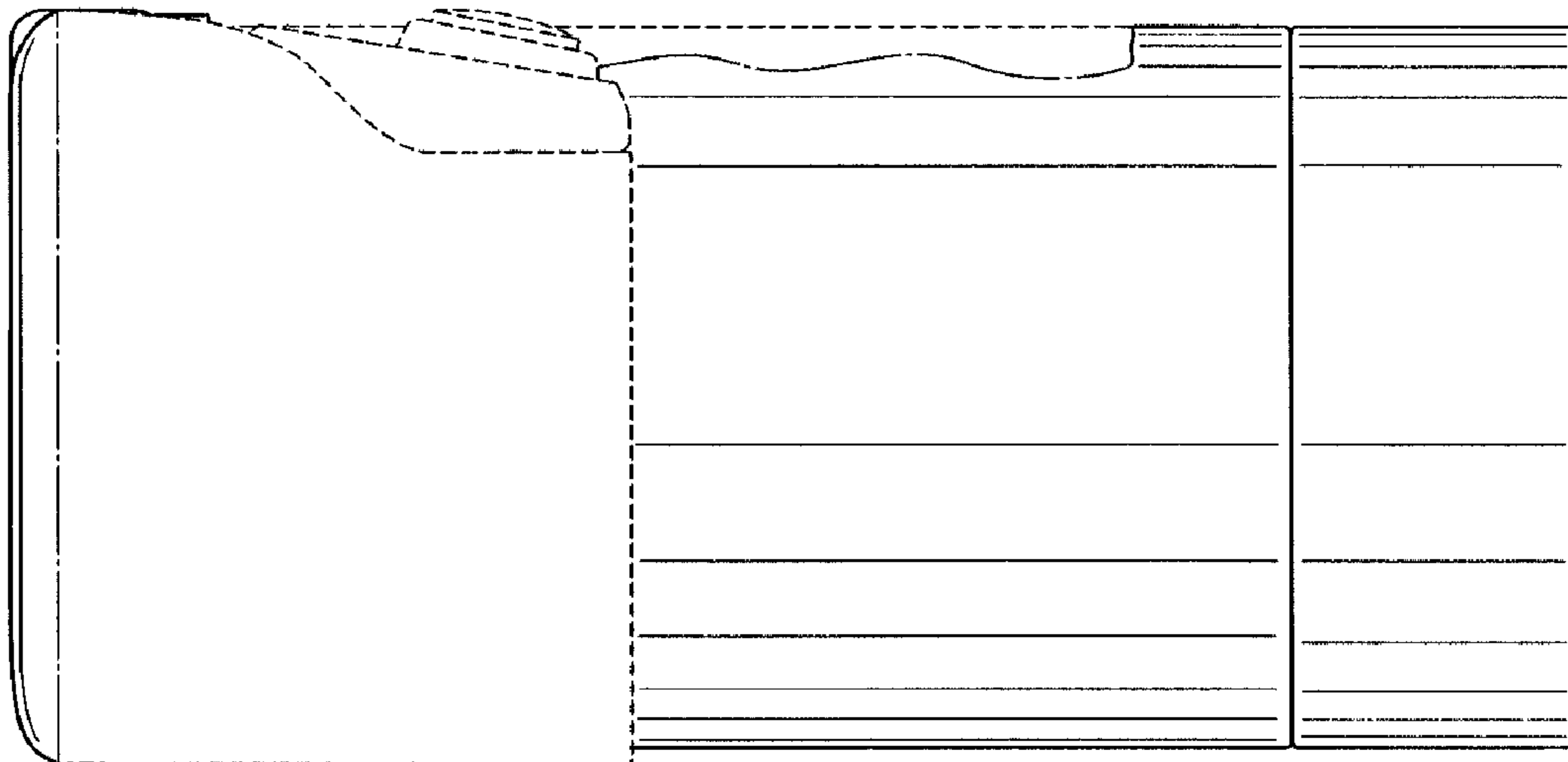


Fig.5

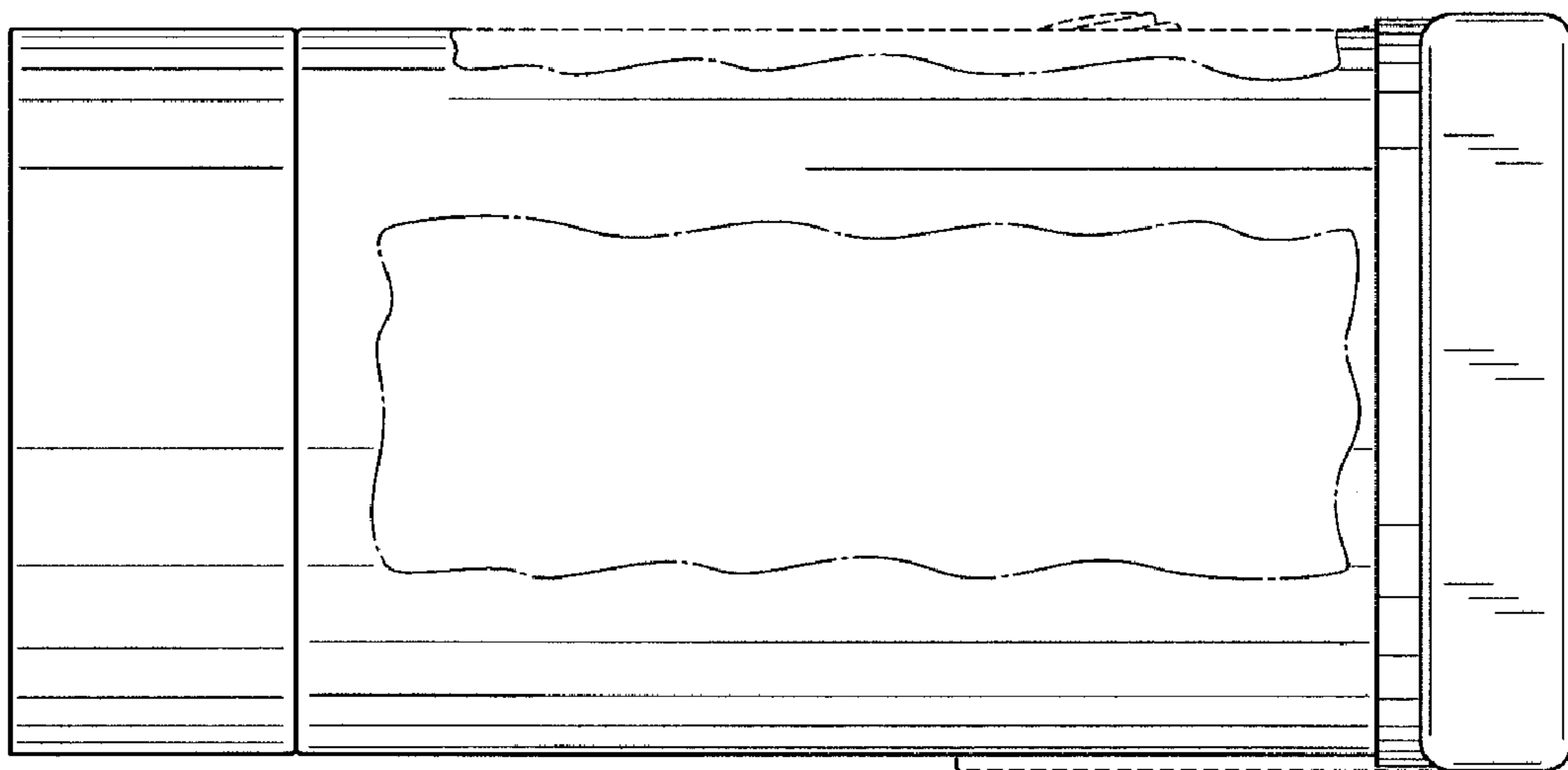


Fig.6

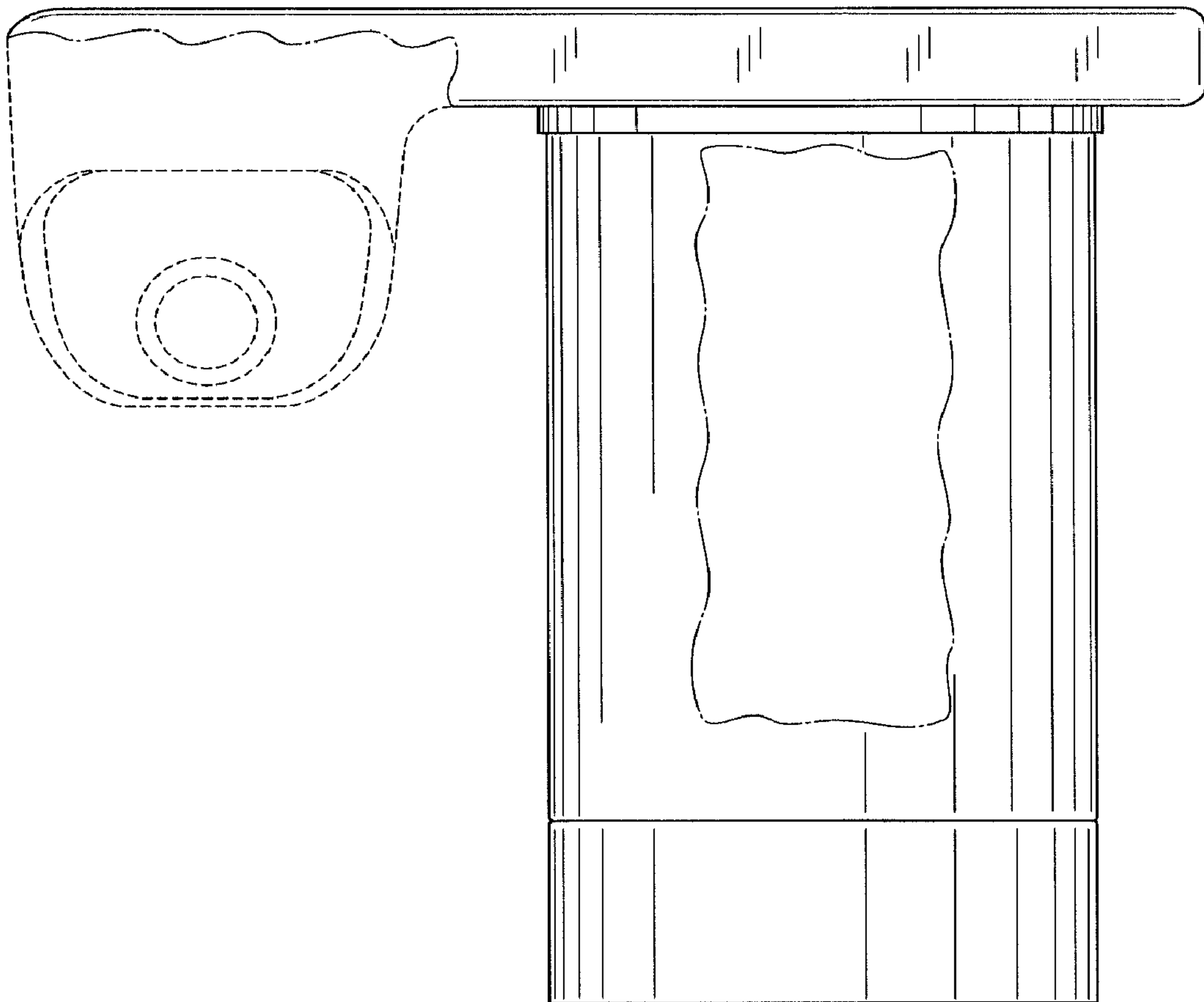


Fig.7

