



US00D663344S

(12) **United States Design Patent**
Yasue et al.

(10) **Patent No.:** **US D663,344 S**
(45) **Date of Patent:** **** Jul. 10, 2012**

(54) **PORTION OF A CAMERA FOR MEDICAL USE**

(75) Inventors: **Masashi Yasue**, Nishitokyo (JP);
Reisuke Osada, Hachioji (JP)

(73) Assignee: **Olympus Medical Systems Corp.**,
Tokyo (JP)

(**) Term: **14 Years**

(21) Appl. No.: **29/385,288**

(22) Filed: **Feb. 11, 2011**

(30) **Foreign Application Priority Data**

Aug. 20, 2010 (JP) 2010-020144

(51) **LOC (9) Cl.** **16-05**

(52) **U.S. Cl.** **D16/219; D24/138**

(58) **Field of Classification Search** D16/200-205,
D16/208, 219; D24/133, 137, 138; 348/45,
348/65, 376; 396/535, 540, 541; 600/101,
600/118, 122

See application file for complete search history.

(56) **References Cited**

U.S. PATENT DOCUMENTS

5,662,584 A *	9/1997	Hori et al.	348/65
D501,864 S *	2/2005	Greise et al.	D16/219
D523,455 S *	6/2006	Greise et al.	D24/138
D607,032 S *	12/2009	Halleck et al.	D16/202
7,852,371 B2 *	12/2010	Konstorum et al.	348/65
D643,534 S *	8/2011	Halleck et al.	D16/202
D651,312 S *	12/2011	Halleck et al.	D24/138

* cited by examiner

Primary Examiner — Adir Aronovich

(74) *Attorney, Agent, or Firm* — Holtz, Holtz, Goodman & Chick, PC

(57) **CLAIM**

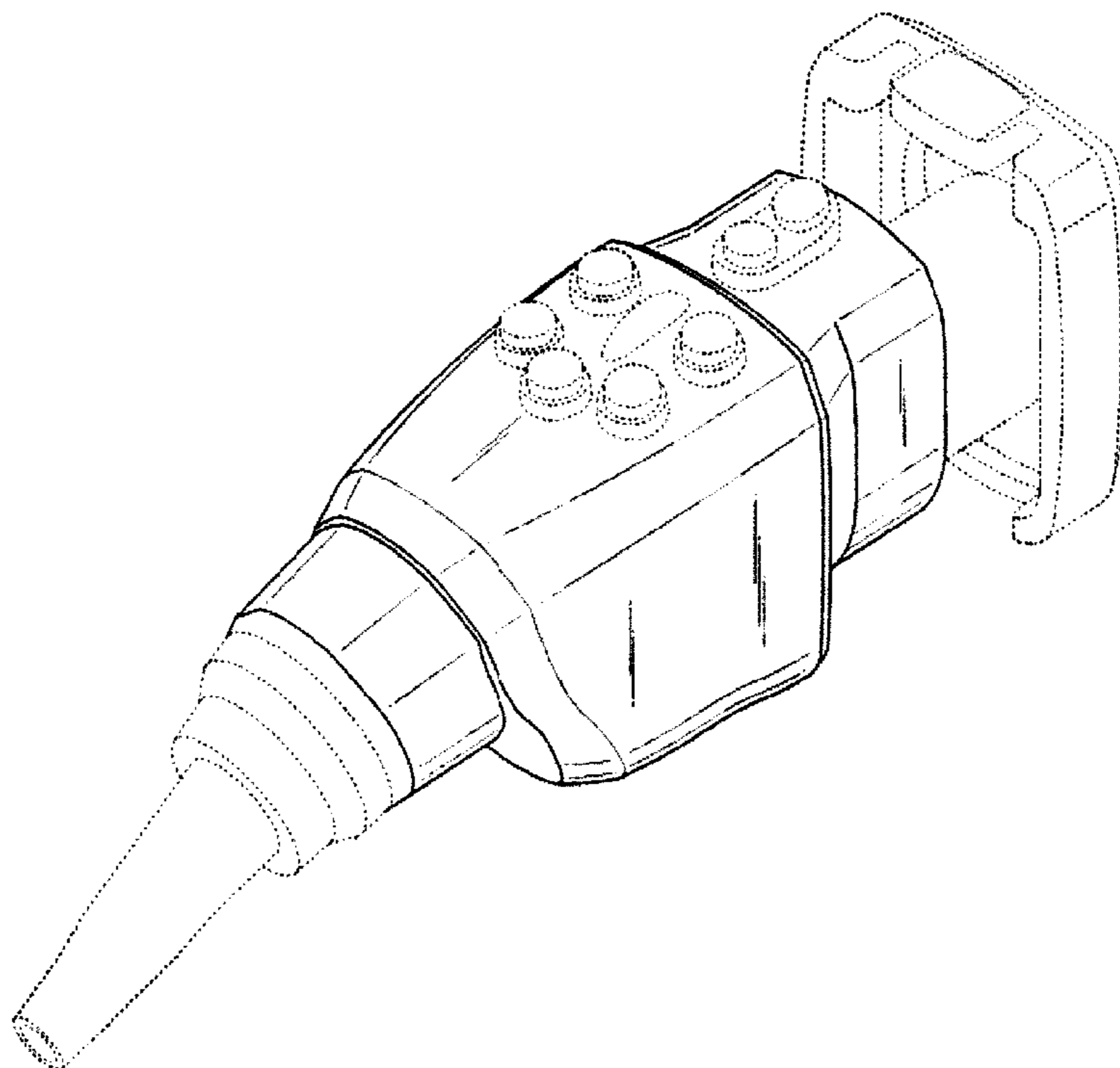
The ornamental design for a portion of a camera for medical use, as shown and described.

DESCRIPTION

FIG. 1 is a front, top and left side perspective view of a portion of a camera for medical use, showing our new design; FIG. 2 is a front elevational view thereof; FIG. 3 is a rear elevational view thereof; FIG. 4 is a top plan view thereof; FIG. 5 is a bottom plan view thereof; FIG. 6 is a right side elevational view thereof; and, FIG. 7 is a left side elevational view thereof.

The broken lines are for illustrative purposes only and form no part of the claimed design.

1 Claim, 4 Drawing Sheets



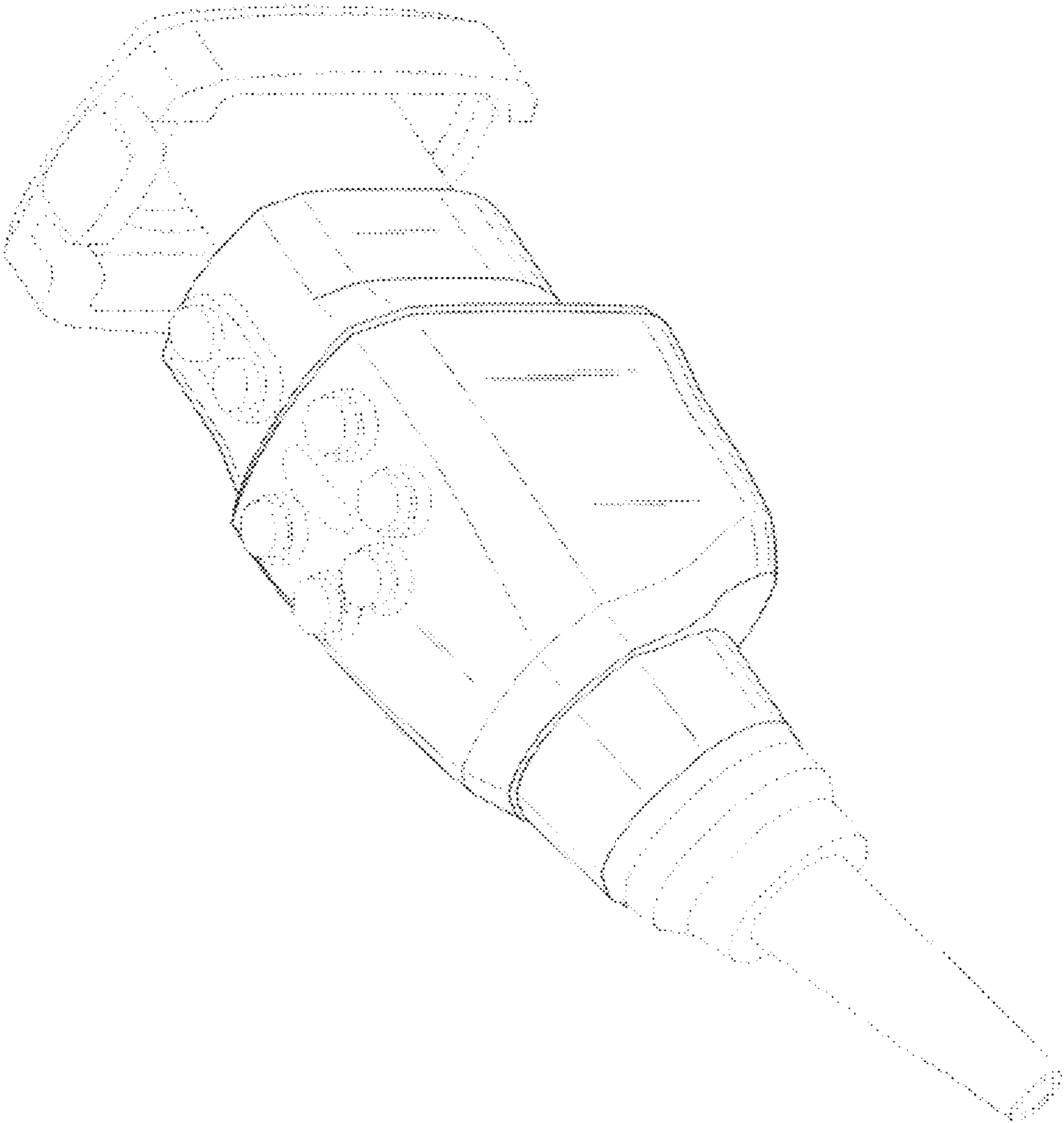


Fig. 1

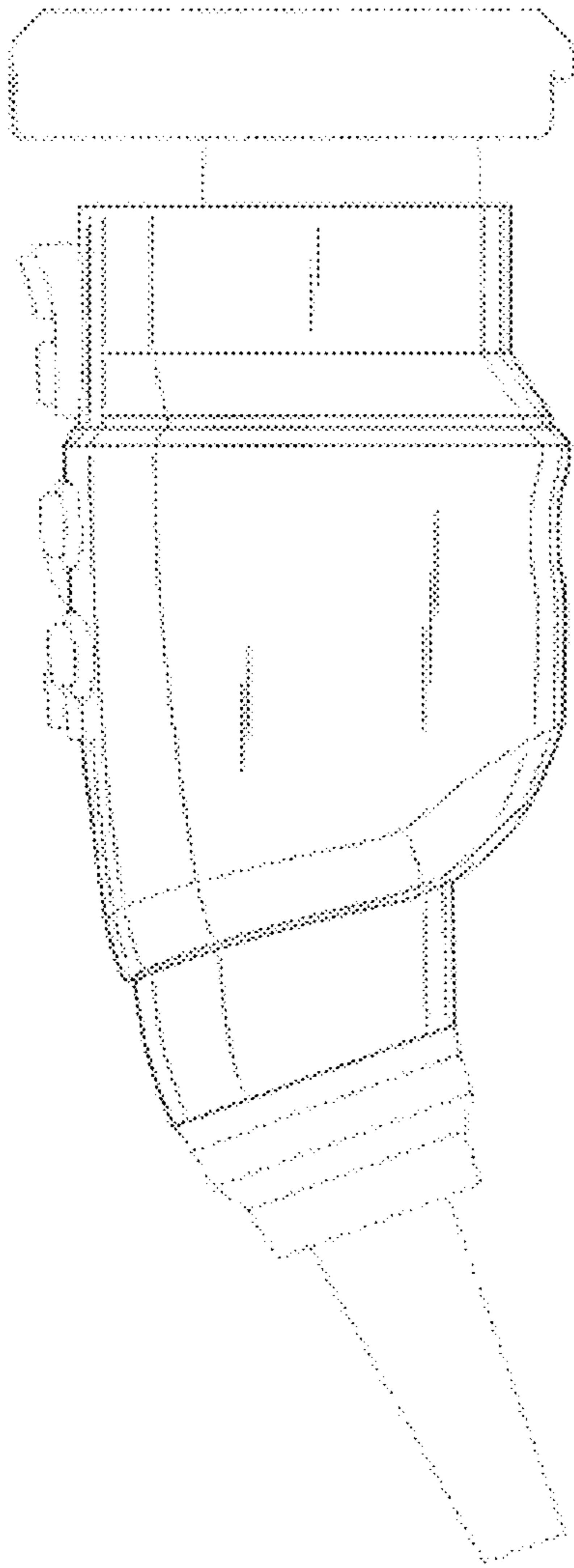


Fig. 2

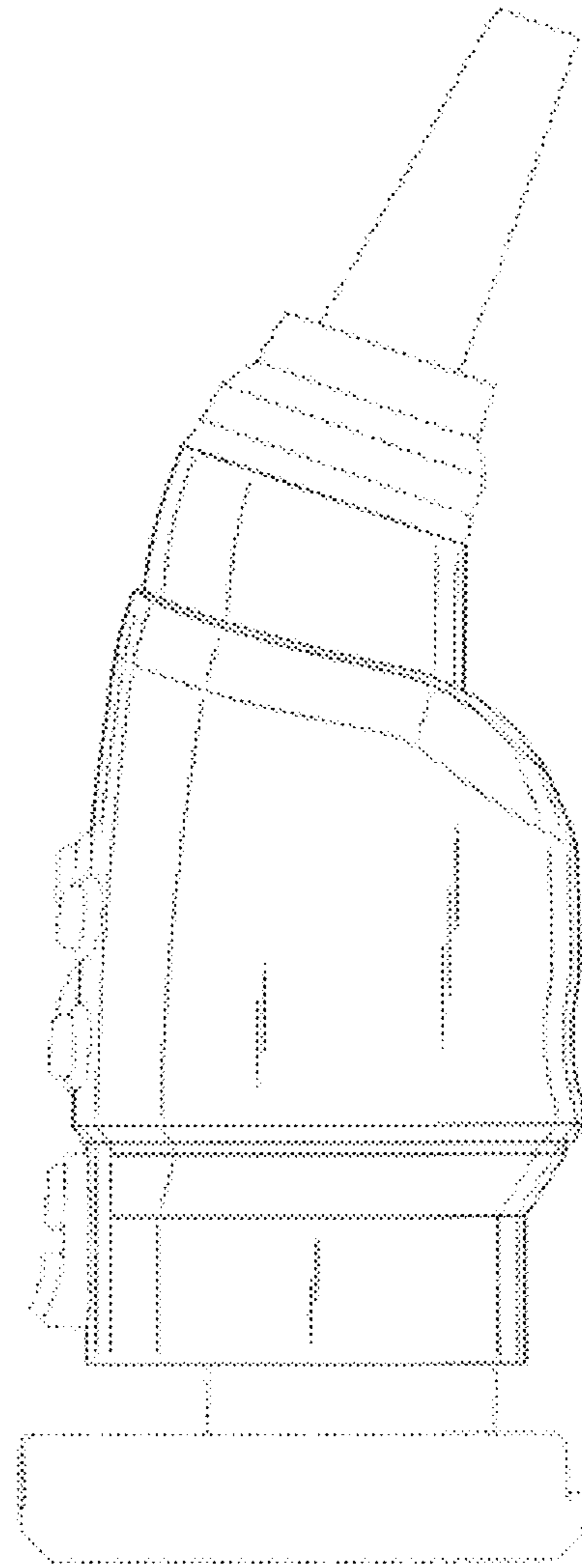


Fig. 3

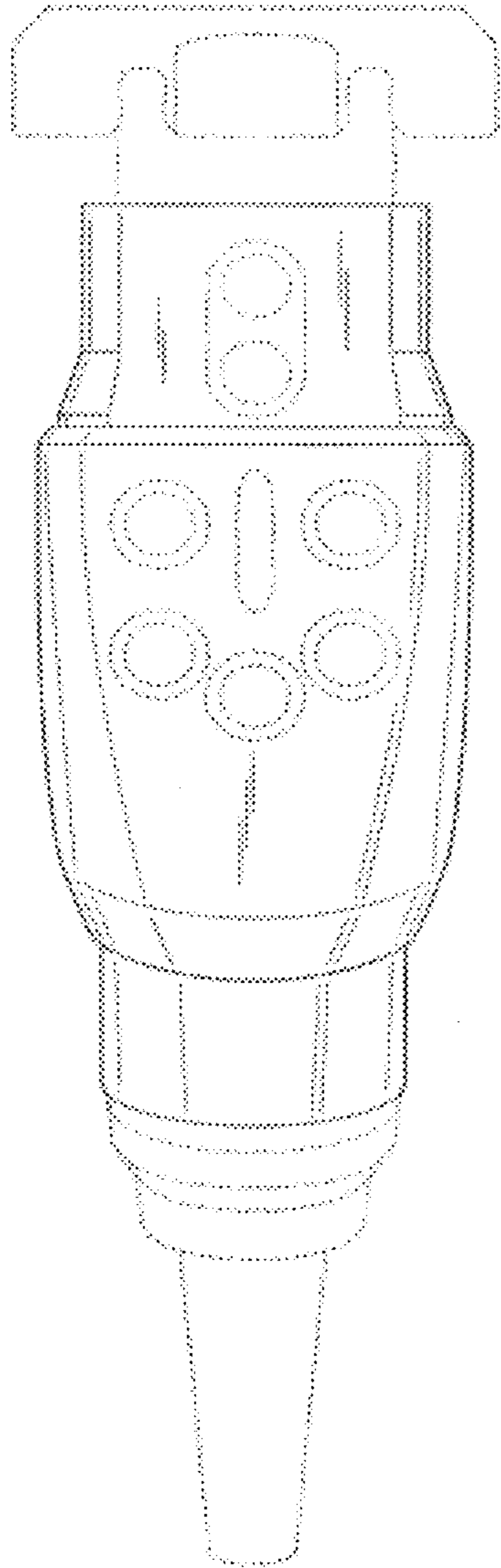


Fig. 4

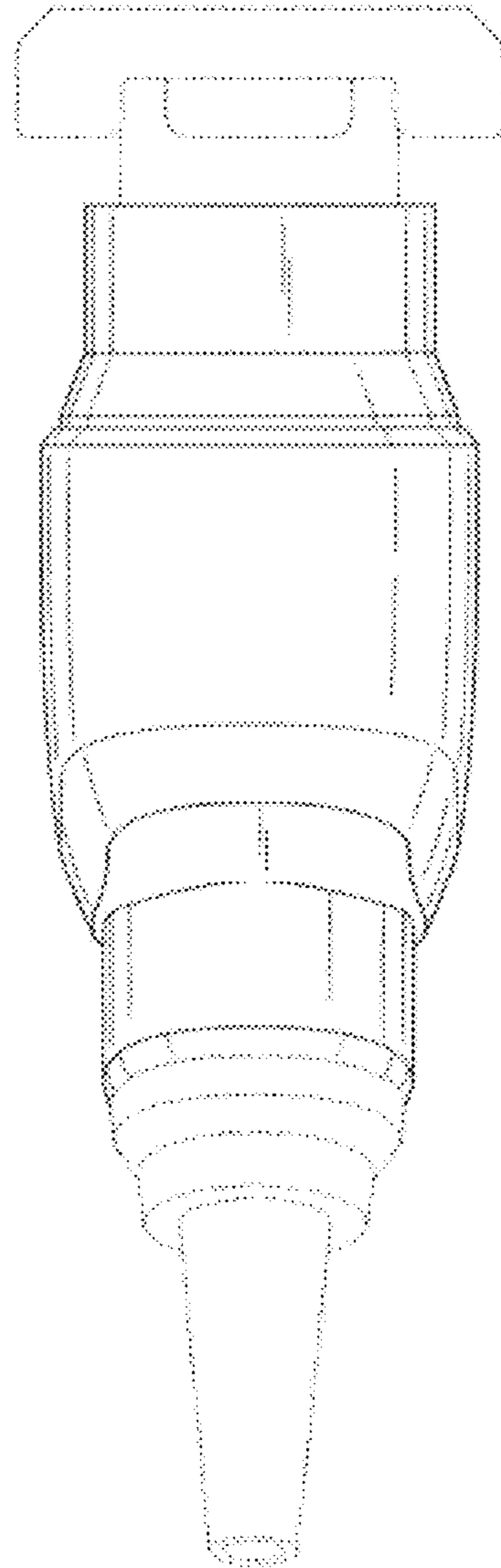


Fig. 5

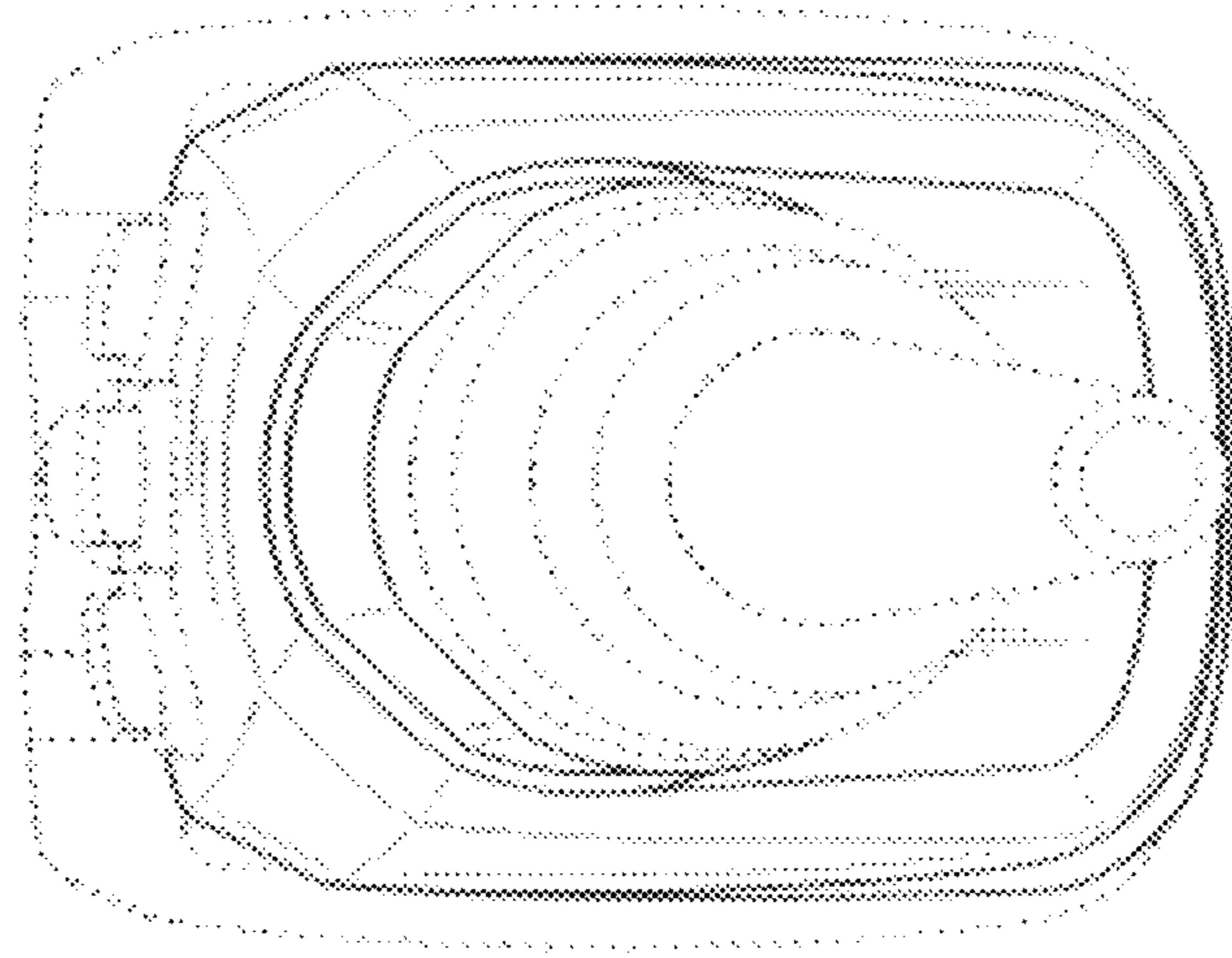


Fig. 6

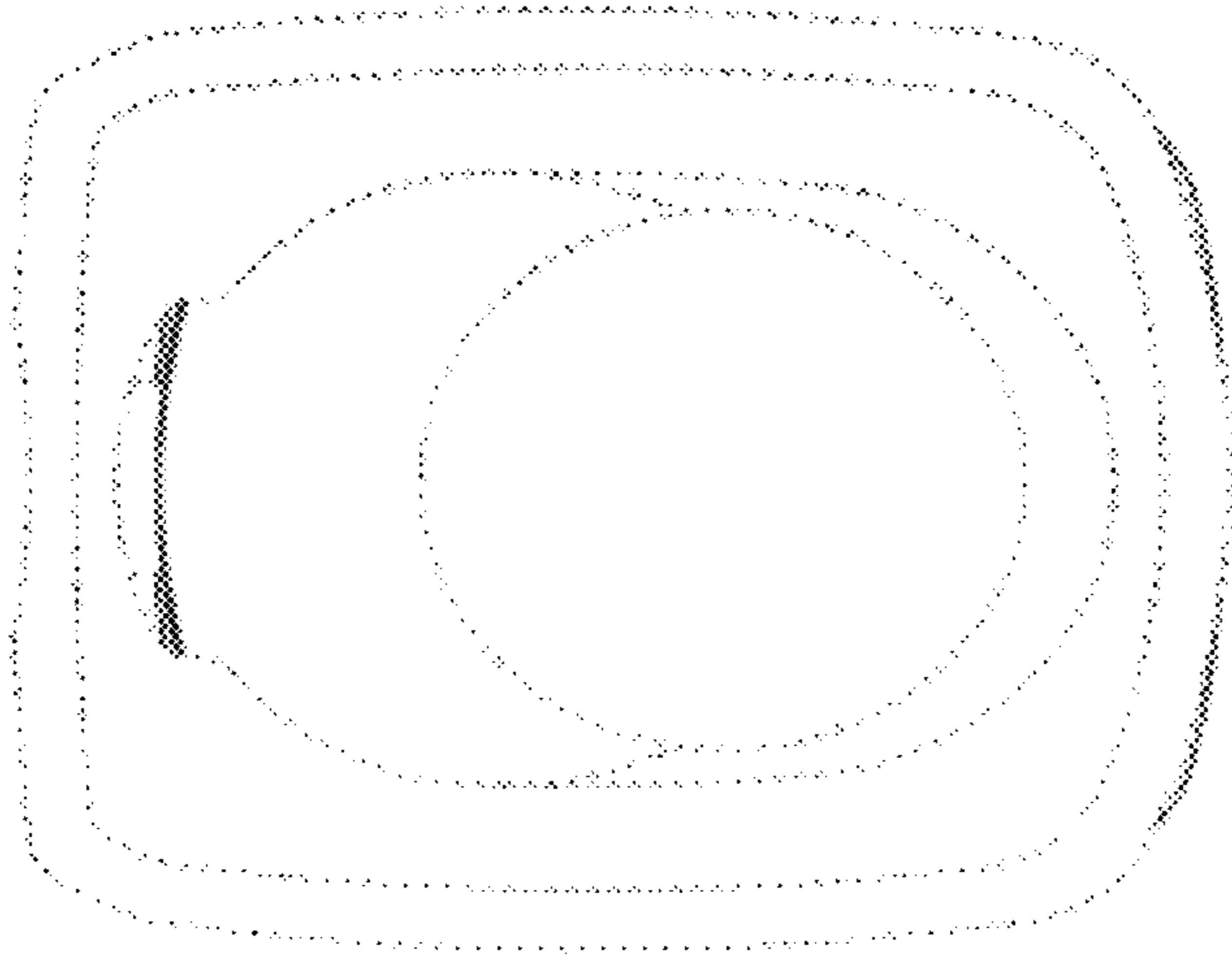


Fig. 7