

US00D663343S

(12) **United States Design Patent**  
**Choi**

(10) **Patent No.:** **US D663,343 S**  
(45) **Date of Patent:** **\*\* Jul. 10, 2012**

(54) **CAMCORDER**

(75) Inventor: **Shaun Seongwon Choi**, New Territories  
(HK)

(73) Assignee: **Koninklijke Philips Electronics N.V.**,  
Eindhoven (NL)

(\*\*) Term: **14 Years**

(21) Appl. No.: **29/399,062**

(22) Filed: **Aug. 9, 2011**

(30) **Foreign Application Priority Data**

Feb. 9, 2011 (EM) ..... 001818907-0002

(51) **LOC (9) Cl.** ..... **16-01**

(52) **U.S. Cl.** ..... **D16/202**

(58) **Field of Classification Search** ..... D16/200–205,  
D16/206, 208, 218; 348/373–376; 358/906;  
396/535–541

See application file for complete search history.

(56) **References Cited**

U.S. PATENT DOCUMENTS

6,727,954	B1 *	4/2004	Okada et al. ....	348/374
6,912,005	B2 *	6/2005	Senda .....	348/333.06
7,092,626	B2 *	8/2006	Hirai .....	396/429
D552,142	S *	10/2007	Chung .....	D16/202
D563,449	S *	3/2008	Kinemura et al. ....	D16/202
D571,842	S *	6/2008	Kinemura et al. ....	D16/202
D598,943	S *	8/2009	Kinemura et al. ....	D16/202
D609,728	S *	2/2010	Tashima .....	D16/202
D634,764	S *	3/2011	Obata et al. ....	D16/206

\* cited by examiner

*Primary Examiner* — Adir Aronovich

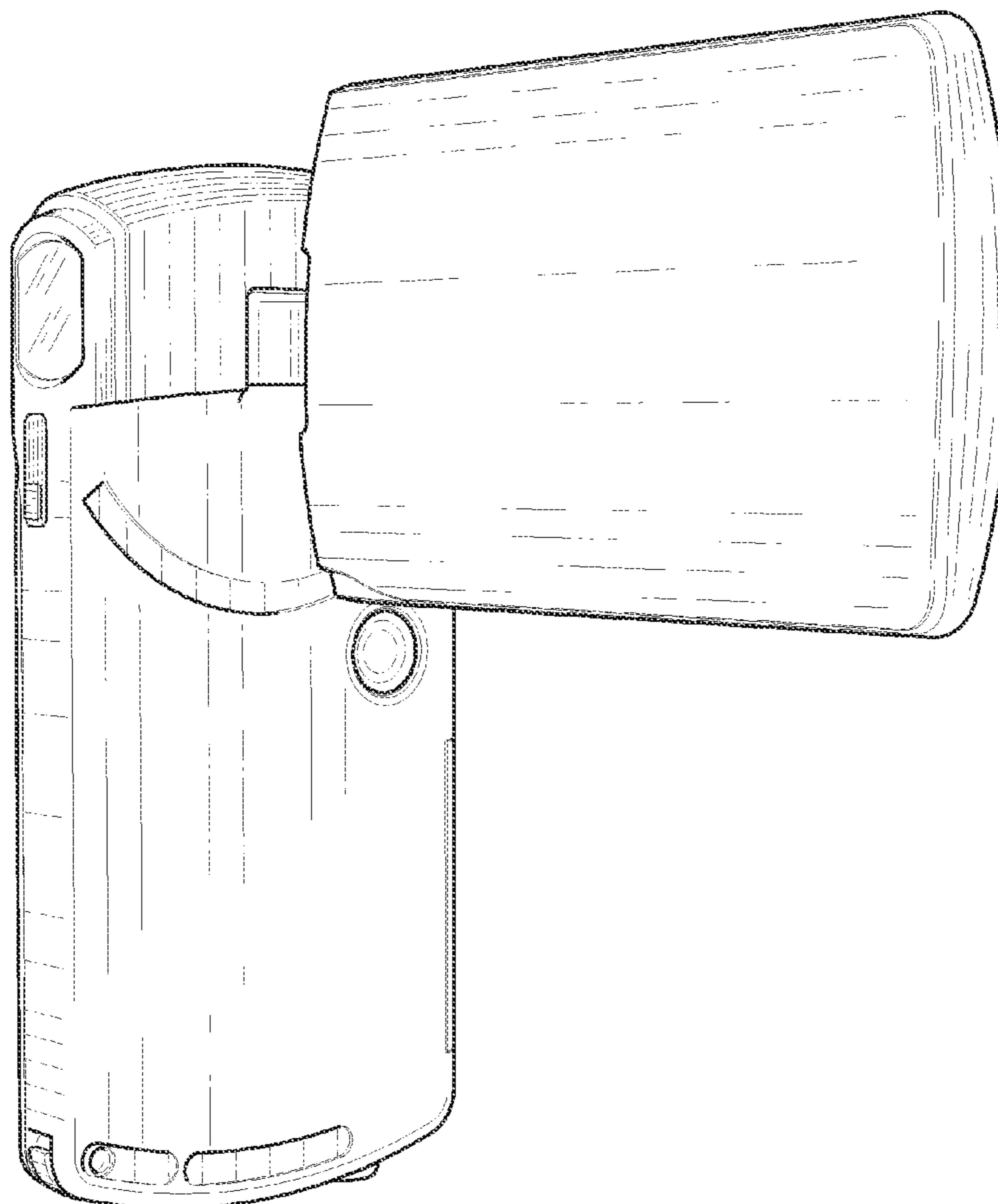
(57) **CLAIM**

The ornamental design for a camcorder, as shown.

**DESCRIPTION**

FIG. 1 is a perspective view of a camcorder showing my new design;  
FIG. 2 is a front elevational view thereof;  
FIG. 3 is a rear elevational view thereof;  
FIG. 4 is a right side elevational view thereof;  
FIG. 5 is a left side elevational view thereof;  
FIG. 6 is a top plan view thereof; and,  
FIG. 7 is a bottom plan view thereof.

**1 Claim, 5 Drawing Sheets**



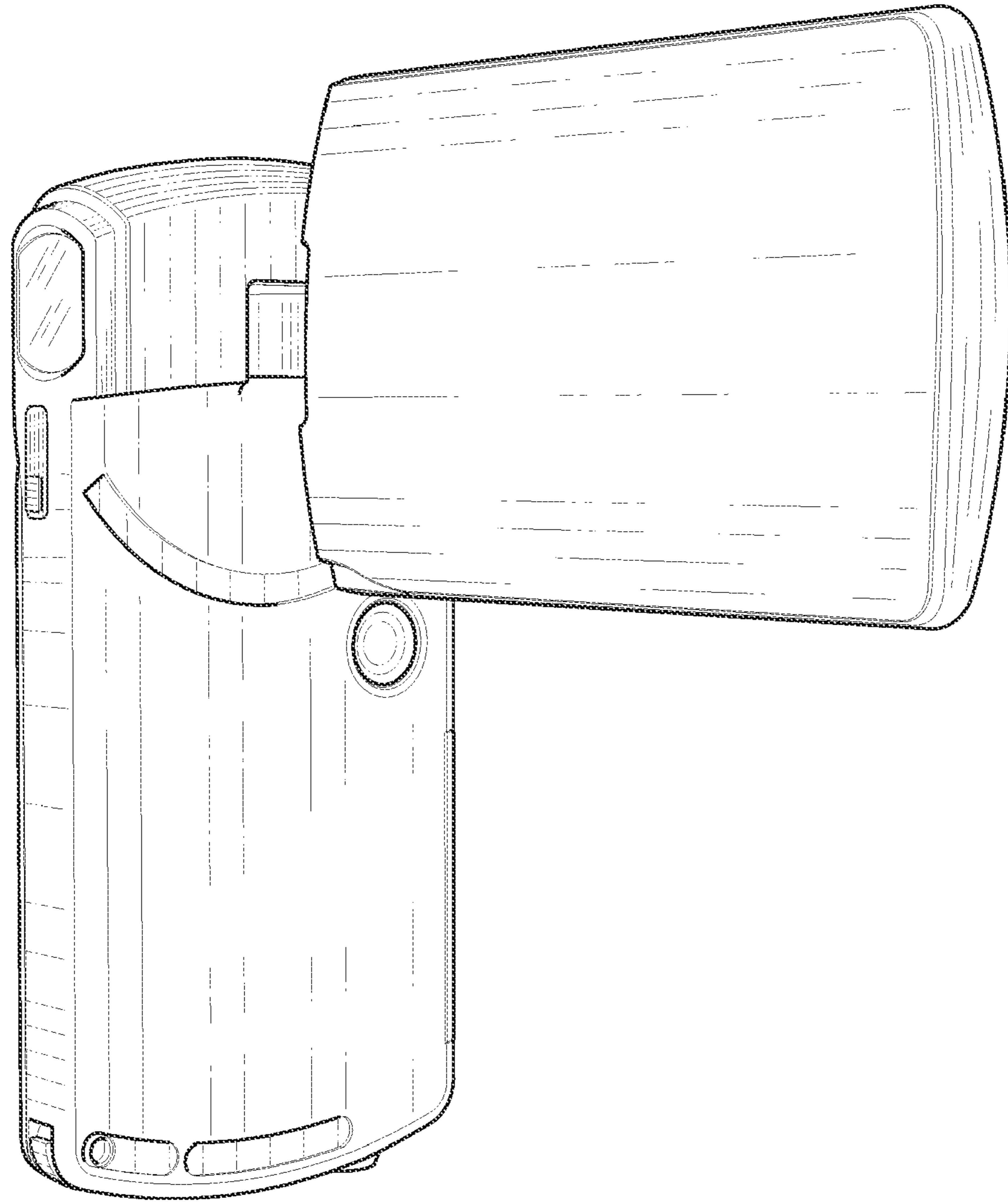


FIG. 1

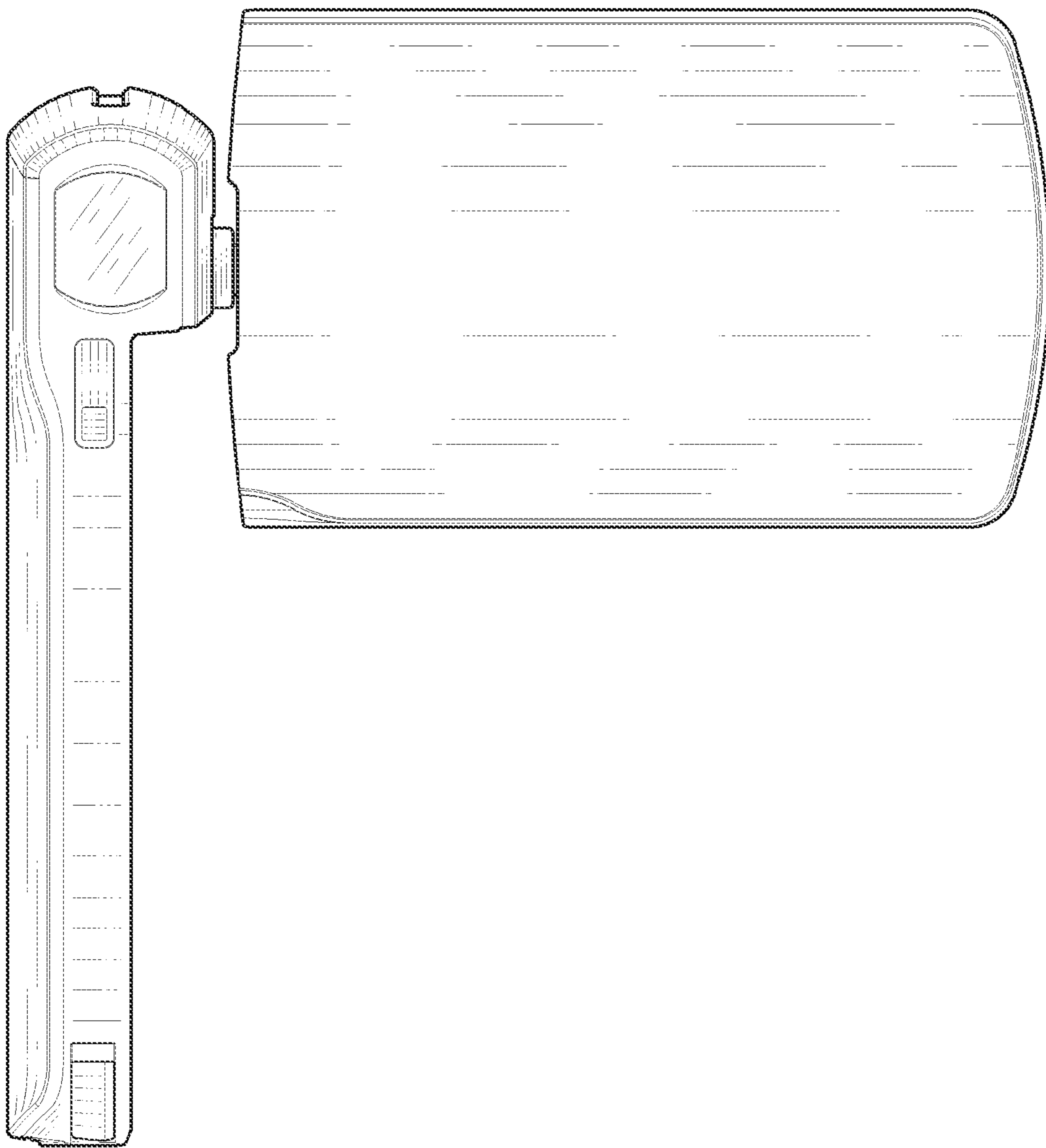


FIG. 2

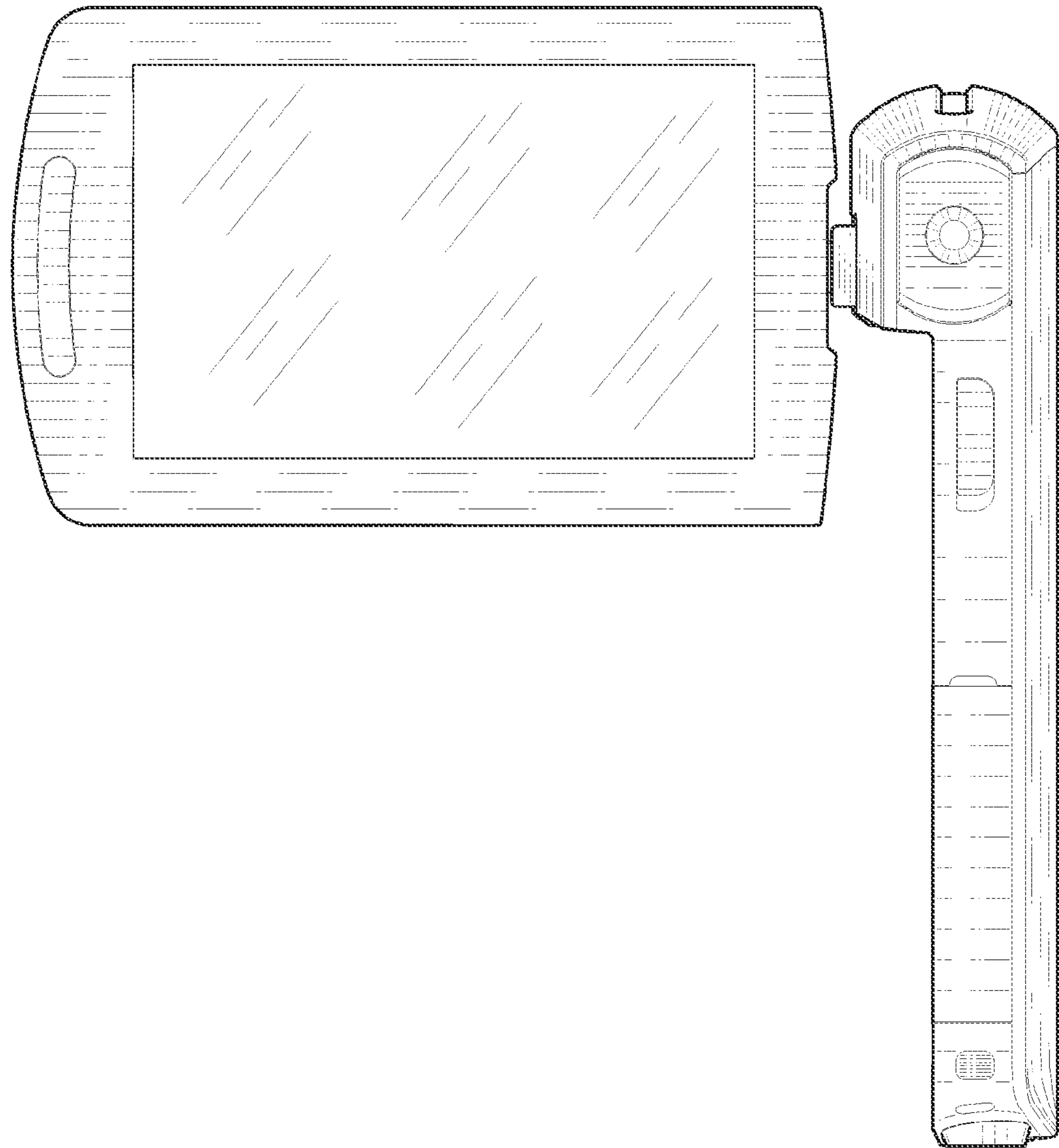


FIG. 3

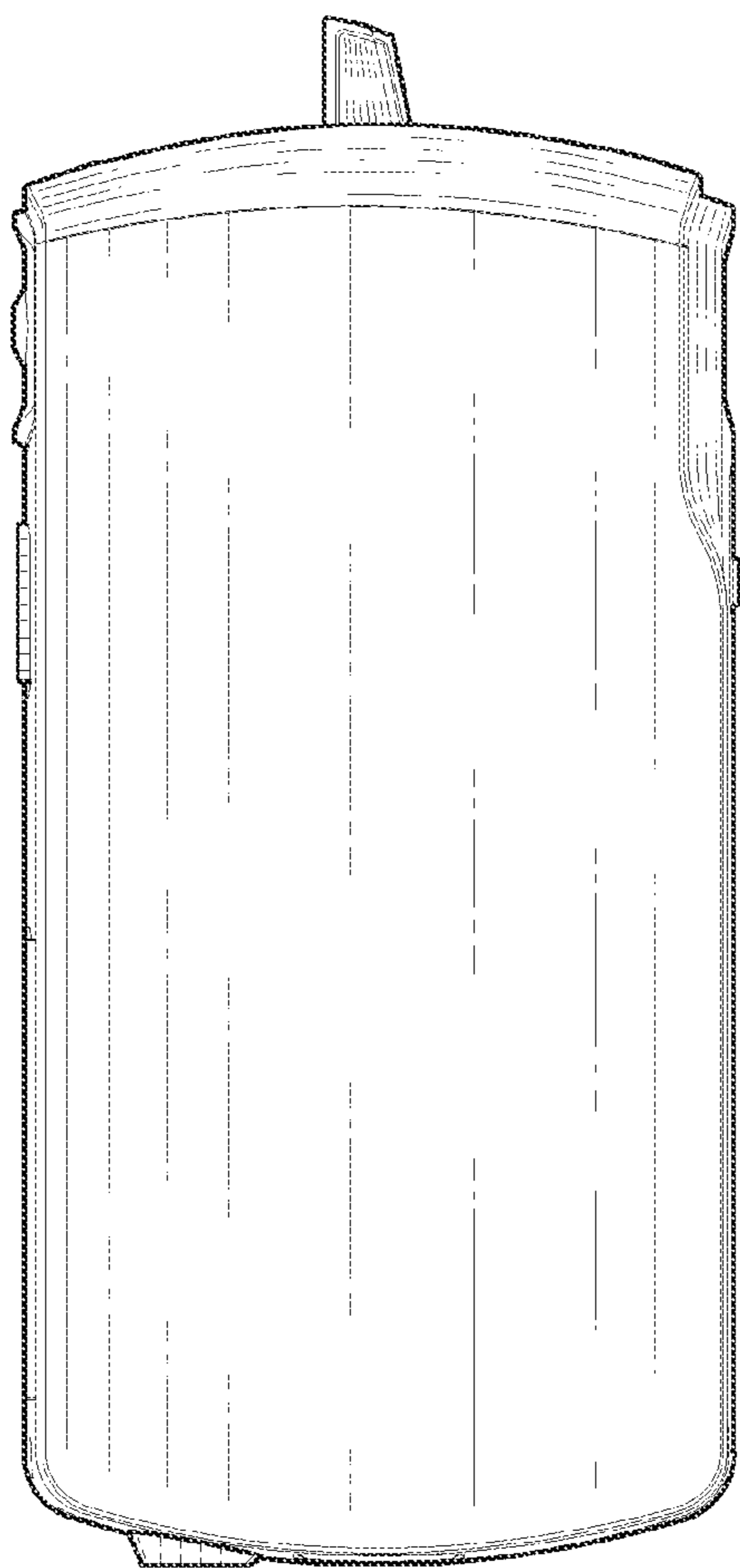


FIG. 4

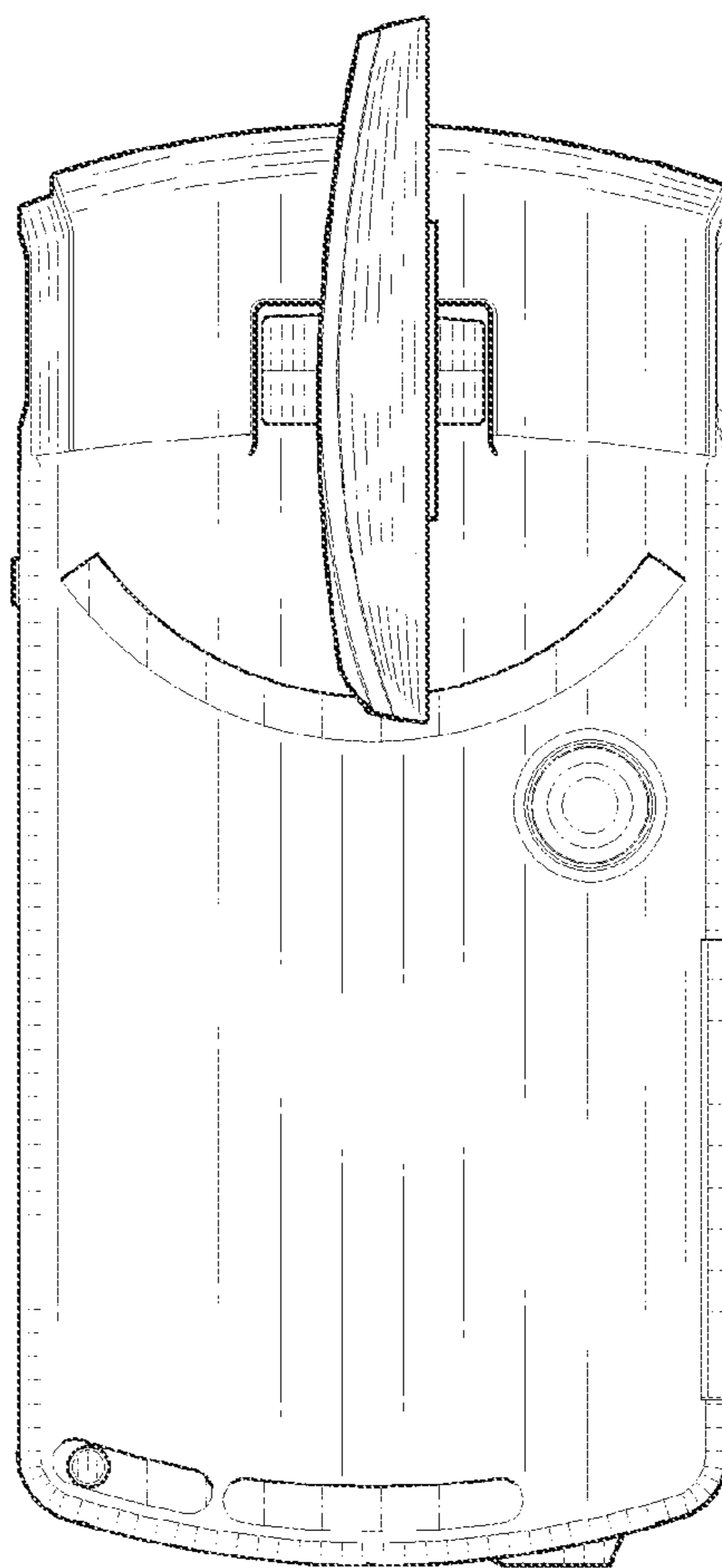


FIG. 5

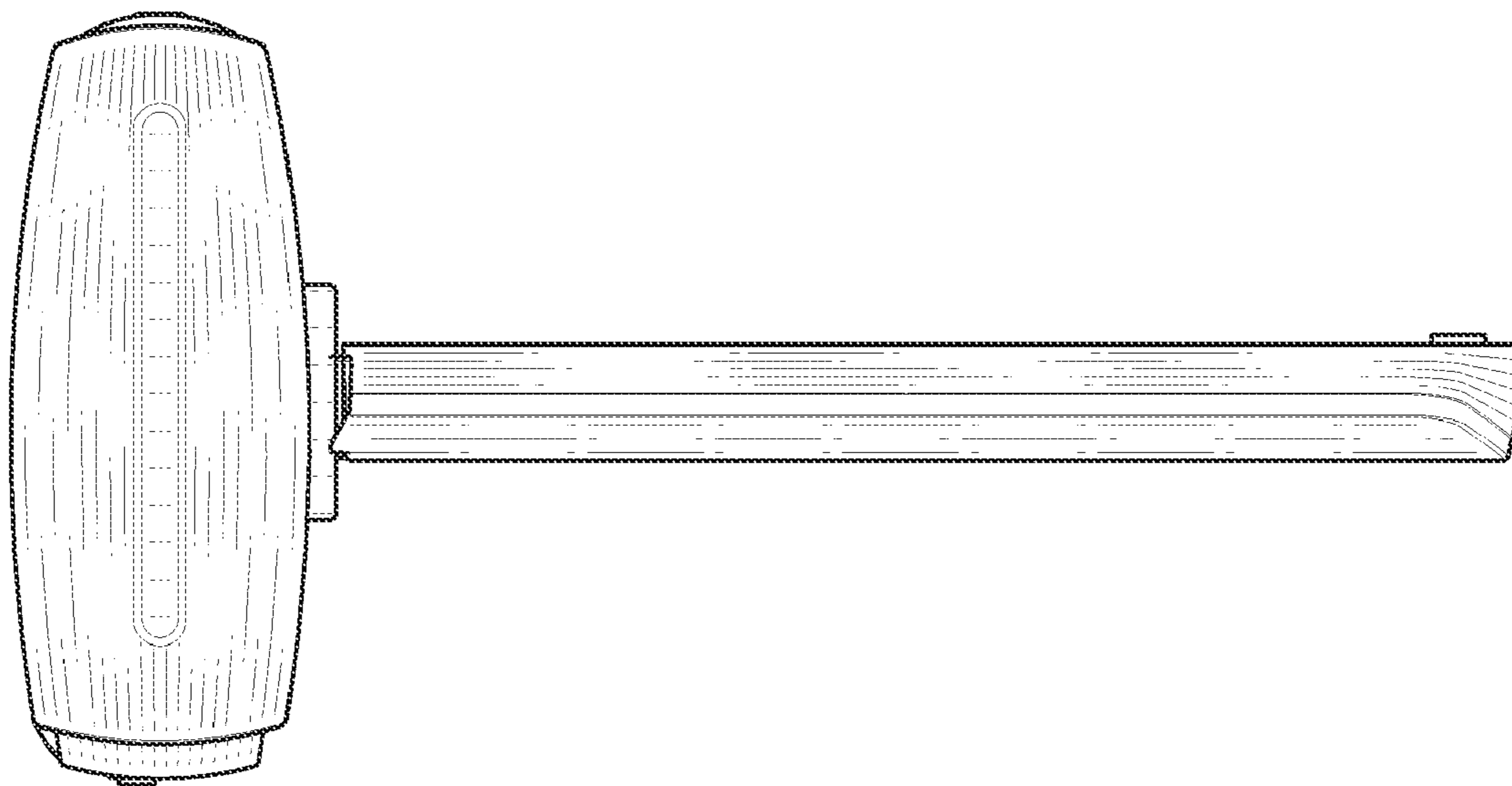


FIG. 6

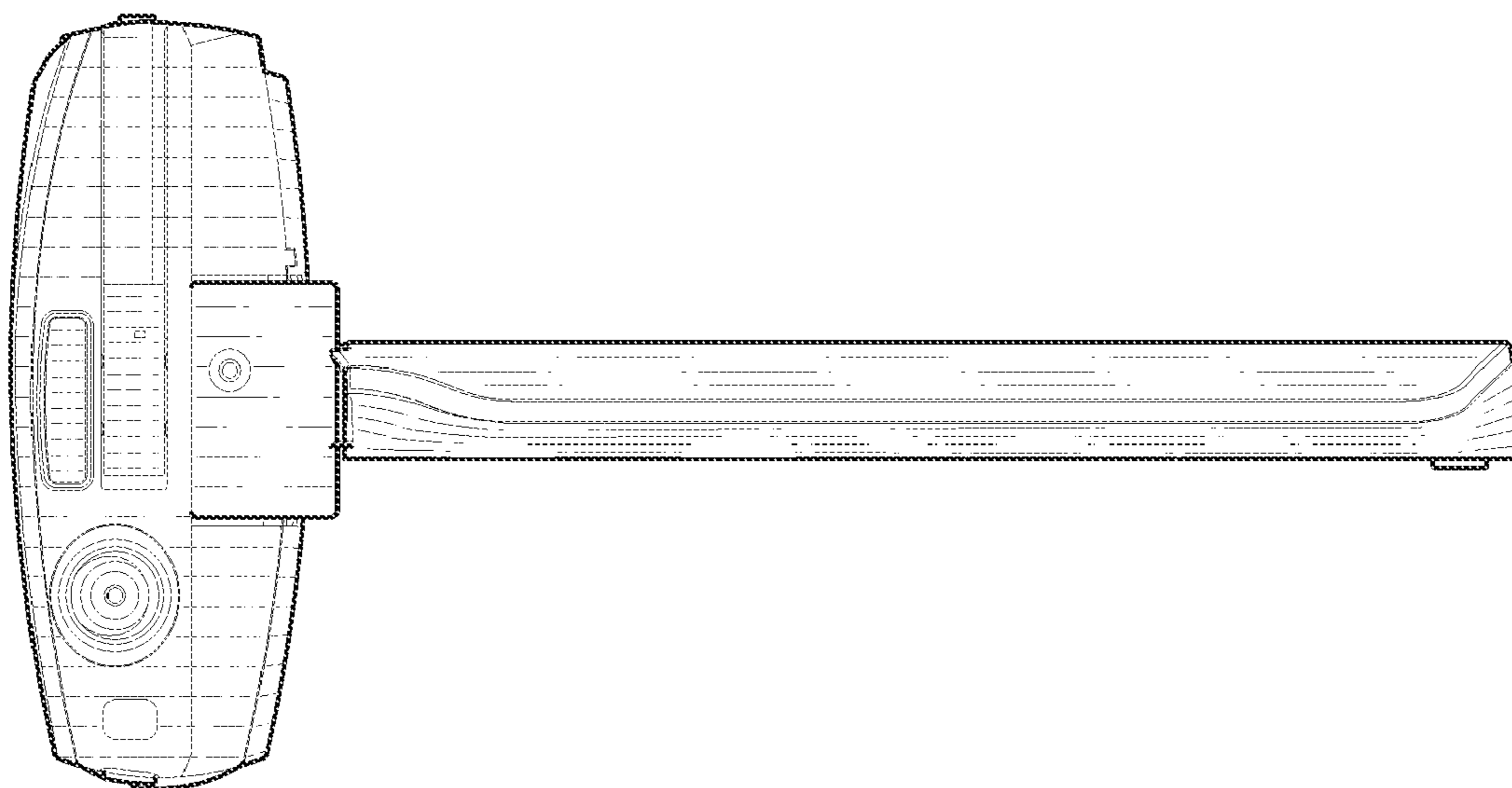


FIG. 7