

US00D663341S

(12) **United States Design Patent**  
**Kwon**

(10) **Patent No.:** **US D663,341 S**  
(45) **Date of Patent:** **\*\* Jul. 10, 2012**

(54) **DIGITAL CAMERA**

(75) Inventor: **Kijin Kwon**, Seoul (KR)

(73) Assignee: **Samsung Electronics Co., Ltd.**,  
Suwon-Si (KR)

(\*\*) Term: **14 Years**

(21) Appl. No.: **29/392,234**

(22) Filed: **May 19, 2011**

(51) **LOC (9) Cl.** ..... **16-01**

(52) **U.S. Cl.** ..... **D16/202**

(58) **Field of Classification Search** ..... D16/200–204,  
D16/208, 218; 348/373–376; 358/909.1;  
396/535–541

See application file for complete search history.

(56) **References Cited**

**U.S. PATENT DOCUMENTS**

D561,219 S *	2/2008	Nagayama et al.	.....	D16/202
D568,358 S *	5/2008	Shimobayashi	.....	D16/202
D576,191 S *	9/2008	Shimobayashi	.....	D16/202
D577,756 S *	9/2008	Nakamura	.....	D16/202
7,646,426 B2 *	1/2010	Saiki et al.	.....	348/373

D627,381 S *	11/2010	Kwon	.....	D16/202
D634,765 S *	3/2011	Noh et al.	.....	D16/202
D634,766 S *	3/2011	Ham	.....	D16/202
D641,033 S *	7/2011	Nohara	.....	D16/202

\* cited by examiner

*Primary Examiner* — Adir Aronovich

(74) *Attorney, Agent, or Firm* — Ladas & Parry LLP

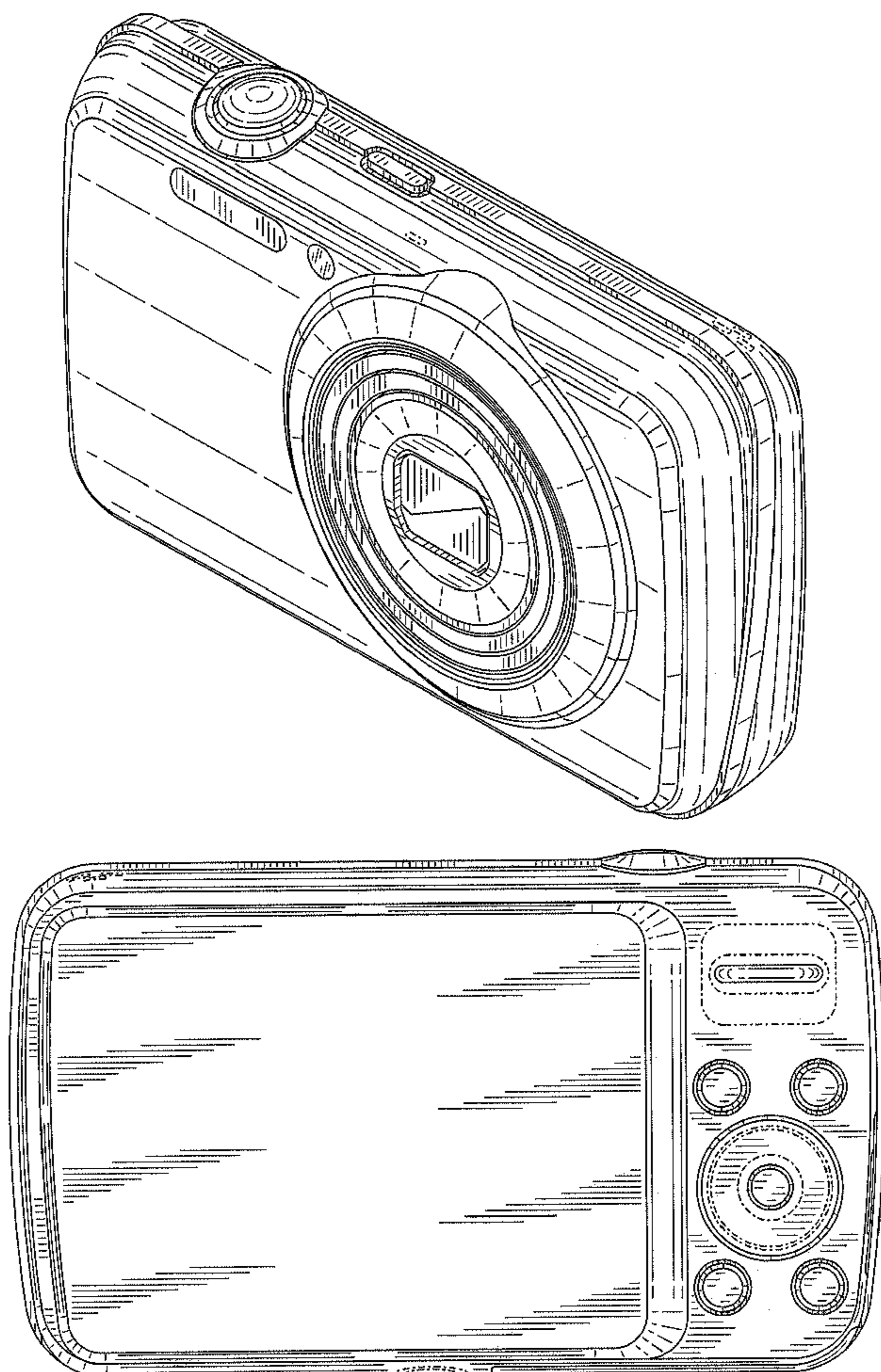
(57) **CLAIM**

I claim the ornamental design for a digital camera, as shown.

**DESCRIPTION**

FIG. 1 is a front, top and right-side perspective view of a digital camera showing my new design;  
 FIG. 2 is a front elevational view thereof;  
 FIG. 3 is a rear elevational view thereof;  
 FIG. 4 is a left-side elevational view thereof;  
 FIG. 5 is a right-side elevational view thereof;  
 FIG. 6 is a top plan view thereof; and,  
 FIG. 7 is a bottom plan view thereof.  
 The portions of the camera in broken lines are shown for illustrative purposes only and form no part of the claimed design.

**1 Claim, 4 Drawing Sheets**



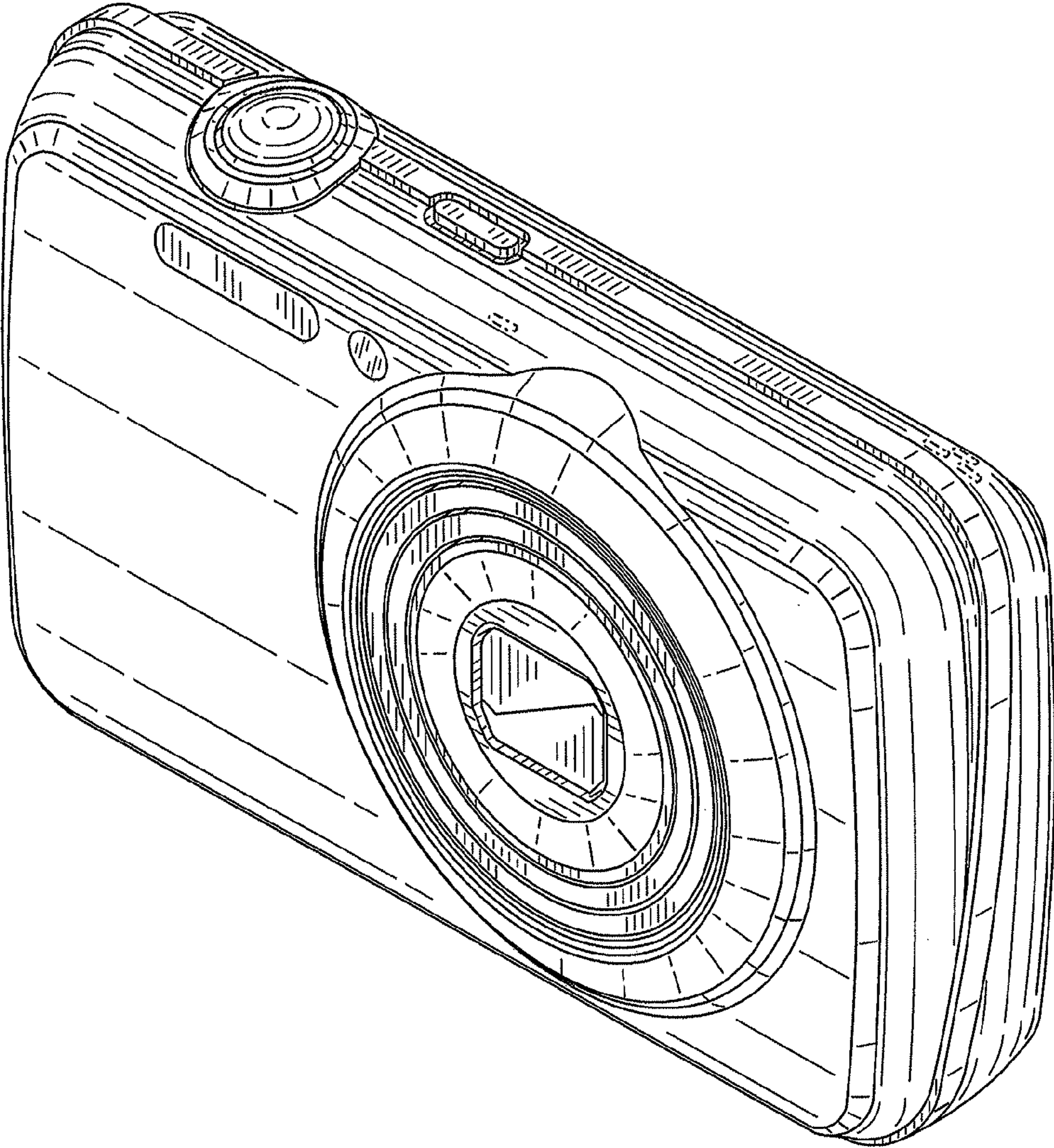


FIG. 1



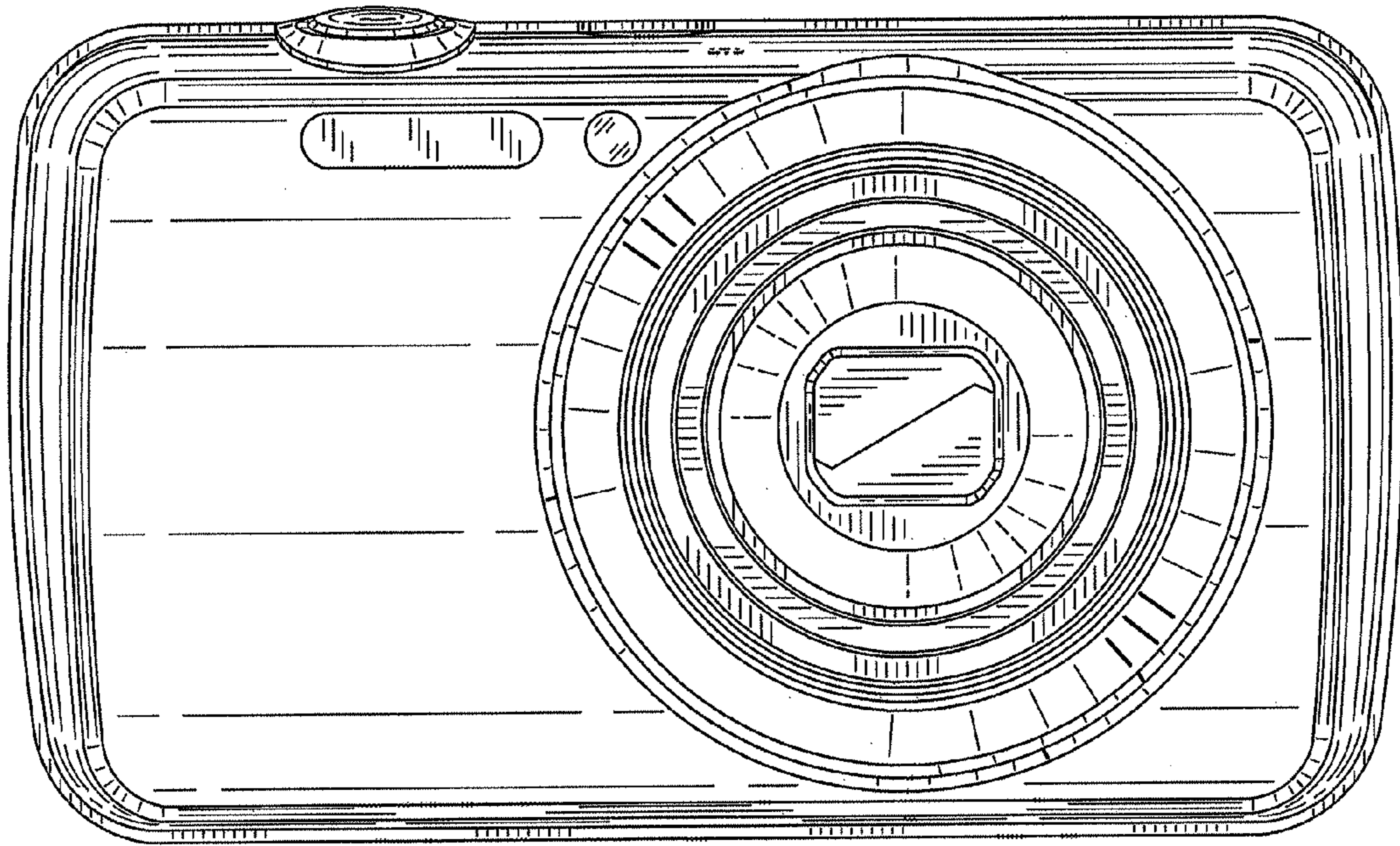


FIG. 2

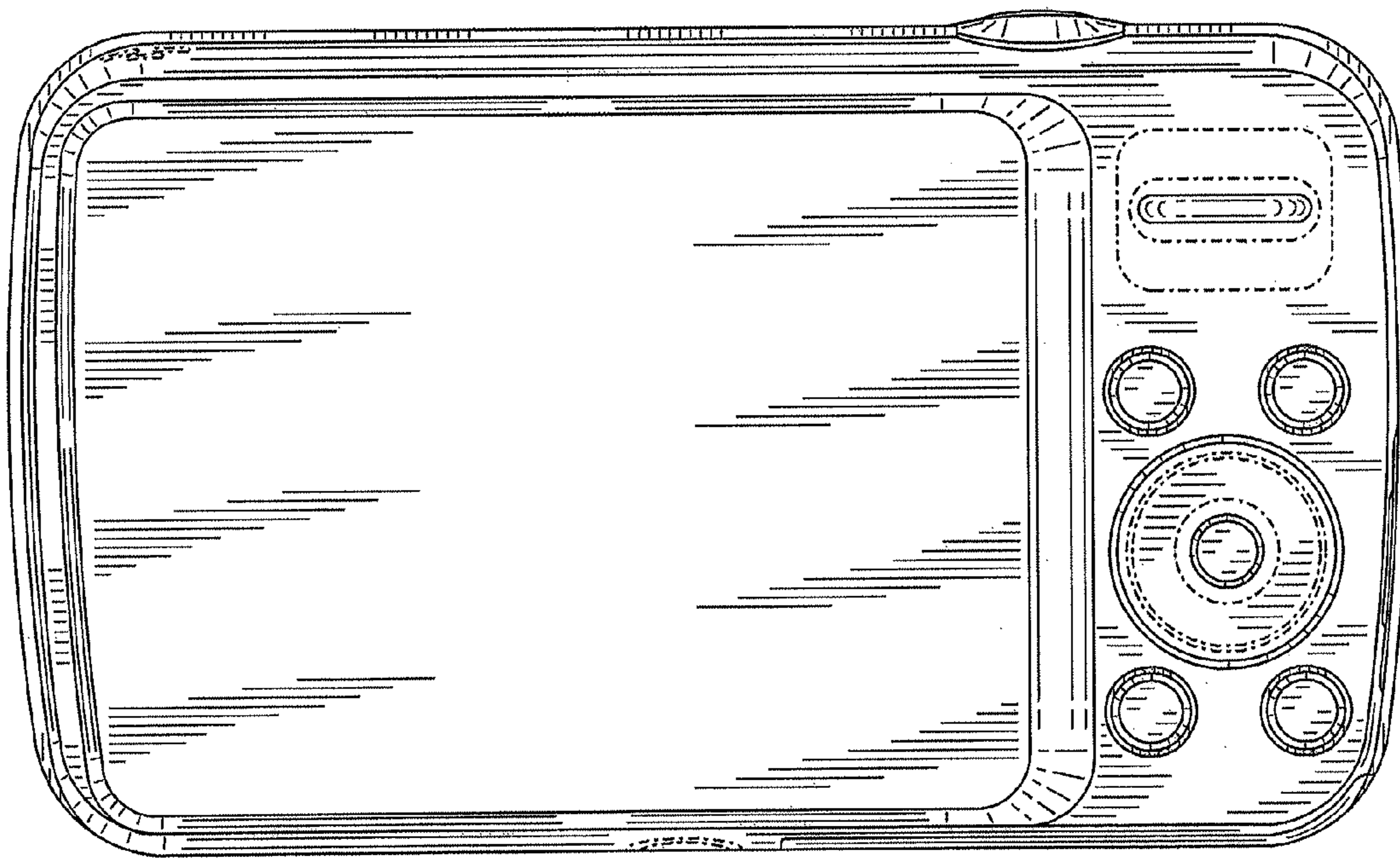


FIG. 3

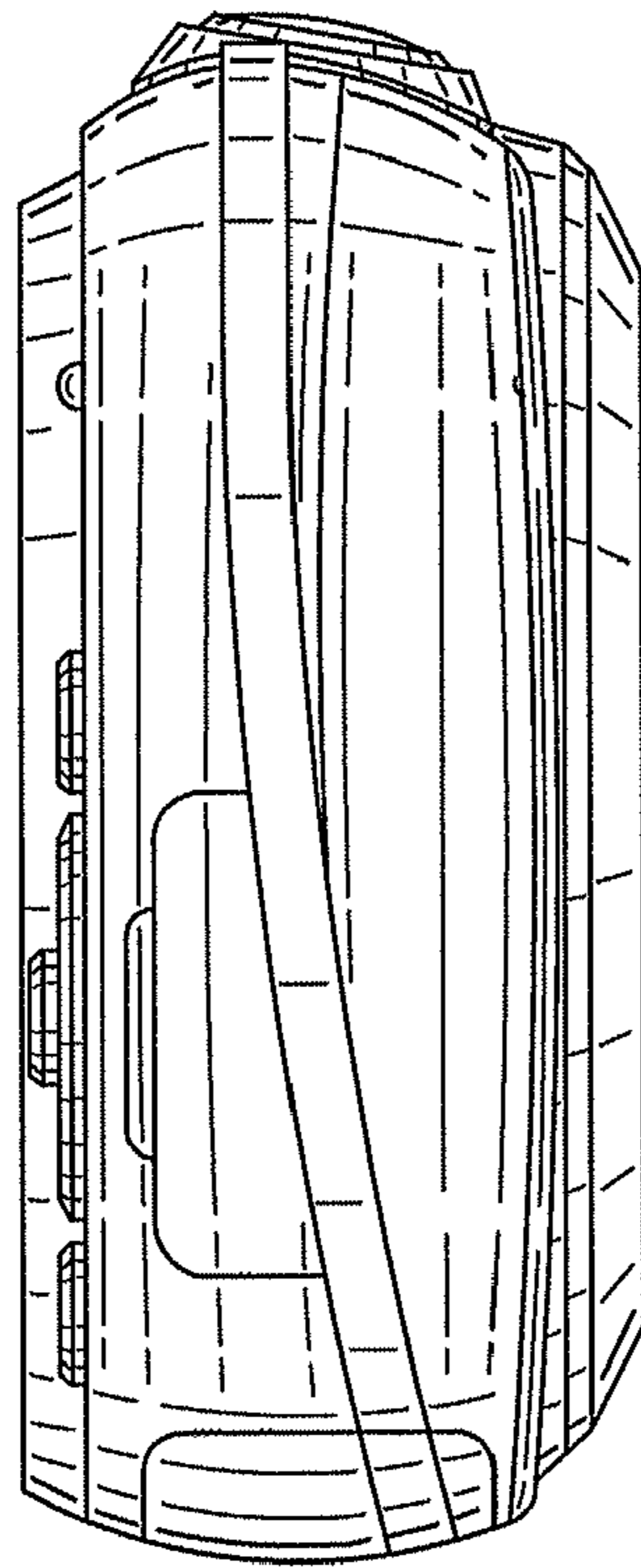


FIG. 4



FIG. 5

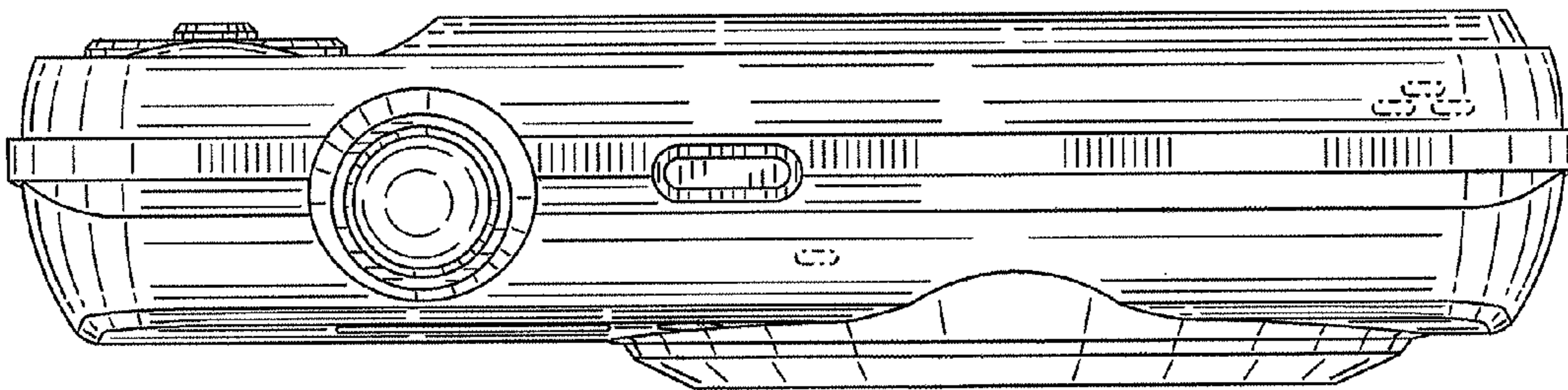


FIG. 6

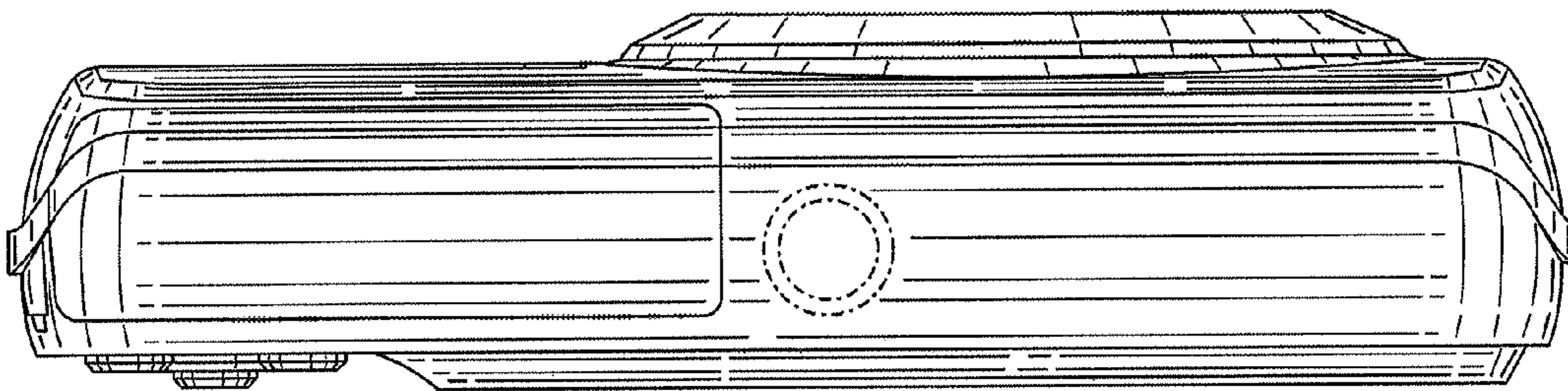


FIG. 7