

US00D663340S

(12) **United States Design Patent**
Farenski

(10) **Patent No.:** **US D663,340 S**

(45) **Date of Patent:** **** *Jul. 10, 2012**

(54) **MAGNIFIER**

(75) **Inventor:** **Tom Farenski, Fürth (DE)**

(73) **Assignee:** **Eschenbach Optik GmbH, Nürnberg (DE)**

(*) **Notice:** This patent is subject to a terminal disclaimer.

(**) **Term:** **14 Years**

(21) **Appl. No.:** **29/392,896**

(22) **Filed:** **May 27, 2011**

(51) **LOC (9) Cl.** **16-06**

(52) **U.S. Cl.** **D16/135**

(58) **Field of Classification Search** D16/130,
D16/135; 359/802, 803, 804, 805, 808, 809,
359/810, 811, 822; 362/119, 238
See application file for complete search history.

(56) **References Cited**

U.S. PATENT DOCUMENTS

D217,506 S *	5/1970	Knoetgen	D16/135
3,945,717 A *	3/1976	Ryder et al.	359/800
D269,275 S *	6/1983	Tweedie	D16/135

D298,634 S *	11/1988	Yuen	D16/135
D303,119 S *	8/1989	Steel et al.	D16/135
4,903,706 A *	2/1990	Vila-Cora et al.	600/558
D324,060 S *	2/1992	Huang	D16/135
D333,313 S *	2/1993	Hornschu et al.	D16/135
D336,655 S *	6/1993	Lee	D16/135
D426,246 S *	6/2000	Hennessy et al.	D16/135
D483,780 S *	12/2003	Overholser	D16/135
D509,840 S *	9/2005	Lewis	D16/135
D568,354 S *	5/2008	Krause	D16/135
D586,833 S *	2/2009	Huang et al.	D16/135
D602,967 S *	10/2009	Hui	D16/135

* cited by examiner

Primary Examiner — Paula Greene

(74) *Attorney, Agent, or Firm* — Browdy and Niemark, PLLC

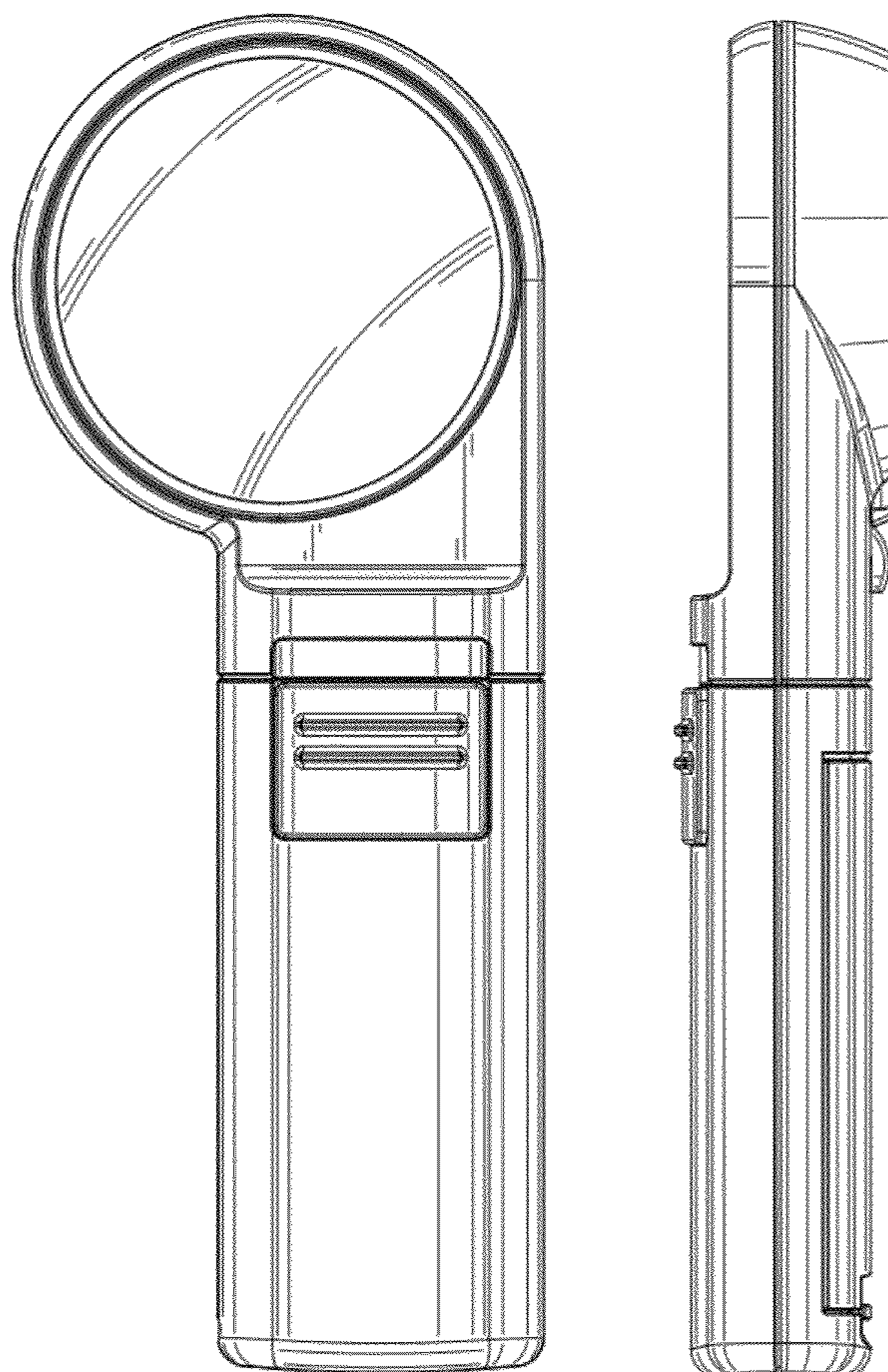
(57) **CLAIM**

The ornamental design for a magnifier, as shown and described.

DESCRIPTION

FIG. 1 is a front view of a magnifier, showing our new design; FIG. 2 is a rear view thereof; FIG. 3 is a top view thereof; FIG. 4 is a bottom view thereof; FIG. 5 is a lateral view (right side) thereof; FIG. 6 is a lateral view (left side) thereof; and, FIG. 7 is a perspective view thereof.

1 Claim, 7 Drawing Sheets



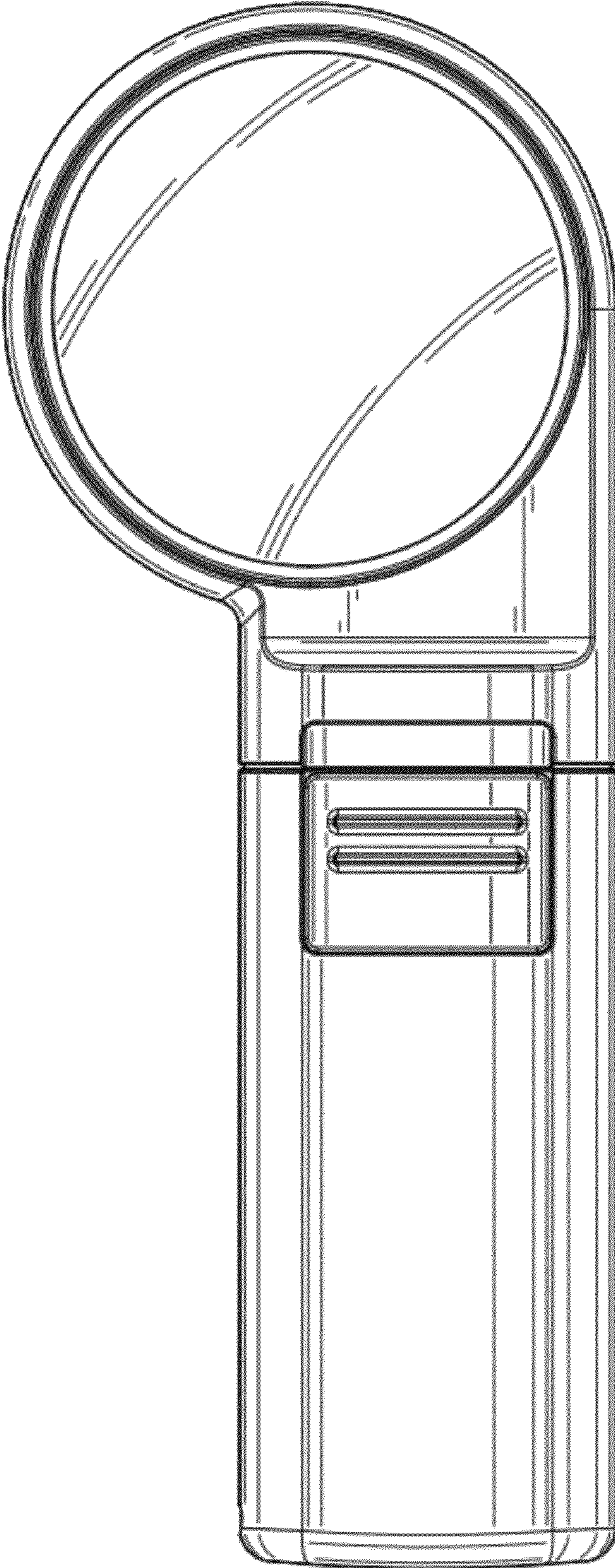


FIG. 1

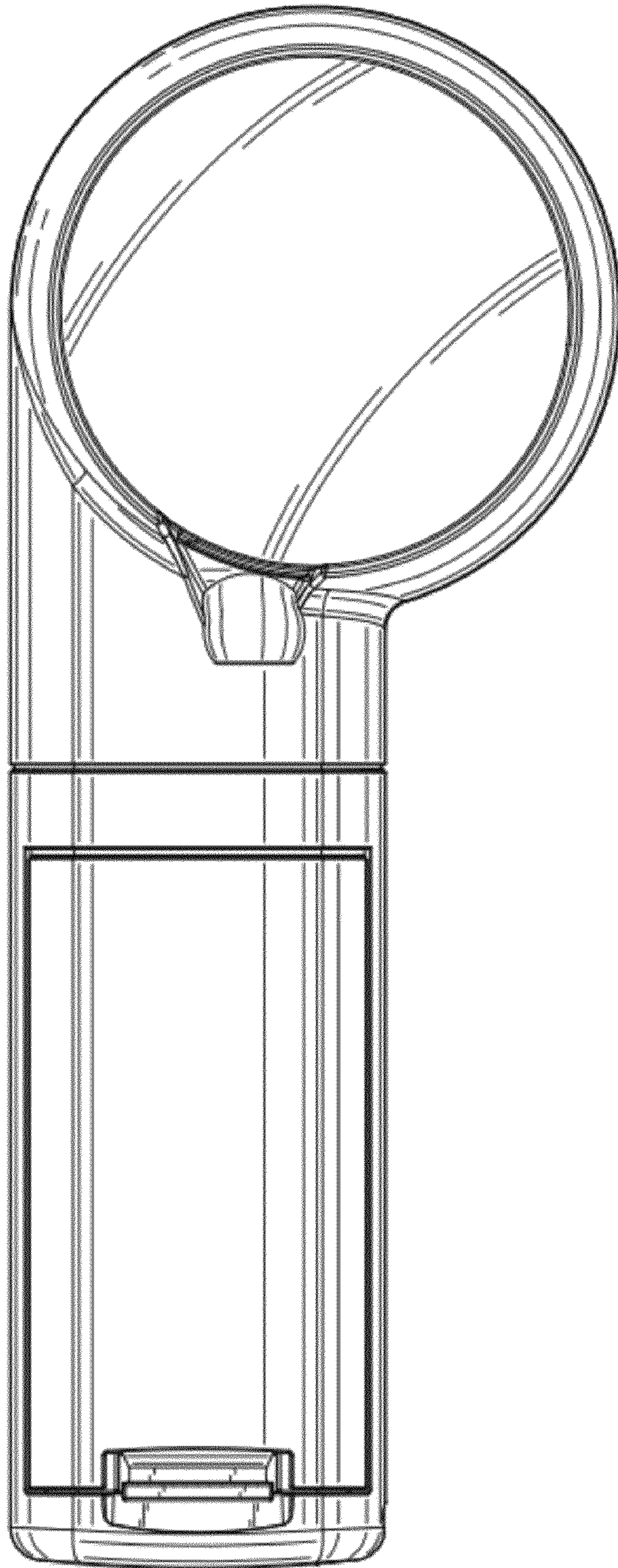


FIG. 2

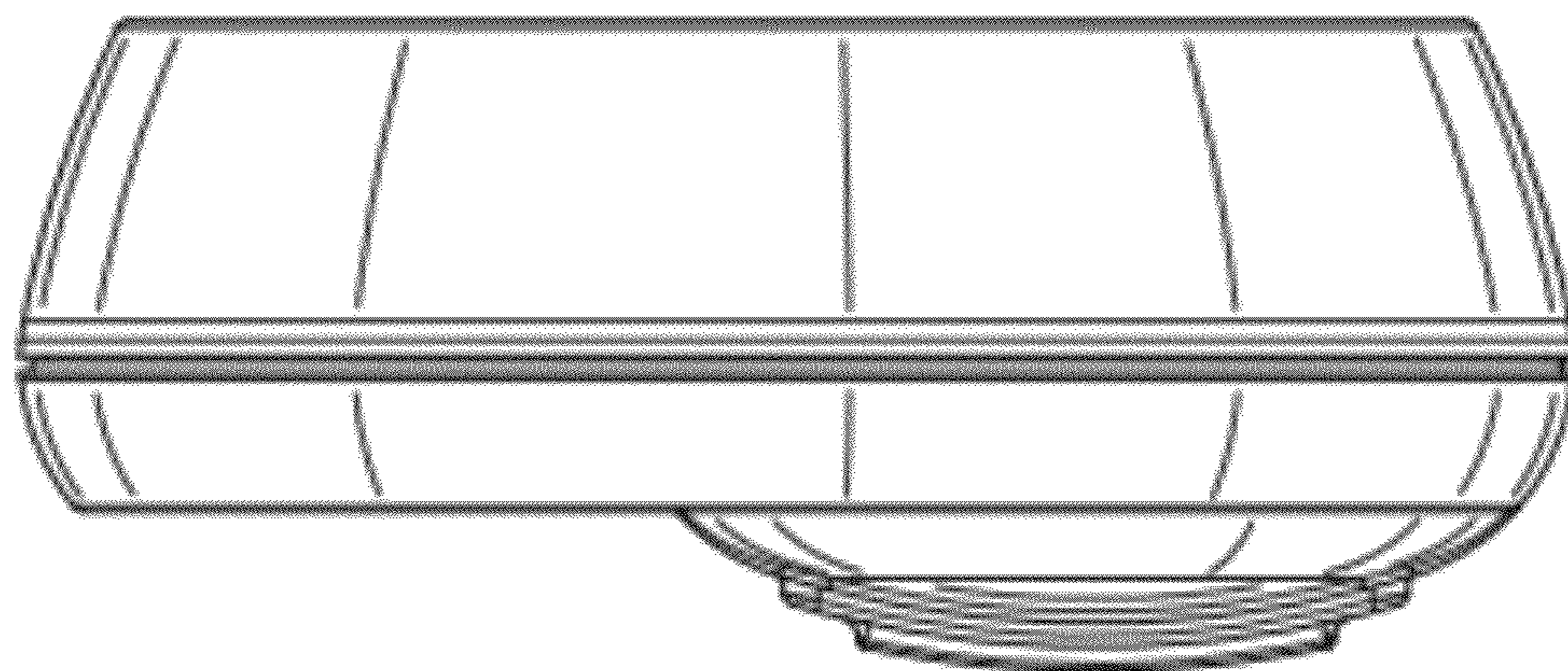


FIG. 3

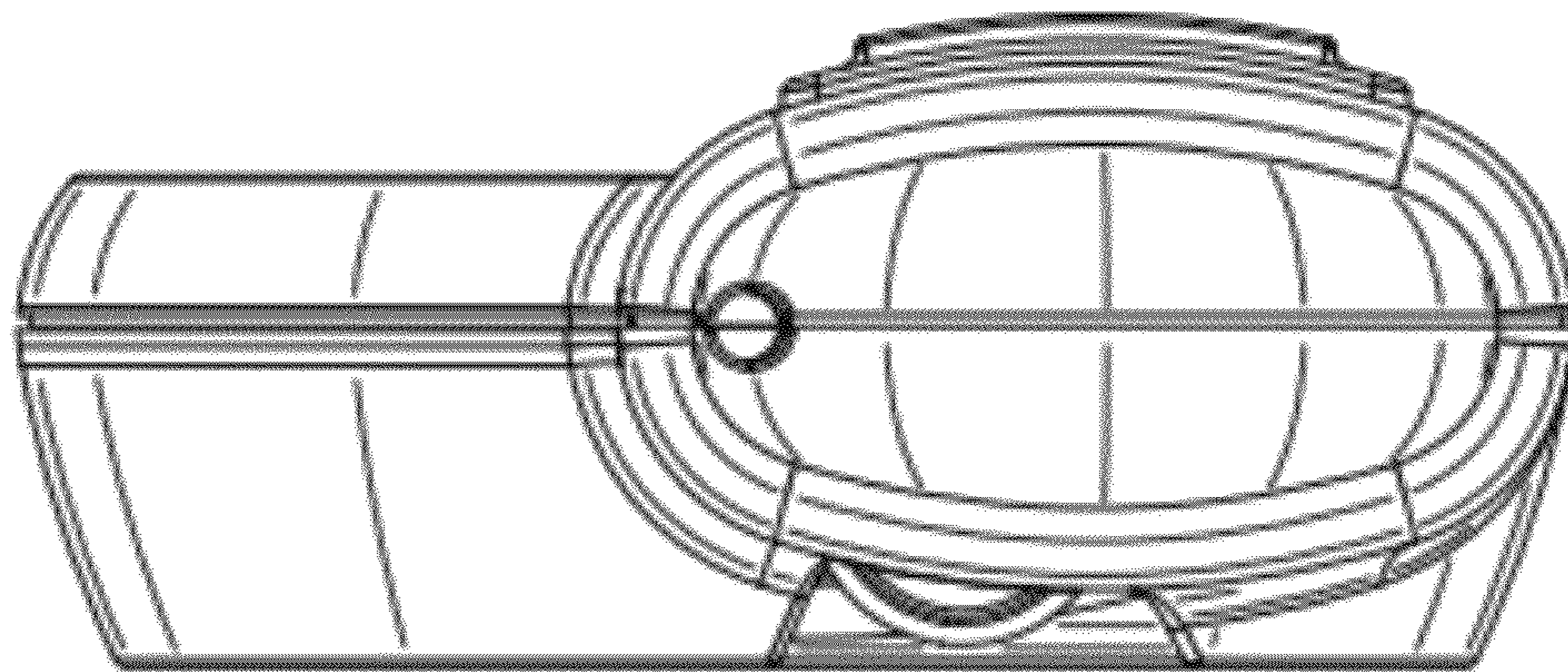


FIG. 4

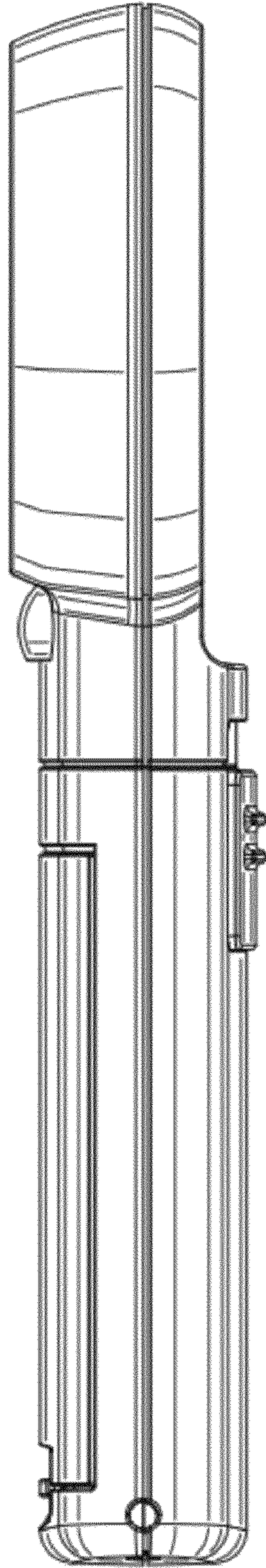


FIG. 5

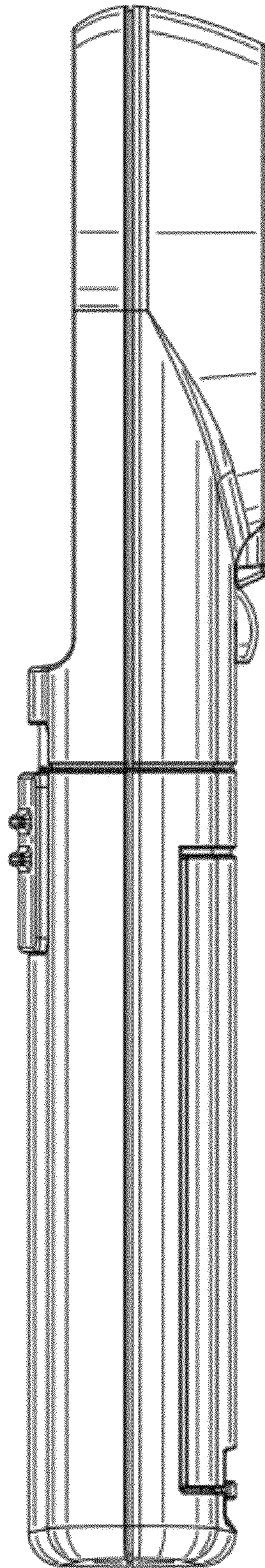


FIG. 6

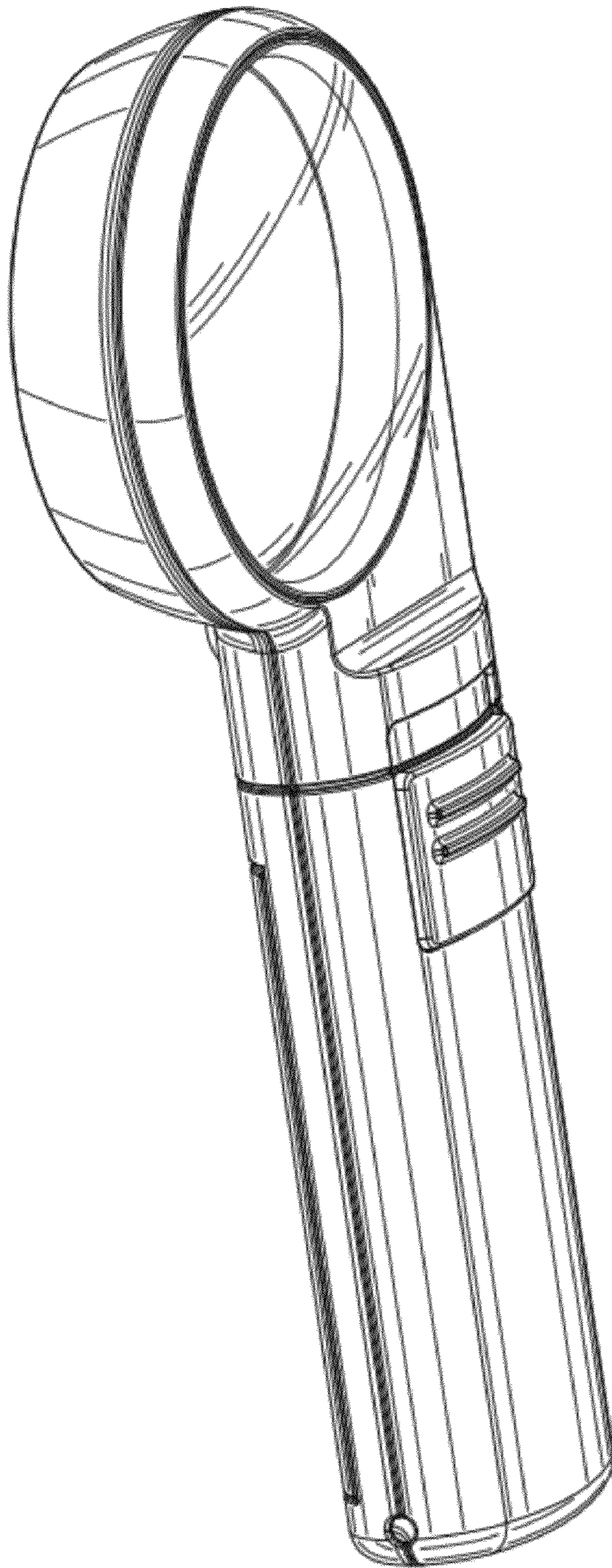


FIG. 7