



US00D663338S

(12) **United States Design Patent**  
**Okamoto et al.**

(10) **Patent No.:** **US D663,338 S**  
(45) **Date of Patent:** **\*\* Jul. 10, 2012**

(54) **MICROSCOPE**

(75) Inventors: **Yasutoshi Okamoto**, Moriguchi (JP);  
**Akihiro Mochizuki**, Moriguchi (JP);  
**Fumio Yamada**, Moriguchi (JP)

(73) Assignee: **Panasonic Healthcare Co., Ltd.**,  
Toon-Shi (JP)

(\*\*) Term: **14 Years**

(21) Appl. No.: **29/407,410**

(22) Filed: **Nov. 29, 2011**

**Related U.S. Application Data**

(62) Division of application No. 29/347,759, filed on May 19, 2010, now Pat. No. Des. 657,407.

(30) **Foreign Application Priority Data**

Dec. 15, 2009 (JP) ..... 2009-029092  
Dec. 15, 2009 (JP) ..... 2009-029093

(51) **LOC (9) Cl.** ..... **16-06**

(52) **U.S. Cl.** ..... **D16/131**

(58) **Field of Classification Search** ..... D16/131,  
D16/130, 221, 234, 232, 216, 223; 359/383,  
359/390, 368, 388, 393, 391, 824, 369, 372,  
359/385, 392; D24/172, 180; D18/4.4, 18  
See application file for complete search history.

(56) **References Cited**

**U.S. PATENT DOCUMENTS**

3,765,745 A \* 10/1973 Burboeck ..... 359/393  
D241,741 S 10/1976 Armbruster  
4,206,966 A \* 6/1980 Tyson et al. .... 359/363  
4,210,384 A 7/1980 Meyer et al.

D257,358 S \* 10/1980 Armbruster ..... D16/131  
D260,402 S \* 8/1981 Hodgson ..... D16/131  
4,284,327 A 8/1981 Kraft et al.  
4,475,179 A \* 10/1984 Geyer ..... 369/44.13  
4,552,033 A \* 11/1985 Marzhauser ..... 74/490.13  
4,679,904 A \* 7/1987 Kurihara ..... 359/824  
4,711,537 A \* 12/1987 Schindl et al. .... 359/393  
4,812,029 A \* 3/1989 Onanhian ..... 359/383  
4,863,252 A \* 9/1989 McCarthy et al. .... 359/376  
5,175,644 A \* 12/1992 Dosaka ..... 359/392  
D354,761 S 1/1995 Komatsuzaki et al.  
5,585,964 A 12/1996 Schalz  
5,812,311 A \* 9/1998 Kragolnik ..... 359/393  
6,018,415 A \* 1/2000 Woo et al. .... 359/393  
6,134,981 A \* 10/2000 Novak et al. .... 74/490.09  
6,181,471 B1 1/2001 Miyoshi  
6,252,333 B1 \* 6/2001 Iino et al. .... 310/323.17  
6,339,498 B1 1/2002 Nishida et al.  
6,452,625 B1 \* 9/2002 Kapitza ..... 348/80

(Continued)

*Primary Examiner* — Paula Greene

(74) *Attorney, Agent, or Firm* — Rabin & Berdo, P.C.

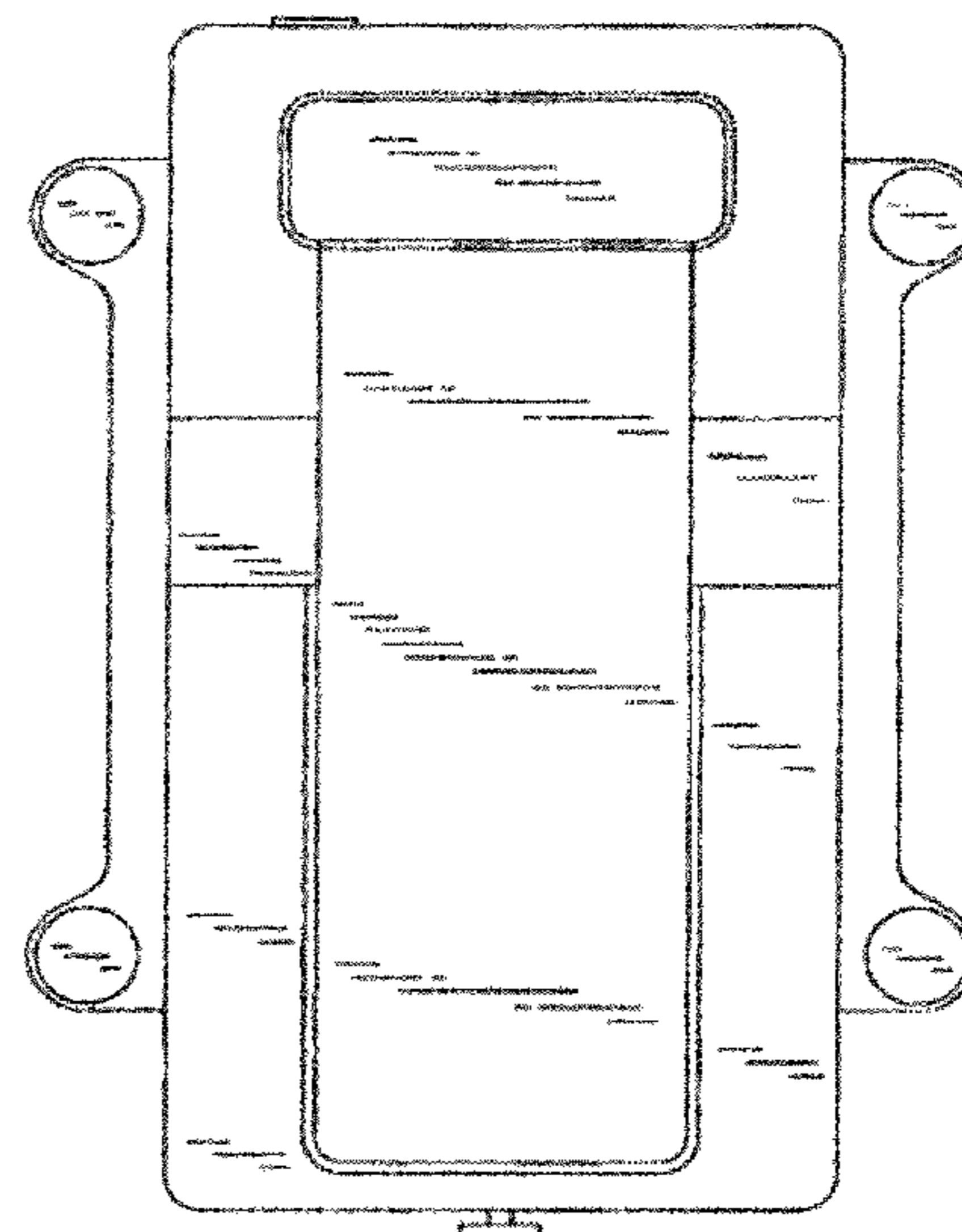
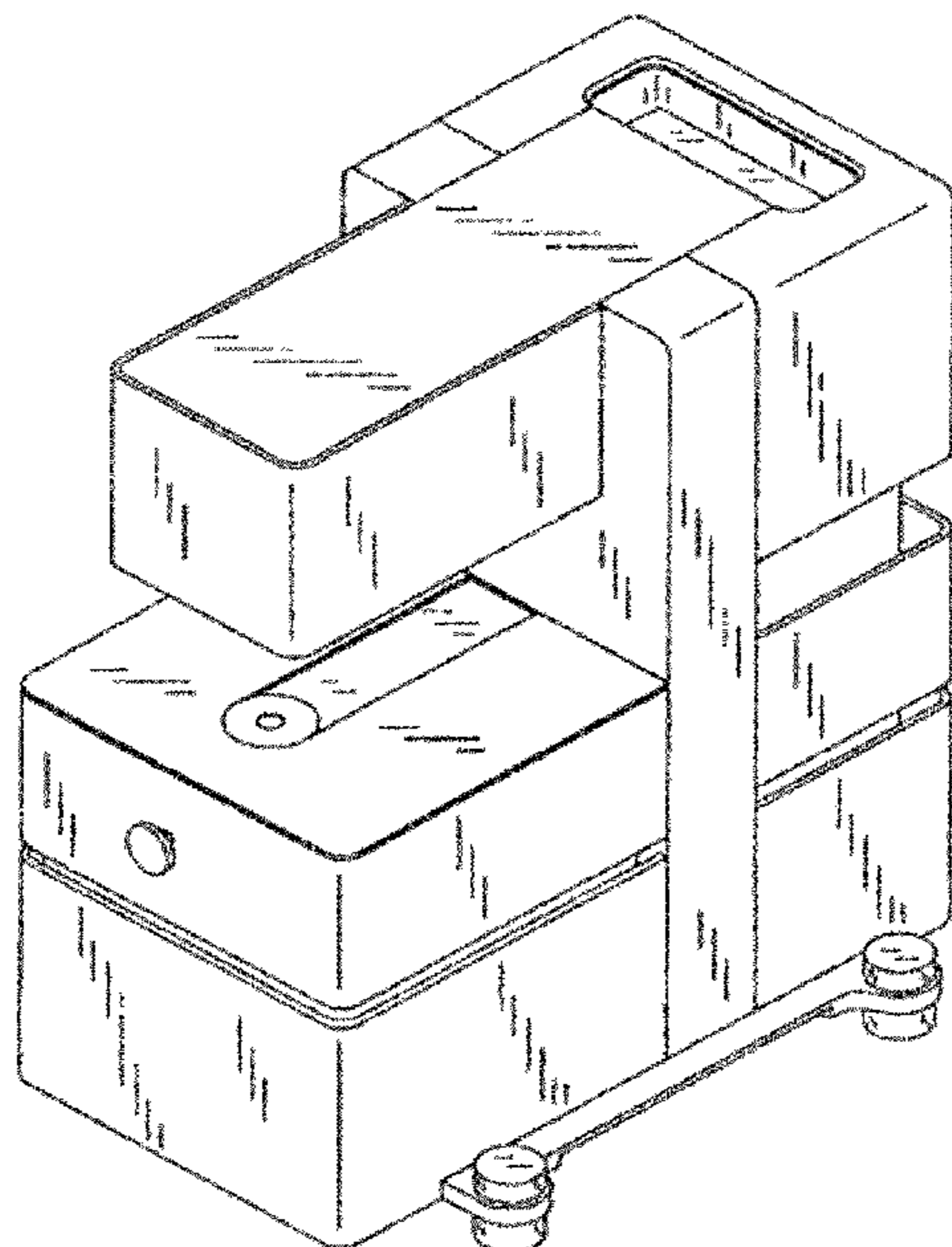
(57) **CLAIM**

The ornamental design for a microscope, as shown and described.

**DESCRIPTION**

FIG. 1 is a front perspective view of a microscope showing our new design;  
FIG. 2 is a rear perspective view of the embodiment;  
FIG. 3 is a front elevation view of the embodiment;  
FIG. 4 is a rear elevation view of the embodiment;  
FIG. 5 is a top plan view of the embodiment;  
FIG. 6 is a bottom plan view of the embodiment;  
FIG. 7 is a right side view of the embodiment; and,  
FIG. 8 is a left side view of the embodiment.

**1 Claim, 8 Drawing Sheets**



# US D663,338 S

Page 2

---

## U.S. PATENT DOCUMENTS

6,671,041	B2 *	12/2003	Okahira et al. ....	356/237.1	D625,749	S	10/2010	Oonuma et al.
6,920,803	B2 *	7/2005	Hasegawa .....	74/89.22	D630,660	S	1/2011	Stoiakine
6,992,820	B2	1/2006	Abe et al.		D632,323	S	2/2011	Oonuma et al.
7,321,462	B2	1/2008	Yamamoto		D633,537	S	3/2011	Oonuma et al.
D596,655	S *	7/2009	Maerzhaeuser .....	D16/131	D633,538	S	3/2011	Oonuma et al.
7,576,912	B2 *	8/2009	Schutze et al. ....	359/391	D636,005	S	4/2011	Oonuma et al.
D623,211	S	9/2010	Oonuma et al.		D638,046	S	5/2011	Noda et al.
7,791,796	B2 *	9/2010	Ue et al. ....	359/393				

\* cited by examiner

FIG. 1

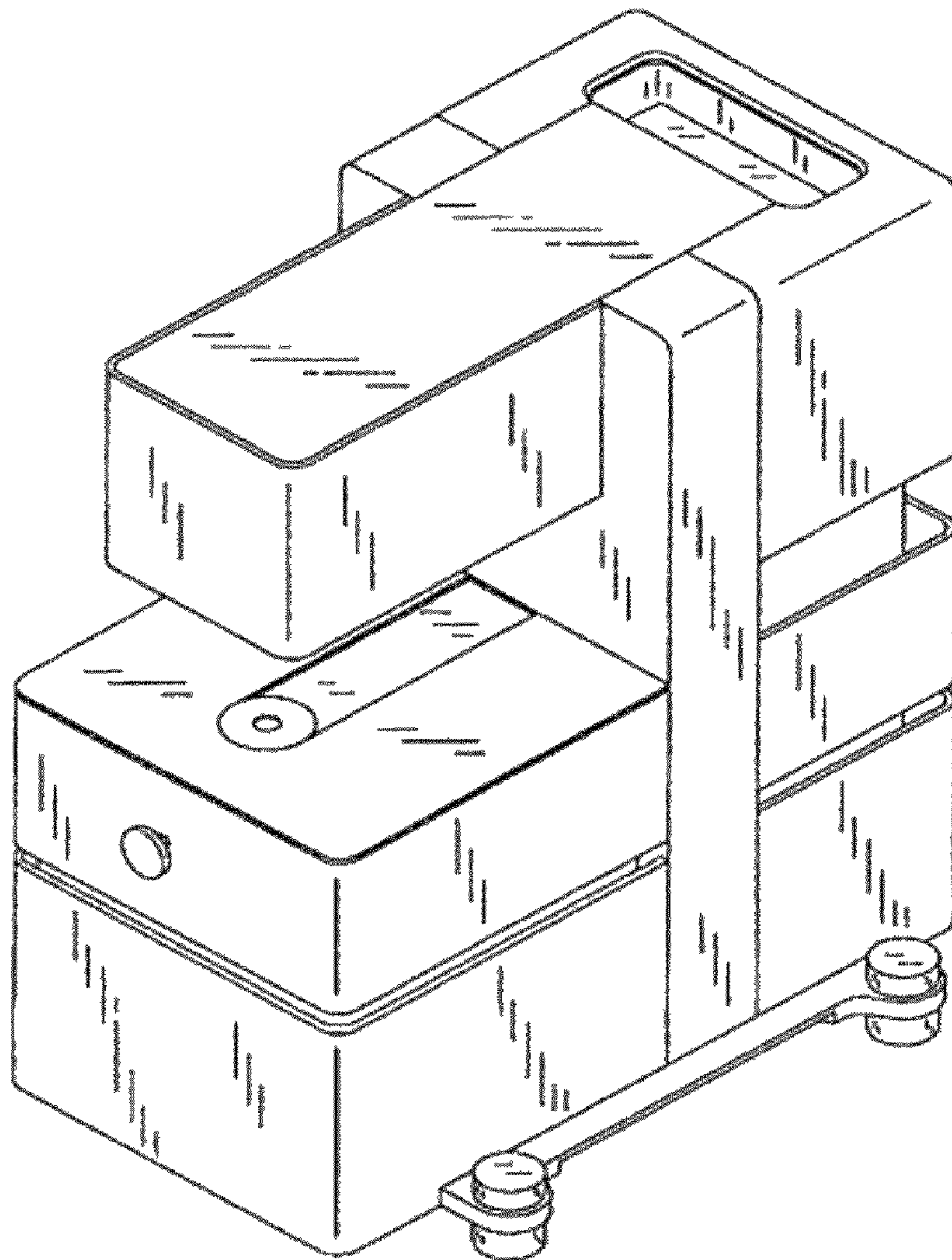


FIG. 2

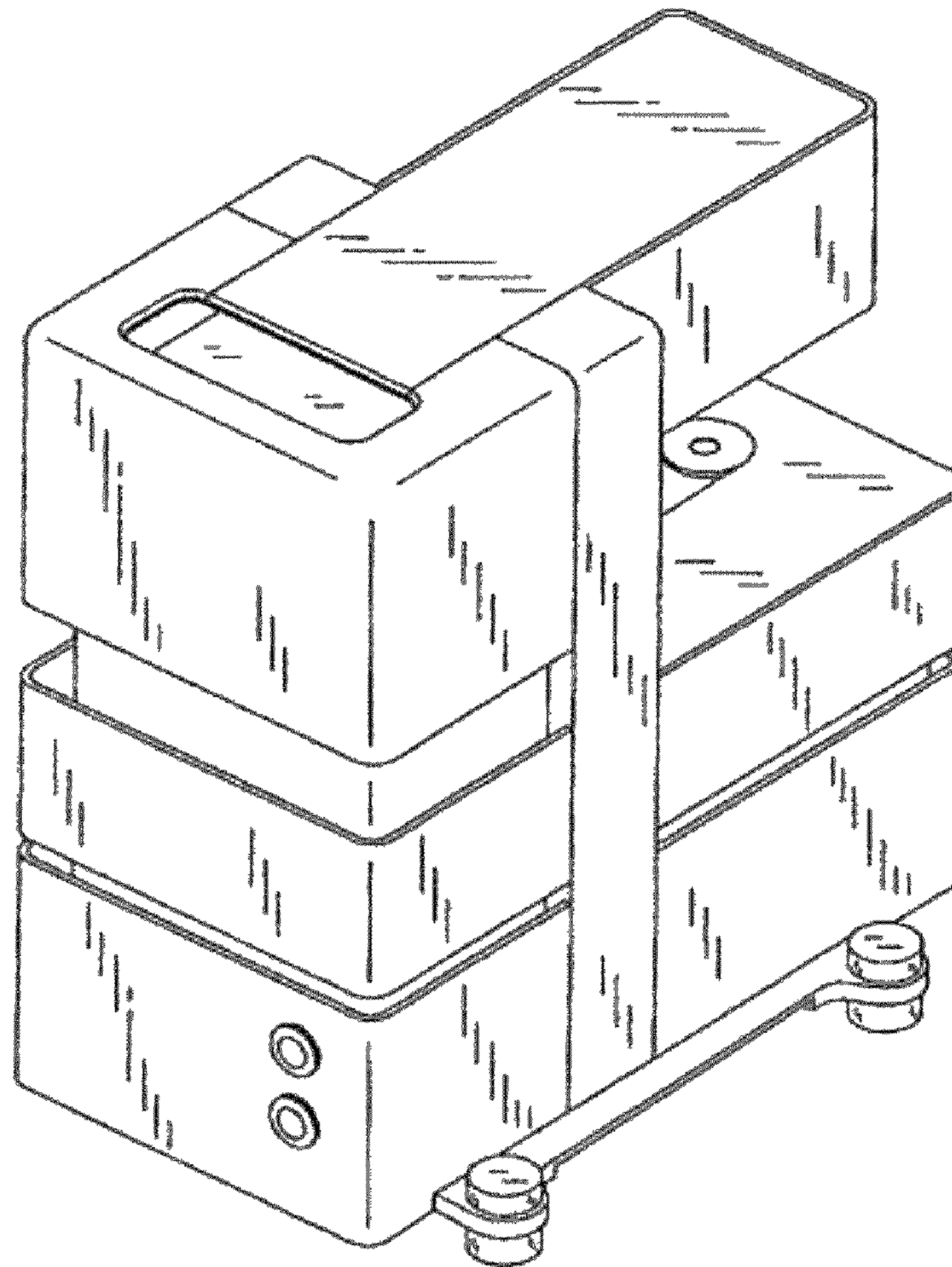


FIG. 3

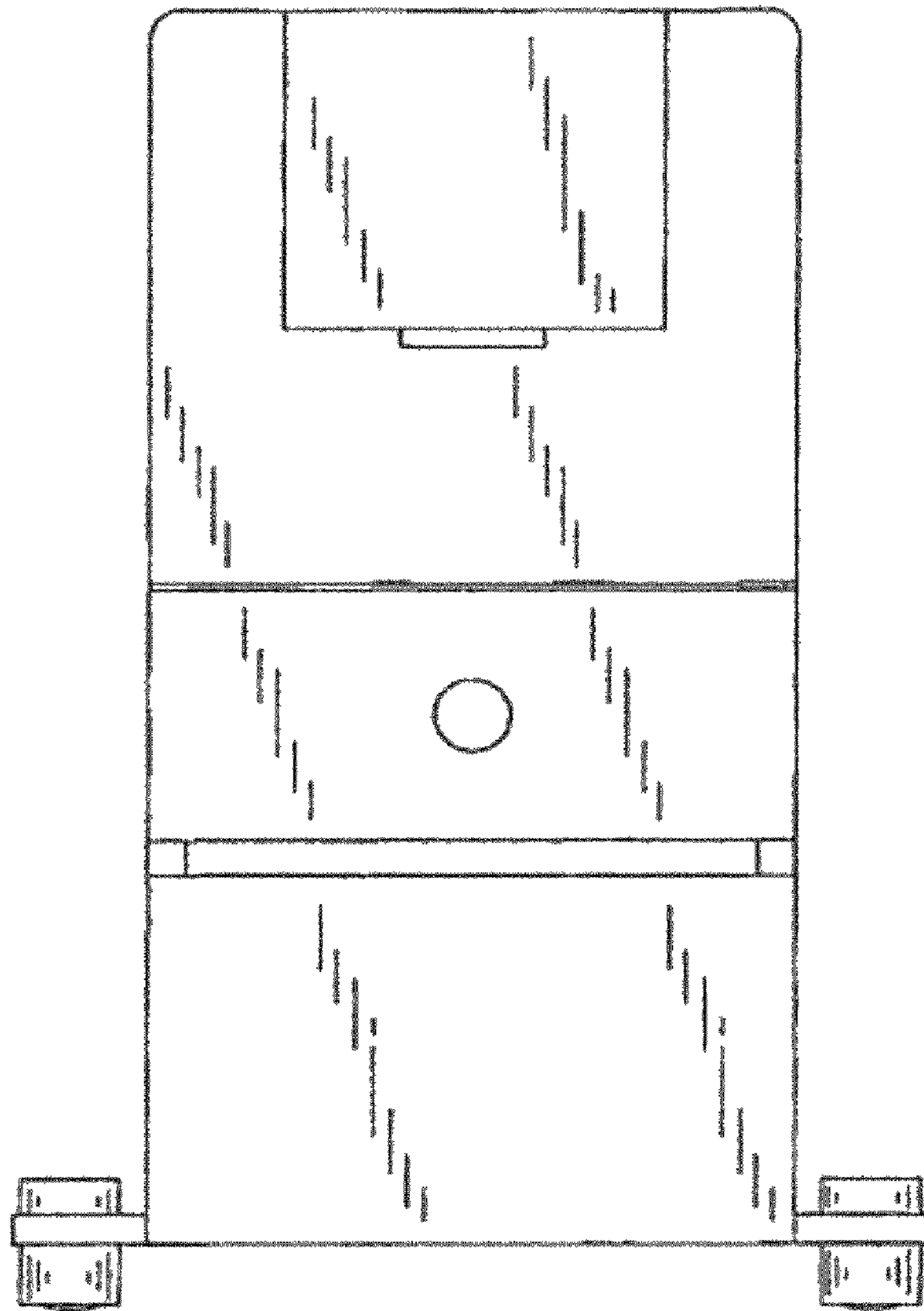


FIG. 4

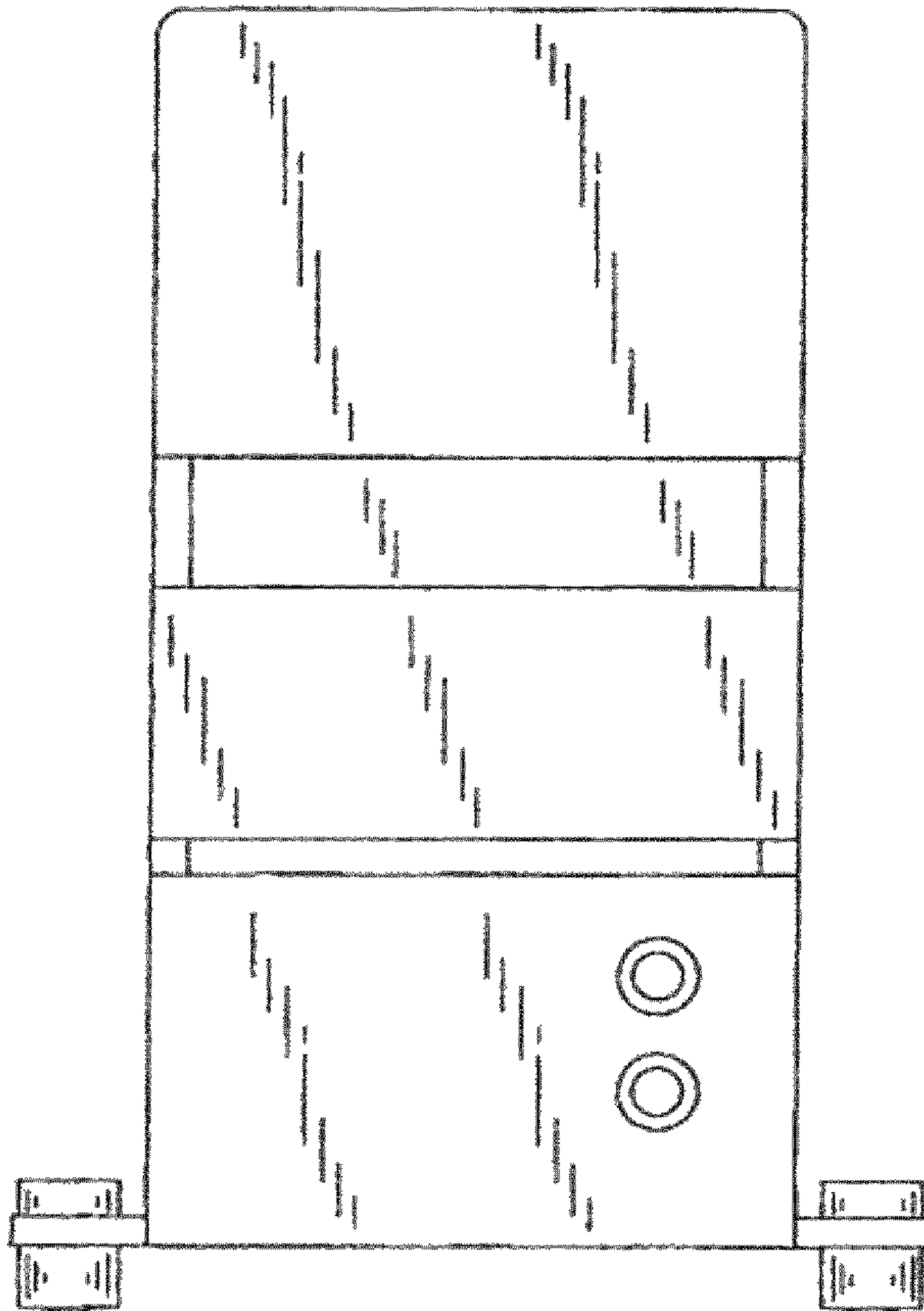


FIG. 5

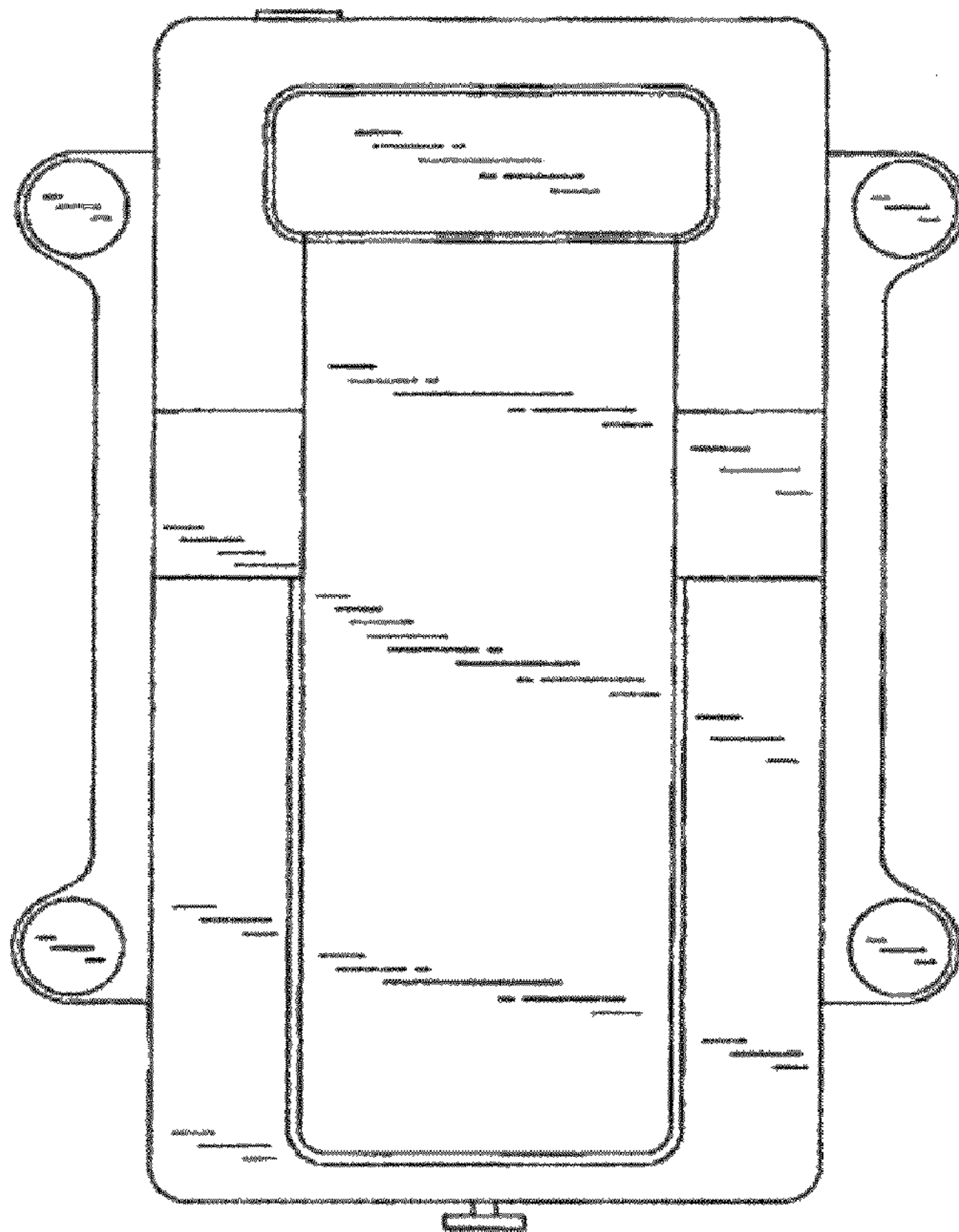


FIG. 6

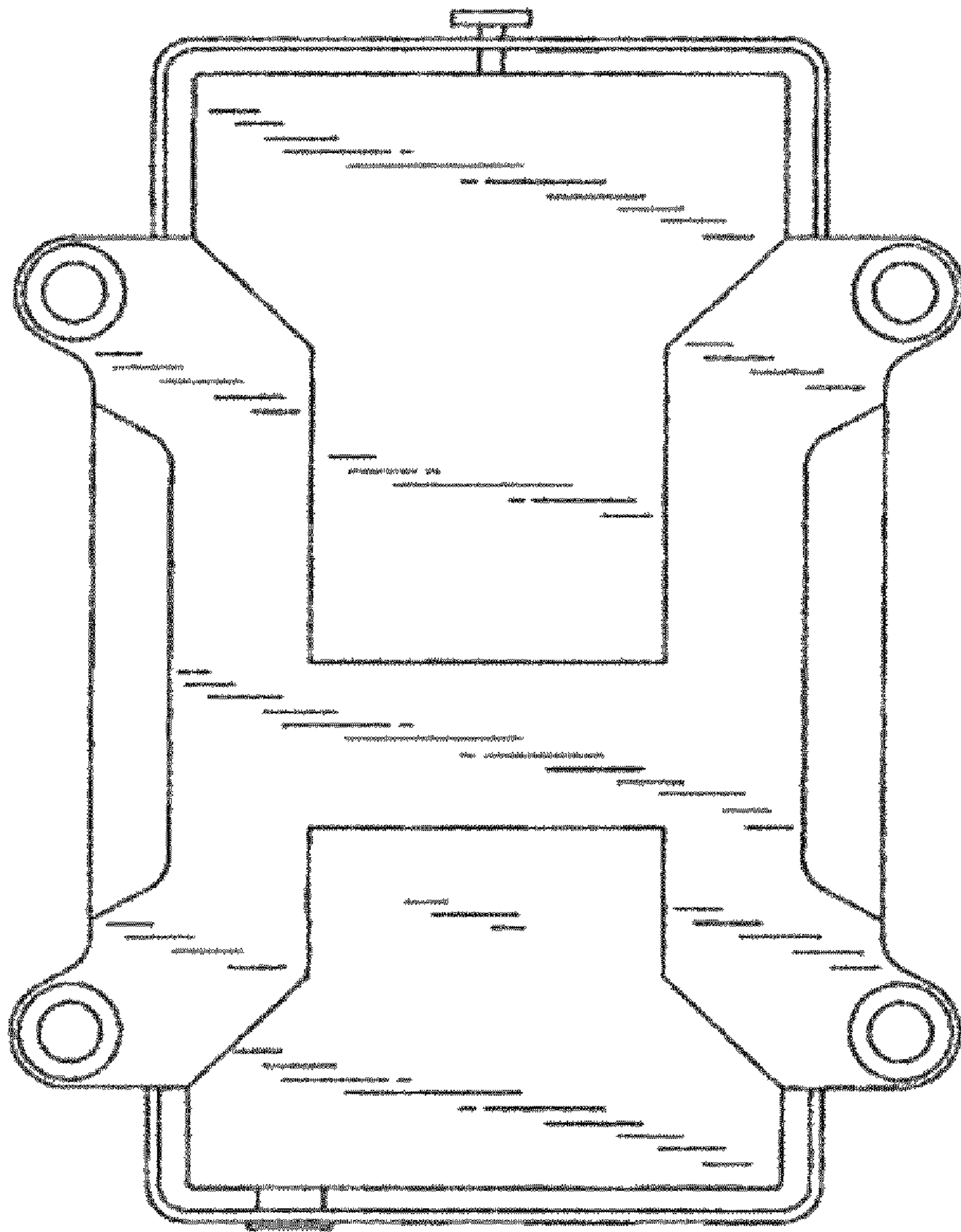




FIG. 7

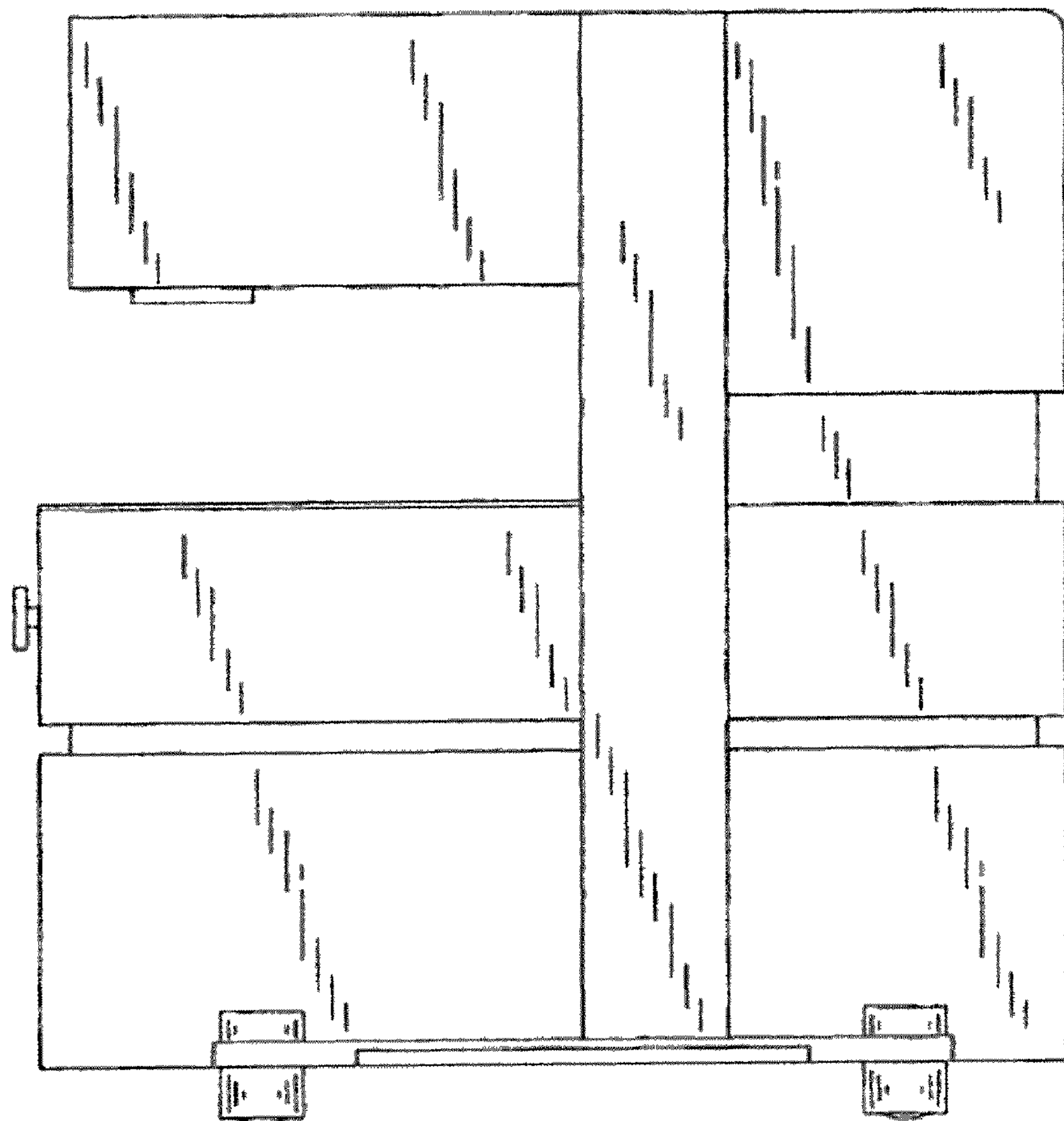


FIG. 8

