



US00D663336S

(12) **United States Design Patent**
Matuschek et al.

(10) **Patent No.:** **US D663,336 S**

(45) **Date of Patent:** **** Jul. 10, 2012**

(54) **TUBE FOR SURGICAL MICROSCOPE**

(75) Inventors: **Walter Matuschek**, Aalen (DE);
Graham Keevy, Aalen (DE)

(73) Assignee: **Carl Zeiss Meditec AG**, Jena (DE)

(**) Term: **14 Years**

(21) Appl. No.: **29/384,048**

(22) Filed: **Jan. 26, 2011**

(30) **Foreign Application Priority Data**

Jul. 27, 2010 (EM) 001226914-0001

(51) **LOC (9) Cl.** **16-06**

(52) **U.S. Cl.** **D16/131**

(58) **Field of Classification Search** D24/150;
D16/130, 131; 359/363, 385, 391, 374, 384,
359/601, 448, 389

See application file for complete search history.

(56) **References Cited**

U.S. PATENT DOCUMENTS

D460,772	S *	7/2002	Apotheloz	D16/131
D461,201	S *	8/2002	Apotheloz	D16/131
D502,194	S *	2/2005	Suzuki et al.	D16/131
6,937,390	B2 *	8/2005	Akiyama et al.	359/381
D579,959	S *	11/2008	Apotheloz	D16/131
7,760,426	B2 *	7/2010	Hege et al.	359/384

D632,789	S *	2/2011	Mueller et al.	D24/150
7,901,080	B2 *	3/2011	Hauger et al.	351/246
7,982,949	B2 *	7/2011	Takagi	359/384

* cited by examiner

Primary Examiner — Ian Simmons

Assistant Examiner — Carissa C Fitts

(74) *Attorney, Agent, or Firm* — Walter Ottesen

(57) **CLAIM**

The ornamental design for a tube for surgical microscope, as shown and described.

DESCRIPTION

FIG. 1 is a front perspective view of the tube for surgical microscope of our new design;

FIG. 2 is a rear perspective view of said tube for surgical microscope of FIG. 1;

FIG. 3 is a left side elevation view of said tube for surgical microscope of FIG. 1;

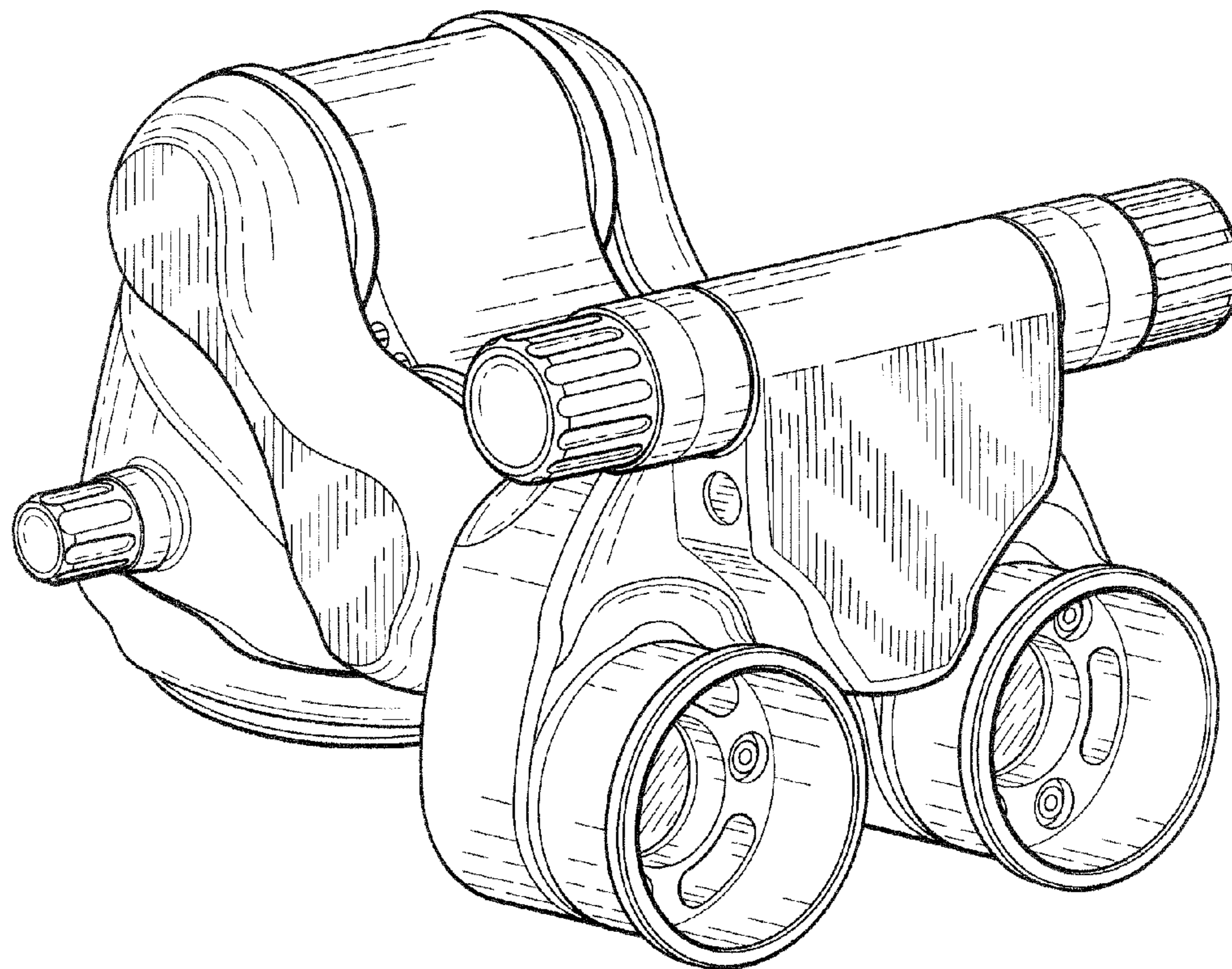
FIG. 4 is a front elevation view of said tube for surgical microscope of FIG. 1;

FIG. 5 is a top plan view of said tube for surgical microscope of FIG. 1;

FIG. 6 is a rear elevation view of said tube for surgical microscope of FIG. 1; and,

FIG. 7 is a right side elevation view of said tube for surgical microscope of FIG. 1.

1 Claim, 5 Drawing Sheets



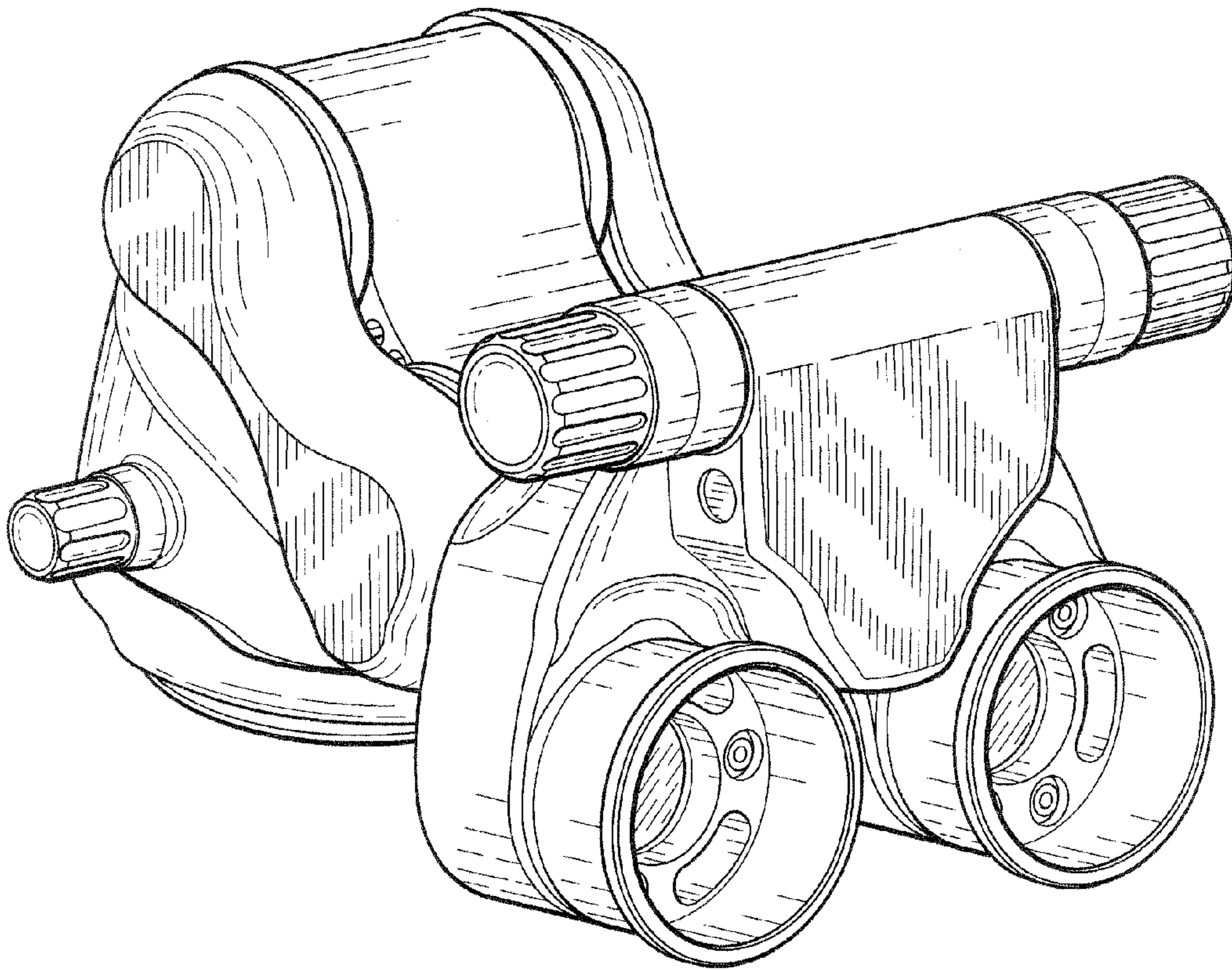


FIG. 1

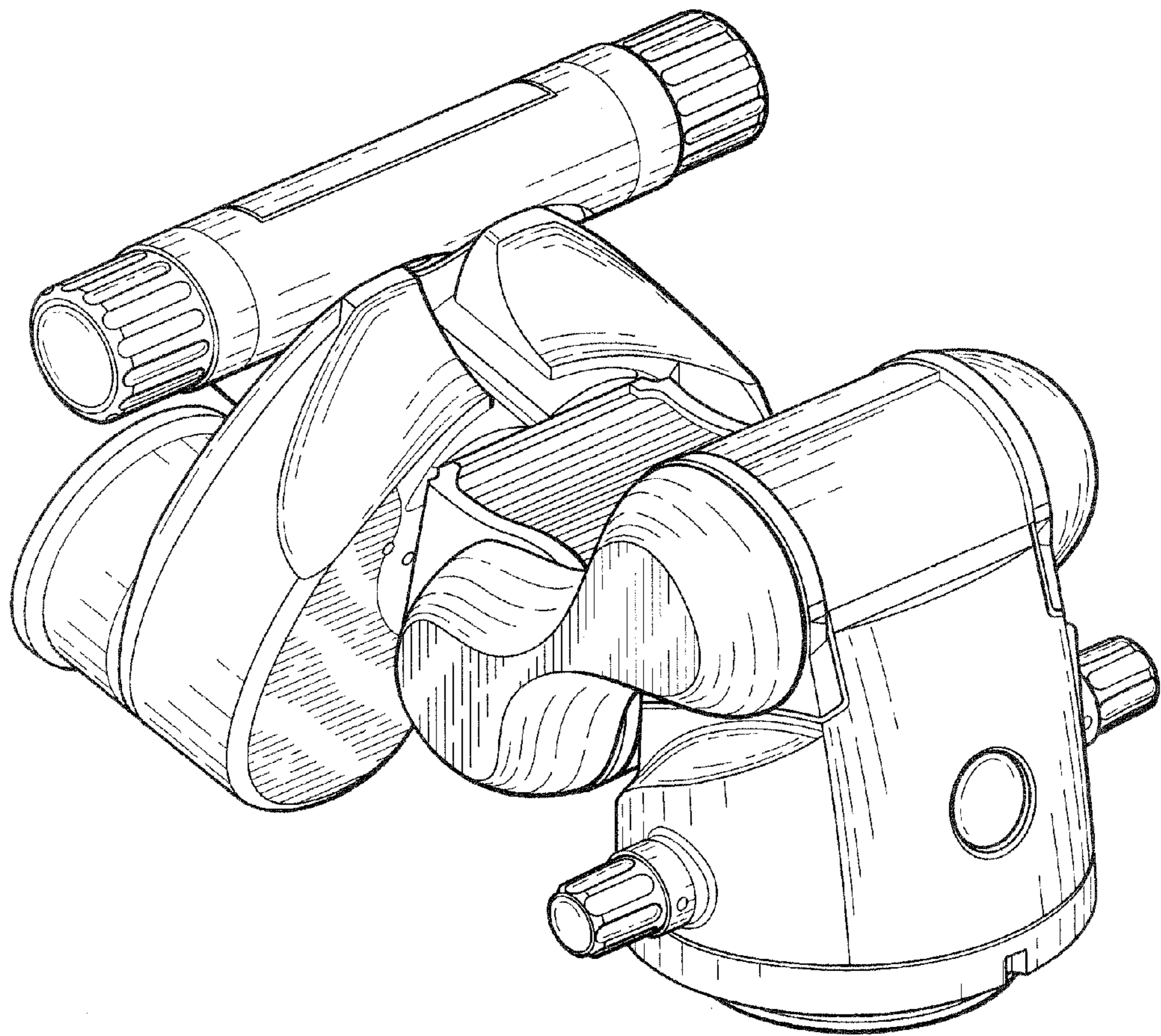


FIG. 2

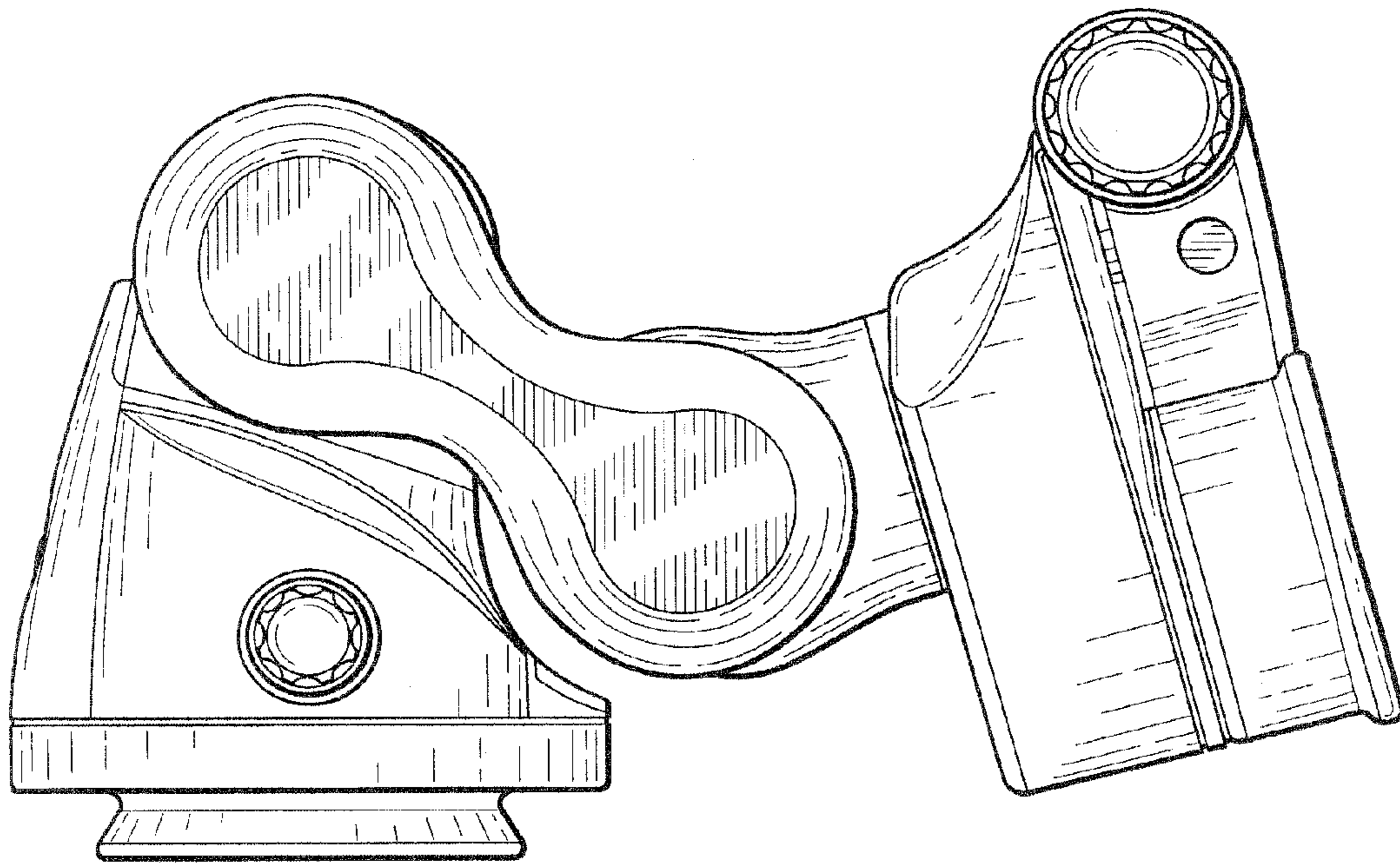


FIG. 3

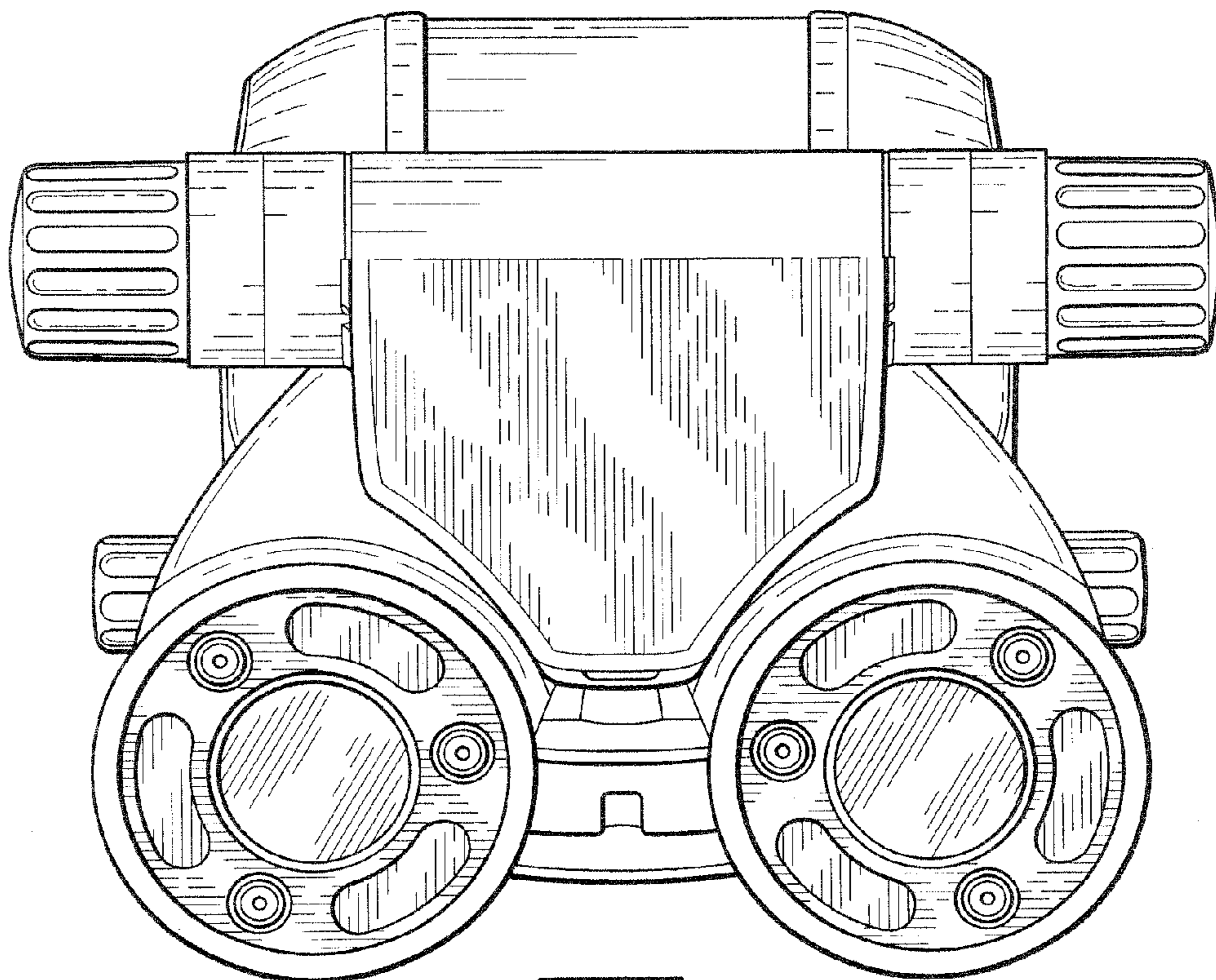


FIG. 4

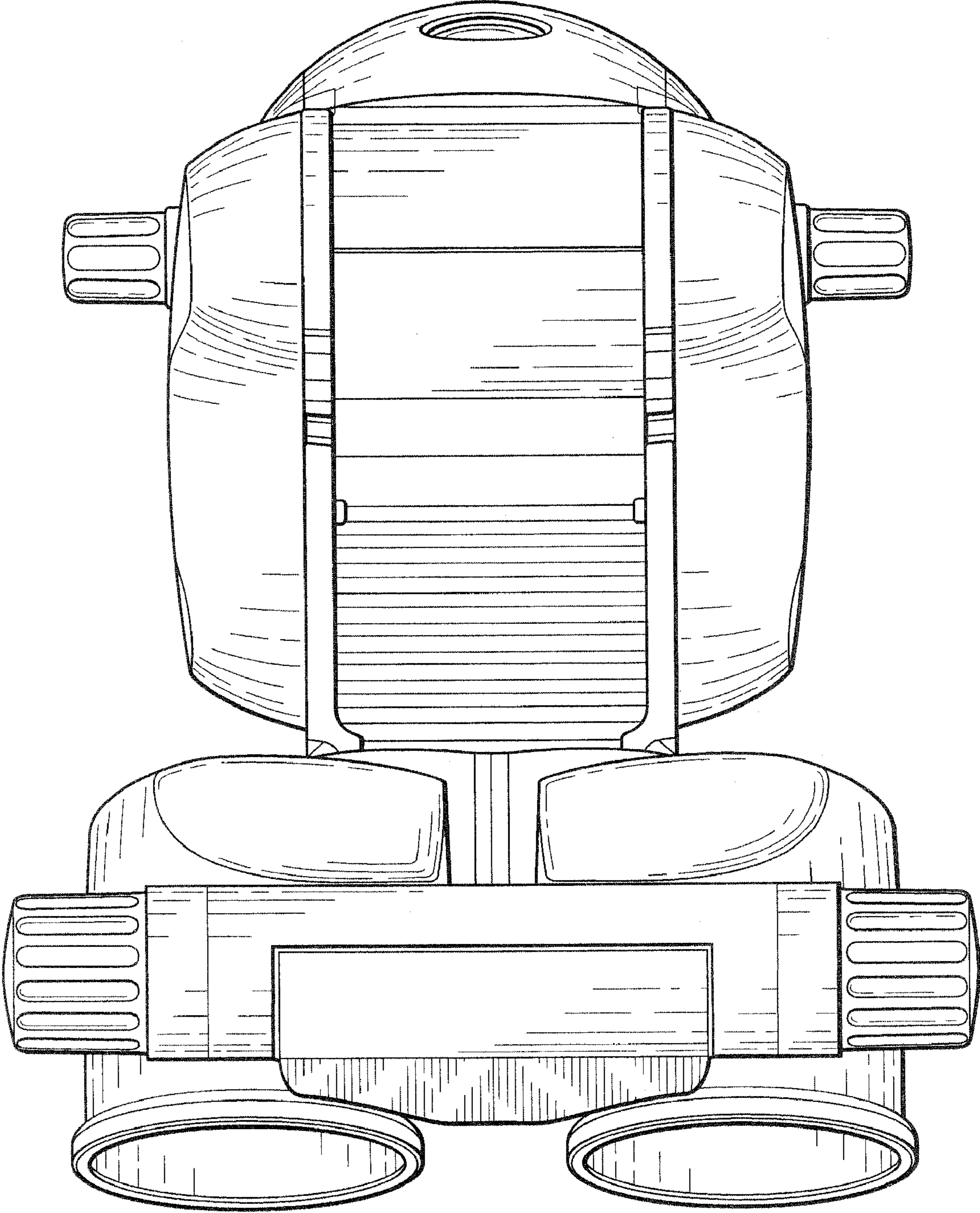


FIG. 5

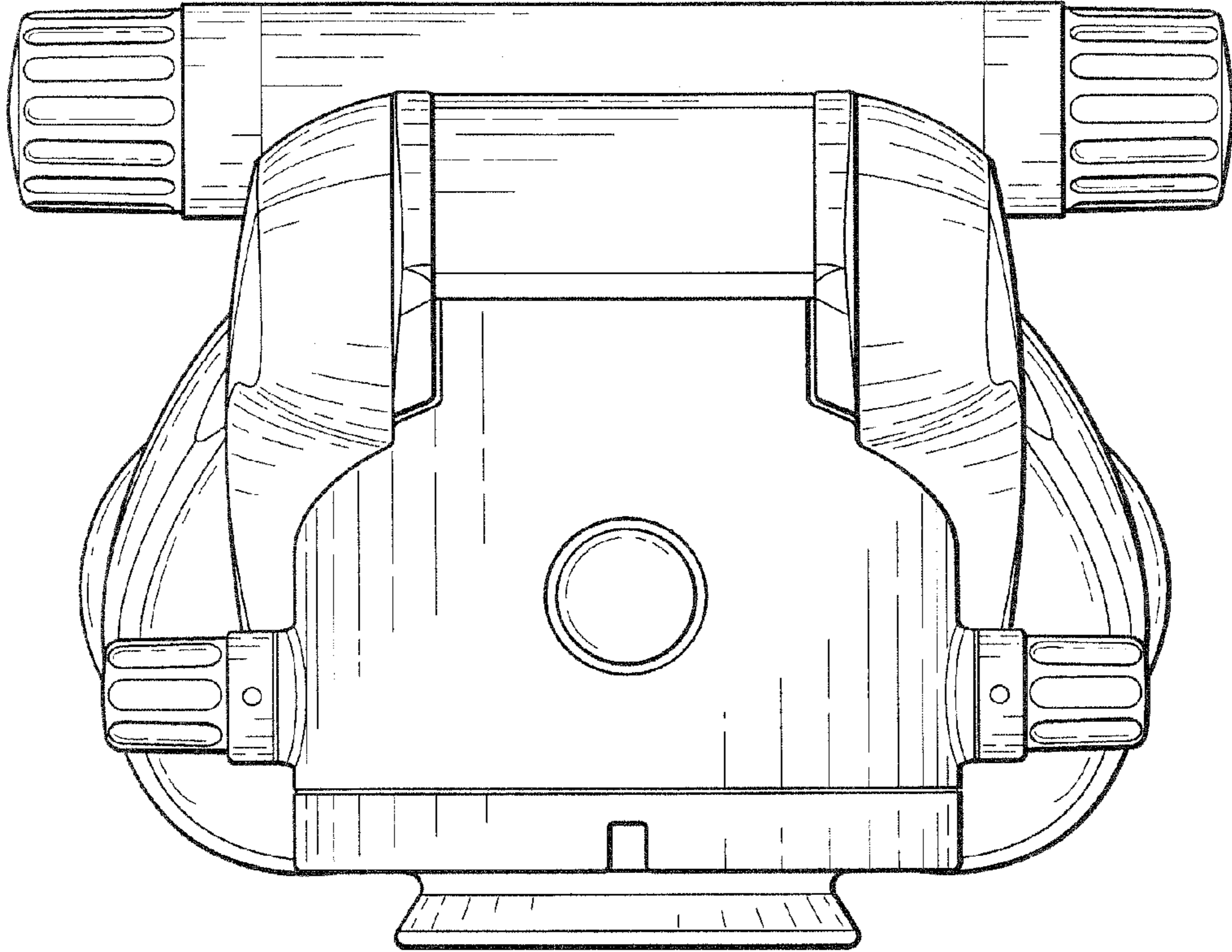


FIG. 6

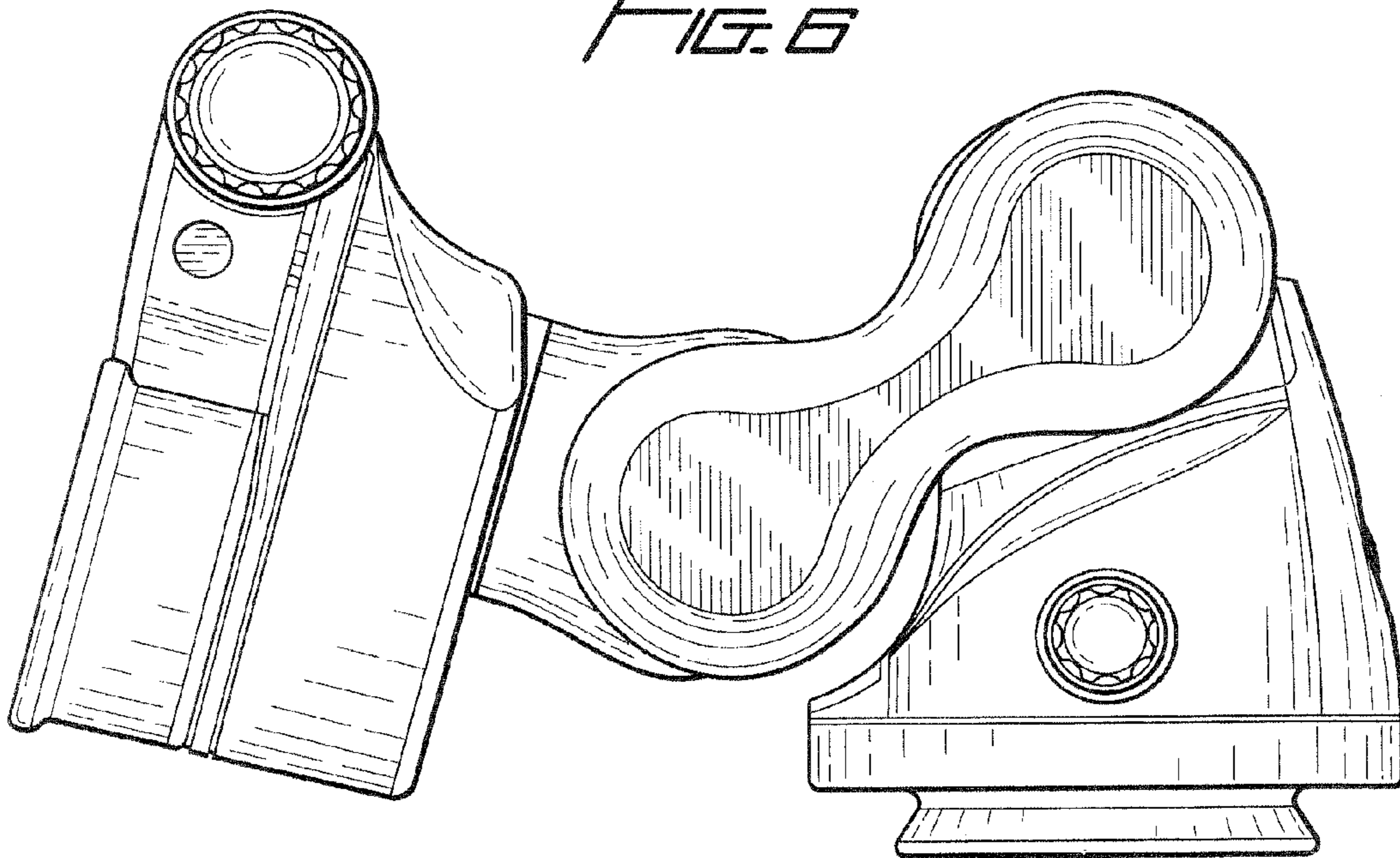


FIG. 7