



US00D663331S

(12) **United States Design Patent**  
**Day et al.**

(10) **Patent No.:** **US D663,331 S**  
(45) **Date of Patent:** **\*\* Jul. 10, 2012**

- (54) **VACUUM SEALING APPLIANCE**
- (75) Inventors: **Adam Day**, Boynton Beach, FL (US);  
**Jason J. Cooper**, Watertown, MA (US)
- (73) Assignee: **Sunbeam Products, Inc.**, Boca Raton,  
FL (US)
- (\*\*) Term: **14 Years**
- (21) Appl. No.: **29/414,931**
- (22) Filed: **Mar. 6, 2012**
- (51) **LOC (9) Cl.** ..... **15-99**
- (52) **U.S. Cl.** ..... **D15/146**
- (58) **Field of Classification Search** ..... D15/145,  
D15/146; D18/50, 51, 53, 54; 53/373, 374.8,  
53/374.9, 389.2, 389.3, 390, 405, 432-434,  
53/510-512; 101/9; 156/497, 515, 583.1-583.91;  
219/143, 227, 229, 230, 233, 240, 243, 256  
See application file for complete search history.

- D483,059 S \* 12/2003 Goh et al. .... D18/50
- D506,214 S \* 6/2005 Zepter ..... D15/146
- D579,957 S \* 11/2008 Kiple et al. .... D15/145
- D597,572 S \* 8/2009 Tsai ..... D15/146
- D633,118 S \* 2/2011 Beatty et al. .... D15/146
- D658,694 S \* 5/2012 Day et al. .... D15/146
- 2005/0022480 A1 \* 2/2005 Brakes ..... 53/512
- 2007/0193230 A1 \* 8/2007 Bapista ..... 53/510

\* cited by examiner

*Primary Examiner* — Patricia Palasik  
(74) *Attorney, Agent, or Firm* — Michael J. Corrigan

(57) **CLAIM**  
The ornamental design for the vacuum sealing appliance, as shown and described.

**DESCRIPTION**

FIG. 1 is a front perspective view of the vacuum sealing appliance;  
FIG. 2 is a front view thereof;  
FIG. 3 is a rear view thereof;  
FIG. 4 is right side view thereof;  
FIG. 5 is a left side view thereof; and,  
FIG. 6 is a top view thereof.  
The portion shown in dashed lines is shown for illustrative purposes only and forms no part of the claimed design.

**1 Claim, 3 Drawing Sheets**

- (56) **References Cited**
- U.S. PATENT DOCUMENTS
- D301,238 S \* 5/1989 Makihara ..... D15/146
- D358,827 S \* 5/1995 Fung ..... D15/146
- 5,893,822 A \* 4/1999 Deni et al. .... 53/512
- D436,970 S \* 1/2001 Choi ..... D15/136

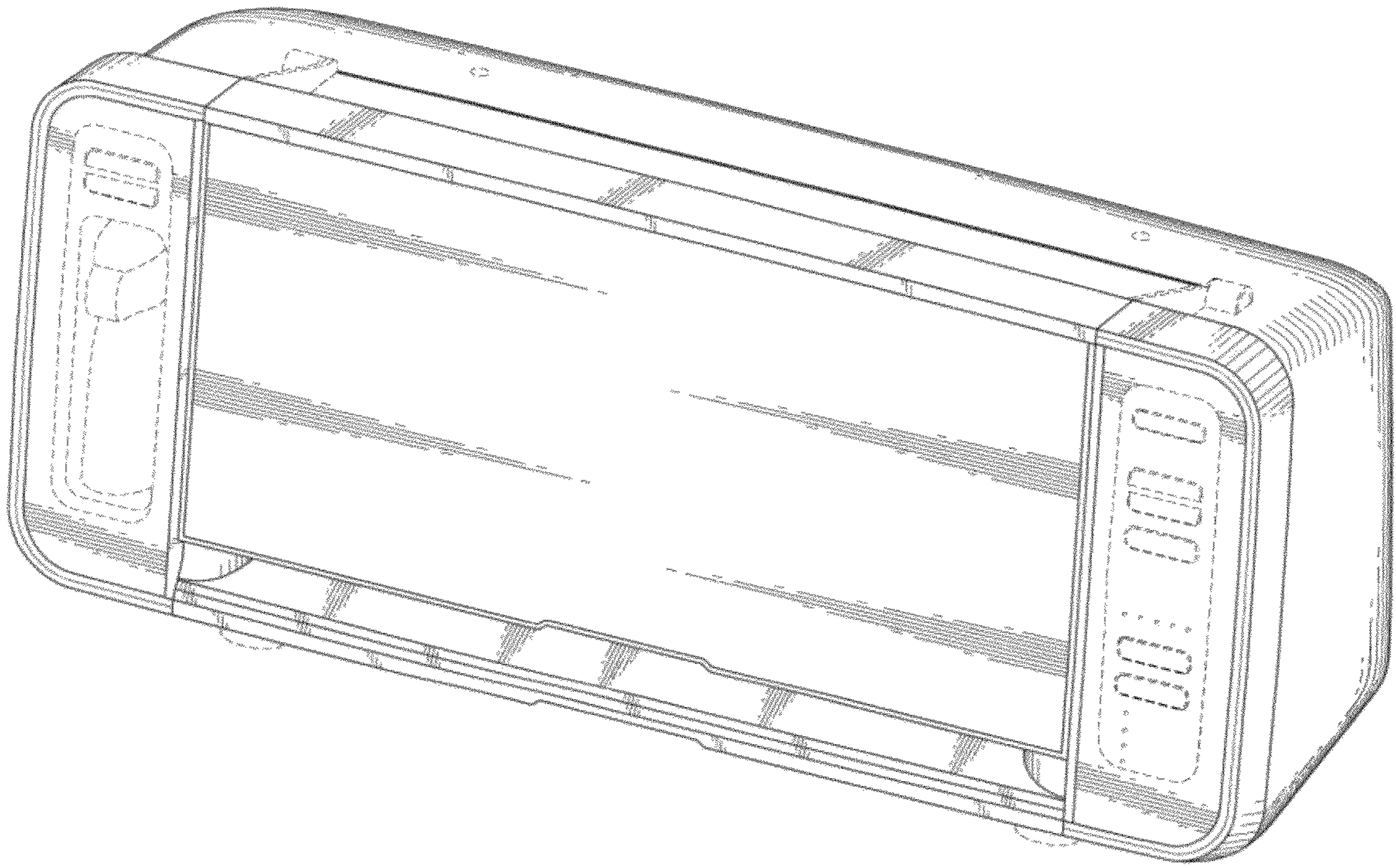


FIG. 1

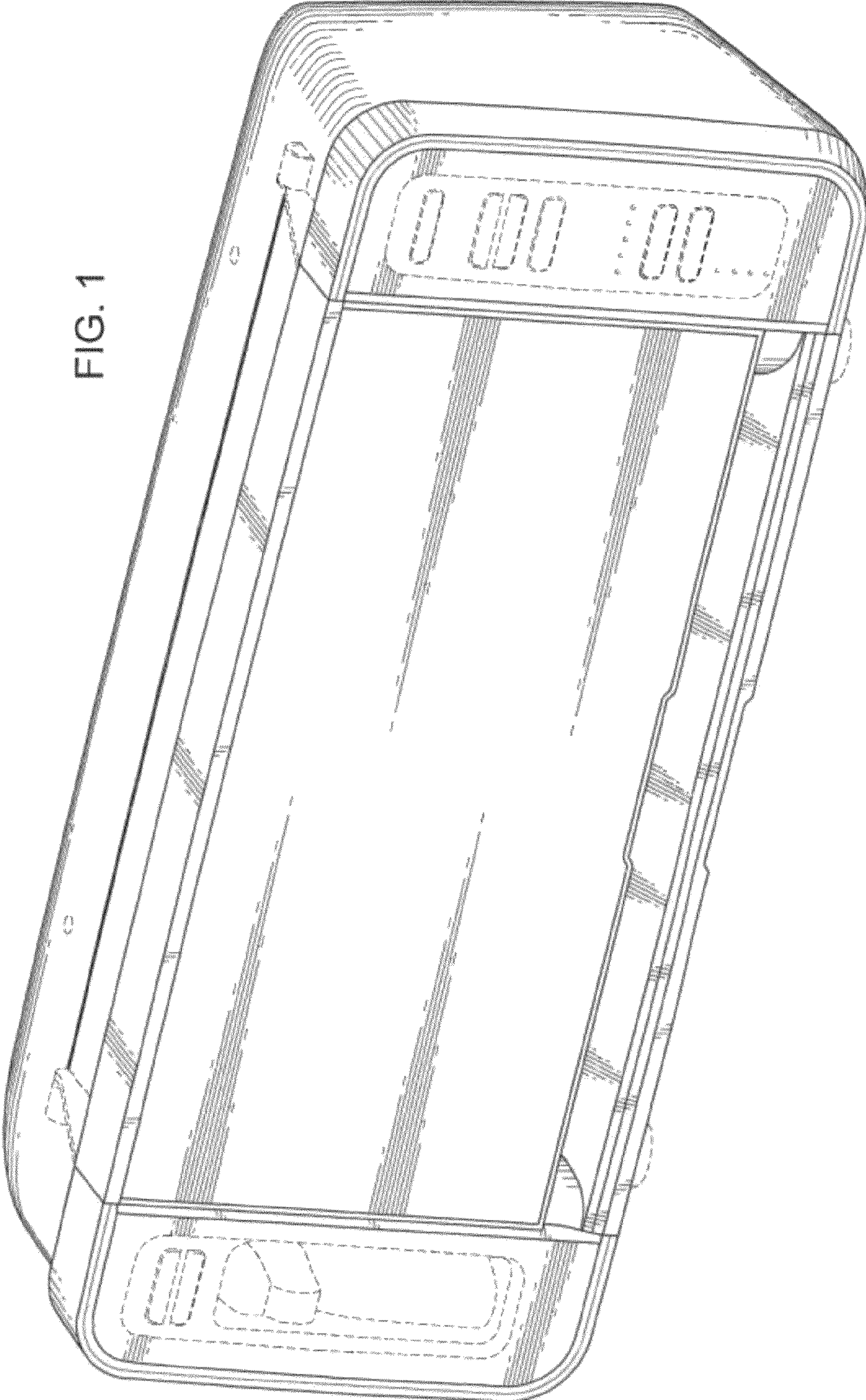


FIG. 2

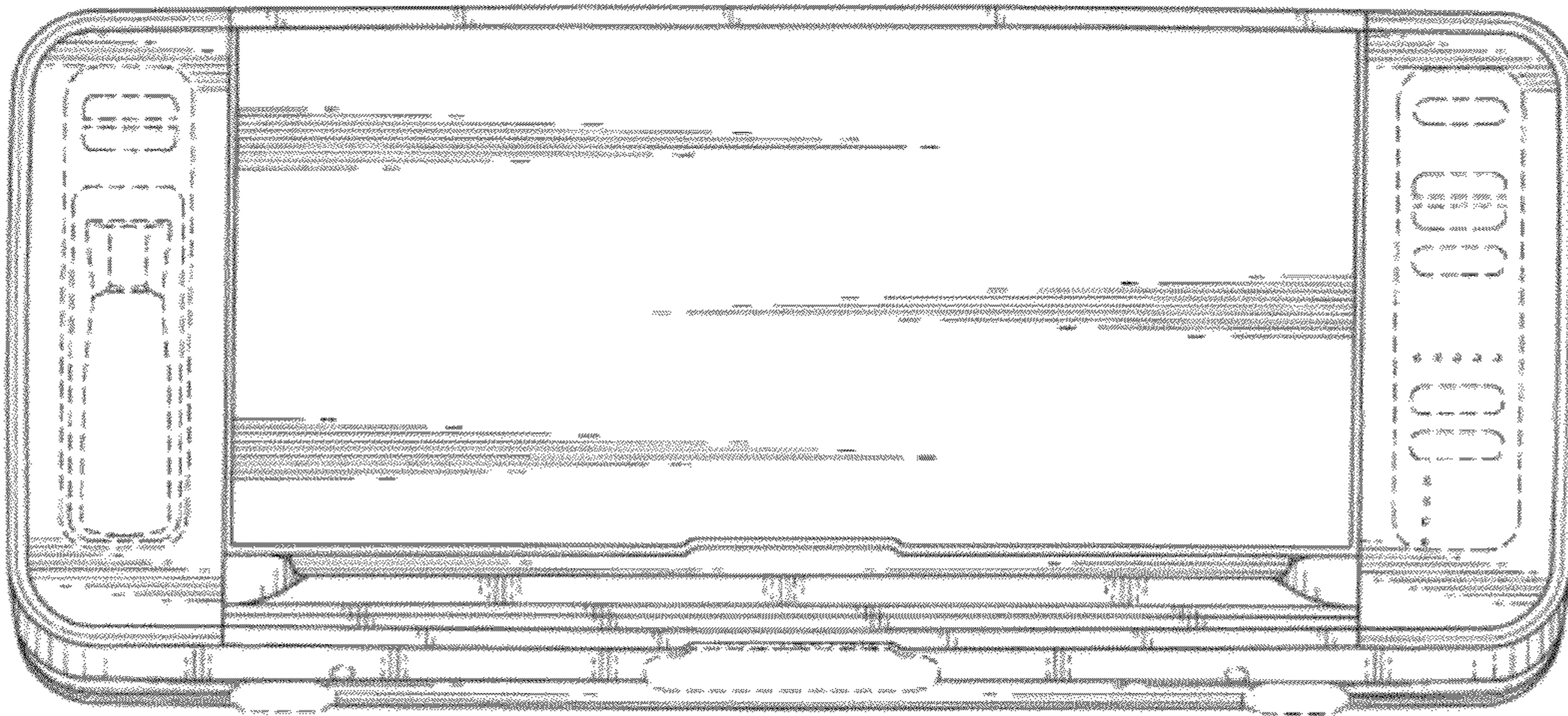


FIG. 3

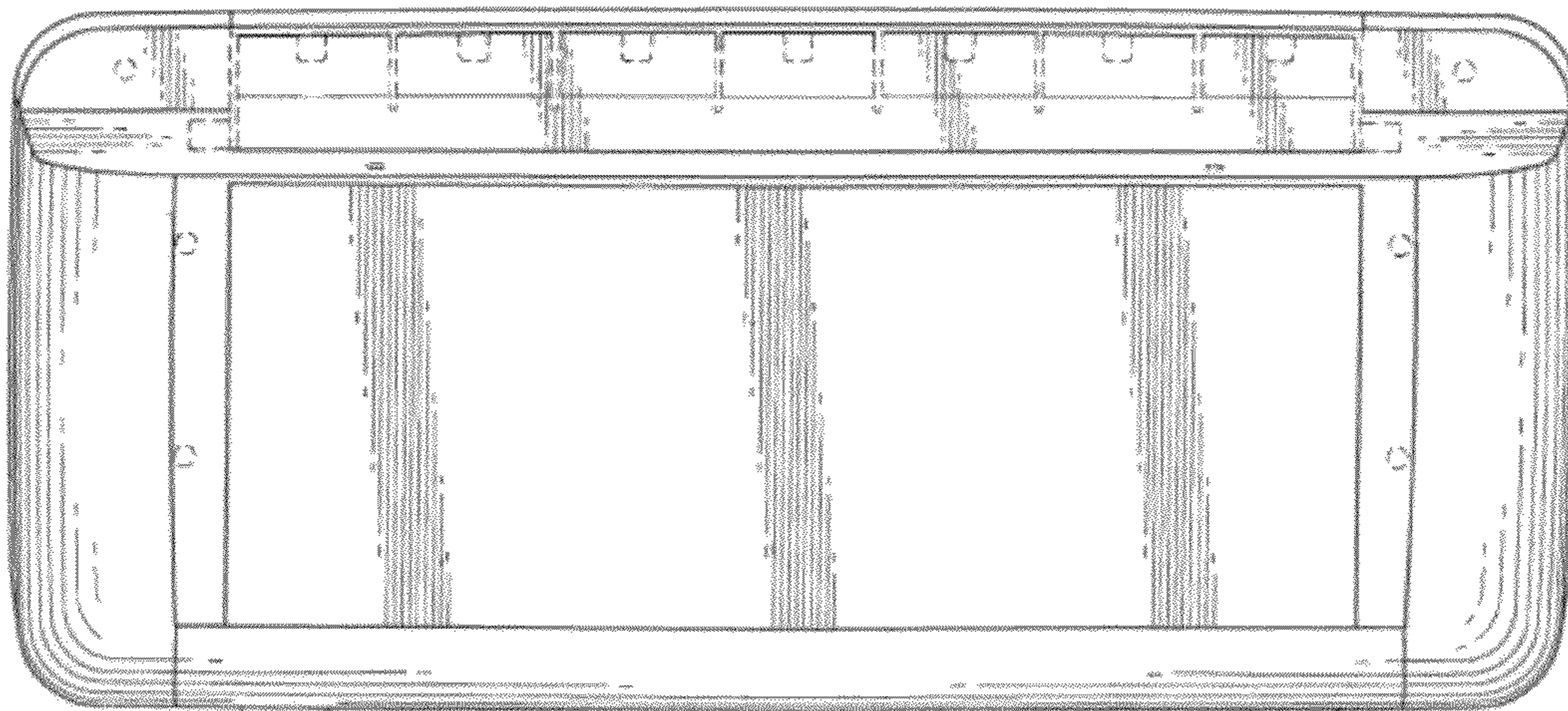


FIG. 4

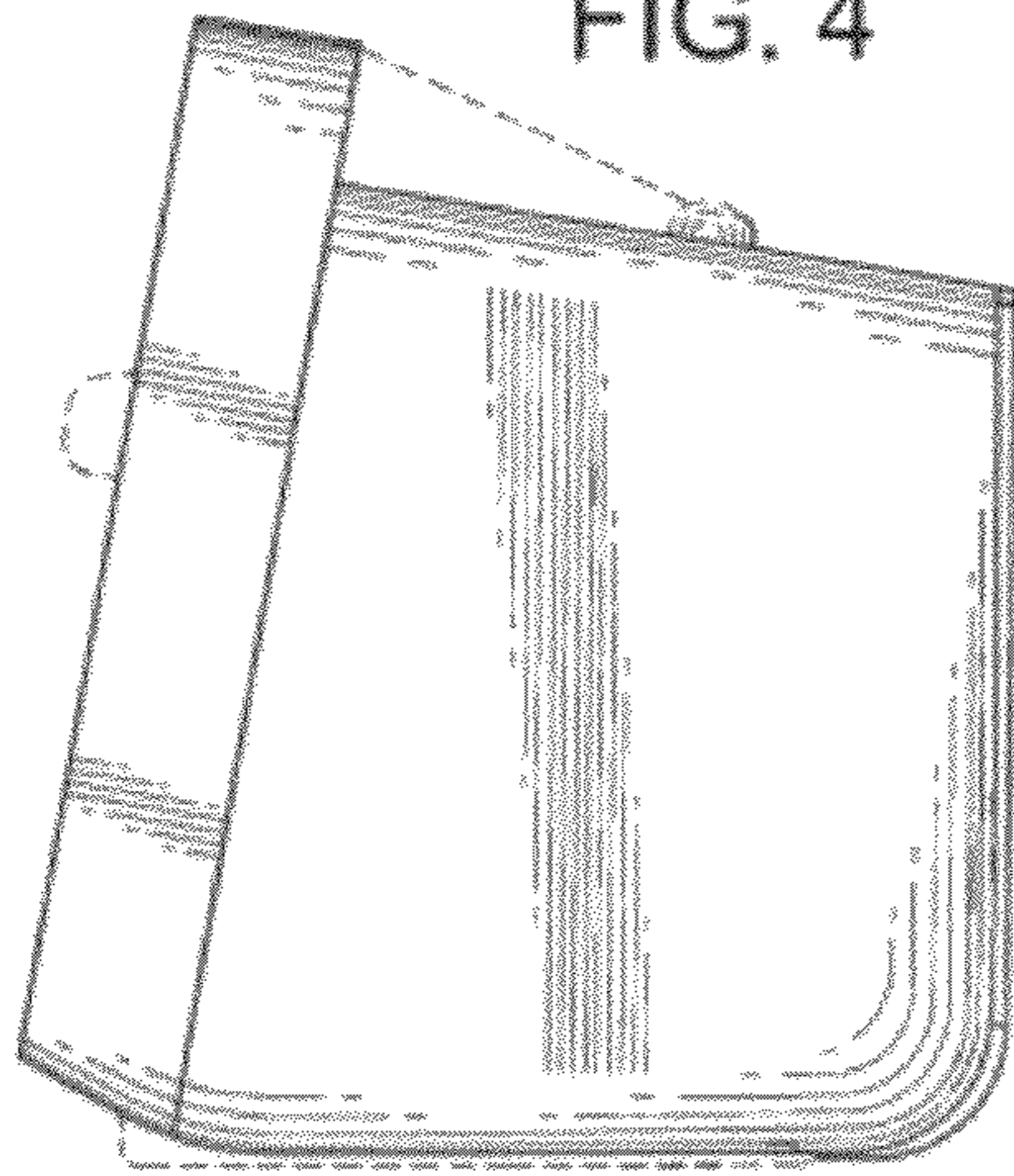


FIG. 5

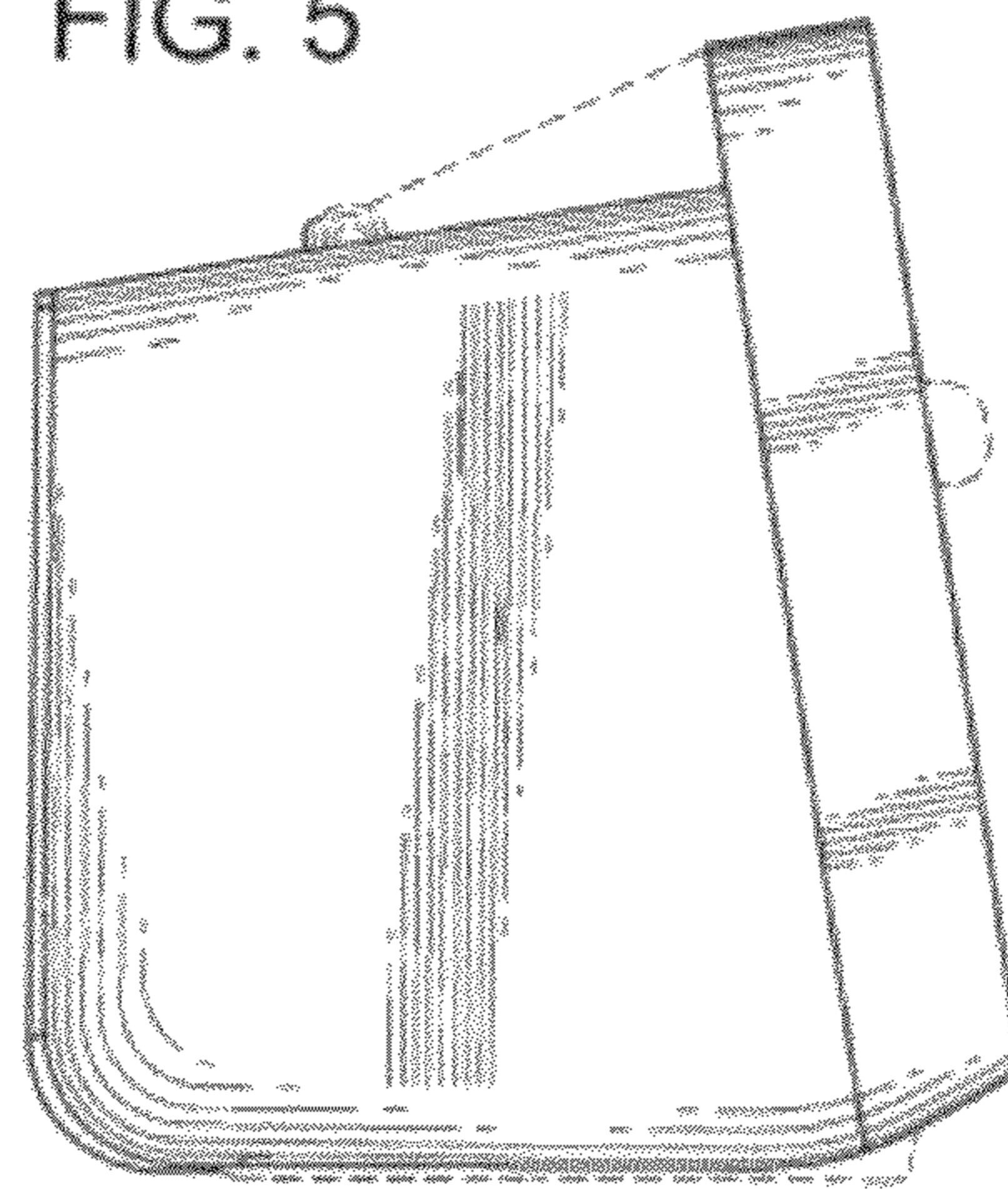


FIG. 6

