



US00D663330S

(12) **United States Design Patent**
Brown

(10) **Patent No.:** **US D663,330 S**

(45) **Date of Patent:** **** Jul. 10, 2012**

(54) **EYELET REMOVAL DIE SET**

(76) Inventor: **Michael C. Brown**, Greensboro, NC
(US)

(**) Term: **14 Years**

(21) Appl. No.: **29/413,485**

(22) Filed: **Feb. 16, 2012**

(51) **LOC (9) Cl.** **15-09**

(52) **U.S. Cl.** **D15/136**

(58) **Field of Classification Search** D15/122,
D15/128; 8/34 B, 54, 243.53, 243, 407.09,
8/524.1, 525.06; 72/455; 227/51, 61, 62
See application file for complete search history.

(56) **References Cited**

U.S. PATENT DOCUMENTS

| | | | | |
|--------------|------|---------|---------------------|-----------|
| 1,783,445 | A * | 12/1930 | Olson et al. | 29/34 B |
| 1,808,041 | A * | 6/1931 | Johnson, Jr. et al. | 29/34 B |
| 3,160,046 | A * | 12/1964 | Bredow | 83/130 |
| 3,268,960 | A * | 8/1966 | Morton | 164/257 |
| 3,747,193 | A * | 7/1973 | Gregory | 29/243.53 |
| 3,839,935 | A * | 10/1974 | Daniels | 83/104 |
| D253,892 | S * | 1/1980 | Humphreys | D15/128 |
| 4,364,256 | A * | 12/1982 | Garlaschi | 72/356 |
| D274,186 | S * | 6/1984 | Asai et al. | D15/122 |
| 4,545,232 | A * | 10/1985 | Martin et al. | 72/356 |
| 4,784,591 | A * | 11/1988 | Ackermann | 425/116 |
| 5,673,839 | A * | 10/1997 | Howard et al. | 227/119 |
| 6,421,900 | B1 * | 7/2002 | Hunt | 29/243.53 |
| 6,517,879 | B2 * | 2/2003 | Capodieci | 426/238 |
| 6,546,609 | B1 * | 4/2003 | Lee et al. | 29/243.53 |
| 6,564,611 | B2 * | 5/2003 | Harrington et al. | 72/481.2 |
| 6,964,094 | B2 * | 11/2005 | Kondo | 29/798 |
| 7,509,721 | B1 * | 3/2009 | Liang | 29/243.53 |
| D632,318 | S * | 2/2011 | Sindlinger | D15/128 |
| 2001/0039713 | A1 * | 11/2001 | Speller, Jr. et al. | 29/525.06 |
| 2003/0121133 | A1 * | 7/2003 | Yagawa | 29/243.53 |
| 2005/0050706 | A1 * | 3/2005 | Motzno | 29/426.5 |

| | | | | |
|--------------|------|--------|-----------------|-----------|
| 2006/0053643 | A1 * | 3/2006 | Adrian | 33/286 |
| 2006/0090320 | A1 * | 5/2006 | Matthews et al. | 29/407.09 |
| 2008/0178454 | A1 * | 7/2008 | Morris et al. | 29/432.2 |
| 2011/0126396 | A1 * | 6/2011 | Clarke et al. | 29/525.06 |

* cited by examiner

Primary Examiner — Patricia Palasik

(74) *Attorney, Agent, or Firm* — Walter L. Beavers; Blake P. Hart

(57) **CLAIM**

The ornamental design for an eyelet removal die set, as shown and described.

DESCRIPTION

FIG. 1 is a perspective view of an eyelet removal die set showing my new design;

FIG. 2 is a top plan view thereof, with the bottom plan view, the front elevational view and the rear elevational view all being a mirror image thereof;

FIG. 3 is an end plan view thereof as along lines 3-3 of FIG. 2;

FIG. 4 is an end plan view thereof as along lines 4-4 of FIG. 2;

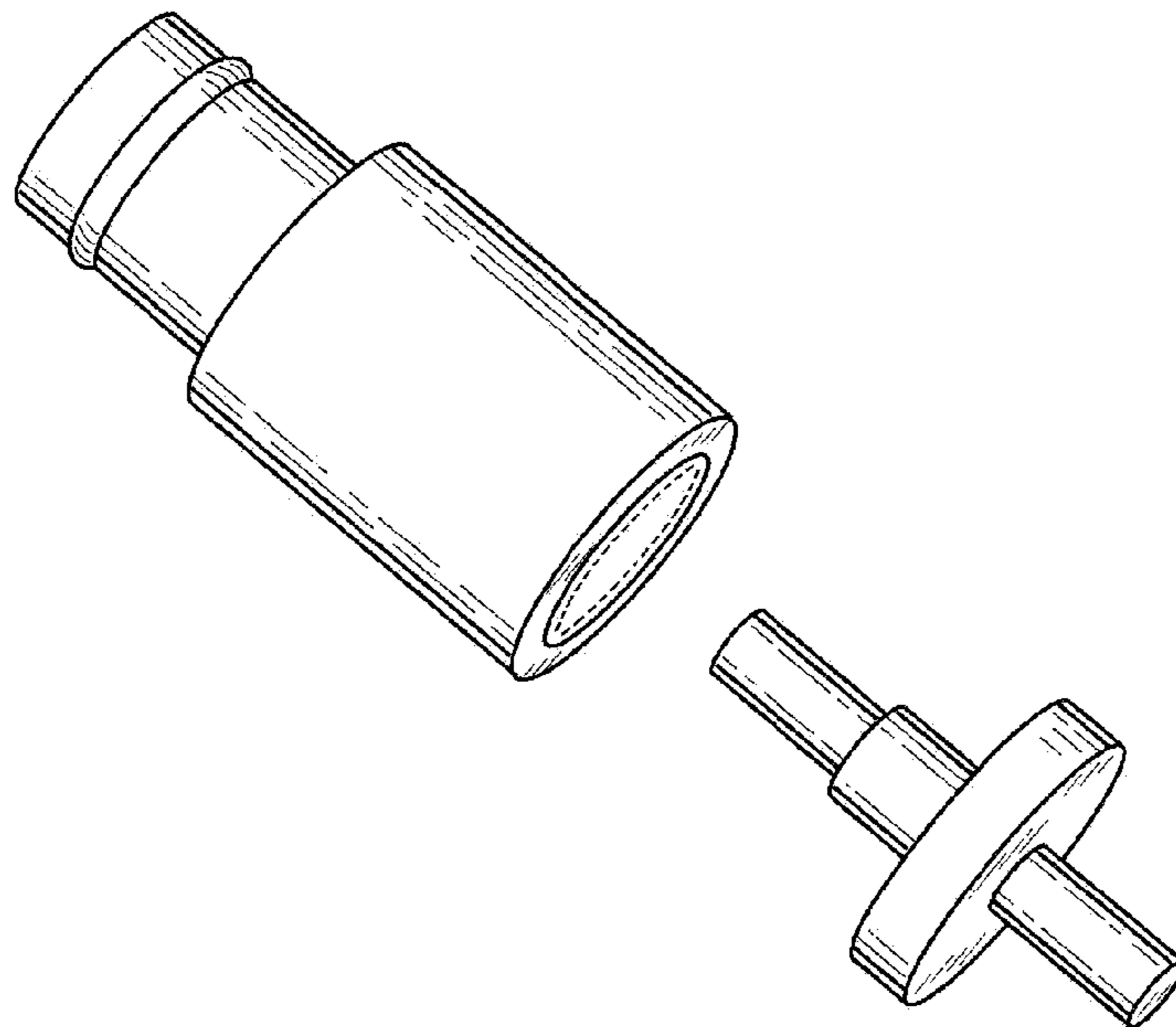
FIG. 5 is an end plan view thereof as along lines 5-5 of FIG. 2;

FIG. 6 is an end plan view thereof as along lines 6-6 of FIG. 2; and,

FIG. 7 shows the eyelet removal die set of the invention in a typical manual press shown in dashed lines for the purpose of illustrating environment which forms no part of the claimed design.

The broken lines in the drawings depict unclaimed environmental subject matter. The above statement has been inserted in the specification preceding the claim.

1 Claim, 2 Drawing Sheets



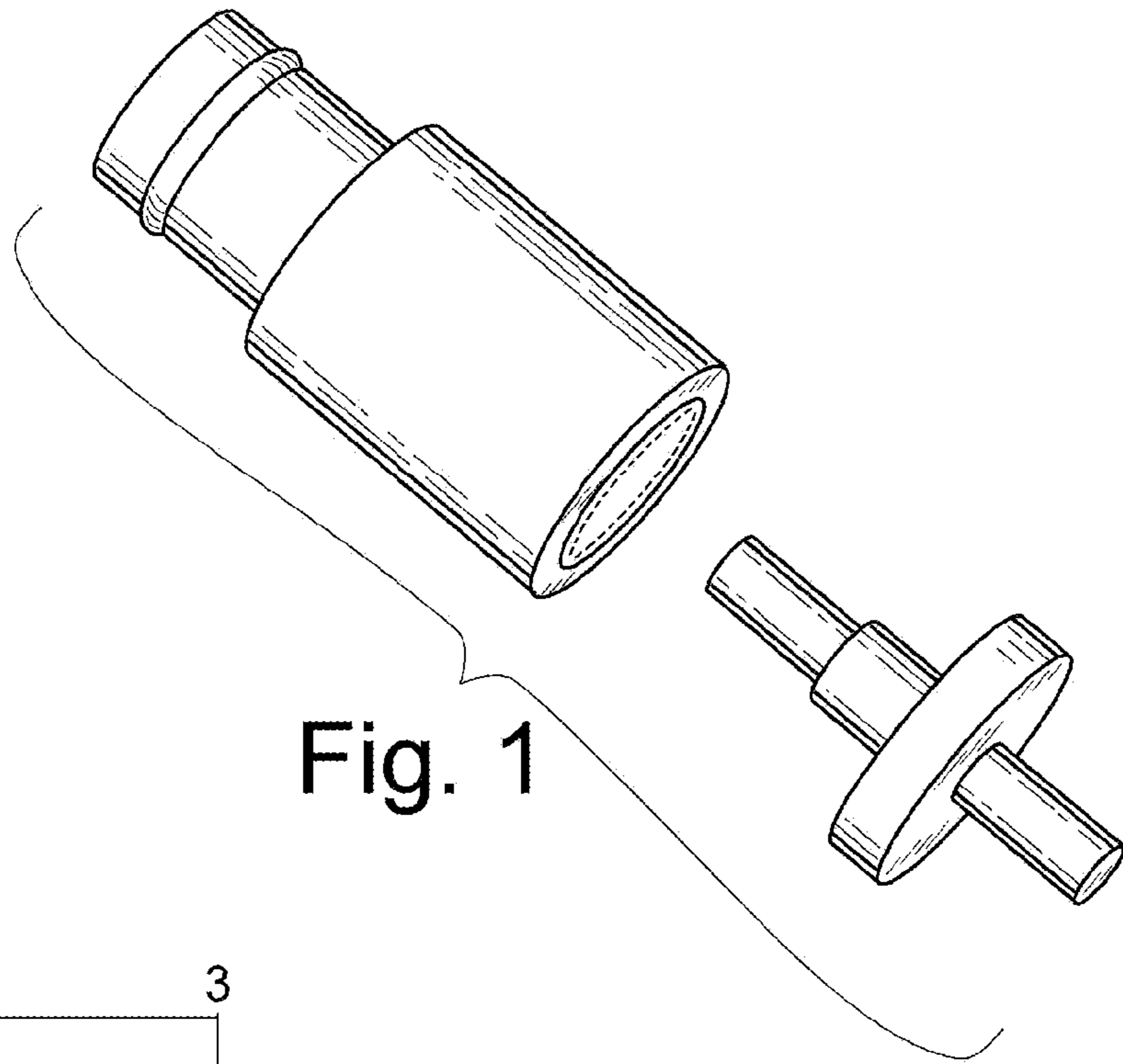


Fig. 1

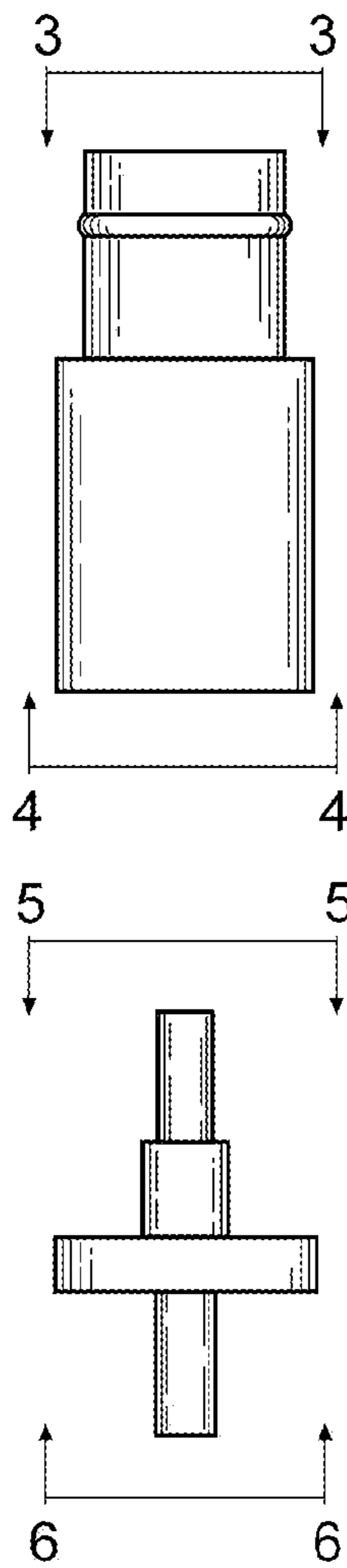


Fig. 2

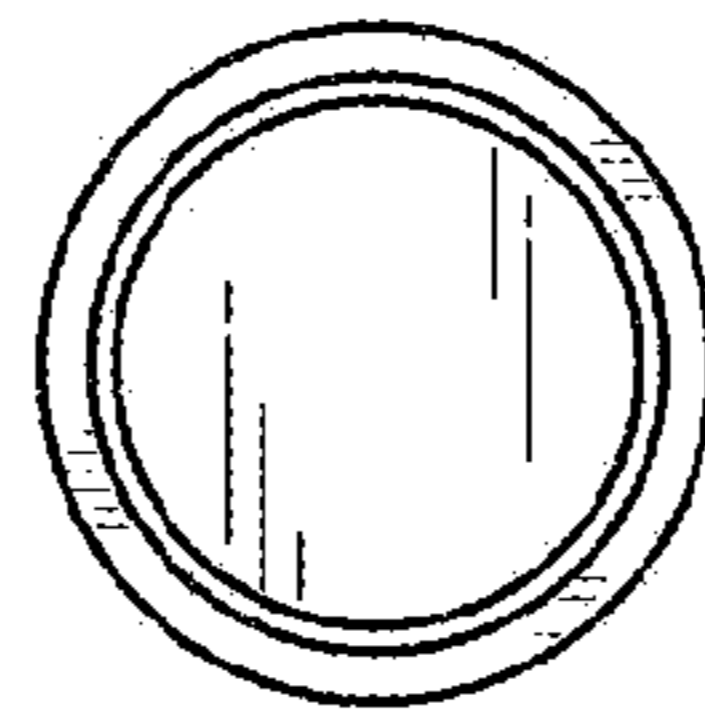


Fig. 3

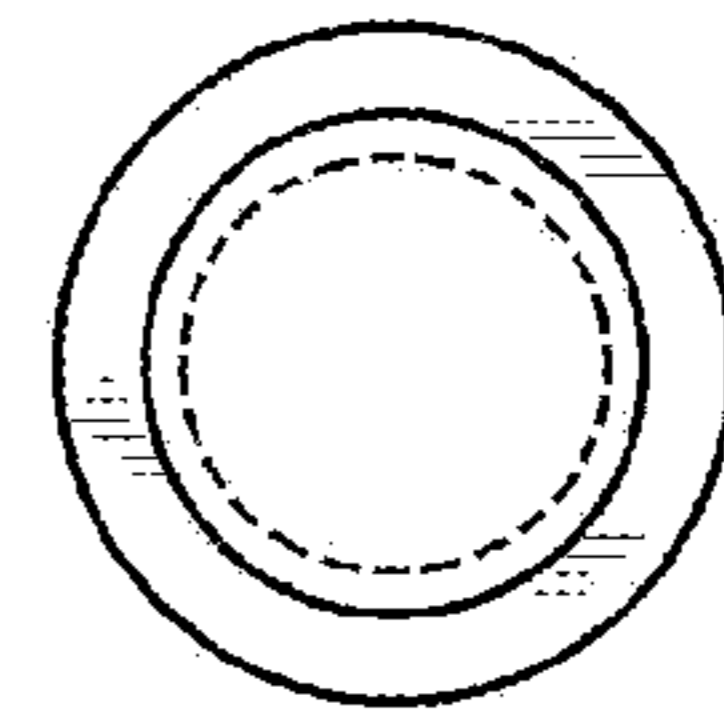


Fig. 4

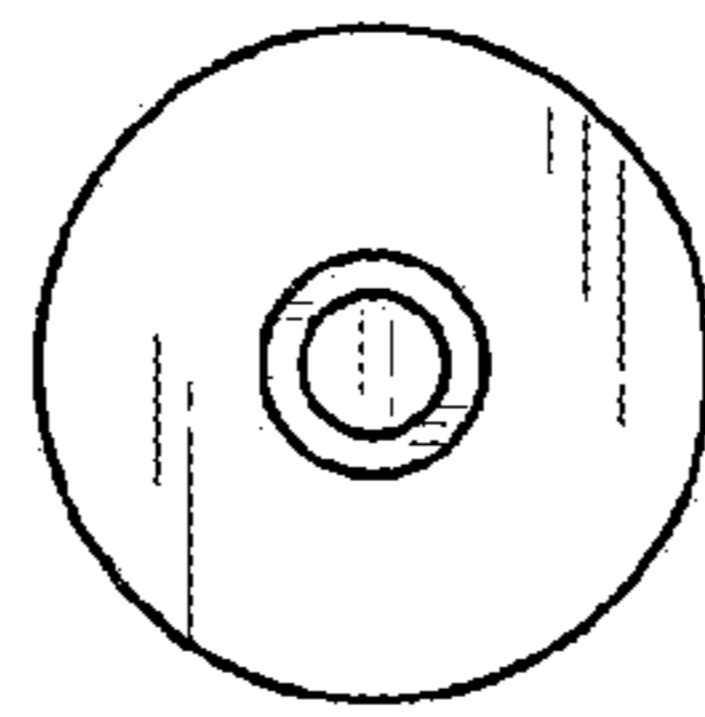


Fig. 5

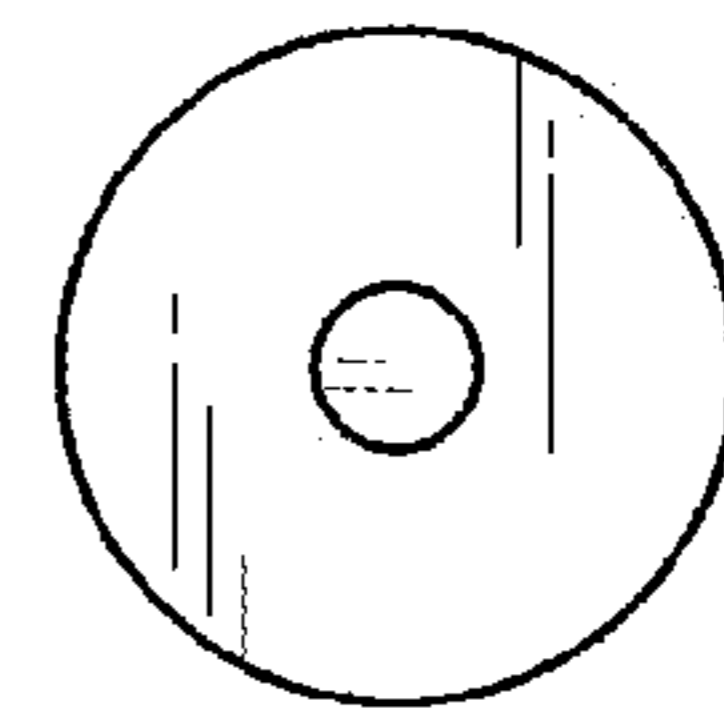


Fig. 6

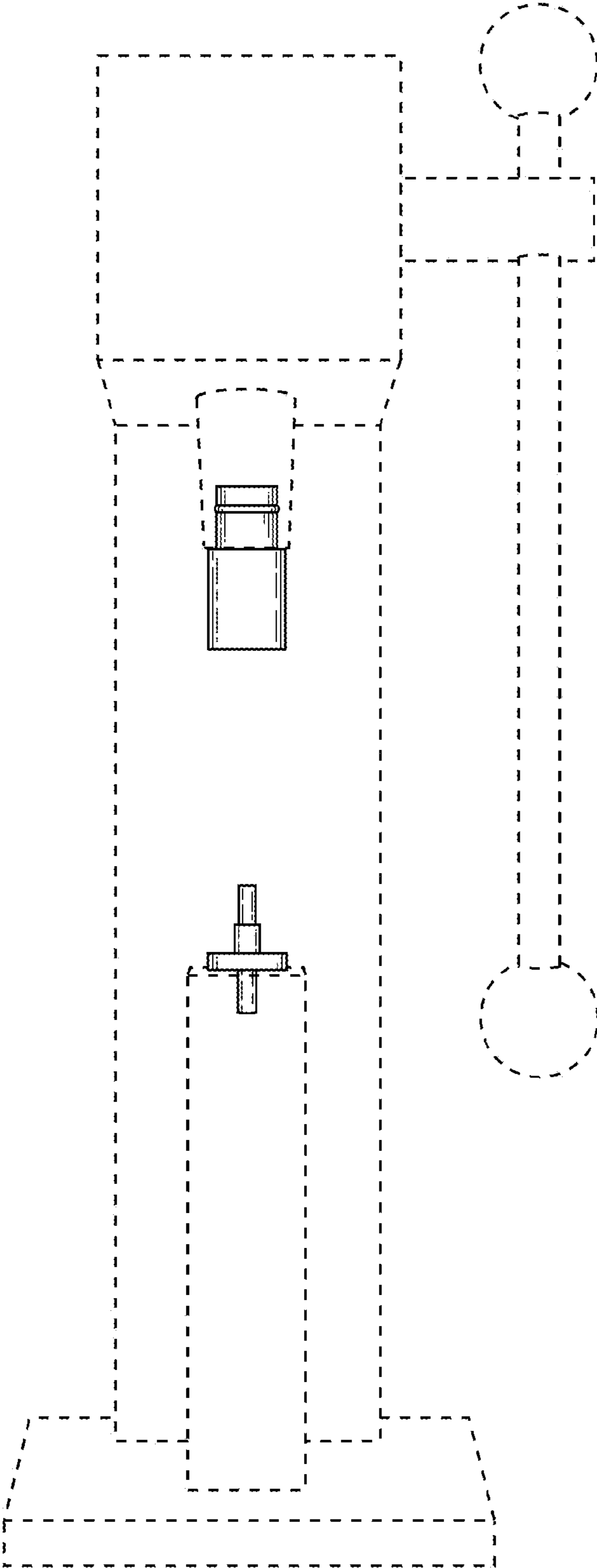


Fig. 7