



US00D663328S

(12) **United States Design Patent**  
**Taylor et al.**

(10) **Patent No.:** **US D663,328 S**  
(45) **Date of Patent:** **\*\* Jul. 10, 2012**

(54) **TABLE SAW**  
(75) Inventors: **Brian Taylor**, Chicago, IL (US); **Jan Koegel**, Oak Park, IL (US)  
(73) Assignee: **Robert Bosch GmbH**, Stuttgart (DE)  
(\*\*) Term: **14 Years**

6,986,370 B1 1/2006 Schoene et al.  
D537,853 S \* 3/2007 Liu et al. .... D15/133  
D545,330 S \* 6/2007 DiPasquale et al. .... D15/133  
D569,402 S \* 5/2008 DiPasquale et al. .... D15/133  
D626,158 S \* 10/2010 Jebb ..... D15/133  
2002/0092397 A1\* 7/2002 Liu ..... 83/471  
2005/0092155 A1 5/2005 Phillips et al.  
2007/0246869 A1 10/2007 Rymarchyk et al.  
2009/0165624 A1\* 7/2009 Brown et al. .... 83/477

(21) Appl. No.: **29/405,698**  
(22) Filed: **Nov. 4, 2011**  
(51) **LOC (9) Cl.** ..... **15-09**  
(52) **U.S. Cl.** ..... **D15/133**  
(58) **Field of Classification Search** ..... D8/61,  
D8/64-69; D15/133, 134; 30/377-378,  
30/388-391; 83/377, 378, 388, 397, 468.3,  
83/469  
See application file for complete search history.

**OTHER PUBLICATIONS**

Bosch Operating/Safety Instructions for Table Saw, Model 4100/4100DG, 92 pages, published at least as early as May 25, 2011.

\* cited by examiner

*Primary Examiner* — Patricia Palasik  
(74) *Attorney, Agent, or Firm* — Maginot, Moore & Beck

(56) **References Cited**

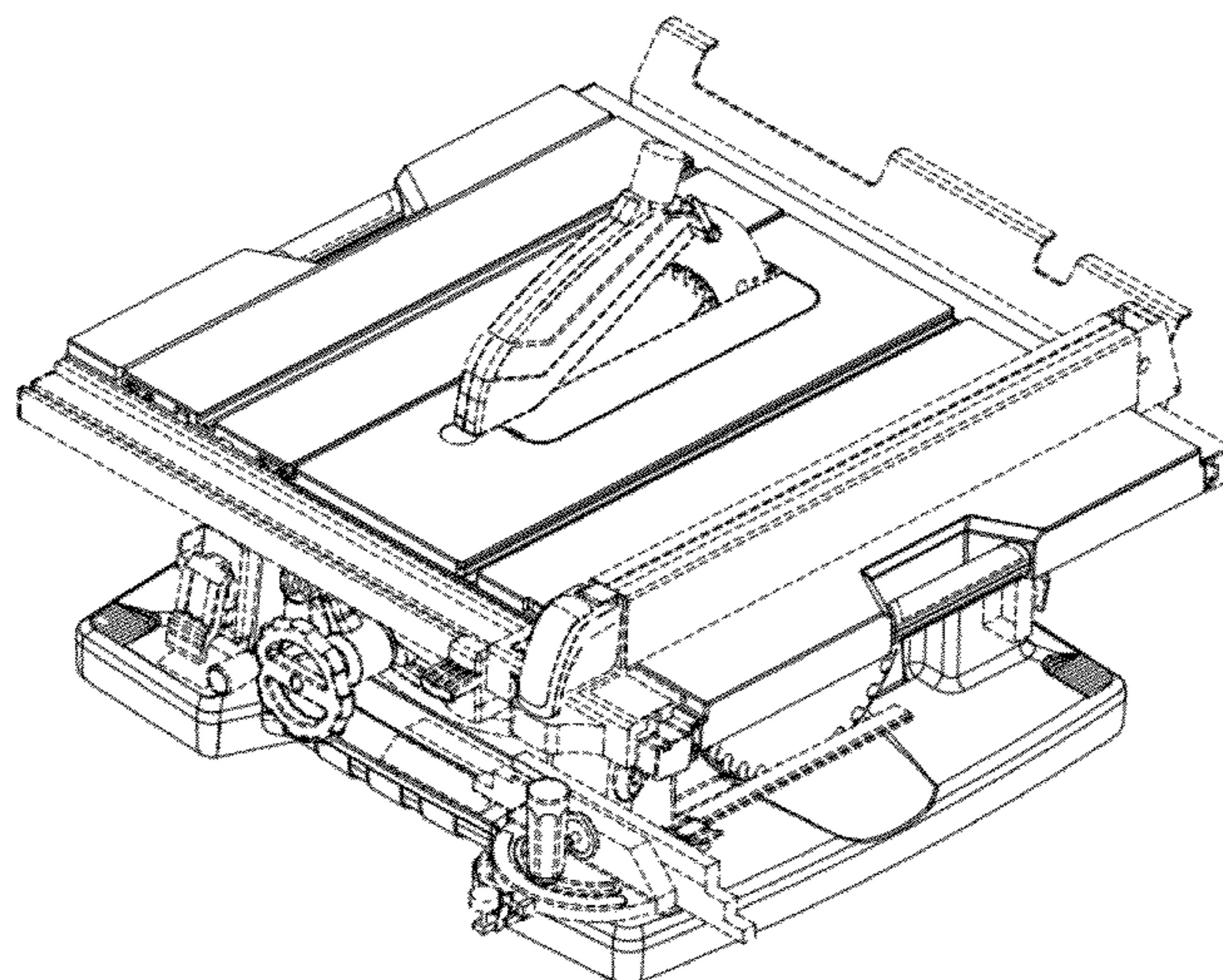
**U.S. PATENT DOCUMENTS**

2,963,128	A	12/1960	Rapp	
4,377,099	A	3/1983	Howe	
4,693,156	A	9/1987	Olvera	
4,770,915	A	9/1988	Nakagawa et al.	
4,772,502	A	9/1988	Okura et al.	
4,976,251	A	12/1990	Smith	
5,174,349	A	12/1992	Svetlik et al.	
D354,757	S	1/1995	Wixey	
5,405,668	A	4/1995	Sandt	
5,619,896	A	4/1997	Chen	
D394,071	S	5/1998	Ceroll et al.	
D411,090	S	6/1999	Chang	
D414,786	S *	10/1999	Ceroll et al. ....	D15/133
5,981,023	A	11/1999	Tozuka et al.	
D425,529	S *	5/2000	Svetlik .....	D15/133
D427,213	S *	6/2000	Chen .....	D15/133
6,164,447	A	12/2000	Svetlik	
D442,190	S *	5/2001	Chen .....	D15/133
D458,947	S	6/2002	Svetlik et al.	
D461,833	S *	8/2002	Gist et al. ....	D15/133
D479,539	S *	9/2003	Chen .....	D15/133
D513,272	S *	12/2005	Phillips et al. ....	D15/133

**DESCRIPTION**

FIG. 1 is a perspective view of a table saw showing our new design;  
FIG. 2 is a front elevational view showing the design for the table saw of FIG. 1;  
FIG. 3 is a right side elevational view showing the design for the table saw of FIG. 1;  
FIG. 4 is a rear elevational view showing the design for the table saw of FIG. 1;  
FIG. 5 is left side elevational view showing the design for the table saw of FIG. 1;  
FIG. 6 is a top plan view showing the design for the table saw of FIG. 1; and,  
FIG. 7 is a bottom plan view showing the design for the table saw of FIG. 1.  
The broken line showing of portions of the table saw in the drawings is included for illustrative purposes only and forms no part of the claimed design.

**1 Claim, 7 Drawing Sheets**





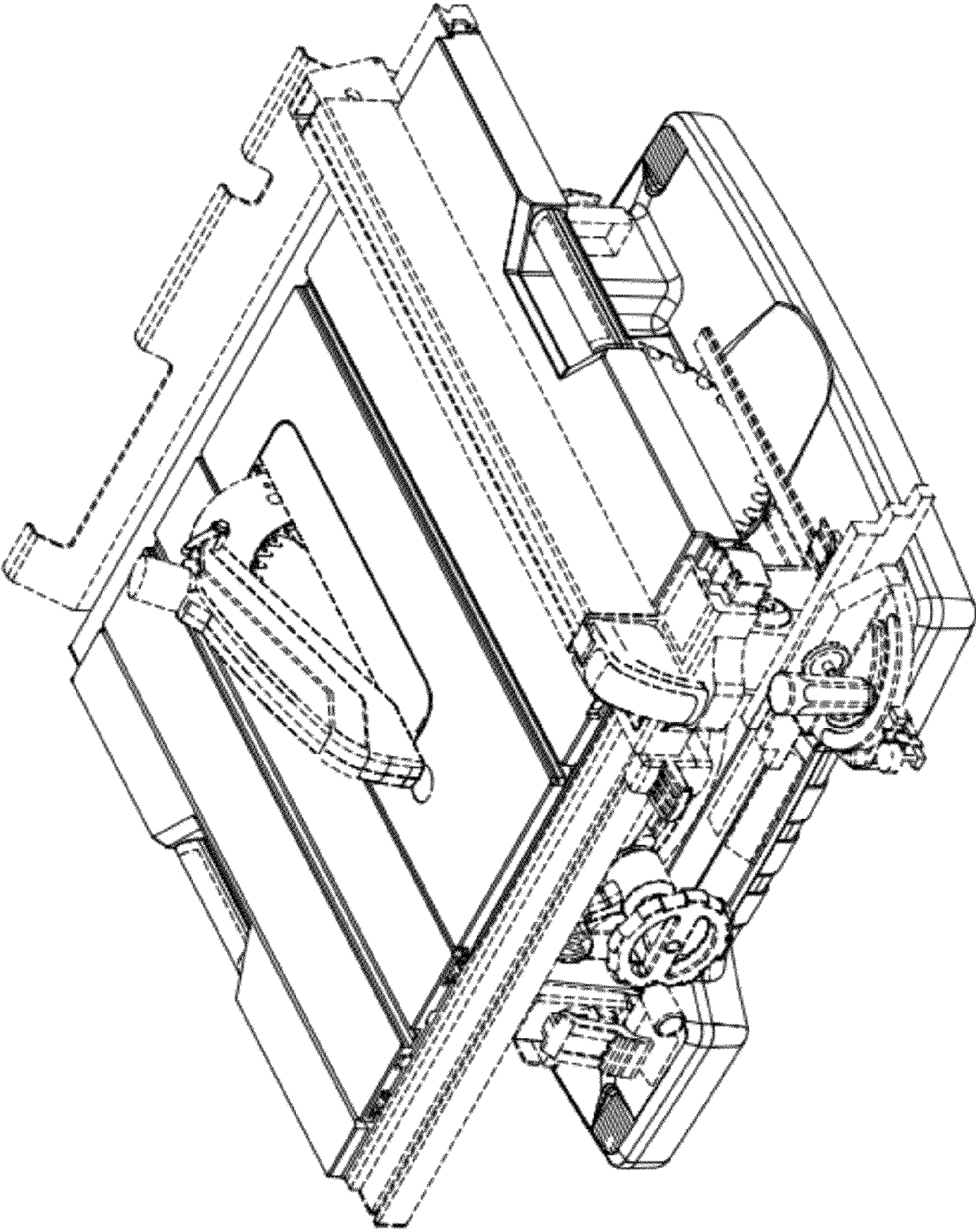


Fig. 1



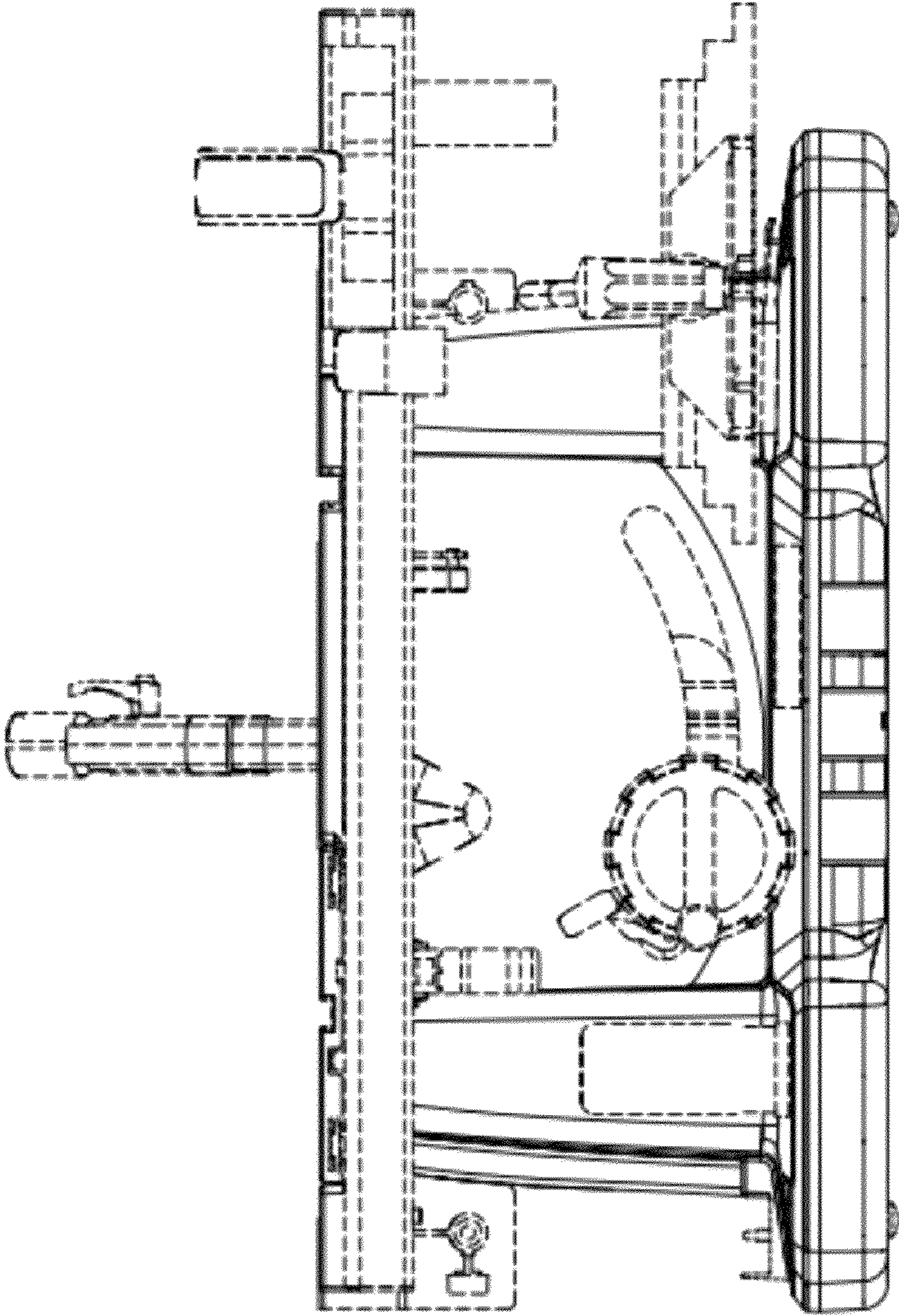


Fig. 2



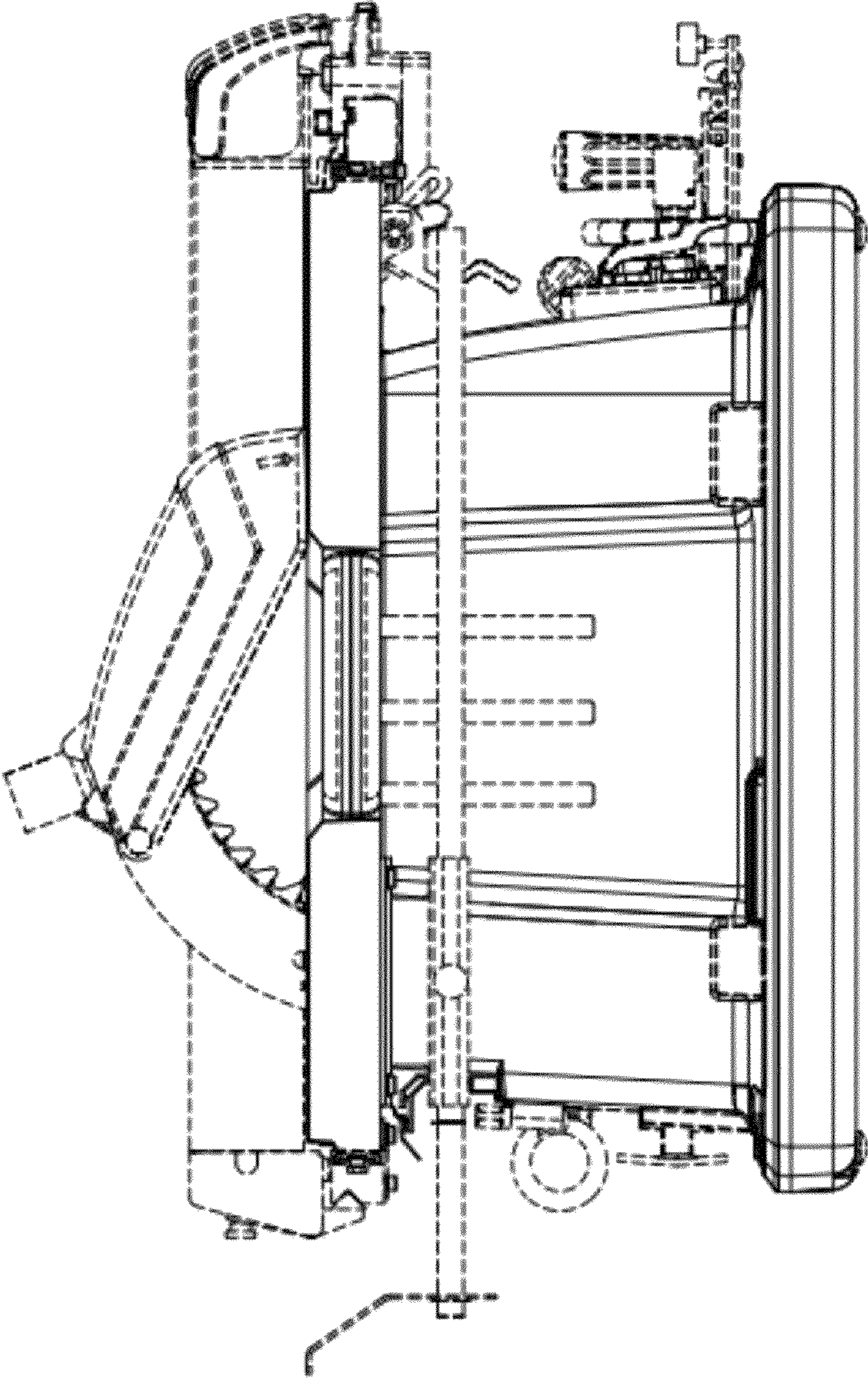


Fig. 3



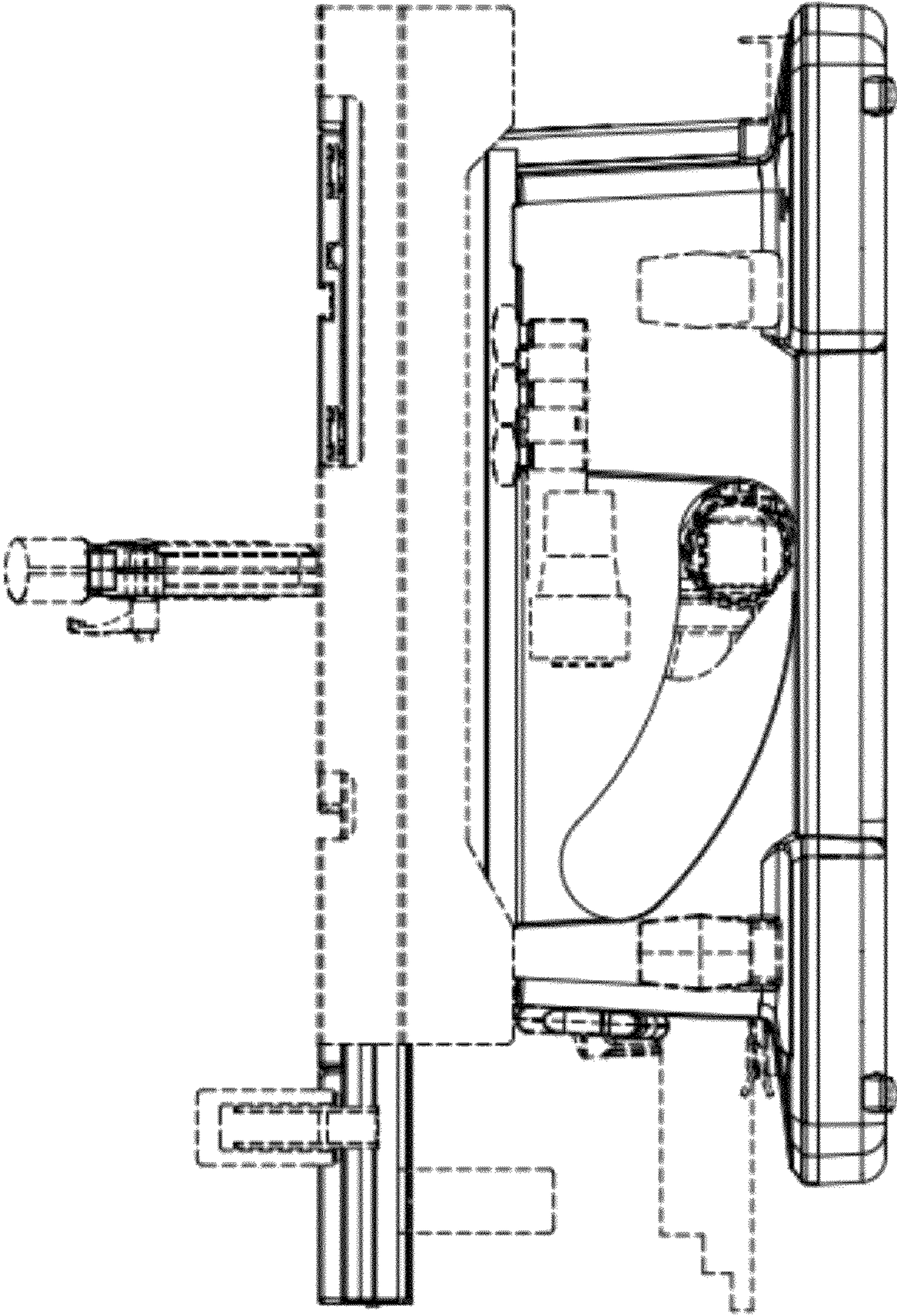


Fig. 4



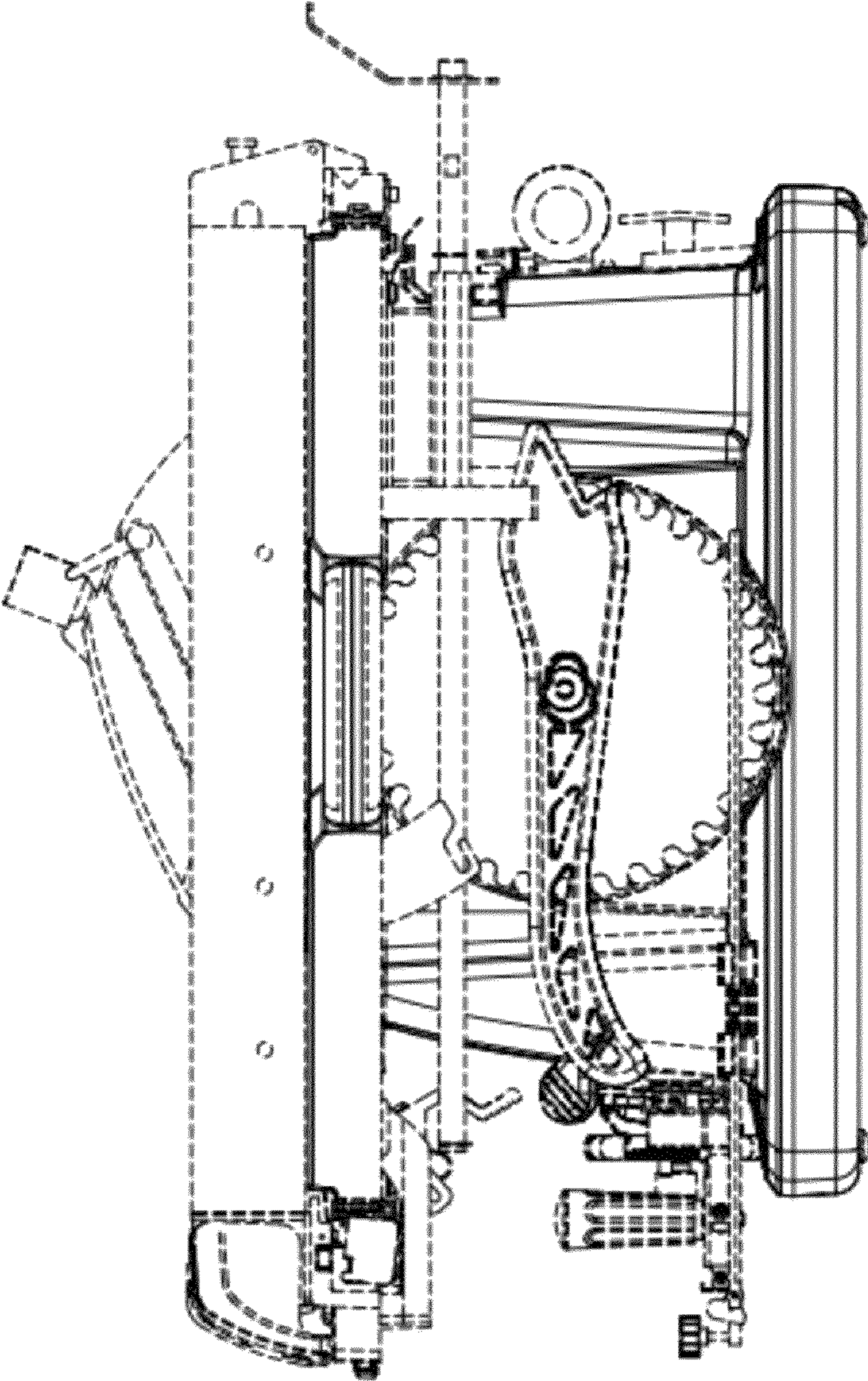


Fig. 5



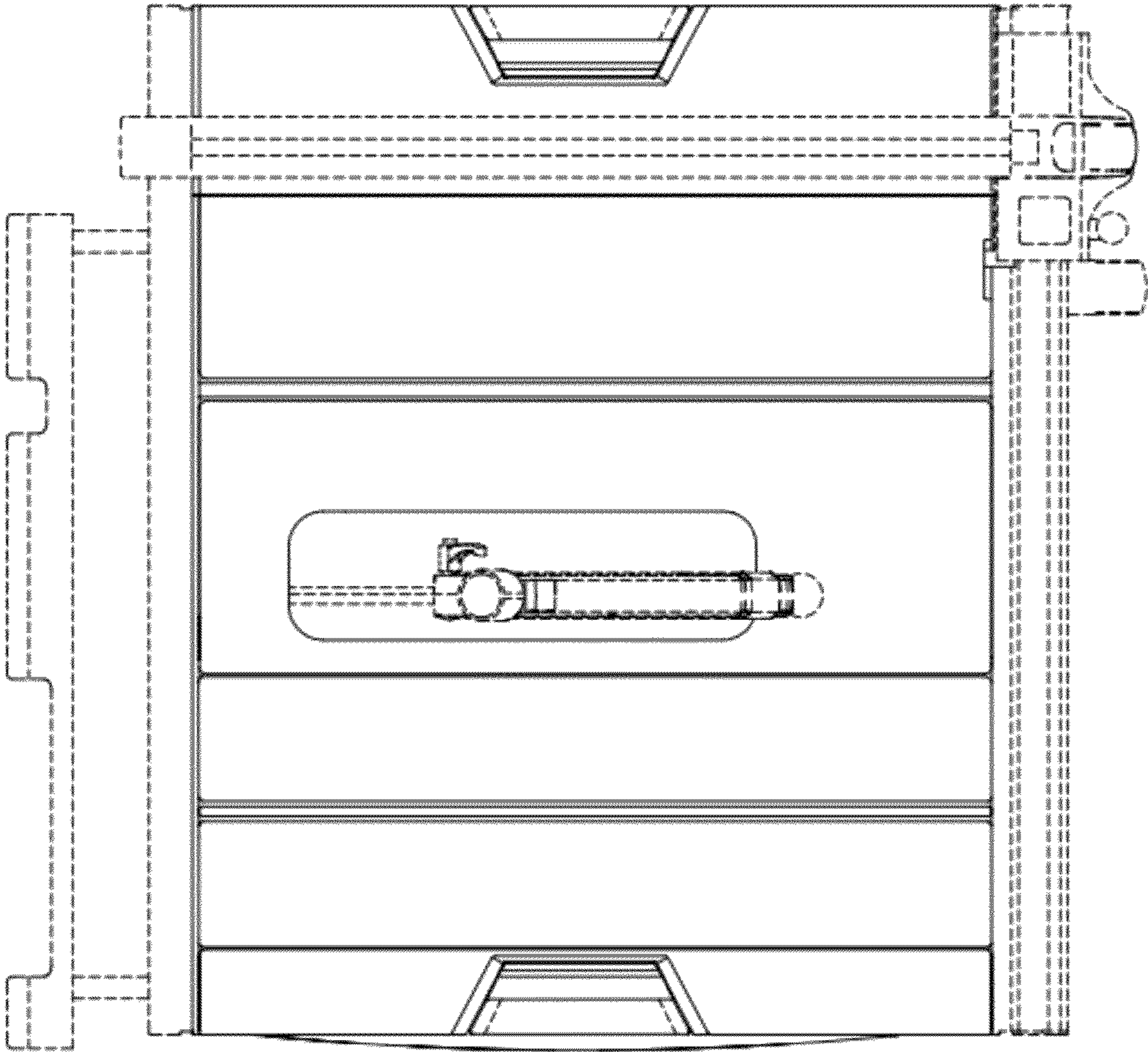


Fig. 6

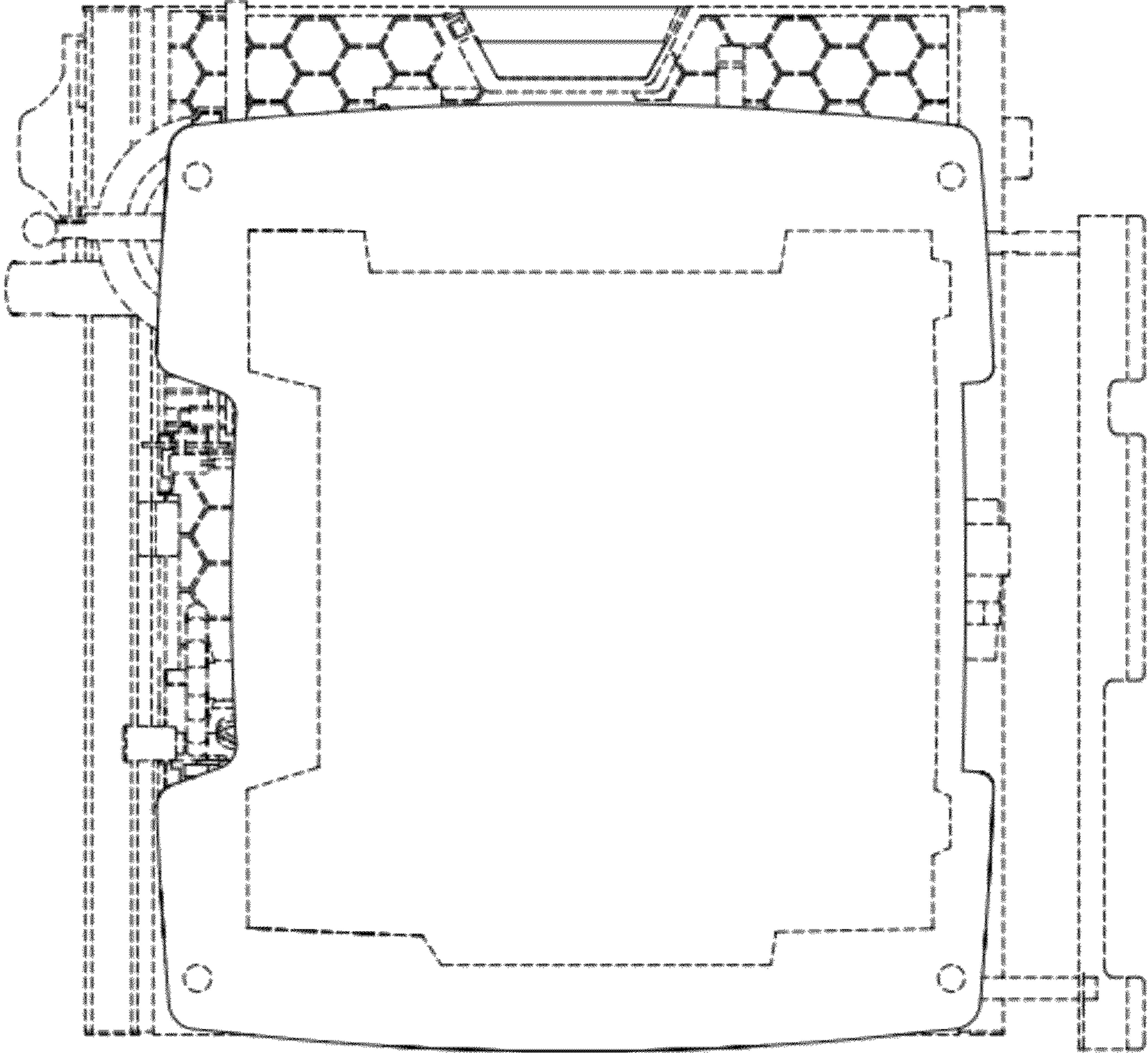


Fig. 7



UNITED STATES PATENT AND TRADEMARK OFFICE  
**CERTIFICATE OF CORRECTION**

PATENT NO. : D663,328 S  
APPLICATION NO. : 29/405698  
DATED : July 10, 2012  
INVENTOR(S) : Taylor et al.

Page 1 of 1

It is certified that error appears in the above-identified patent and that said Letters Patent is hereby corrected as shown below:

On the Title page, in the description of FIG. 7:

Replace "of FIG." with --of FIG. 1--

Signed and Sealed this  
Thirtieth Day of October, 2012

A handwritten signature in black ink that reads "David J. Kappos". The signature is written in a cursive style with a large initial "D" and "K".

David J. Kappos  
*Director of the United States Patent and Trademark Office*