



US00D663325S

(12) **United States Design Patent**
Thunstrom et al.

(10) **Patent No.:** **US D663,325 S**
(45) **Date of Patent:** **** Jul. 10, 2012**

(54) **TANK FOR ATHLETIC FIELD MAINTAINER**

(75) Inventors: **Troy D. Thunstrom**, Bloomington, MN (US); **Brian C. Bergquist**, Mound, MN (US); **Nathan G. Bergquist**, Mound, MN (US); **Sebastian P. Jacobson**, Coon Rapids, MN (US); **Carl L. Drase**, Columbia Heights, MN (US); **Rodney C. Boos**, Park Rapids, MN (US); **Ronald C. Ponath**, Plymouth, MN (US)

(73) Assignee: **Kromer Co. LLC**, Plymouth, MN (US)

(**) Term: **14 Years**

(21) Appl. No.: **29/376,879**

(22) Filed: **Oct. 13, 2010**

(51) **LOC (9) Cl.** **15-03**

(52) **U.S. Cl.** **D15/28; D15/17; D15/13**

(58) **Field of Classification Search** D15/10, D15/14, 15, 22-26, 33, 13, 17, 21, 28; 180/69.2, 180/89.1, 89.12, 900, 273; 56/12.7, 15.8, 56/16.7, 13.3, 10.1, 202, 320.1, 320.2, 15.9, 56/255, 294, 16.8, DIG. 5; 222/185.1; 239/687, 239/683

See application file for complete search history.

(56) **References Cited**

U.S. PATENT DOCUMENTS

D205,042	S	*	6/1966	Zurek	D15/15
3,393,835	A	*	7/1968	Kantor et al.	222/105
3,797,743	A	*	3/1974	Kommers et al.	239/148
D334,200	S	*	3/1993	Clifton	D15/17
D335,293	S	*	5/1993	Pingry et al.	D15/28
D364,173	S	*	11/1995	Woods	D15/13
5,501,405	A	*	3/1996	Doornek	239/683
5,794,818	A	*	8/1998	Bromwell et al.	222/105
D407,419	S	*	3/1999	Burch	D15/28
D408,421	S	*	4/1999	Beal, Jr.	D15/17

D413,125	S	*	8/1999	Vachon et al.	D15/17
D425,915	S	*	5/2000	Truan et al.	D15/13
D427,206	S	*	6/2000	Johnson et al.	D15/28
D433,425	S	*	11/2000	Surrige et al.	D15/17
D437,861	S	*	2/2001	Leden	D15/17
D440,984	S	*	4/2001	Norfleet	D15/28
D490,088	S	*	5/2004	Powell et al.	D15/17
D491,199	S	*	6/2004	Greene	D15/28
D495,878	S	*	9/2004	Greene	D3/274
D500,055	S	*	12/2004	Bieker	D15/28

* cited by examiner

Primary Examiner — Mark Goodwin

(74) *Attorney, Agent, or Firm* — John D. Veldhuis-Kroeze; Westman, Champlin & Kelly, P.A.

(57) **CLAIM**

The ornamental design for a tank for athletic field maintainer, as shown and described.

DESCRIPTION

FIG. 1 is a perspective view of the tank for athletic field maintainer showing our new design.

FIG. 2 is a front elevational view of the tank for athletic field maintainer.

FIG. 3 is a rear elevational view of the tank for athletic field maintainer.

FIG. 4 is a left side view of the tank for athletic field maintainer.

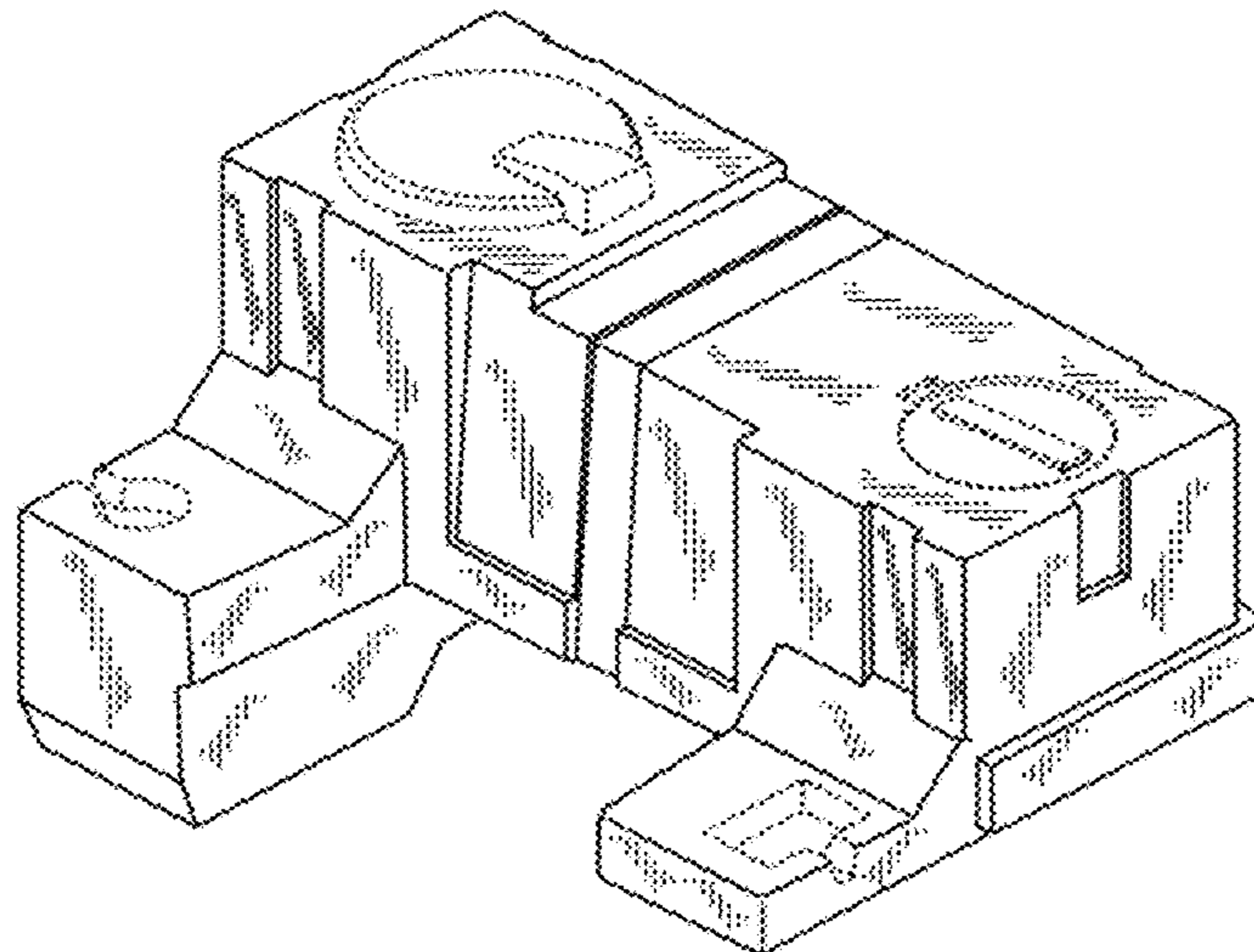
FIG. 5 is a right side view of the tank for athletic field maintainer; and,

FIG. 6 is a top plan view of the tank for athletic field maintainer.

A bottom view of the tank for athletic field maintainer is omitted and is not claimed in this design.

The broken lines of FIGS. 1-6 are included for the purpose of illustrating environmental structure and form no part of the claimed design.

1 Claim, 4 Drawing Sheets



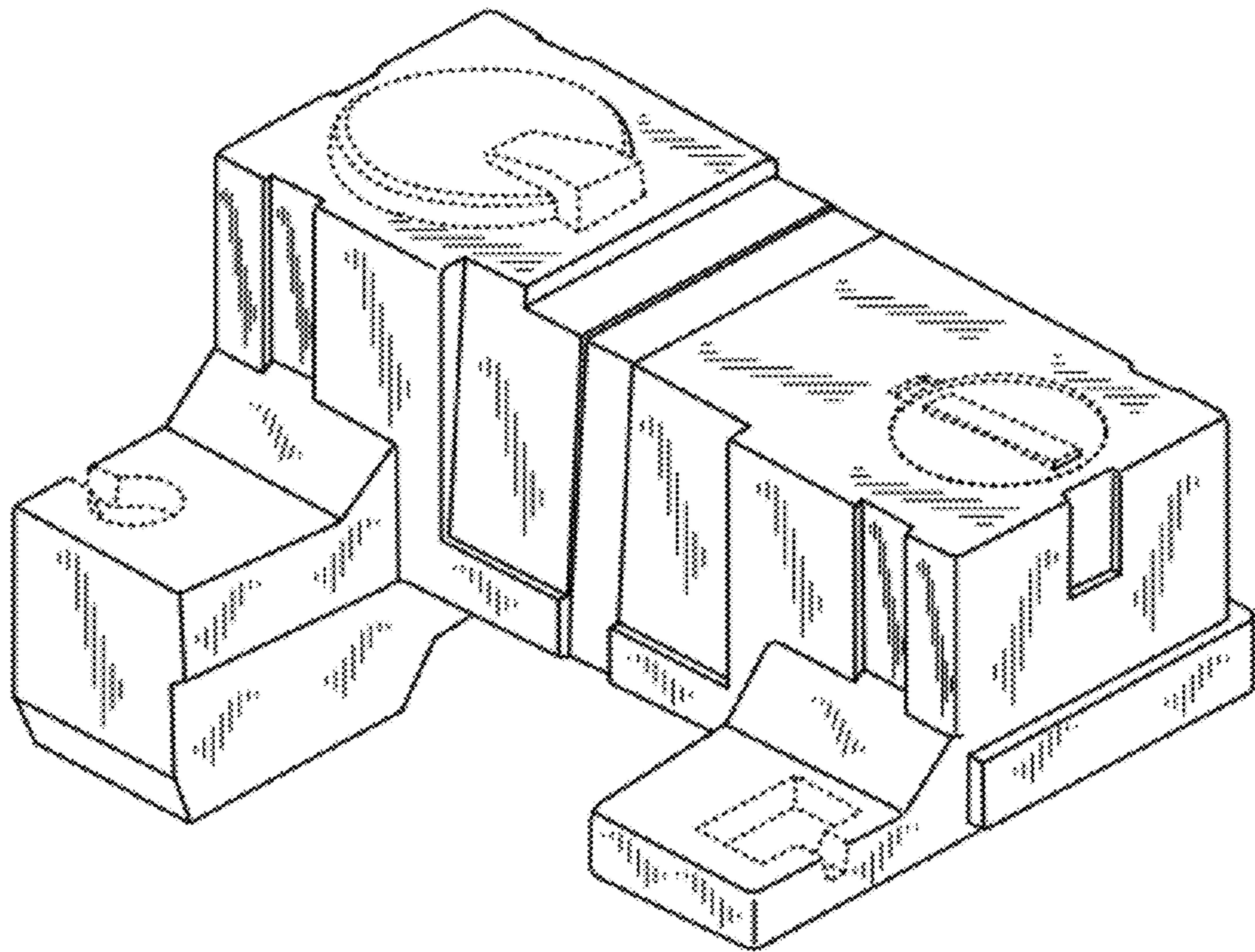


FIG. 1

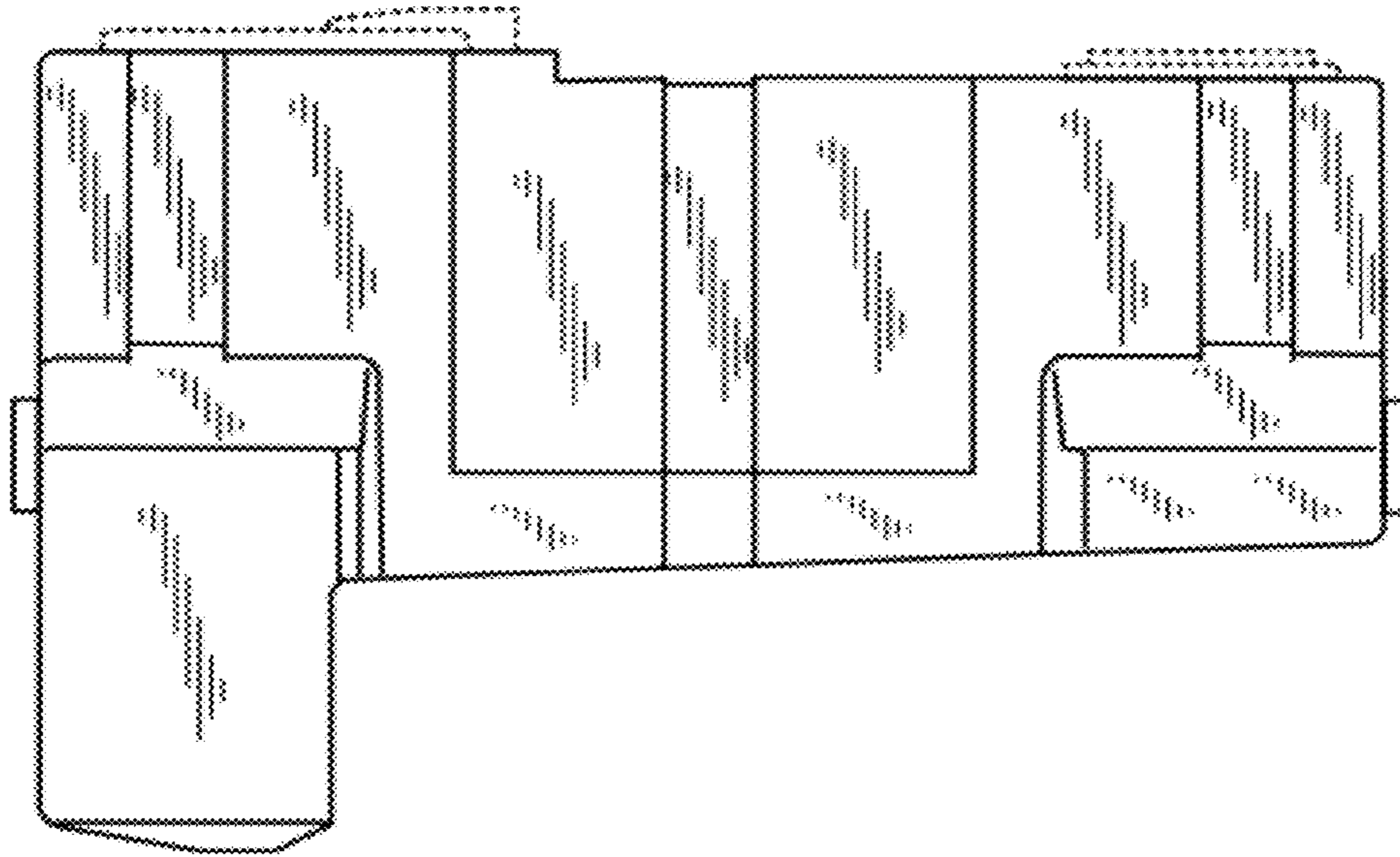


FIG. 2

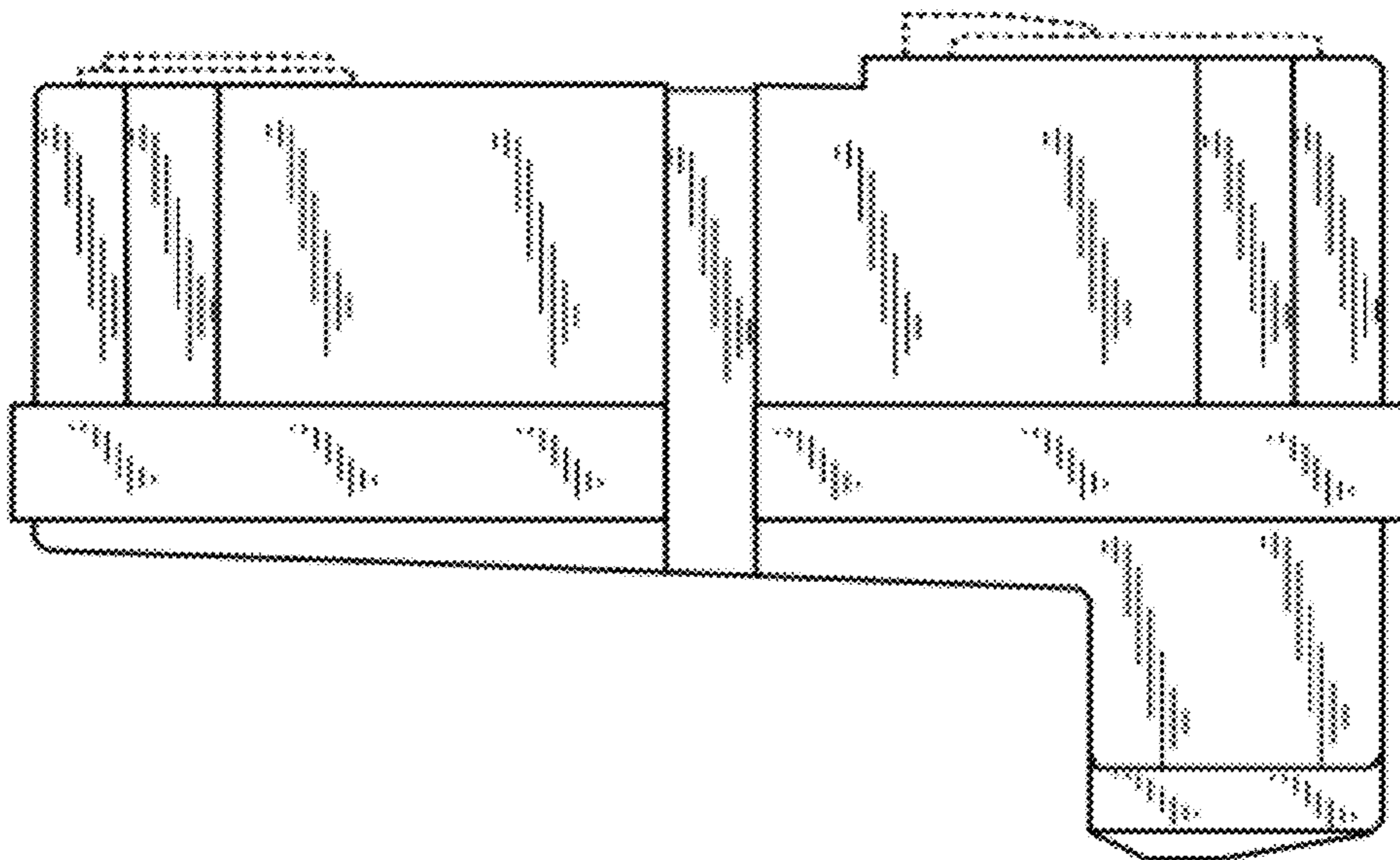


FIG. 3

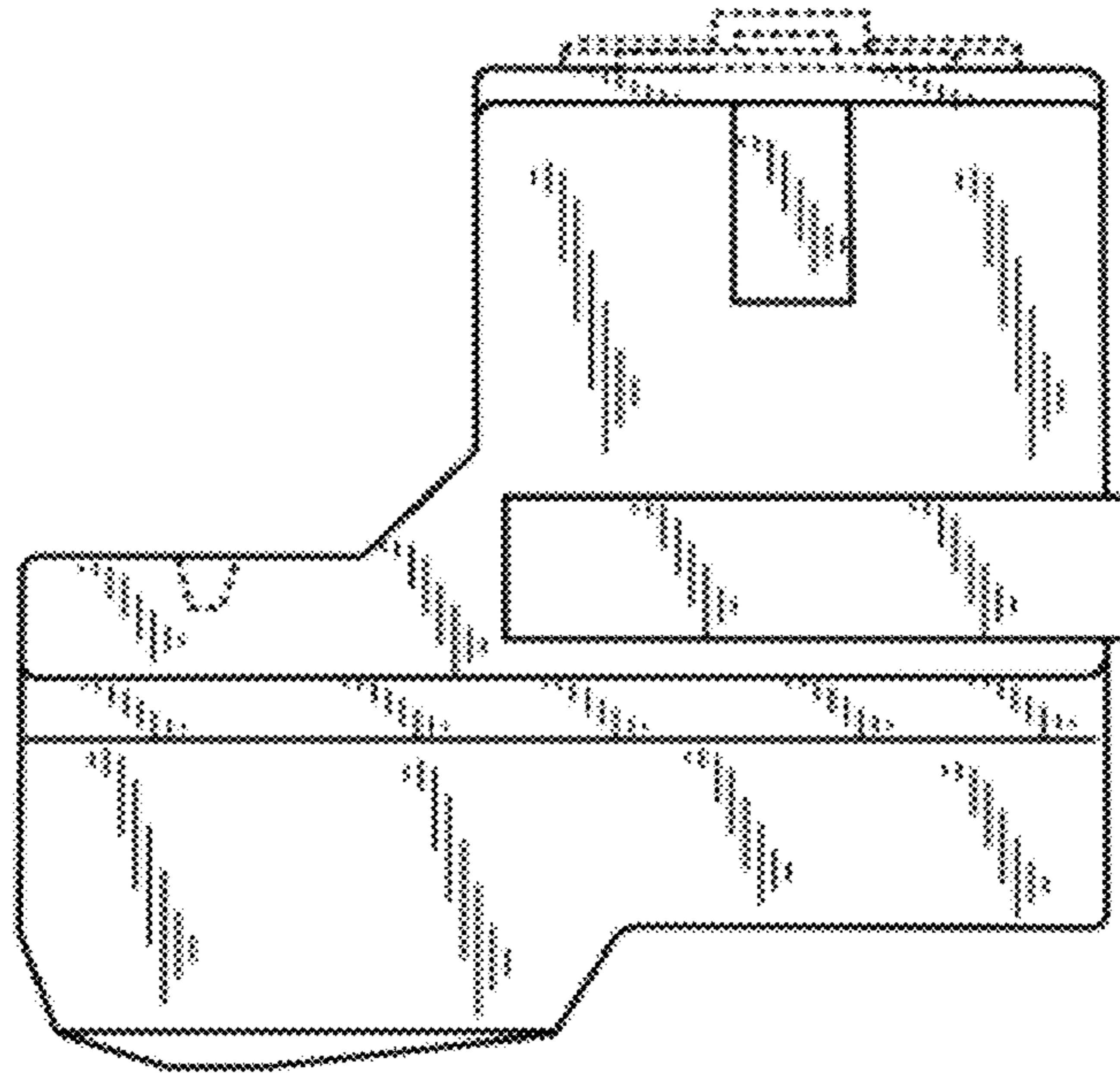


FIG. 4

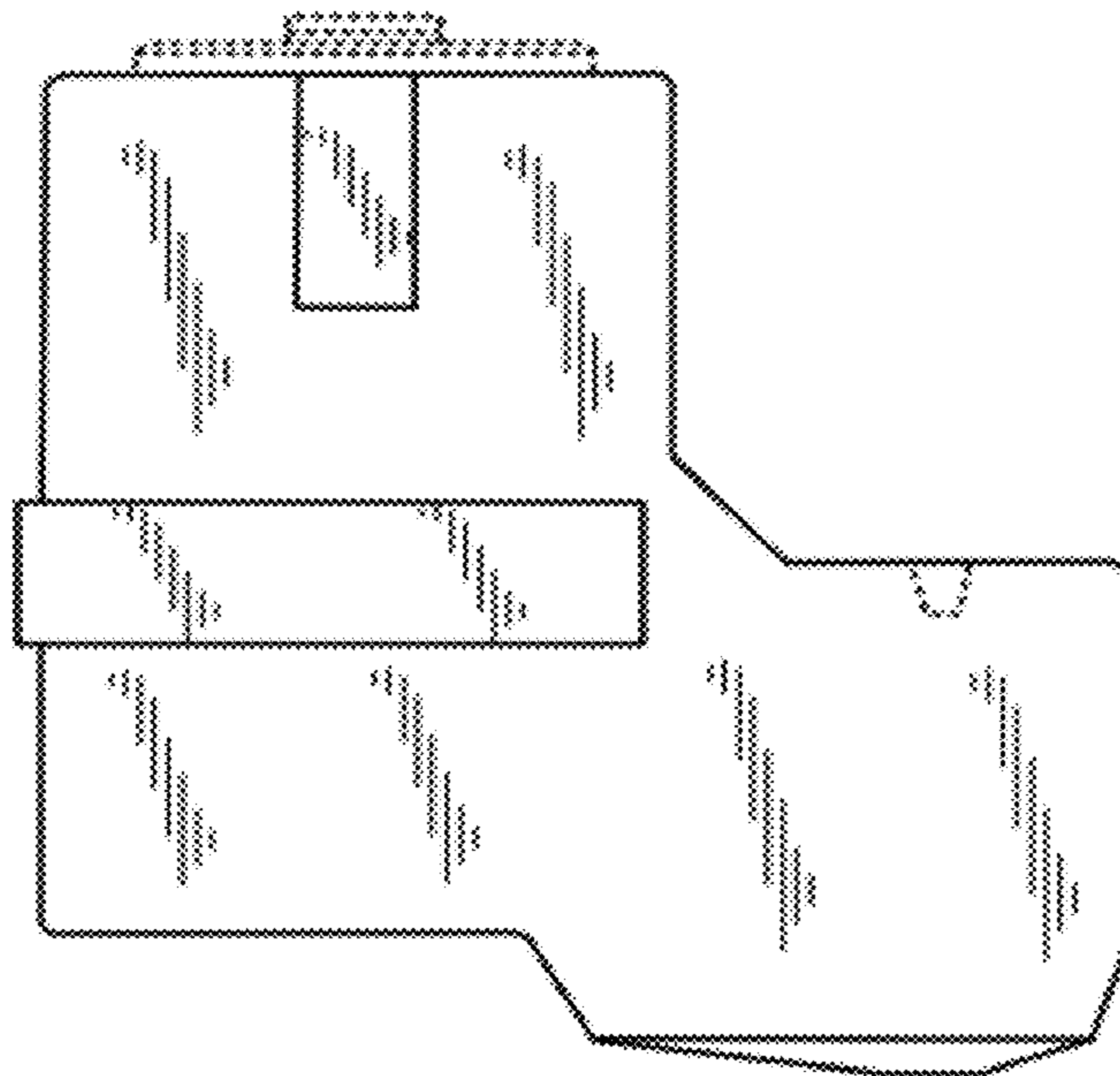


FIG. 5

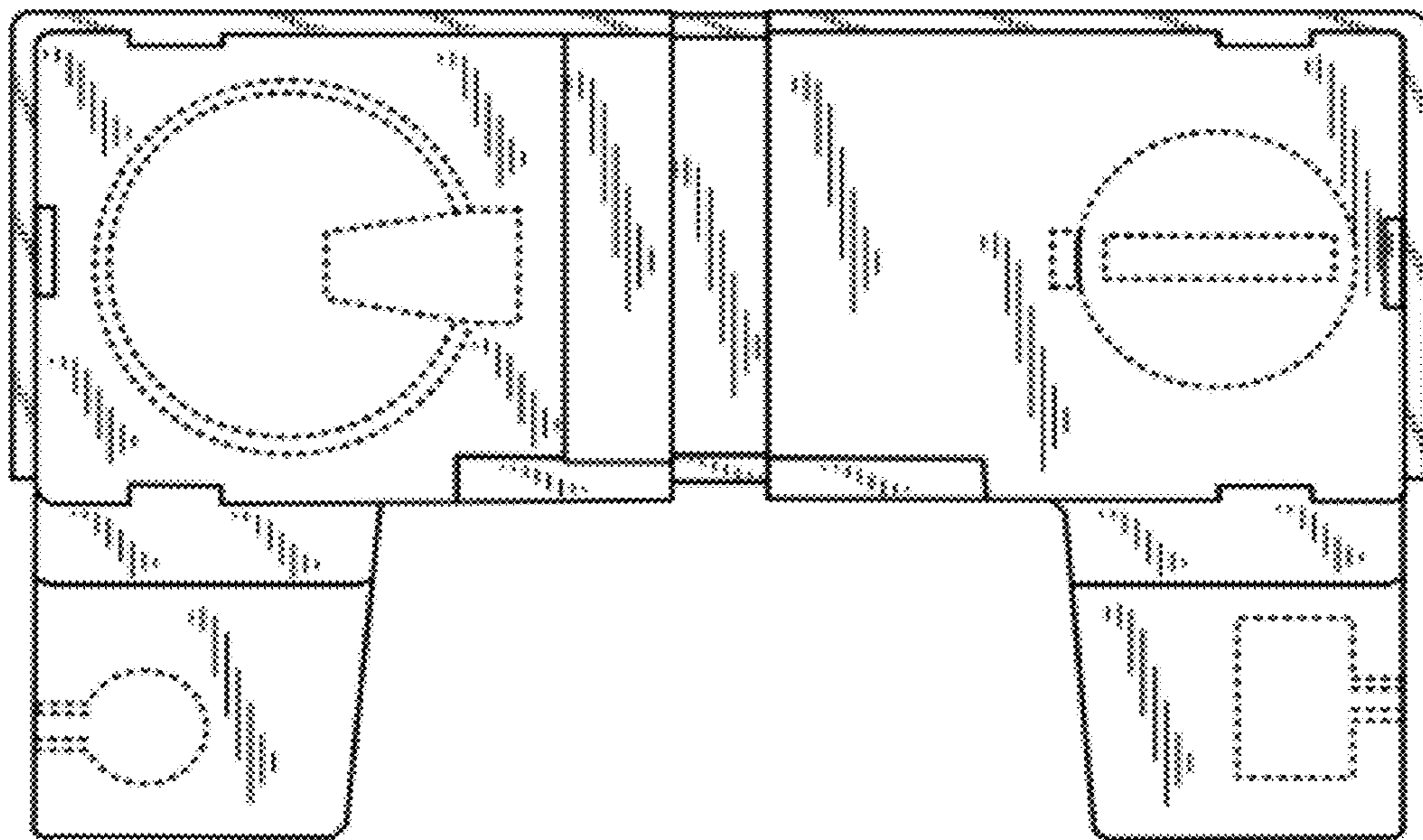


FIG. 6