



US00D663322S

(12) **United States Design Patent**
Sullivan et al.

(10) **Patent No.:** **US D663,322 S**

(45) **Date of Patent:** **** Jul. 10, 2012**

(54) **ENGINE**

(75) Inventors: **Ryan A. Sullivan**, West Bend, WI (US);
Gary S. Johnson, Hales Corners, WI (US)

(73) Assignee: **Briggs & Stratton Corporation**,
Wauwatosa, WI (US)

(**) Term: **14 Years**

(21) Appl. No.: **29/377,377**

(22) Filed: **Oct. 20, 2010**

(51) **LOC (9) Cl.** **15-01**

(52) **U.S. Cl.** **D15/5**

(58) **Field of Classification Search** D15/1,
D15/2, 3, 5, 6, 14, 17, 149; 123/22, 41.34,
123/51 A, 606 R, 52.1, 50 A, 50 B, 54.1,
123/54.2, 54.4, 54.5, 65 R, 195 R, 195 HC,
123/657, 311

See application file for complete search history.

(56) **References Cited**

U.S. PATENT DOCUMENTS

D548,750 S *	8/2007	Neeley et al.	D15/5
D553,645 S *	10/2007	Drew et al.	D15/5
D572,271 S *	7/2008	Maeda	D15/1
D583,831 S *	12/2008	Post et al.	D15/5
D598,471 S *	8/2009	Wang et al.	D15/1
D628,596 S *	12/2010	Azuma	D15/1
D636,789 S *	4/2011	Hausler	D15/5

OTHER PUBLICATIONS

Engine from Intek with XRD Series, www.briggsandstratton.com,
Oct. 20, 2010, 1 page.

Engine from the Professional Series, www.briggsandstratton.com,
Oct. 20, 2010, 1 page.

* cited by examiner

Primary Examiner — T. Chase Nelson

Assistant Examiner — Ania Aman

(74) *Attorney, Agent, or Firm* — Foley & Lardner LLP

(57) **CLAIM**

We claim the ornamental design for an engine, as shown and described.

DESCRIPTION

FIG. 1 is a front perspective view of an engine showing our new design;

FIG. 2 is a top view of the claimed design of FIG. 1;

FIG. 3 is a left side view of the claimed design of FIG. 1;

FIG. 4 is a right side view of the claimed design of FIG. 1;

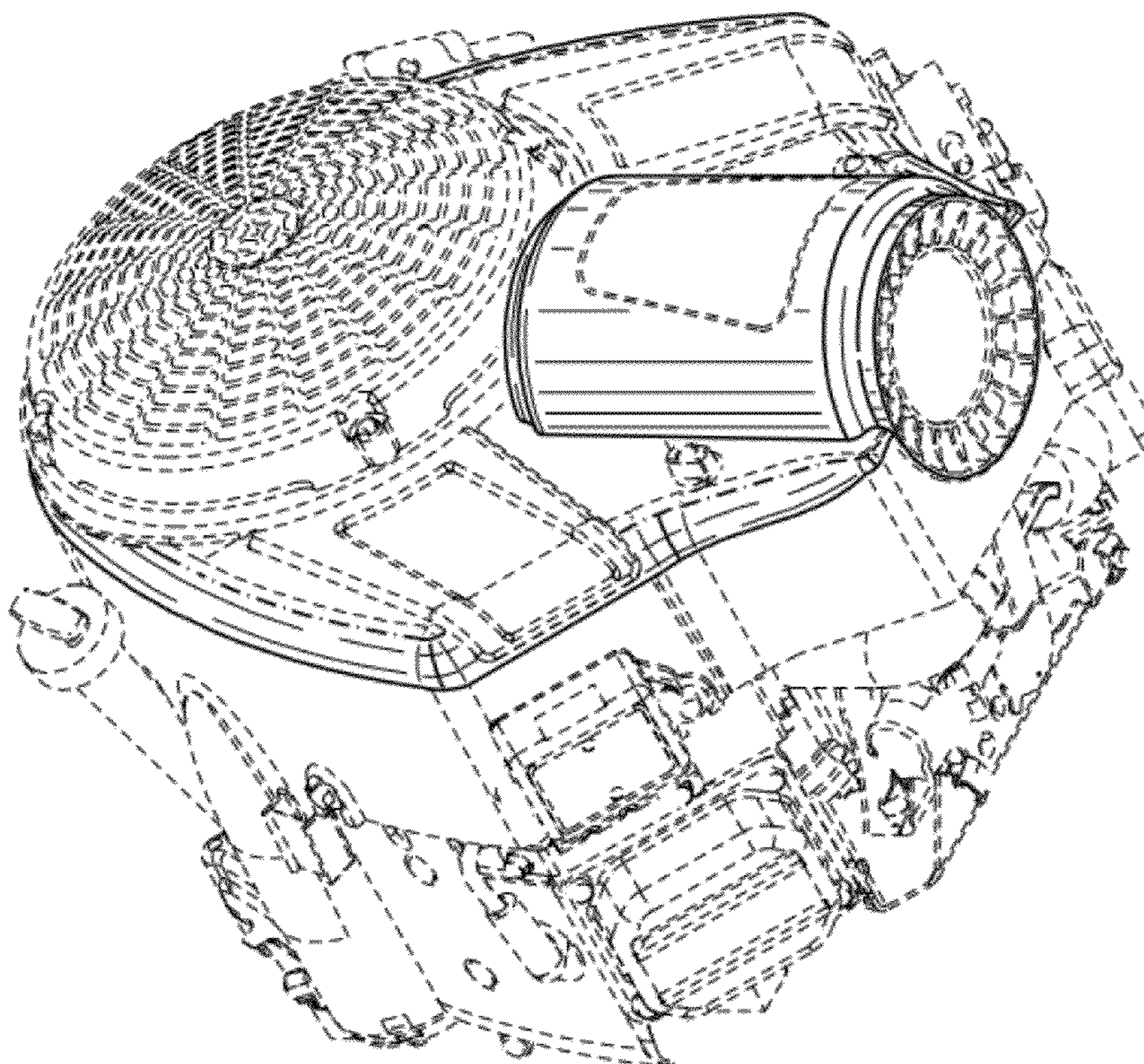
FIG. 5 is a front view of the claimed design of FIG. 1;

FIG. 6 is a rear view of the claimed design of FIG. 1; and,

FIG. 7 is a bottom view of the claimed design of FIG. 1.

The dash-dot-dash lines throughout the drawings define the bounds of the claimed design.

1 Claim, 7 Drawing Sheets



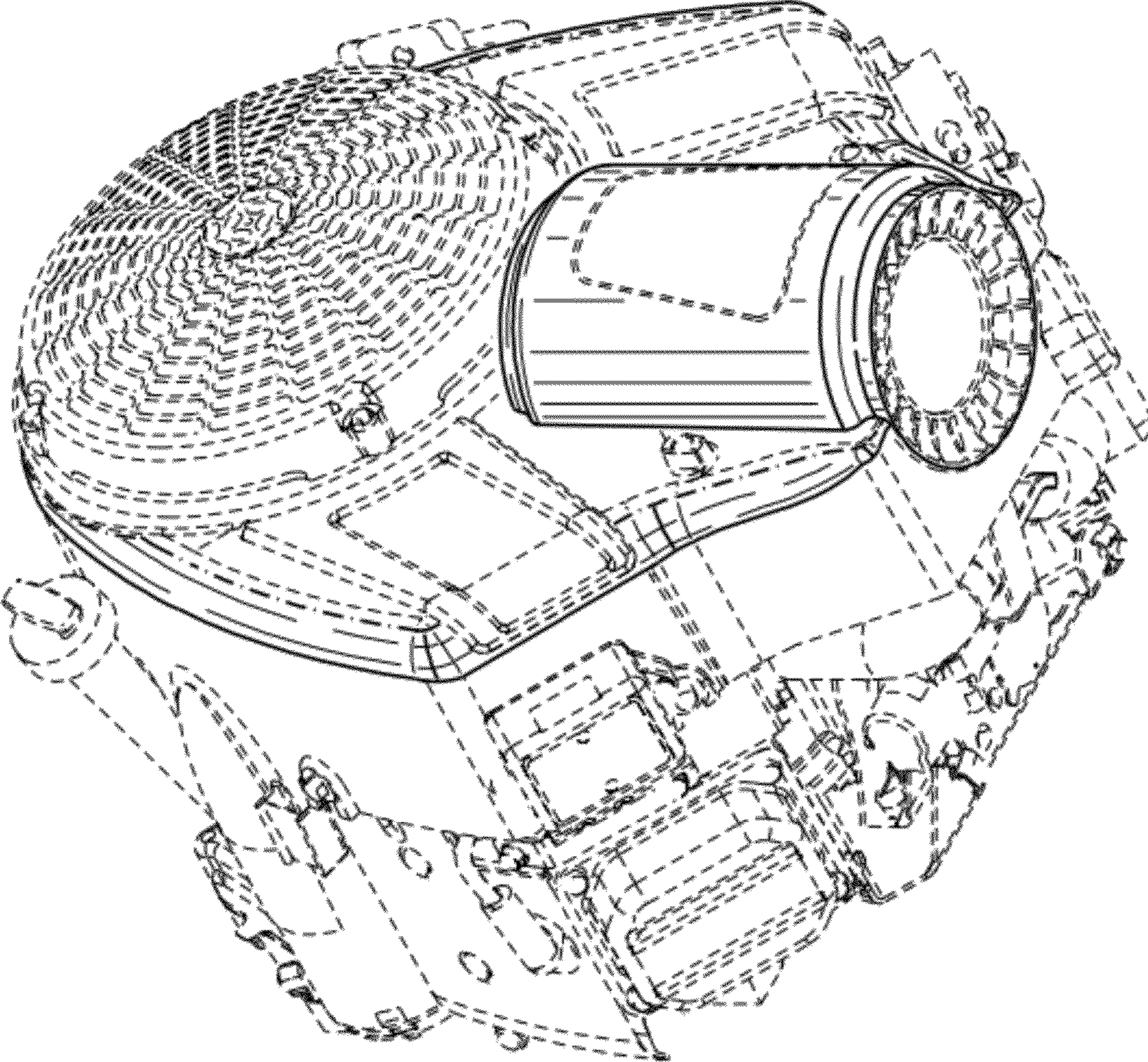


FIG. 1

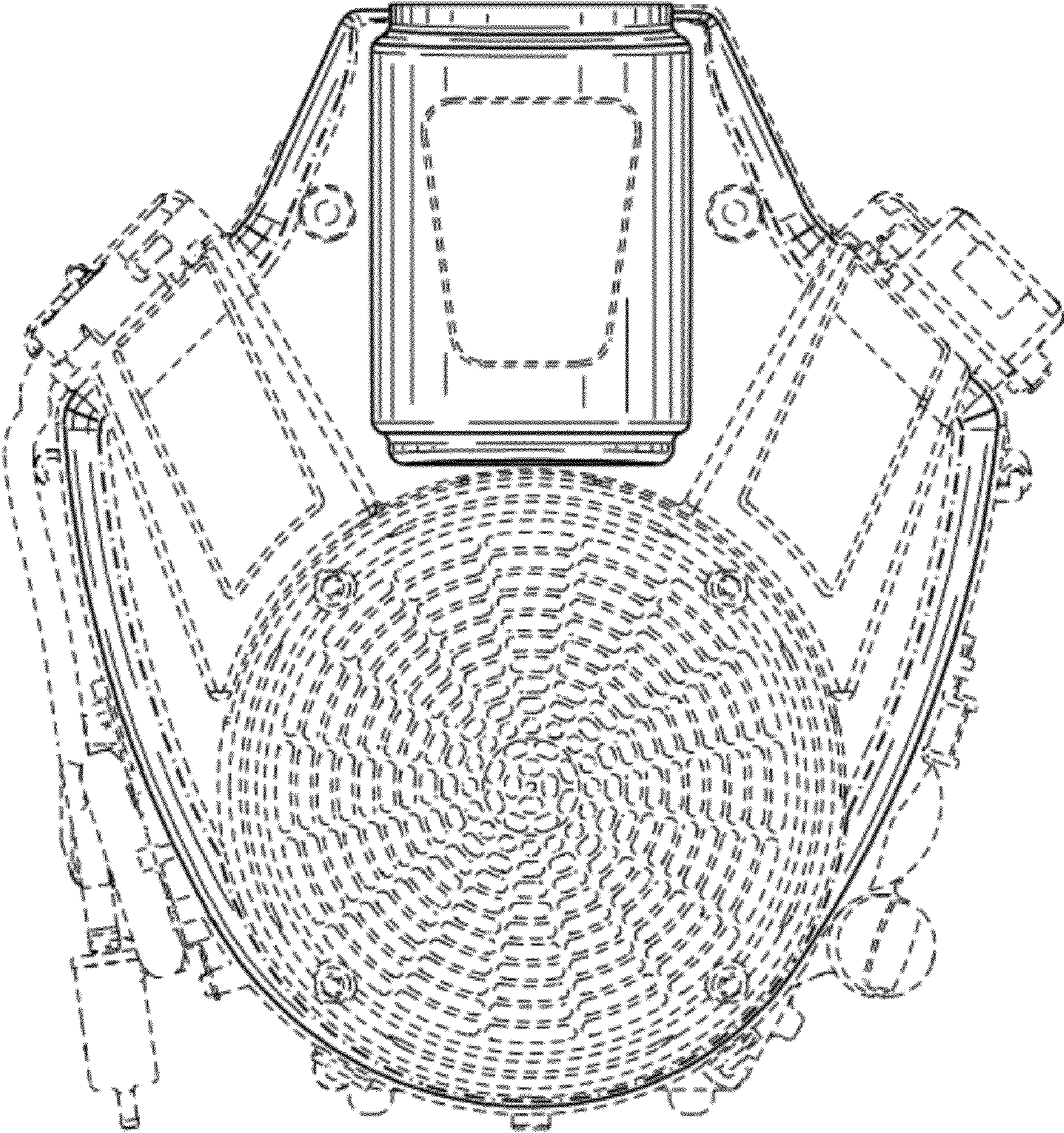


FIG. 2

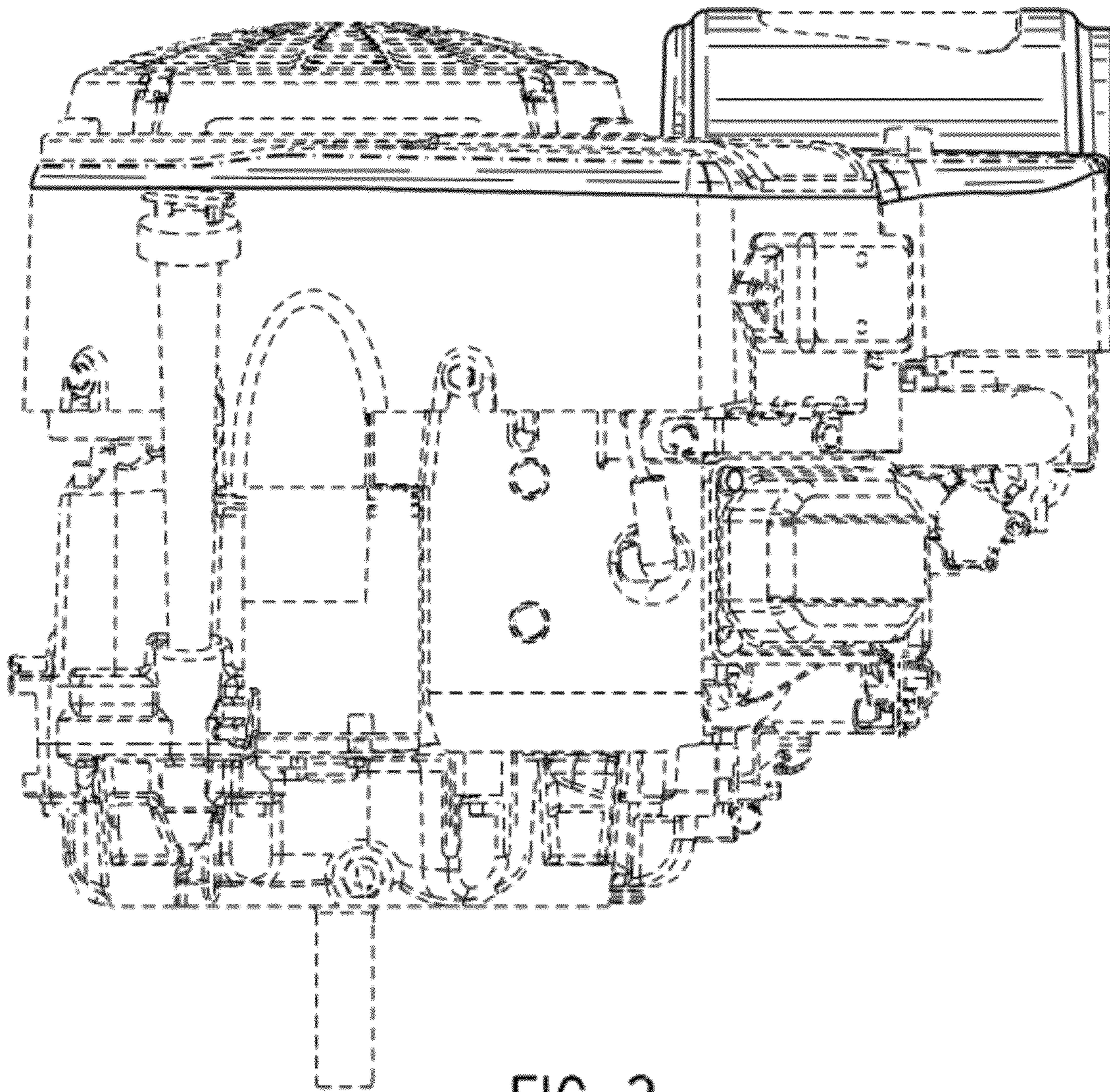


FIG. 3

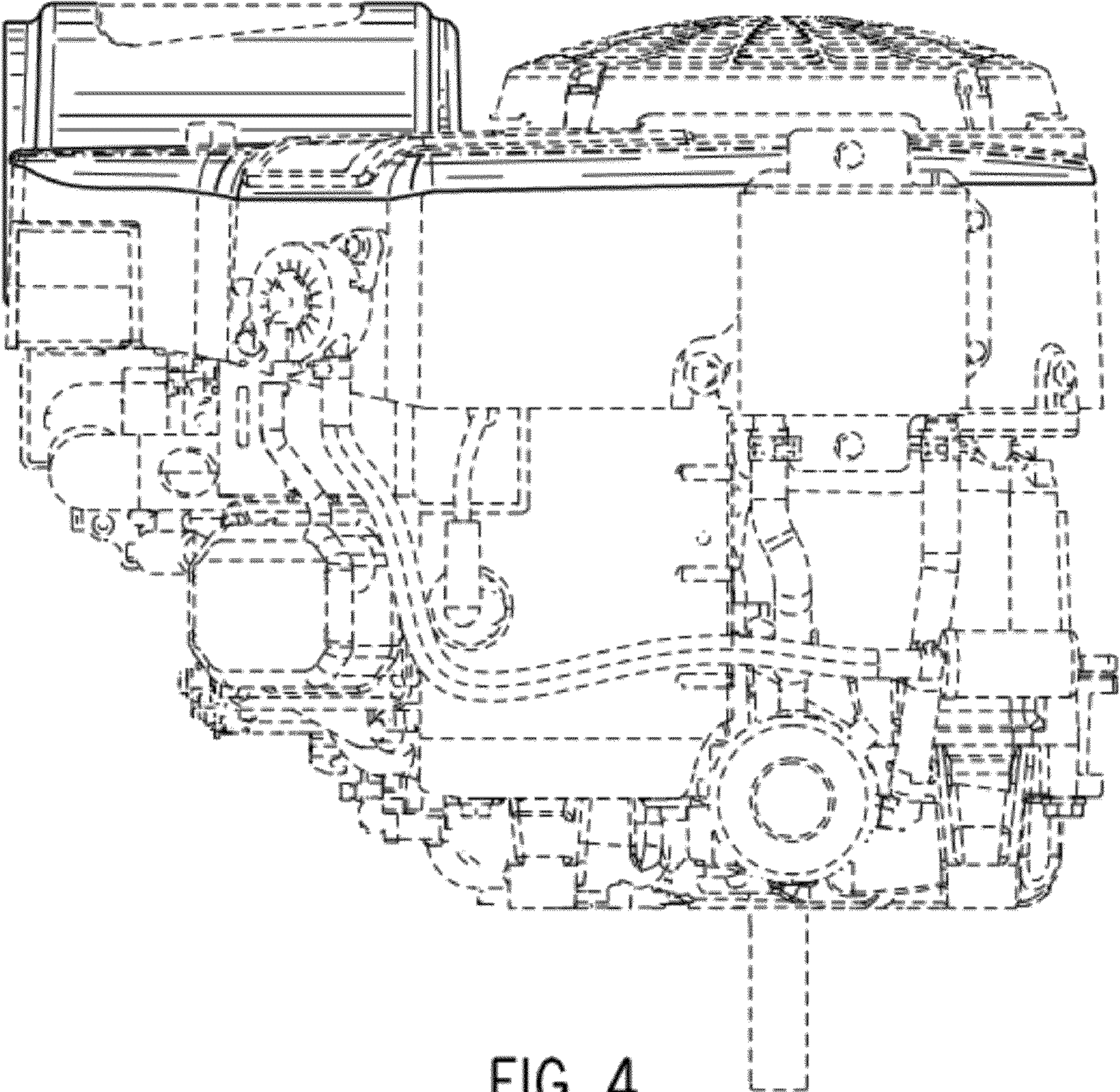


FIG. 4

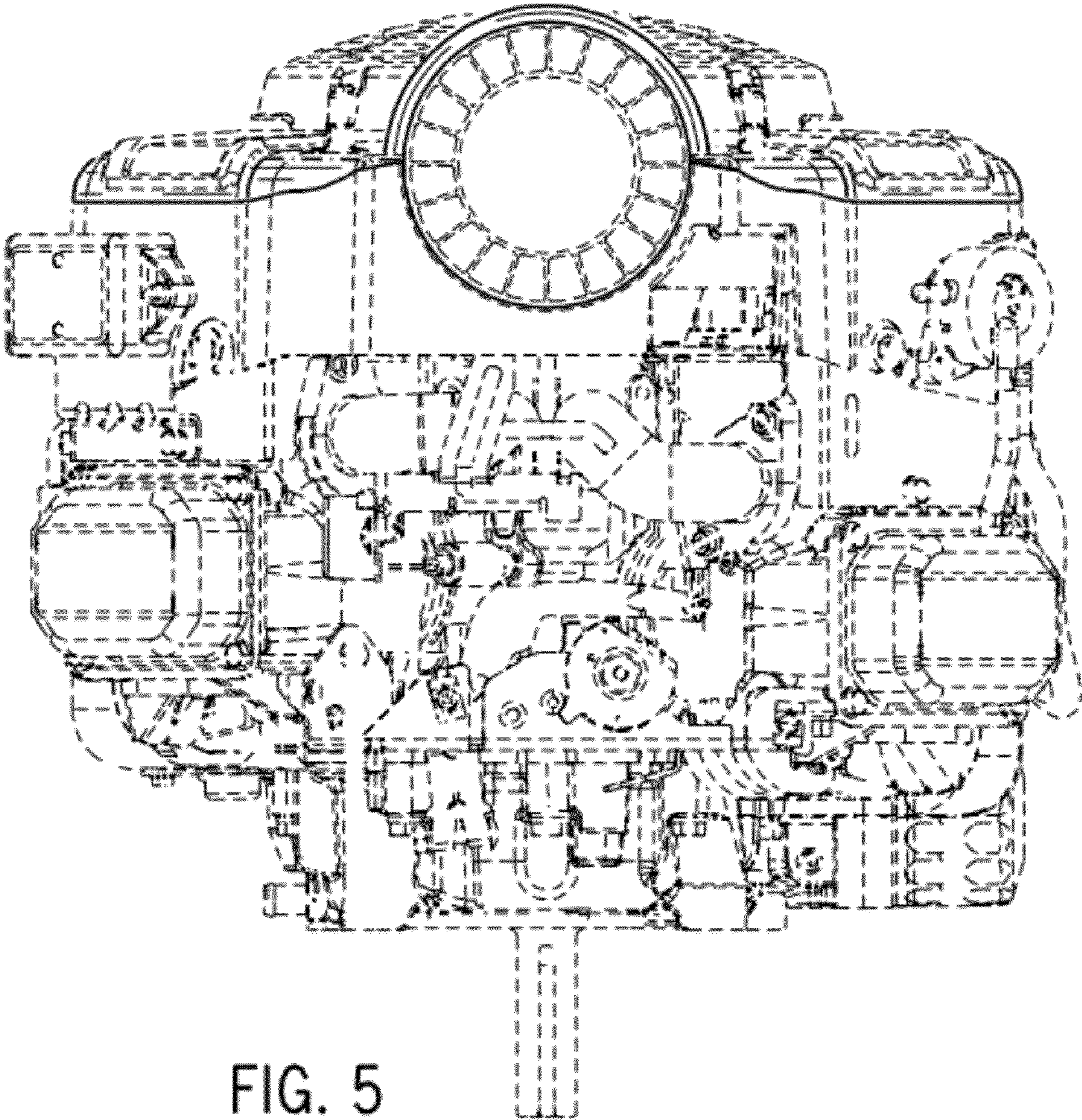


FIG. 5

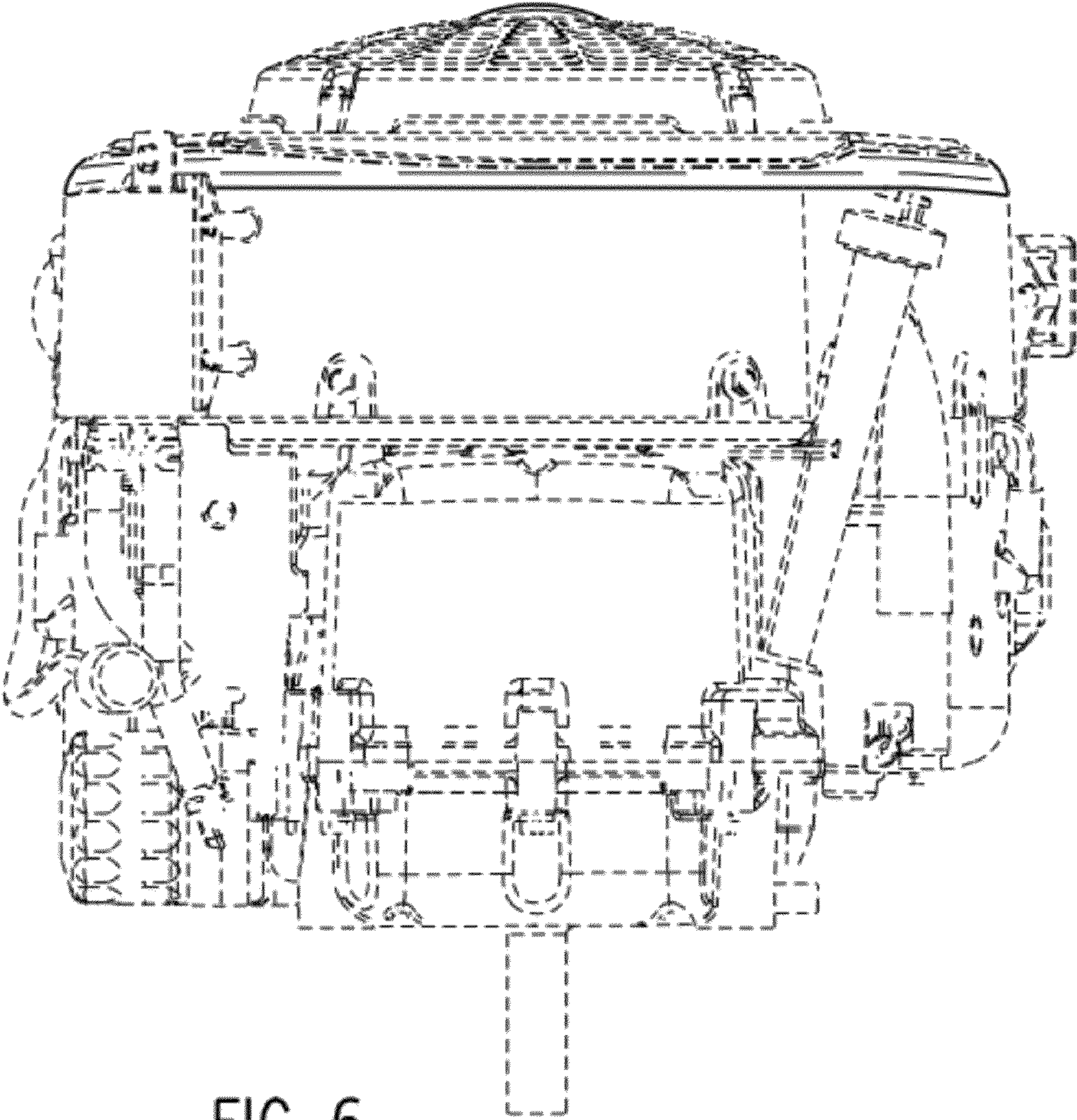


FIG. 6

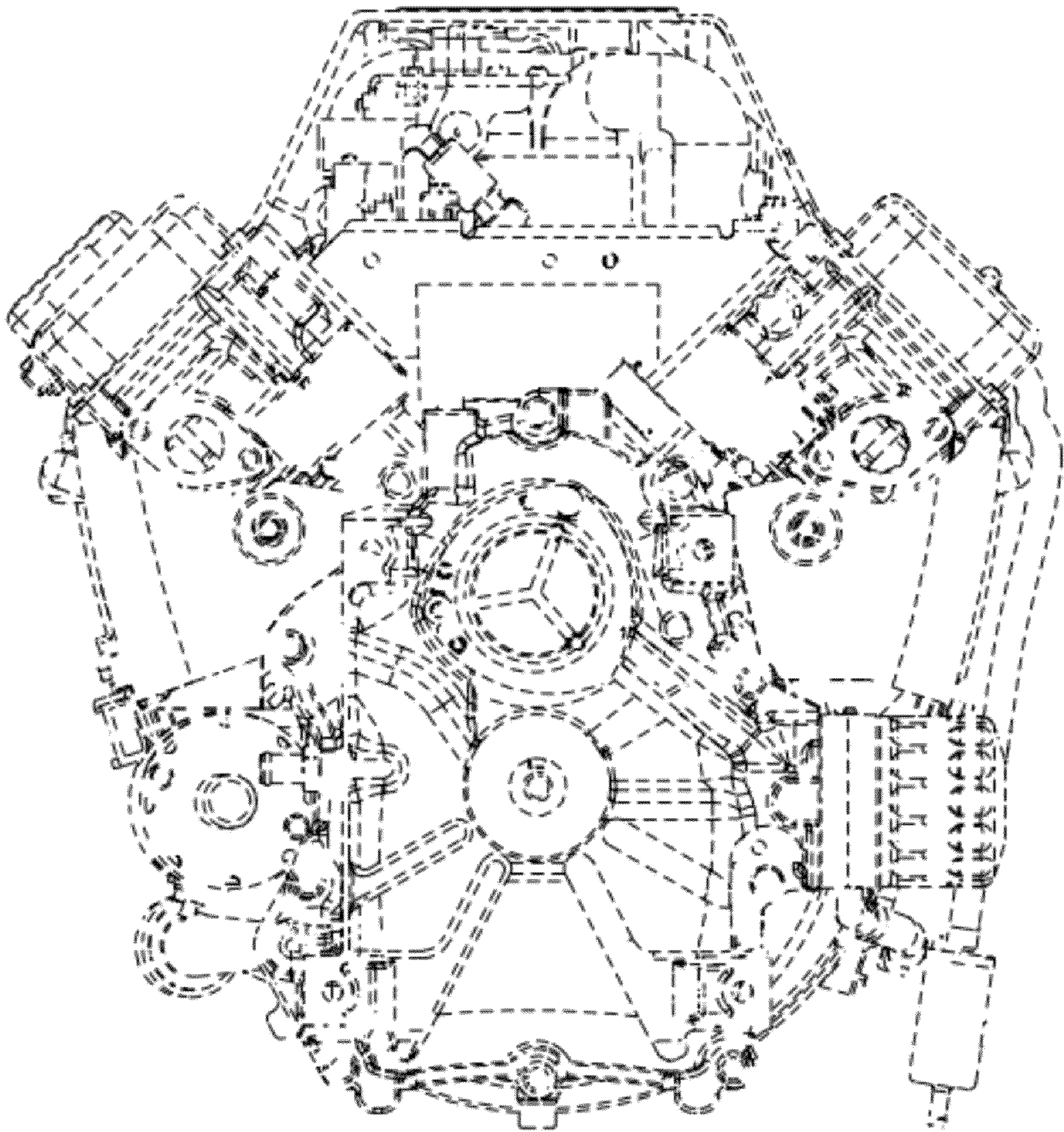


FIG. 7