



US00D663321S

(12) **United States Design Patent**  
**Okamoto**

(10) **Patent No.:** **US D663,321 S**

(45) **Date of Patent:** **\*\* Jul. 10, 2012**

(54) **OUTBOARD MOTOR**

(75) Inventor: **Hisashi Okamoto**, Shizuoka-ken (JP)

(73) Assignee: **Suzuki Motor Corporation** (JP)

(\*\*) Term: **14 Years**

(21) Appl. No.: **29/374,224**

(22) Filed: **Jul. 15, 2011**

(30) **Foreign Application Priority Data**

Jan. 18, 2011 (JP) ..... 2011-000860

(51) **LOC (9) Cl.** ..... **15-01**

(52) **U.S. Cl.** ..... **D15/3**

(58) **Field of Classification Search** ..... D15/1-5,  
D15/149; 123/195 P; 440/3, 4, 88 R, 52;  
D12/317, 181

See application file for complete search history.

(56) **References Cited**

**U.S. PATENT DOCUMENTS**

D458,273 S *	6/2002	Burmeister et al.	.....	D15/4
D466,907 S *	12/2002	Ohsumi	.....	D15/4
D528,563 S *	9/2006	Sanschagrín et al.	.....	D15/4
D531,639 S *	11/2006	Okamoto	.....	D15/4
D531,640 S *	11/2006	Okamoto	.....	D15/4
D536,704 S *	2/2007	Iekura	.....	D15/4
D549,240 S *	8/2007	Okamoto	.....	D15/4
D635,586 S *	4/2011	Okamoto	.....	D15/4
D643,440 S *	8/2011	Dannenberg et al.	.....	D15/4

\* cited by examiner

*Primary Examiner* — T. Chase Nelson

*Assistant Examiner* — Ania Aman

(74) *Attorney, Agent, or Firm* — Lerner, David, Littenberg, Krumholz & Mentlik, LLP

(57) **CLAIM**

The ornamental design for an outboard motor, as shown and described.

**DESCRIPTION**

FIG. 1 is a front view of an outboard motor in accordance with an embodiment of the present invention;

FIG. 2 is a rear view of the outboard motor shown in FIG. 1;

FIG. 3 is a top view of the outboard motor shown in FIG. 1;

FIG. 4 is a bottom view of the outboard motor shown in FIG. 1;

FIG. 5 is a right side view of the outboard motor shown in FIG. 1;

FIG. 6 is a left side view of the outboard motor shown in FIG. 1;

FIG. 7 is a front perspective view of the right side of the outboard motor shown in FIG. 1;

FIG. 8 is a rear perspective view of the right side of the outboard motor shown in FIG. 1;

FIG. 9 is a front perspective view of the left side of the outboard motor shown in FIG. 1; and,

FIG. 10 is a rear perspective view of the left side of the outboard motor shown in FIG. 1.

The surfaces or portions of the outboard motor shown in the drawings in phantom lines form no part of the claimed design.

**1 Claim, 10 Drawing Sheets**

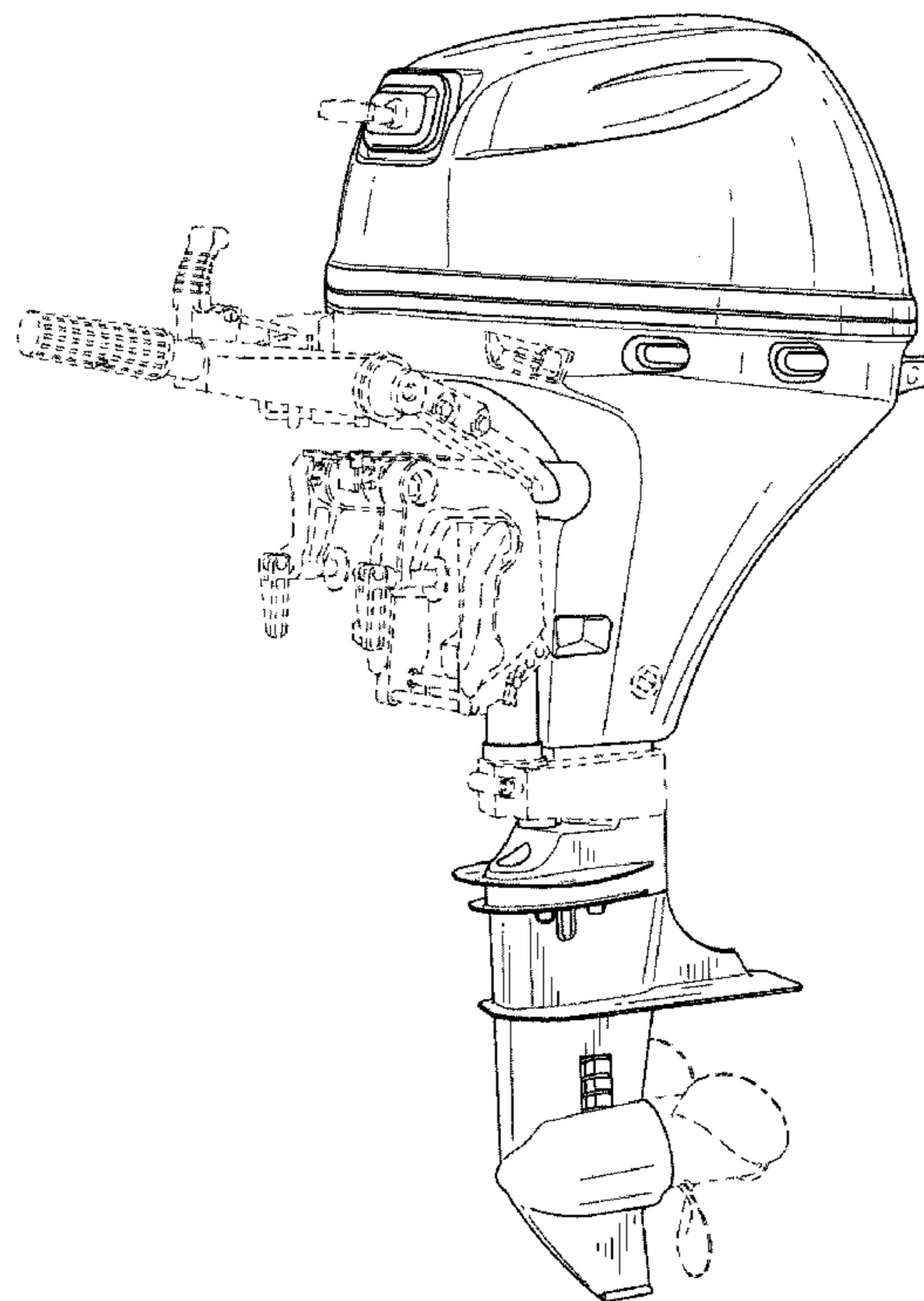


FIG. 1

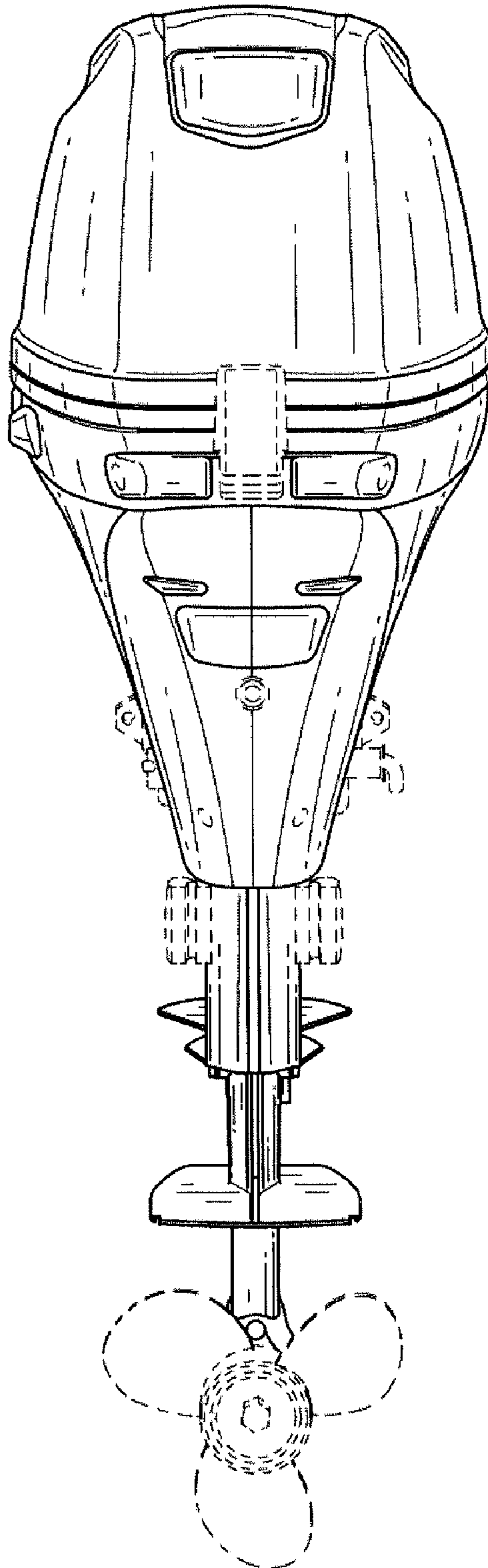


FIG. 2

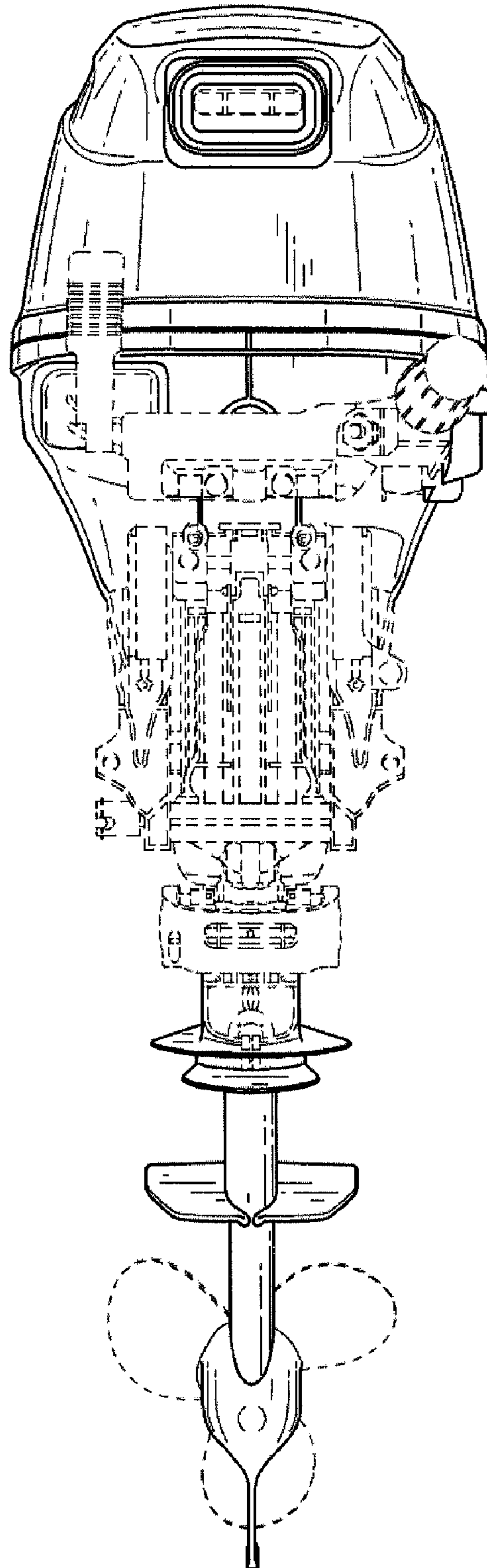


FIG. 3

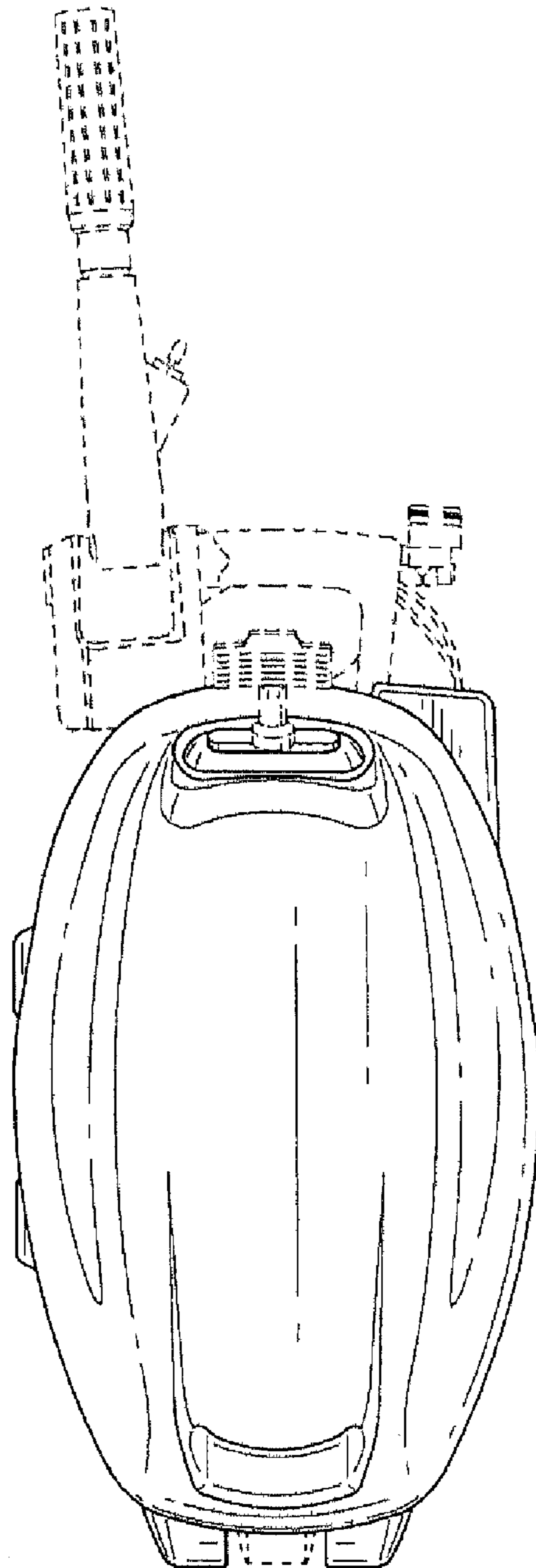


FIG. 4

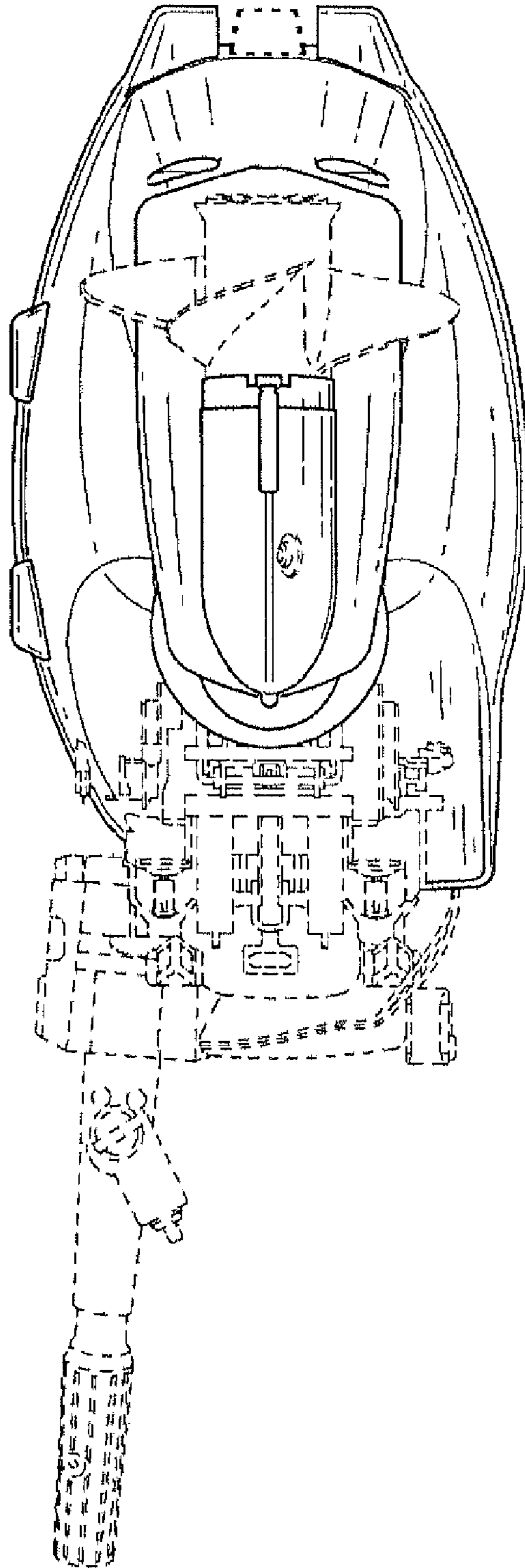


FIG. 5

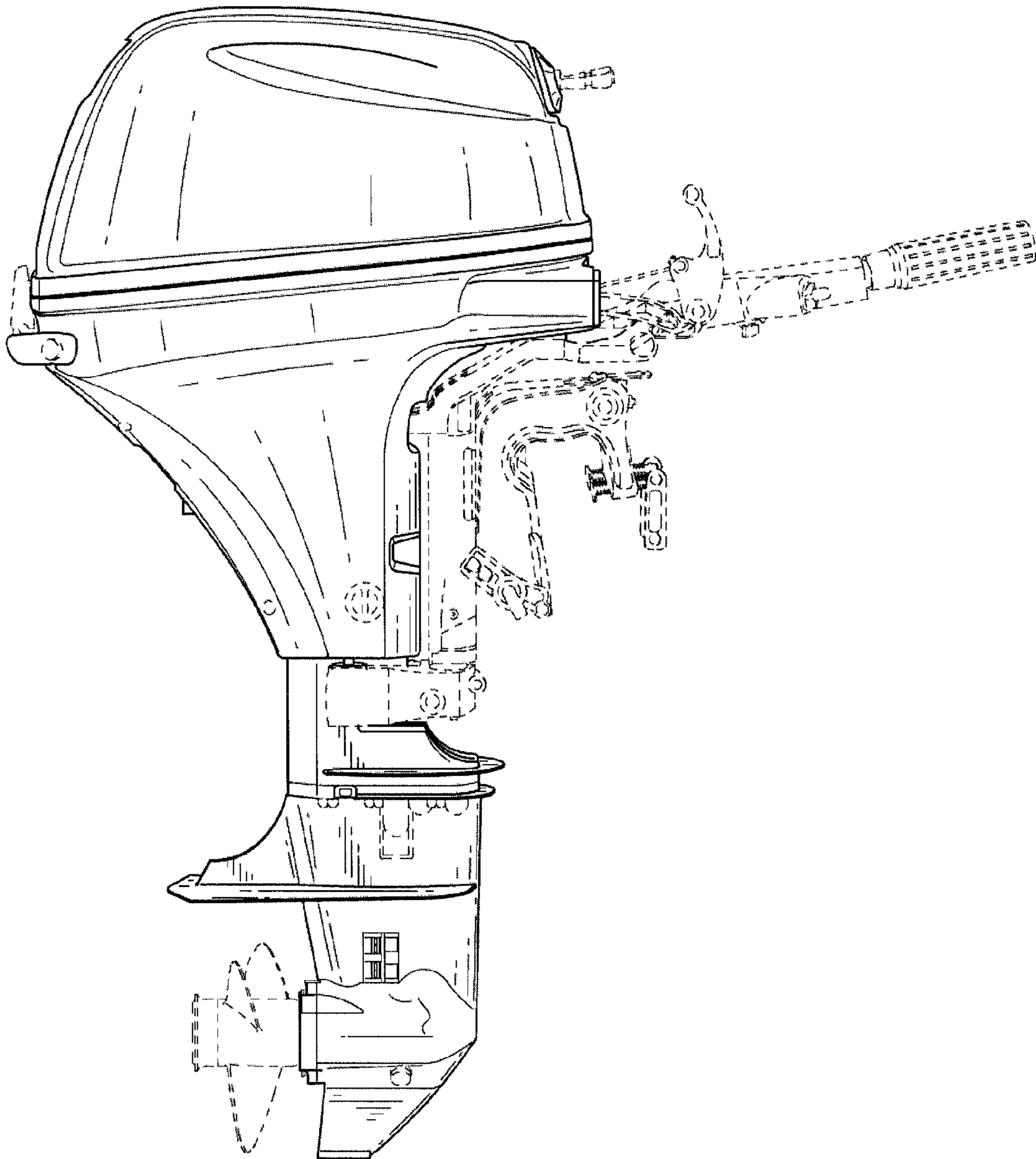


FIG. 6

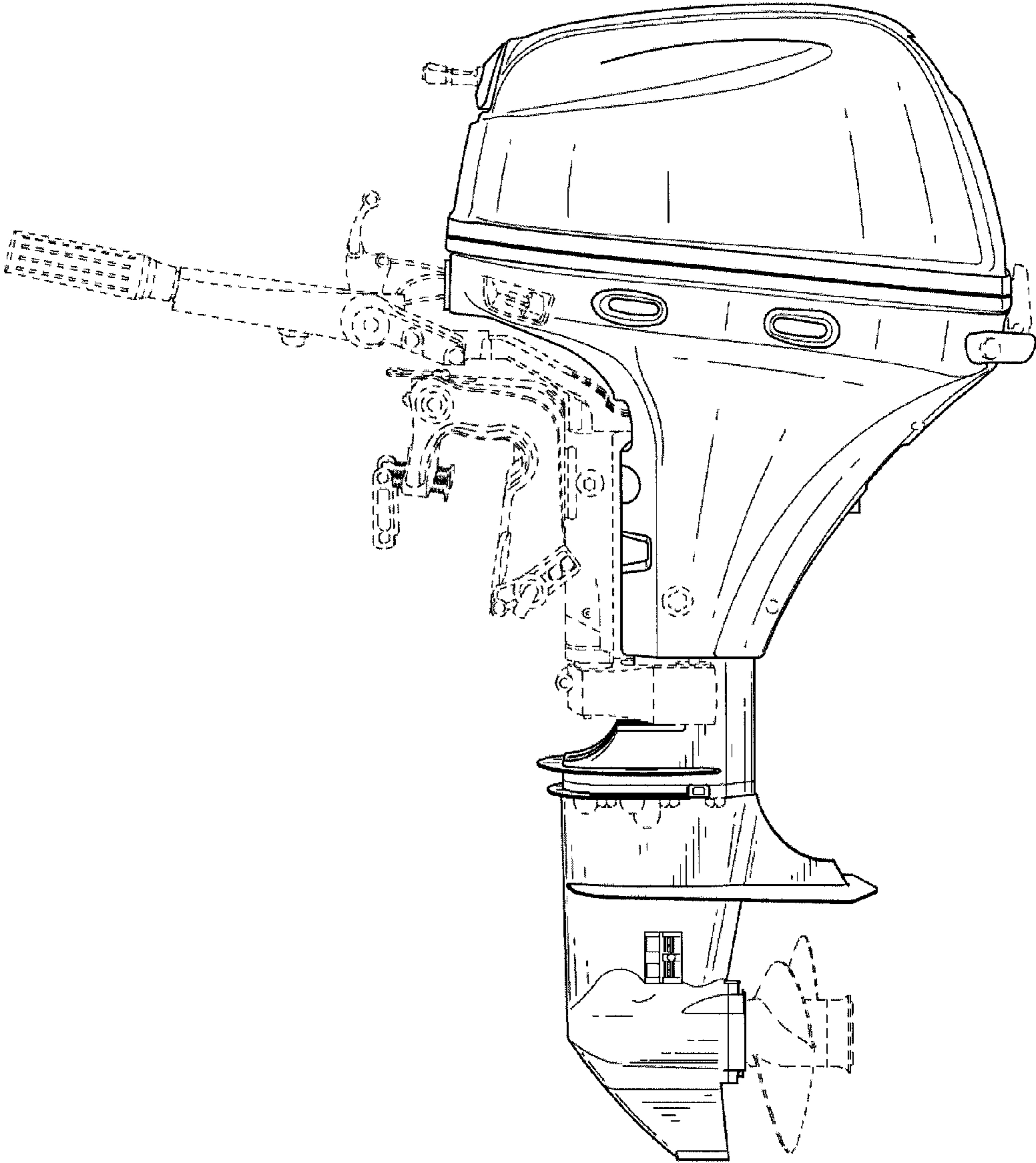


FIG. 7

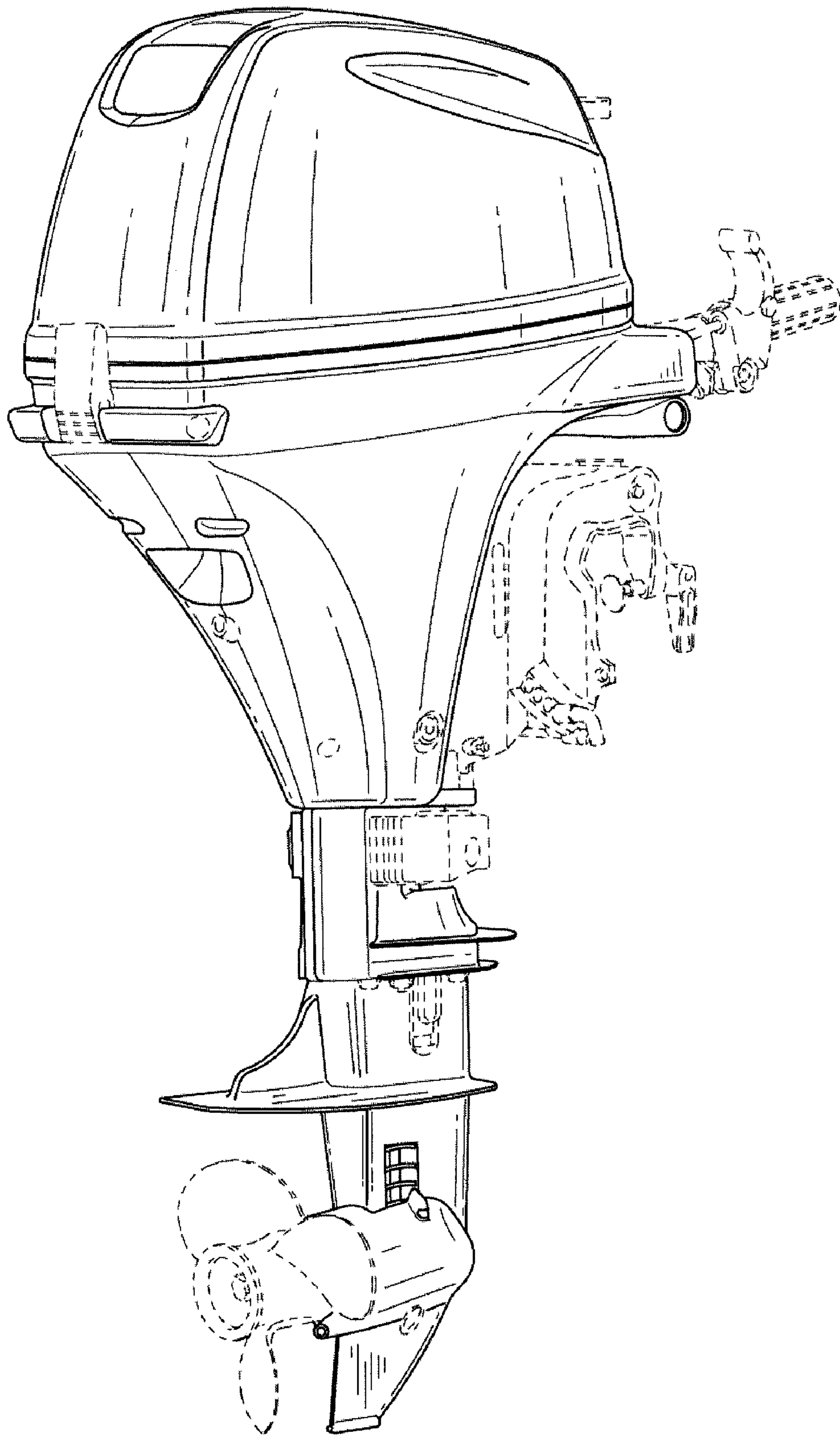




FIG. 8

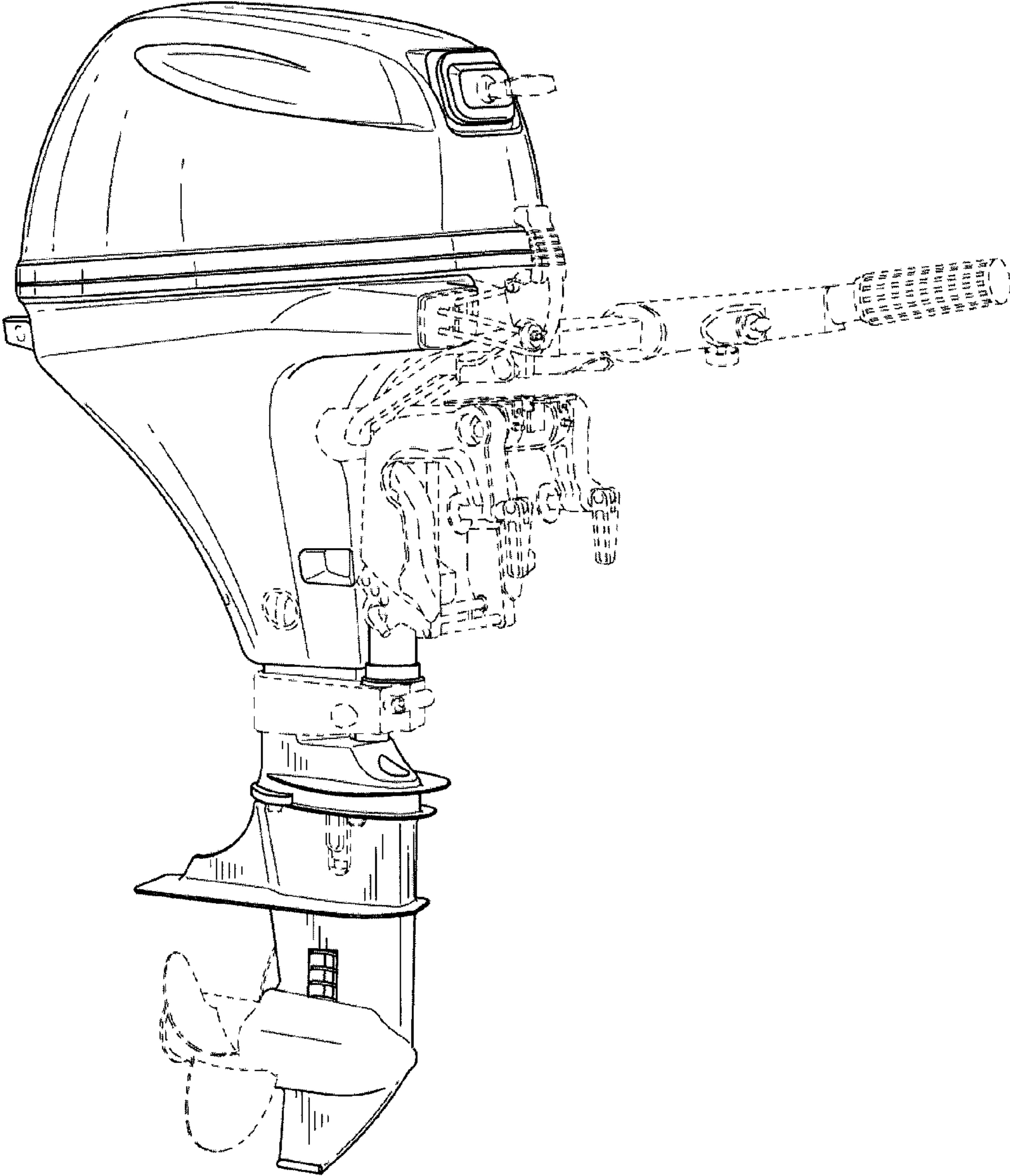


FIG. 9

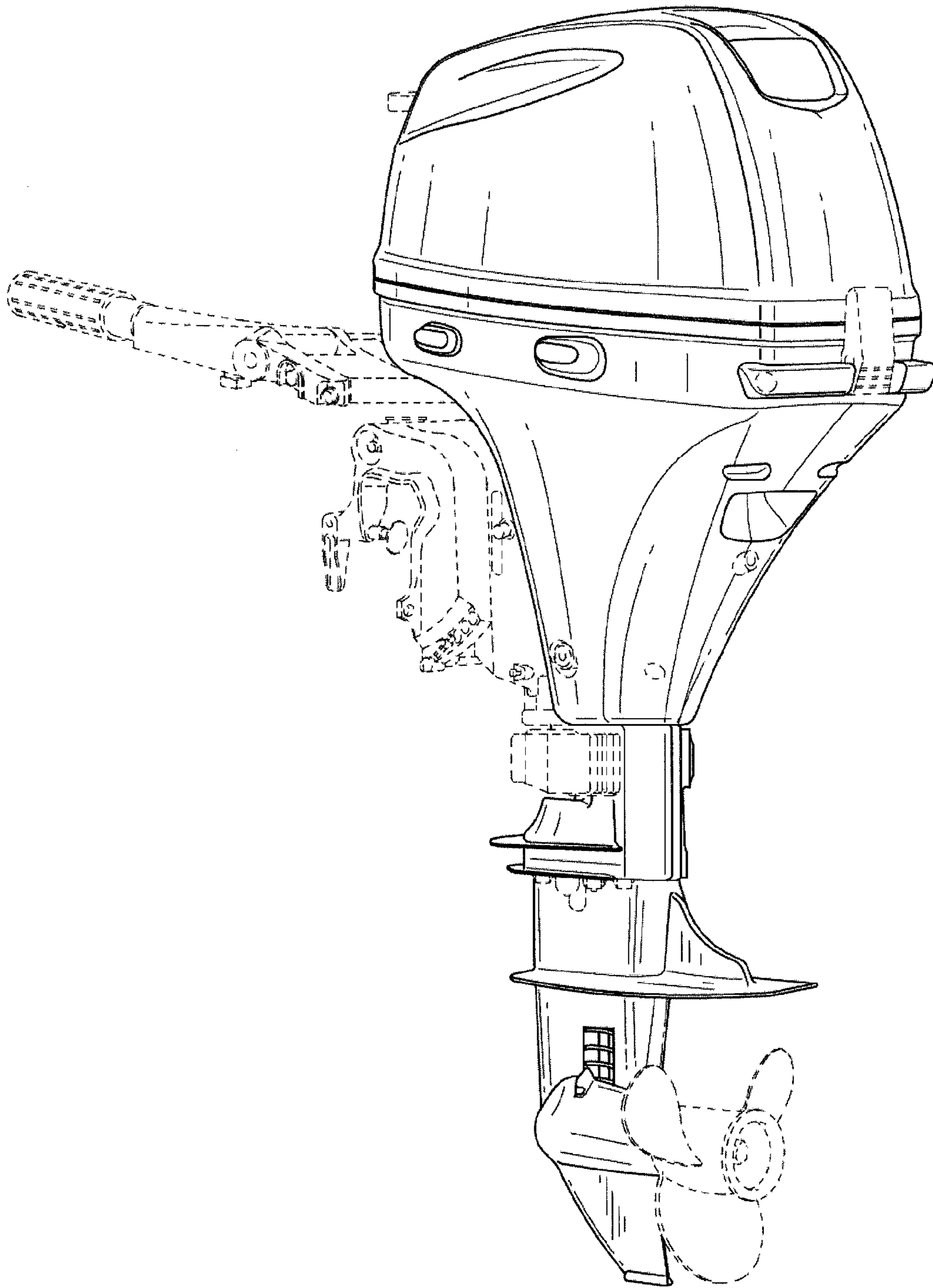


FIG. 10

