



US00D663320S

(12) **United States Design Patent**
Akana et al.

(10) **Patent No.:** **US D663,320 S**
(45) **Date of Patent:** **** Jul. 10, 2012**

(54) **ELECTRONIC DEVICE WITH GRAPHICAL USER INTERFACE**

345/169, 173-179, 905; 715/727-729, 864;
710/1, 5, 8; 713/1, 600; 455/1.1, 1.7, 73,
455/344-347, 93, 95, 3.01-3.06, 550.1, 573.1;
370/342-344; 369/1, 2, 6-12; 463/43-47;
273/148 B

(75) Inventors: **Jody Akana**, San Francisco, CA (US);
Bartley K. Andre, Menlo Park, CA (US);
Jeremy Bataillou, San Francisco, CA (US);
Daniel J. Coster, San Francisco, CA (US);
Anton Davydov, Gilroy, CA (US);
Daniele De Iuliis, San Francisco, CA (US);
Jorge Fino, San Francisco, CA (US);
Evans Hankey, San Francisco, CA (US);
Richard P. Howarth, San Francisco, CA (US);
Jonathan P. Ive, San Francisco, CA (US);
Duncan Robert Kerr, San Francisco, CA (US);
Shin Nishibori, Portola Valley, CA (US);
Matthew Dean Rohrbach, San Francisco, CA (US);
Peter Russell-Clarke, San Francisco, CA (US);
Christopher J. Stringer, Woodside, CA (US);
Eugene Antony Whang, San Francisco, CA (US);
Policarpo Wood, San Francisco, CA (US);
Rico Zorkendorfer, San Francisco, CA (US)

See application file for complete search history.

(56) **References Cited**

U.S. PATENT DOCUMENTS

D141,980 S	8/1945	Holland et al.	
5,128,829 A *	7/1992	Loew	361/679.3
D345,304 S	3/1994	Leader	
D385,548 S	10/1997	Paterson et al.	

(Continued)

OTHER PUBLICATIONS

Gizmodo, "Is This the Next iPod Shuffle?", <<http://gizmodo.com/5583144/is-this-the-next-ipod-shuffle>>, retrieved Dec. 17, 2010, 2 pages.

(Continued)

Primary Examiner — Prabhakar Deshmukh
(74) *Attorney, Agent, or Firm* — Sterne, Kessler, Goldstein & Fox PLLC

(57) **CLAIM**

The ornamental design for an electronic device with graphical user interface, as shown and described.

DESCRIPTION

FIG. 1 is a front bottom perspective view of an electronic device with graphical user interface showing our new design; FIG. 2 is a rear bottom perspective view thereof; FIG. 3 is a rear top perspective view thereof; FIG. 4 is a front top perspective view thereof; FIG. 5 is a front view thereof; FIG. 6 is a rear view thereof; FIG. 7 is a bottom view thereof; FIG. 8 is a top view thereof; FIG. 9 is a side view thereof; and, FIG. 10 is another side view thereof.

The broken lines showing portions of the electronic device and portions of the graphical user interface form no part of the claimed design.

1 Claim, 8 Drawing Sheets

(73) Assignee: **Apple Inc.**, Cupertino, CA (US)

(**) Term: **14 Years**

(21) Appl. No.: **29/401,912**

(22) Filed: **Sep. 16, 2011**

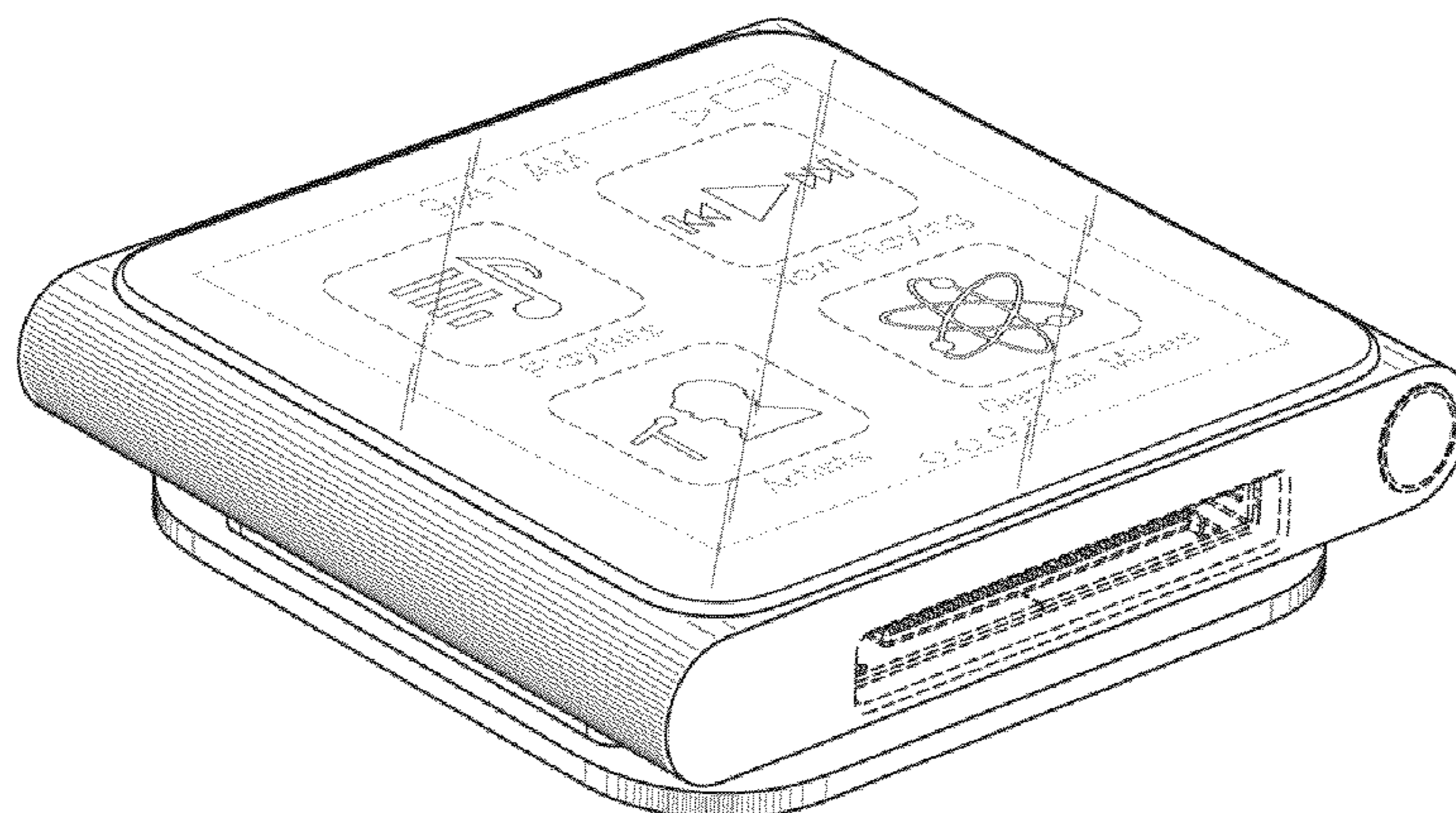
Related U.S. Application Data

(63) Continuation of application No. 29/368,991, filed on Aug. 31, 2010, now Pat. No. Des. 647,919, which is a continuation of application No. 29/367,996, filed on Aug. 16, 2010, now Pat. No. Des. 638,030.

(51) **LOC (9) Cl.** **14-03**

(52) **U.S. Cl.** **D14/496; D14/203.3**

(58) **Field of Classification Search** **D14/496, D14/401, 435, 474, 483, 217, 137, 138, 160, D14/168, 356, 203.1-203.8, 507; 345/156,**



US D663,320 S

Page 2

U.S. PATENT DOCUMENTS

D390,214 S 2/1998 Miller
5,808,862 A 9/1998 Robbins
5,889,843 A 3/1999 Singer et al.
D408,794 S 4/1999 Ogasawara
5,966,114 A 10/1999 Ito et al.
D424,041 S 5/2000 Tambata
6,122,526 A * 9/2000 Parulski et al. 455/556.1
D441,735 S 5/2001 Katayama
6,354,477 B1 * 3/2002 Trummer 224/575
D459,339 S 6/2002 Tong
D465,789 S 11/2002 Platz
6,567,011 B1 * 5/2003 Young et al. 340/12.28
6,595,860 B1 * 7/2003 Yamamoto et al. 463/43
D478,076 S 8/2003 Hong
D488,472 S 4/2004 Haase et al.
D490,796 S 6/2004 Allen
6,844,886 B1 1/2005 Yanagawa et al.
D514,585 S 2/2006 Moore et al.
D517,065 S 3/2006 Ko et al.
7,032,177 B2 4/2006 Novak et al.
D521,460 S 5/2006 Shimizu
D525,631 S 7/2006 Kaminaga et al.
D541,294 S 4/2007 Burkard et al.
D544,875 S 6/2007 Wang et al.
D546,202 S 7/2007 Chang
D547,320 S 7/2007 Kim et al.
D547,764 S 7/2007 Ma et al.
D551,246 S 9/2007 Gusmorino et al.
D555,171 S 11/2007 Dai
D556,193 S 11/2007 Laituri et al.
7,296,234 B2 11/2007 Fukuda et al.
D558,216 S 12/2007 Kim
D559,860 S 1/2008 Andre et al.
D559,861 S 1/2008 Andre et al.
D560,228 S 1/2008 Andre et al.
D563,426 S 3/2008 O'Donnell et al.
D563,434 S 3/2008 Dai
D563,982 S 3/2008 Montagne et al.
D564,530 S 3/2008 Kim et al.
7,365,782 B2 4/2008 Tanaka et al.
D569,389 S 5/2008 Andre et al.
D579,946 S 11/2008 Lee et al.
D580,949 S 11/2008 Duarte

D585,453 S 1/2009 Chen et al.
D588,610 S 3/2009 Andre et al.
D589,530 S 3/2009 Andre et al.
7,512,886 B1 3/2009 Herberger et al.
D590,826 S 4/2009 Andre et al.
D601,172 S 9/2009 Andre et al.
7,600,192 B1 10/2009 Hashimoto et al.
D603,867 S 11/2009 La et al.
D607,003 S 12/2009 Bull et al.
D607,464 S 1/2010 Tang et al.
D616,899 S 6/2010 Andre et al.
D617,334 S 6/2010 Chaudhri
D619,144 S 7/2010 Sepulveda
D621,845 S 8/2010 Anzures et al.
D623,195 S 9/2010 La et al.
D624,090 S 9/2010 Chaudhri
D626,134 S 10/2010 Chaudhri
D627,367 S 11/2010 Andre et al.
D638,030 S 5/2011 Akana et al.
D638,443 S 5/2011 Akana et al.
D638,854 S 5/2011 Andre et al.
D643,853 S 8/2011 Matas
D644,244 S 8/2011 Matas
D644,246 S 8/2011 Matas
D647,107 S 10/2011 Akana et al.
D647,919 S 11/2011 Akana et al.
D647,921 S 11/2011 Akana et al.
2002/0128928 A1 9/2002 Sukegawa
2008/0320445 A1 12/2008 Rosado et al.

OTHER PUBLICATIONS

Co-pending U.S. Appl. No. 29/368,994, Inventors Davydov et al., "Graphical User Interface and Icons for a Display Screen", filed Aug. 31, 2010.

Co-pending U.S. Appl. No. 29/391,989, Inventors Akana et al., "Electronic Device", filed May 16, 2011.

Discover Magazine, "Bad Astronomy," <http://blogs.discovermagazine.com/badastronomy/2009/04/08/my-secret-ne-farious-inky-plan-revealed/>, published Apr. 8, 2009, 1 page.

iStockphoto, "Atomic Icons and Symbols," <http://www.istockphoto.com/stock-illustration-486722-atomic-icons-and-symbols-1-credit-vector.php>, published Feb. 13, 2005, 1 page.

* cited by examiner

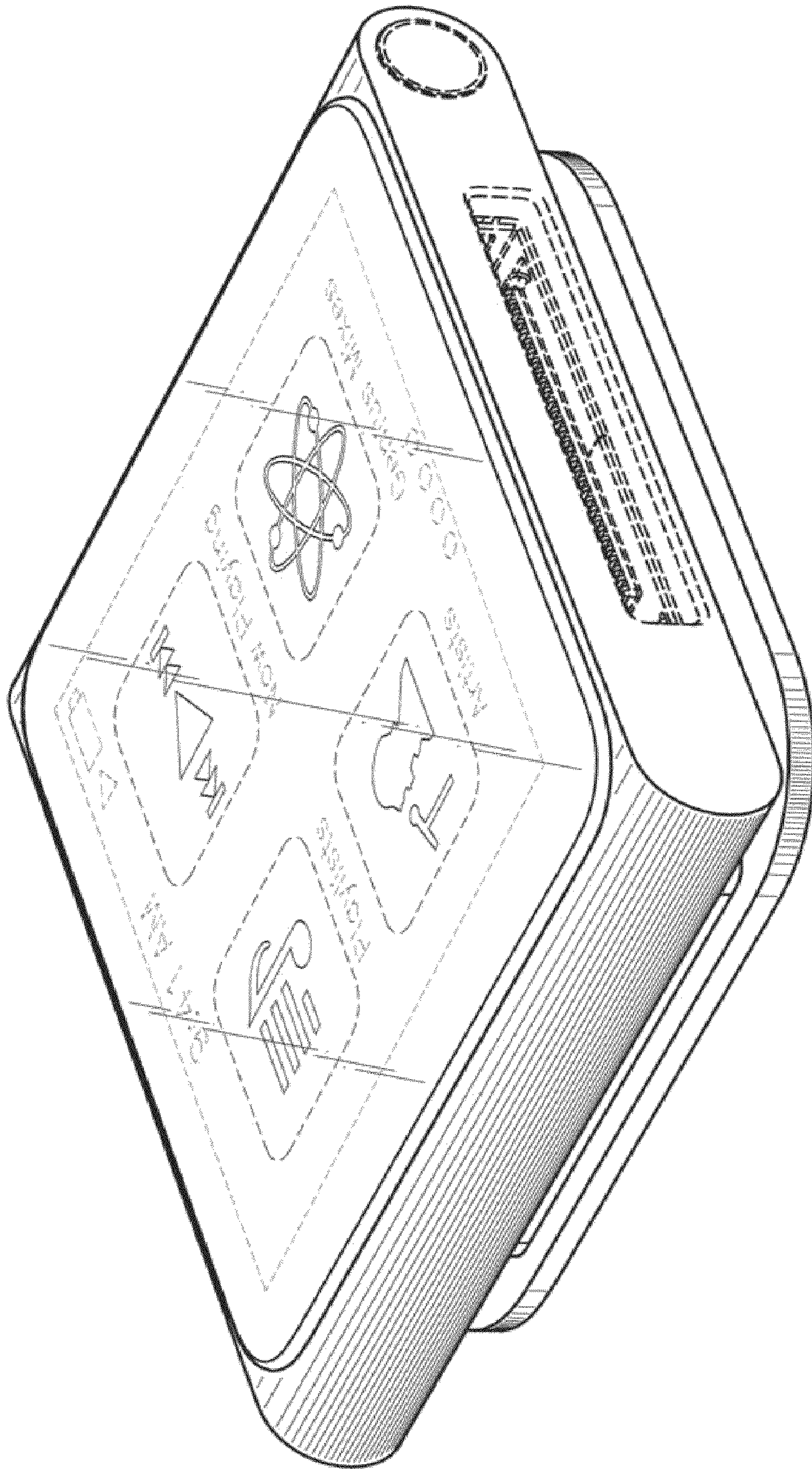


FIG.1

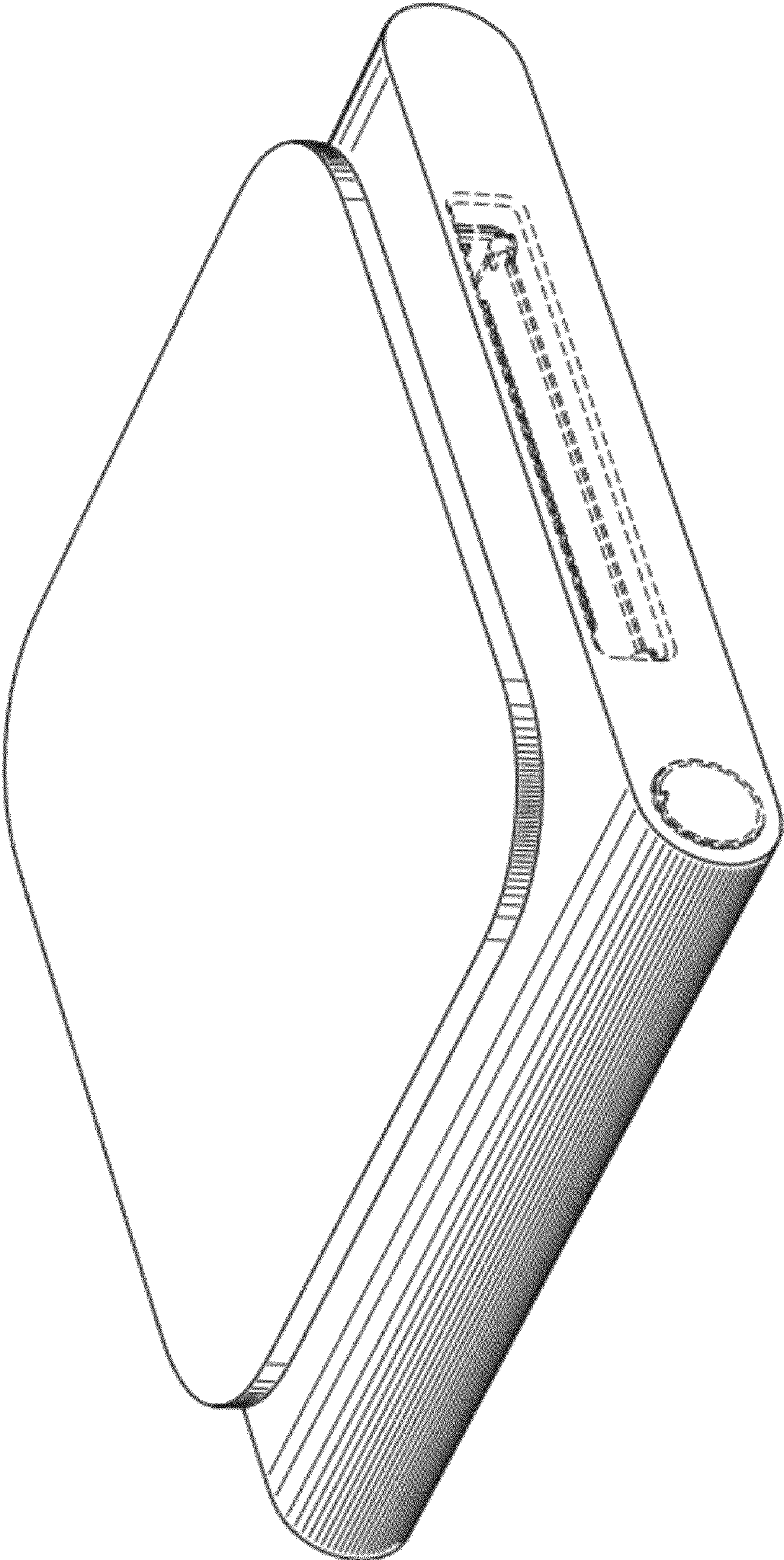


FIG.2

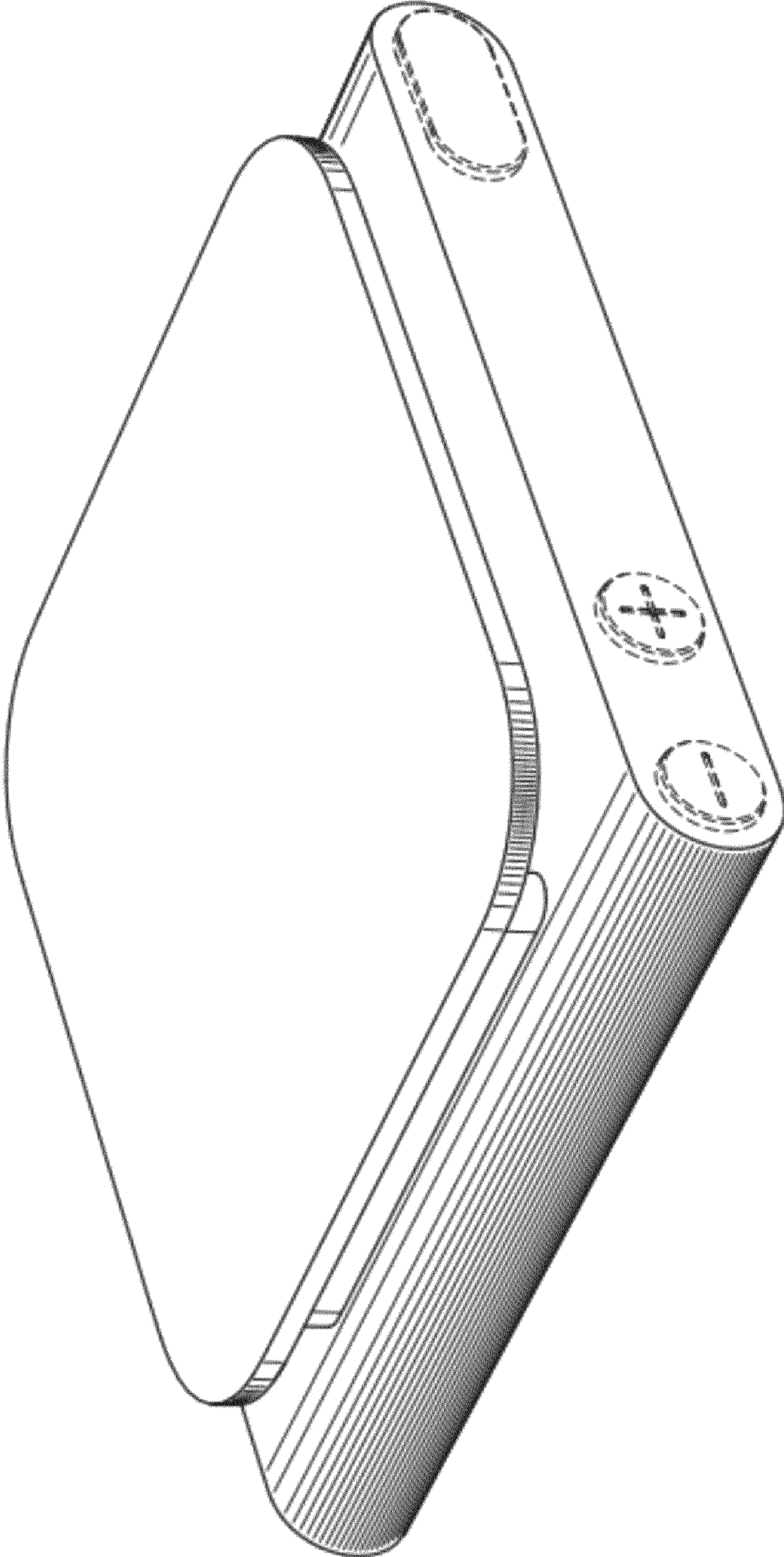


FIG.3

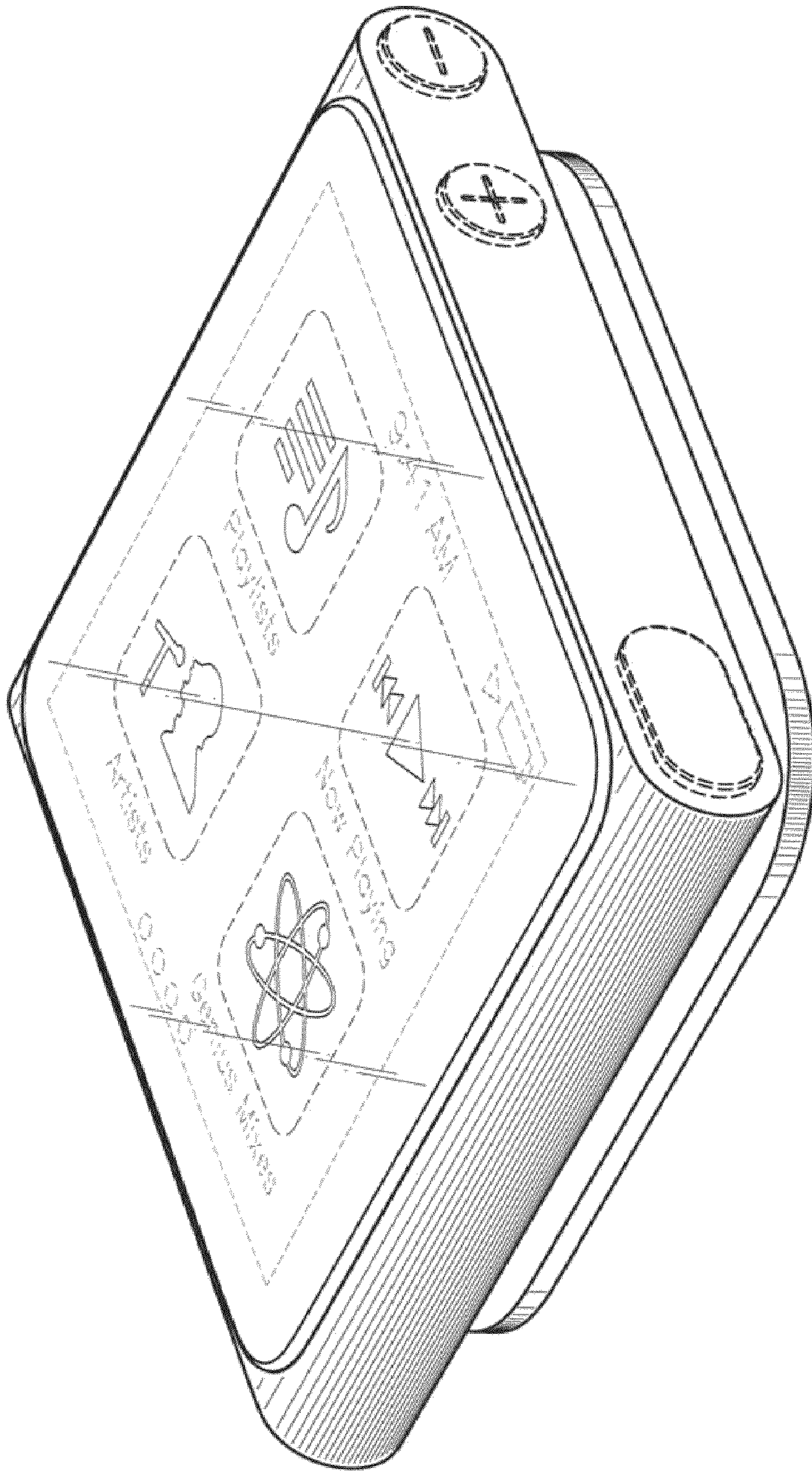


FIG.4

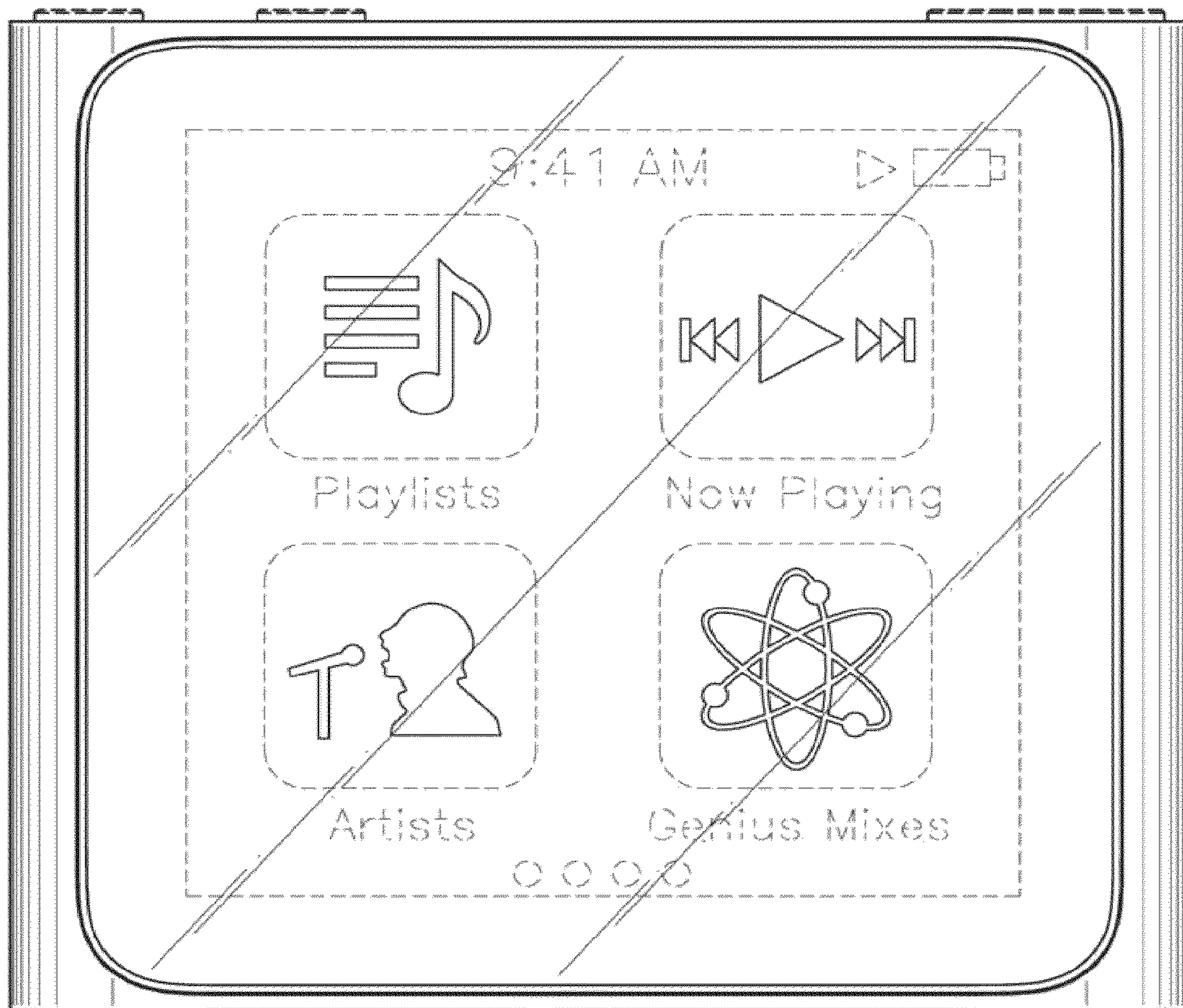


FIG. 5

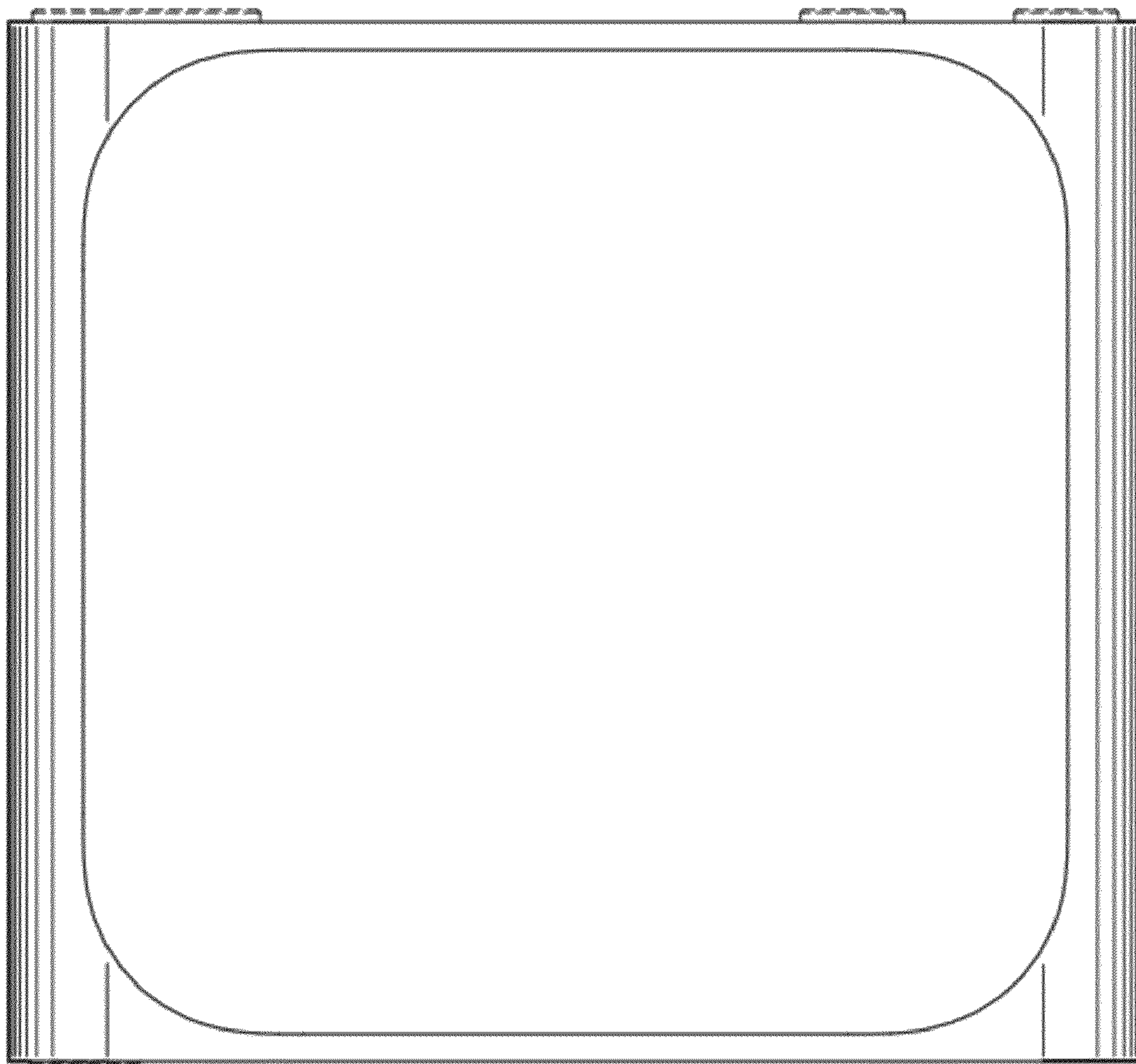


FIG. 6

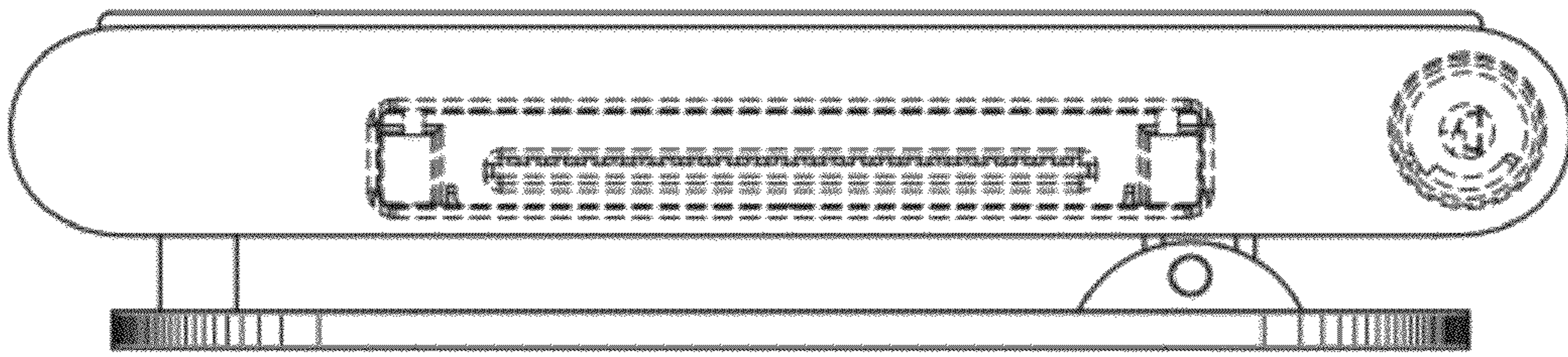


FIG. 7

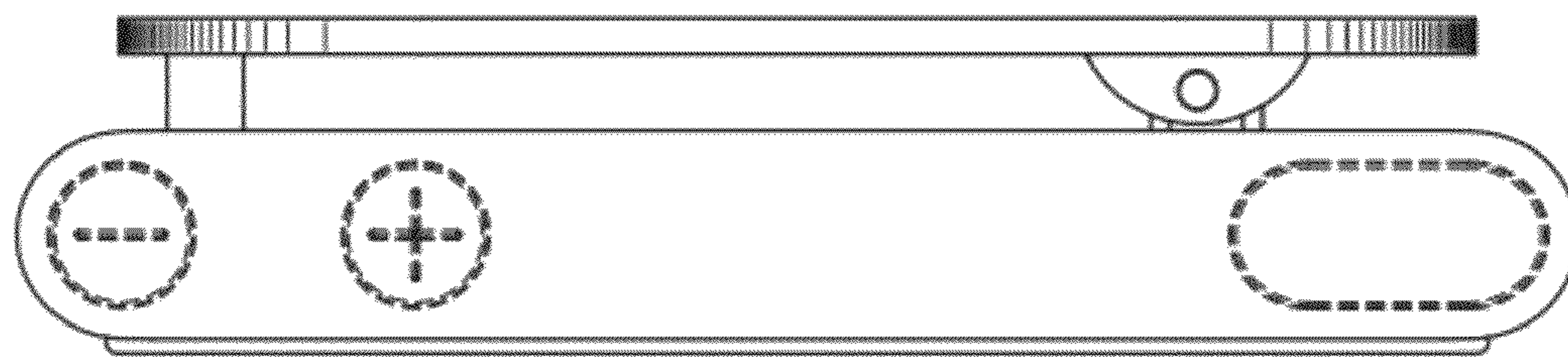


FIG. 8

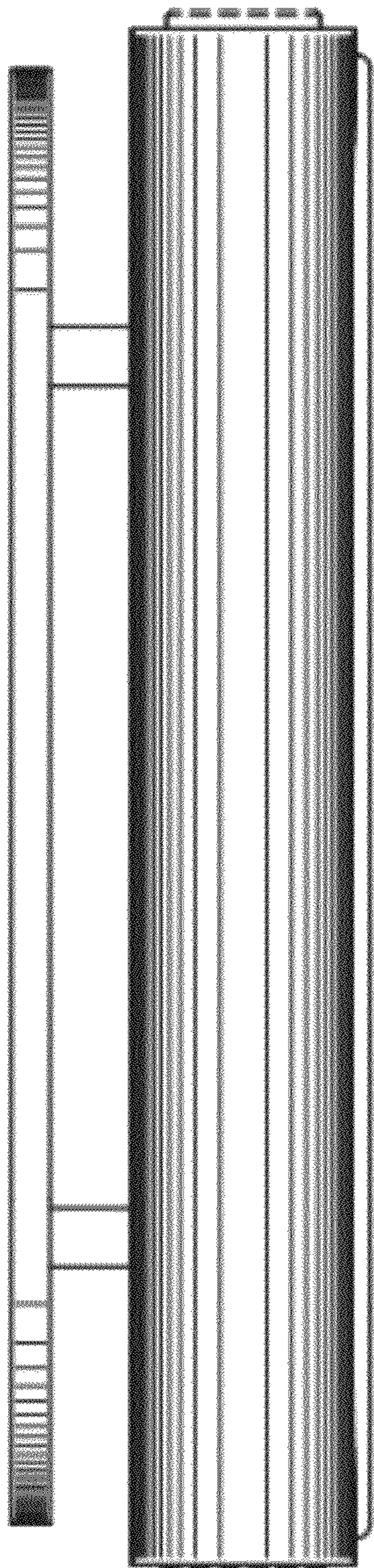


FIG. 9

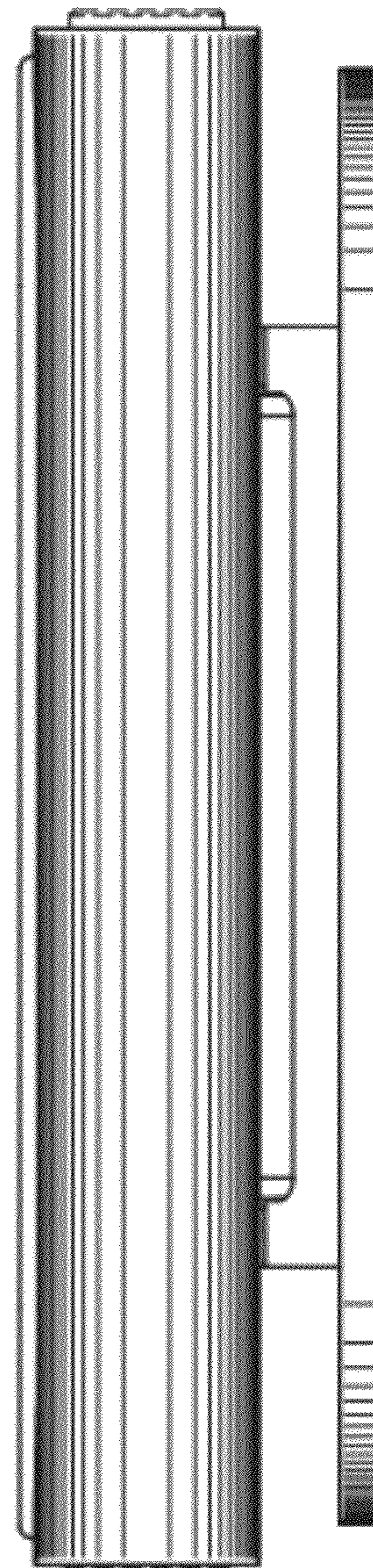


FIG. 10

UNITED STATES PATENT AND TRADEMARK OFFICE
CERTIFICATE OF CORRECTION

PATENT NO. : D663,320 S
APPLICATION NO. : 29/401912
DATED : July 10, 2012
INVENTOR(S) : Jody Akana

Page 1 of 1

It is certified that error appears in the above-identified patent and that said Letters Patent is hereby corrected as shown below:

Title Page, item (75), inventors, please change “Bartley K. Andre, Menlo Park, CA (US)” to
-- Bartley K. Andre, Palo Alto, CA (US) --.

Title Page, item (75), inventors, please change “Jorge Fino, San Francisco, CA (US)” to
-- Jorge Fino, San Jose, CA (US) --.

Title Page, item (75), inventors, please change “Shin Nishibori, Portola Valley, CA (US)” to
-- Shin Nishibori, Kailua, HI (US) --.

Title Page, item (75), inventors, please change “Policarpo Wood, San Francisco, CA (US)” to
-- Policarpo Wood, San Jose, CA (US) --.

Title Page, item (75), inventors, please change “Rico Zorkendorfer, San Francisco, CA (US)” to
-- Rico Zörkendörfer, San Francisco, CA (US) --.

Signed and Sealed this
Eighth Day of October, 2013



Teresa Stanek Rea
Deputy Director of the United States Patent and Trademark Office