



US00D663309S

(12) **United States Design Patent**
Hofer et al.

(10) **Patent No.:** **US D663,309 S**
(45) **Date of Patent:** **** Jul. 10, 2012**

(54) **KEYBOARD**

(75) Inventors: **Joseph Michael Hofer**, Kitchener (CA);
Todd Andrew Wood, Guelph (CA);
Jason Tyler Griffin, Kitchener (CA);
Norman Miner Ladouceur, Waterloo
(CA)

(73) Assignee: **Research In Motion Limited**, Waterloo,
Ontario (CA)

(**) Term: **14 Years**

(21) Appl. No.: **29/378,571**

(22) Filed: **Nov. 5, 2010**

Related U.S. Application Data

(63) Continuation of application No. 29/351,330, filed on
Dec. 3, 2009, now Pat. No. Des. 628,999.

(51) **LOC (9) Cl.** **14-02**

(52) **U.S. Cl.** **D14/455**

(58) **Field of Classification Search** D14/391–399,
D14/385, 455, 456; D18/1, 2, 7, 11; 178/17 A,
178/17 C; 200/5 A, 5 R, 6 A, 6 R; 235/145 A,
235/145 R; 341/22, 23, 35; 345/160, 168;
400/484–486, 488, 489, 492

See application file for complete search history.

(56) **References Cited**

U.S. PATENT DOCUMENTS

D470,150	S	*	2/2003	Lewis et al.	D14/455
D550,679	S	*	9/2007	Griffin et al.	D14/455
D556,206	S	*	11/2007	Pletikosa et al.	D14/455
D565,578	S	*	4/2008	Hofer et al.	D14/455
D578,542	S	*	10/2008	Pletikosa et al.	D14/455
D580,940	S	*	11/2008	Dabov	D14/455
D591,742	S	*	5/2009	Hofer et al.	D14/346
D593,554	S	*	6/2009	Griffin et al.	D14/346
D628,999	S	*	12/2010	Hofer et al.	D14/392
2006/0276219	A1	*	12/2006	Dabov	455/550.1
2007/0057821	A1	*	3/2007	Griffin	341/22
2008/0074393	A1	*	3/2008	Rak	345/168
2009/0179859	A1	*	7/2009	Wisebourt et al.	345/168

* cited by examiner

Primary Examiner — Freda S Nunn

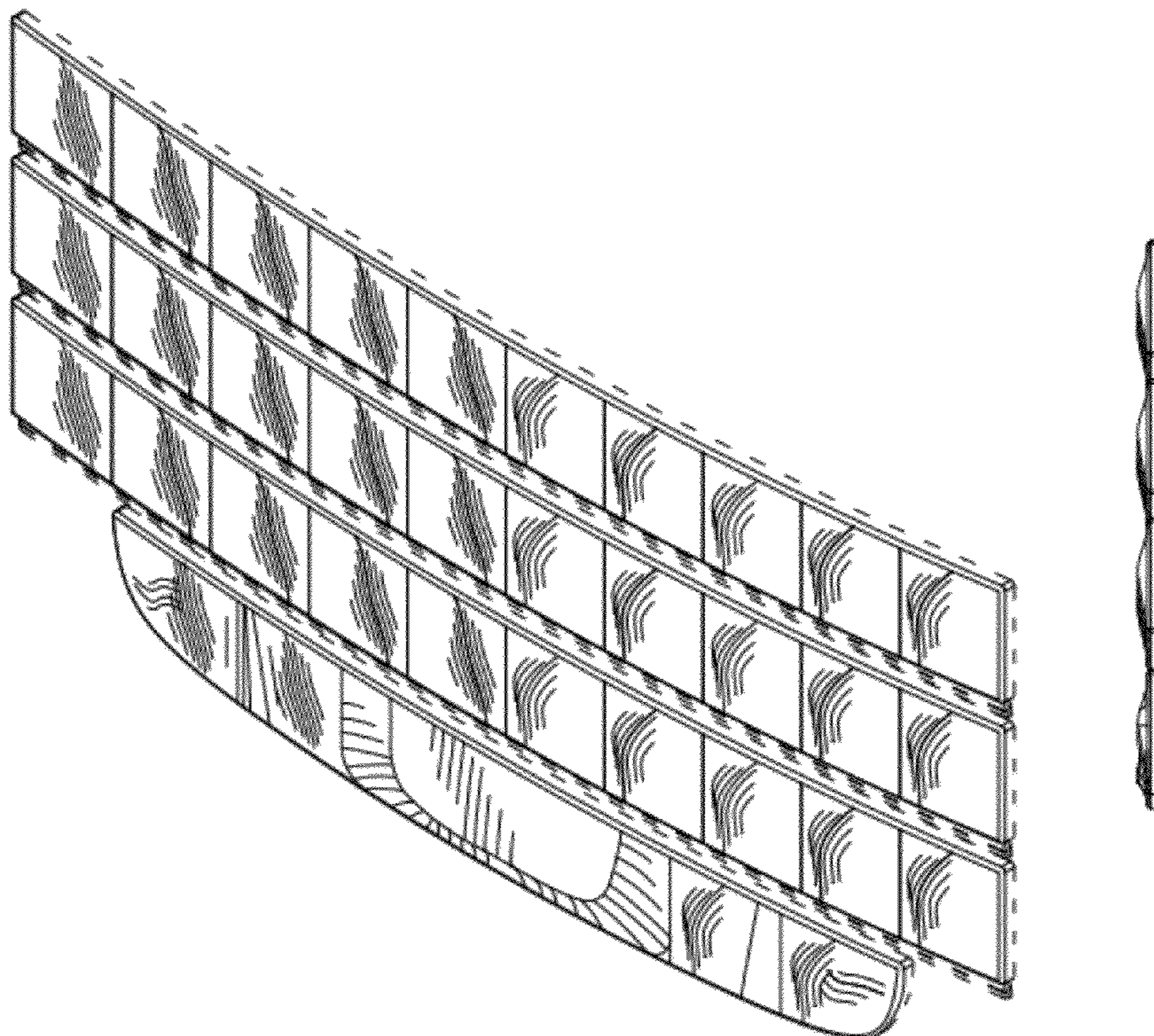
(57) **CLAIM**

We claim the ornamental design for a keyboard, as shown and described.

DESCRIPTION

FIG. 1 is a front perspective view of a keyboard;
FIG. 2 is a front elevation view thereof;
FIG. 3 is a right elevation view thereof;
FIG. 4 is a left elevation view thereof;
FIG. 5 is a top plan view thereof; and,
FIG. 6 is a bottom plan view thereof.
The broken lines shown in the drawings of the keyboard are for the purpose of illustrating portions of the article and form no part of the claimed design.

1 Claim, 4 Drawing Sheets



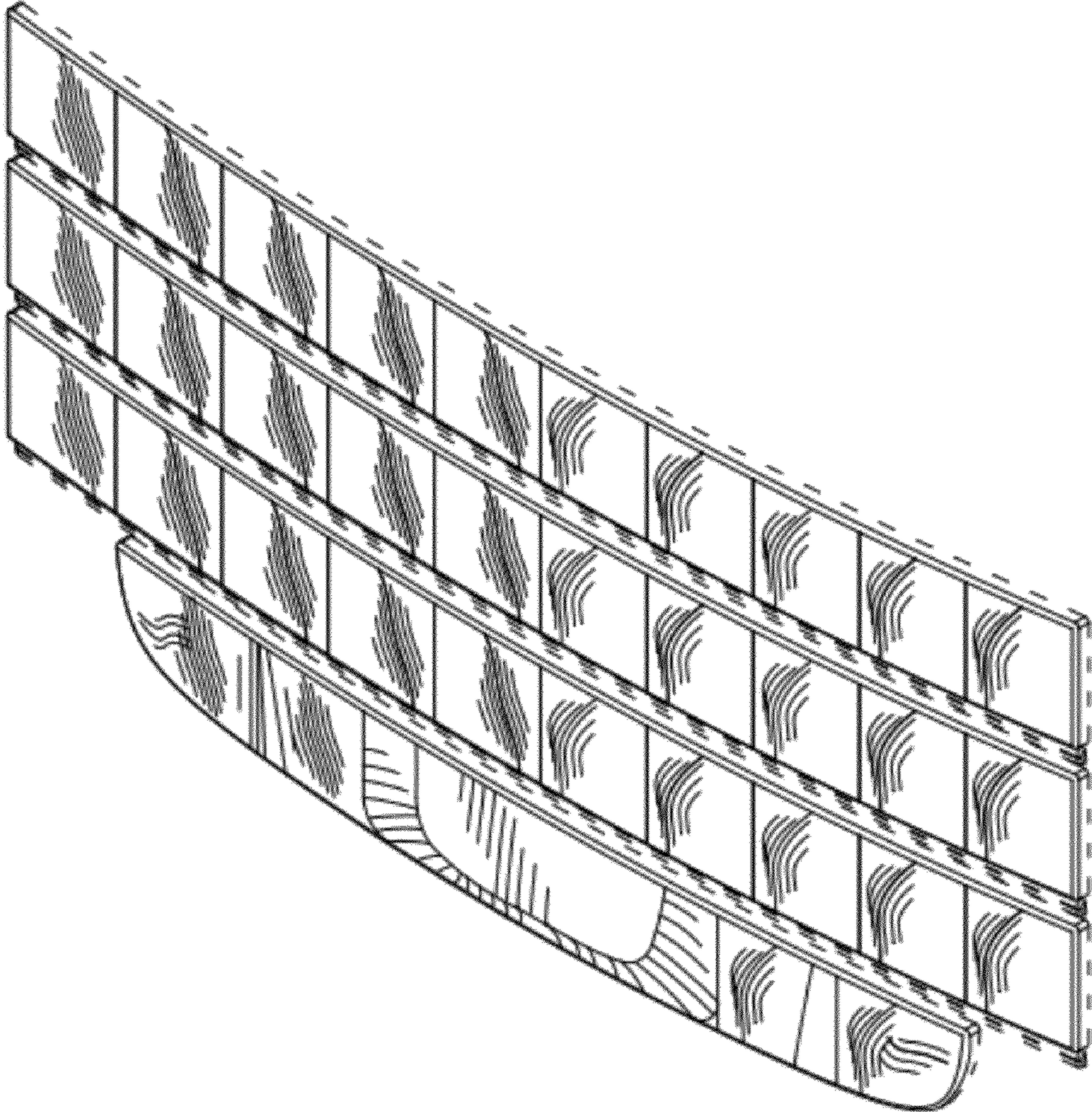


FIG.1

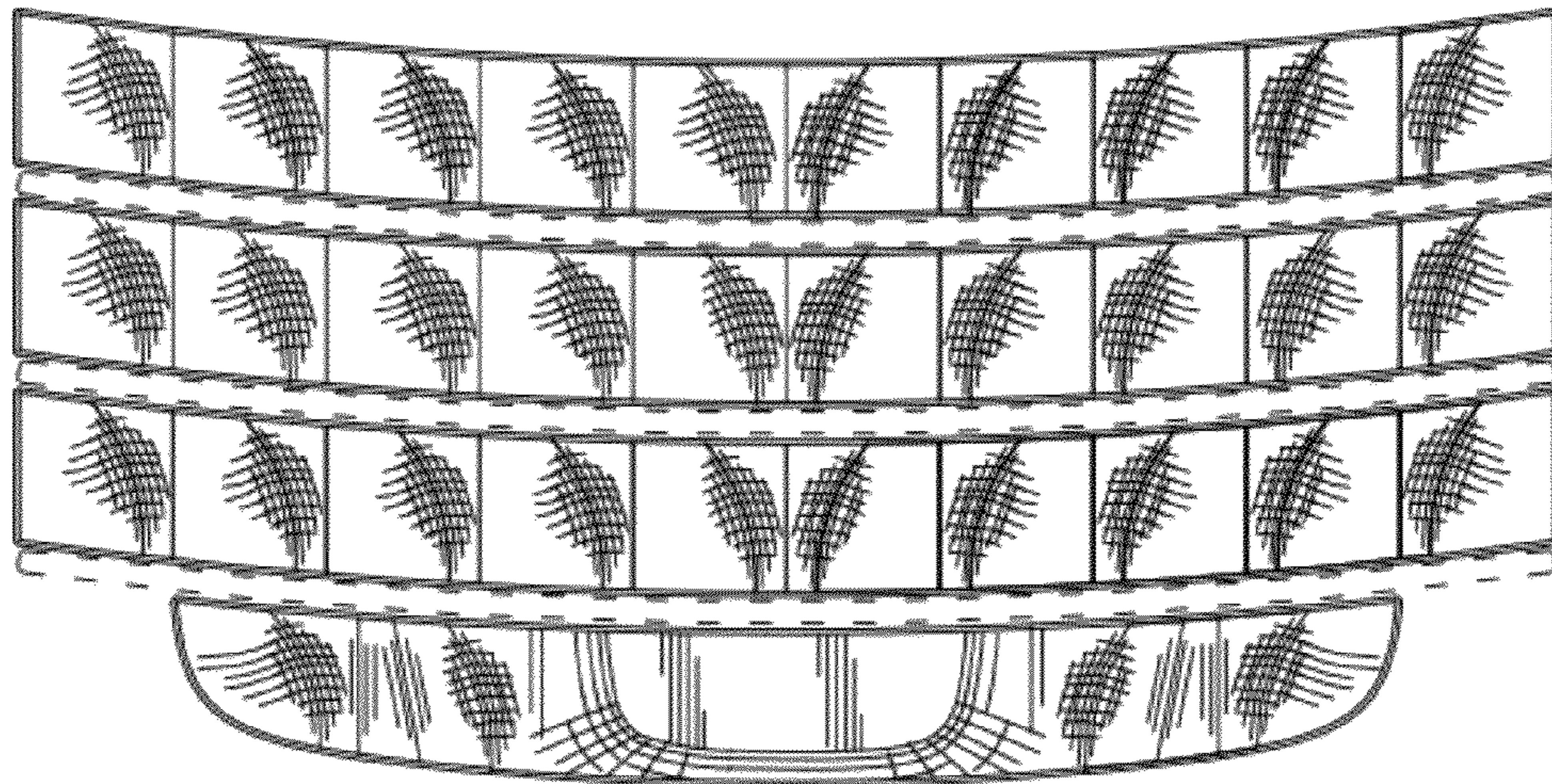


FIG.2



FIG.3



FIG.4

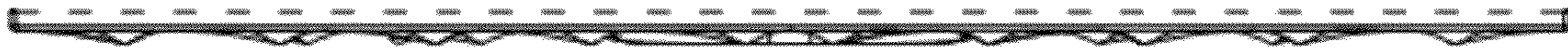


FIG. 5



FIG. 6