

US00D663308S

(12) **United States Design Patent**  
**Wylie**

(10) **Patent No.:** **US D663,308 S**  
(45) **Date of Patent:** **\*\* Jul. 10, 2012**

(54) **MOUNTING SYSTEM FOR USE WITH AUDIO/VISUAL DEVICES AND THE LIKE**

(75) Inventor: **Grant Wylie**, Plainfield, IL (US)

(73) Assignee: **Peerless Industries, Inc.**, Aurora, IL (US)

(\*\*) Term: **14 Years**

(21) Appl. No.: **29/413,086**

(22) Filed: **Feb. 10, 2012**

**Related U.S. Application Data**

(62) Division of application No. 29/393,796, filed on Jun. 9, 2011, now Pat. No. Des. 656,138.

(51) **LOC (9) Cl.** ..... **08-07**

(52) **U.S. Cl.** ..... **D14/452**

(58) **Field of Classification Search** ..... D14/452, D14/451, 448, 447, 239; D8/349, 363, 373, D8/380; 248/917-924, 122.1, 124.1, 125.8, 248/371, 393, 157, 425, 176.1, 186.1; 361/679.02, 361/679.04, 679.05, 679.06, 679.07, 679.21, 361/679.22

See application file for complete search history.

(56) **References Cited**

**U.S. PATENT DOCUMENTS**

D477,325 S	7/2003	Theis et al.	
D477,606 S	7/2003	Theis et al.	
D522,009 S	5/2006	Chen	
D543,211 S	5/2007	Petrick et al.	
D558,036 S *	12/2007	Rogers	D8/380
D558,192 S	12/2007	Daly et al.	
D565,399 S *	4/2008	Grey	D8/380
D577,730 S	9/2008	Rutten	
D588,118 S	3/2009	Townsend et al.	
D593,104 S	5/2009	Gillespie	
D603,386 S	11/2009	Le	
D632,301 S	2/2011	Kasuga et al.	

D635,143 S	3/2011	Derry et al.	
D644,648 S	9/2011	Anderson et al.	
D646,553 S	10/2011	Peng et al.	
8,083,189 B2 *	12/2011	Sun et al.	248/122.1
D652,412 S *	1/2012	Lozano	D14/239
D656,138 S *	3/2012	Wylie	D14/452
8,154,885 B2 *	4/2012	Anderson	361/825
2006/0284031 A1 *	12/2006	Whalen et al.	248/125.8
2008/0035813 A1 *	2/2008	O'Keene et al.	248/225.21
2009/0090825 A1 *	4/2009	Jung et al.	248/205.1
2010/0128423 A1 *	5/2010	Moscovitch	361/679.01

**OTHER PUBLICATIONS**

"Titan Ultra Slim Wall Mounts," Vivanco, [http://www.vivanco.com/cgi-bin/vivanco/en\\_US/teaserInfo7.html](http://www.vivanco.com/cgi-bin/vivanco/en_US/teaserInfo7.html), Jun. 15, 2011.

\* cited by examiner

*Primary Examiner* — Angela J Lee

(74) *Attorney, Agent, or Firm* — Foley & Lardner LLP

(57) **CLAIM**

I claim the ornamental design for a mounting system for use with audio/visual devices or the like, as shown and described.

**DESCRIPTION**

FIG. 1 is an isometric view of a mounting system for use with audio/visual devices or the like showing my new design, with break lines being included to indicate that no particular length is being claimed;

FIG. 2 is a right side elevational view thereof;

FIG. 3 is a left side elevational view thereof;

FIG. 4 is a top plan view thereof;

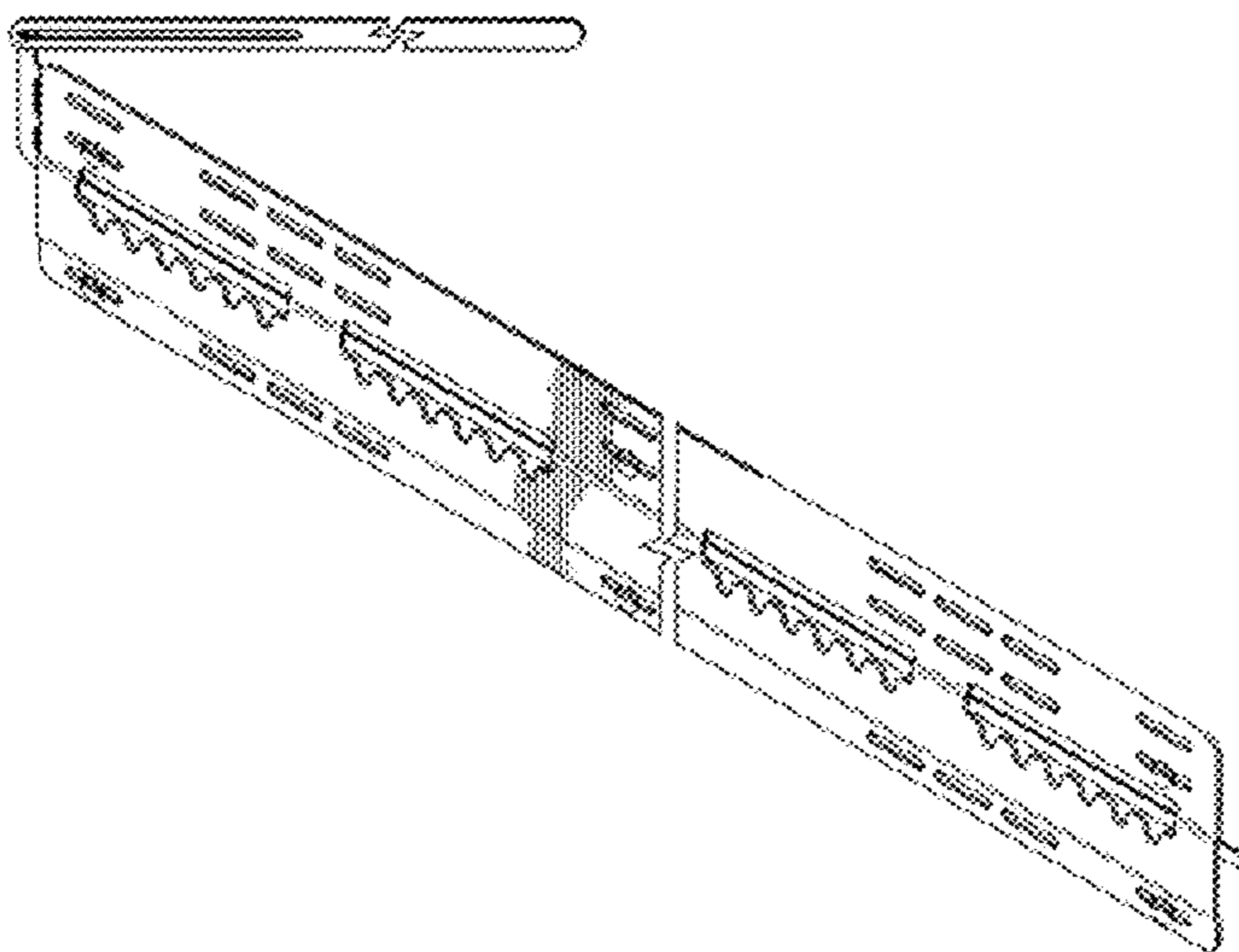
FIG. 5 is a bottom plan view thereof;

FIG. 6 is a front elevational view thereof; and,

FIG. 7 is a rear elevational view thereof.

The broken lines in the drawings are for illustrative purposes only and form no part of the claimed design. The mounting system for use with audio/visual devices or the like is shown broken away to indicate that no particular length is being claimed.

**1 Claim, 7 Drawing Sheets**



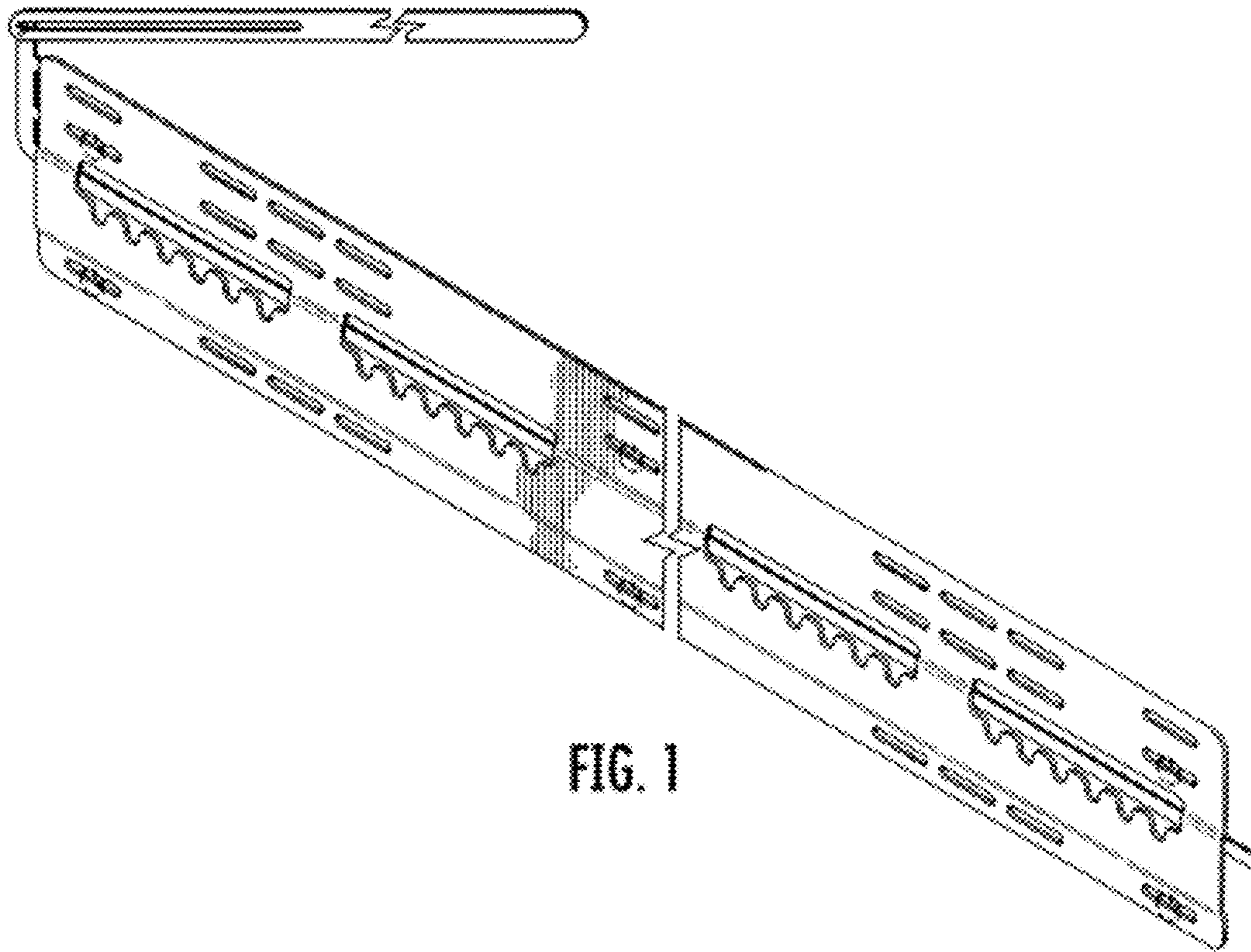
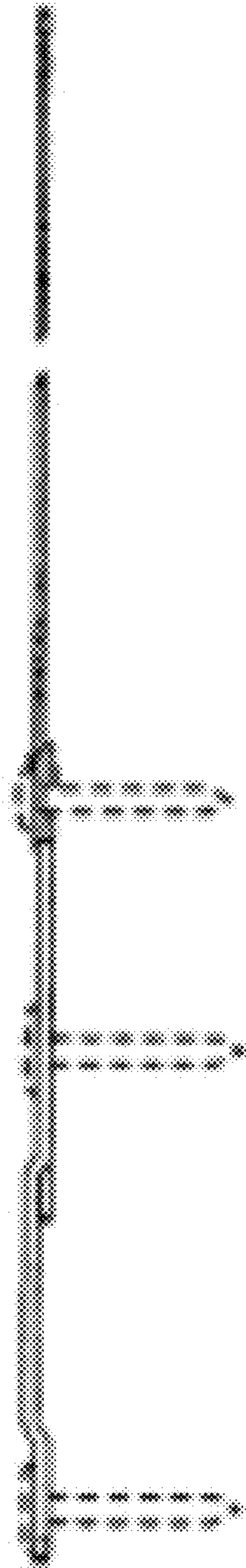
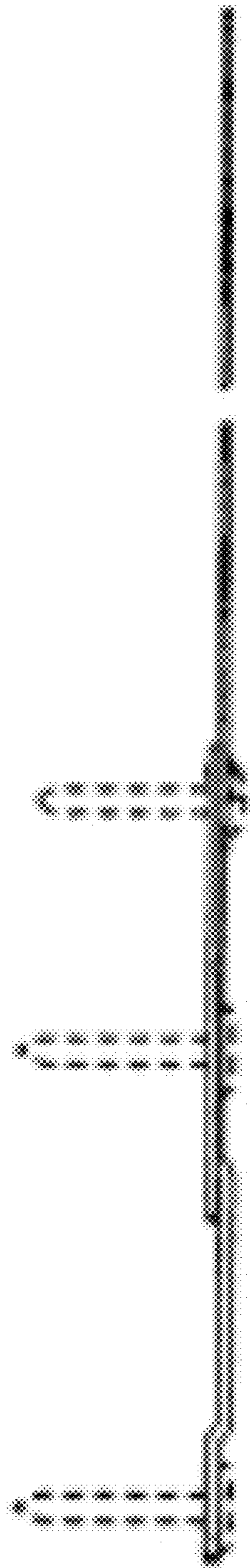


FIG. 1



**FIG. 2**



**FIG. 3**

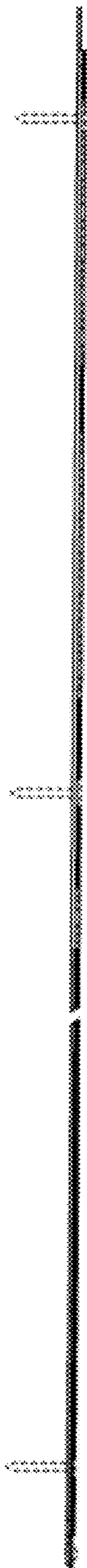


FIG. 4

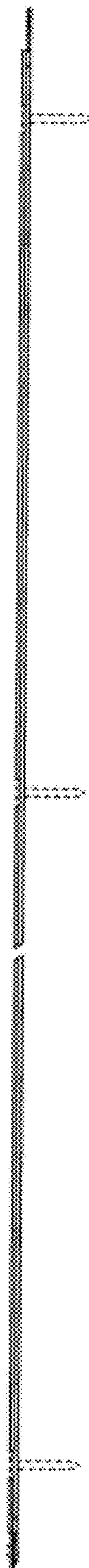


FIG. 5

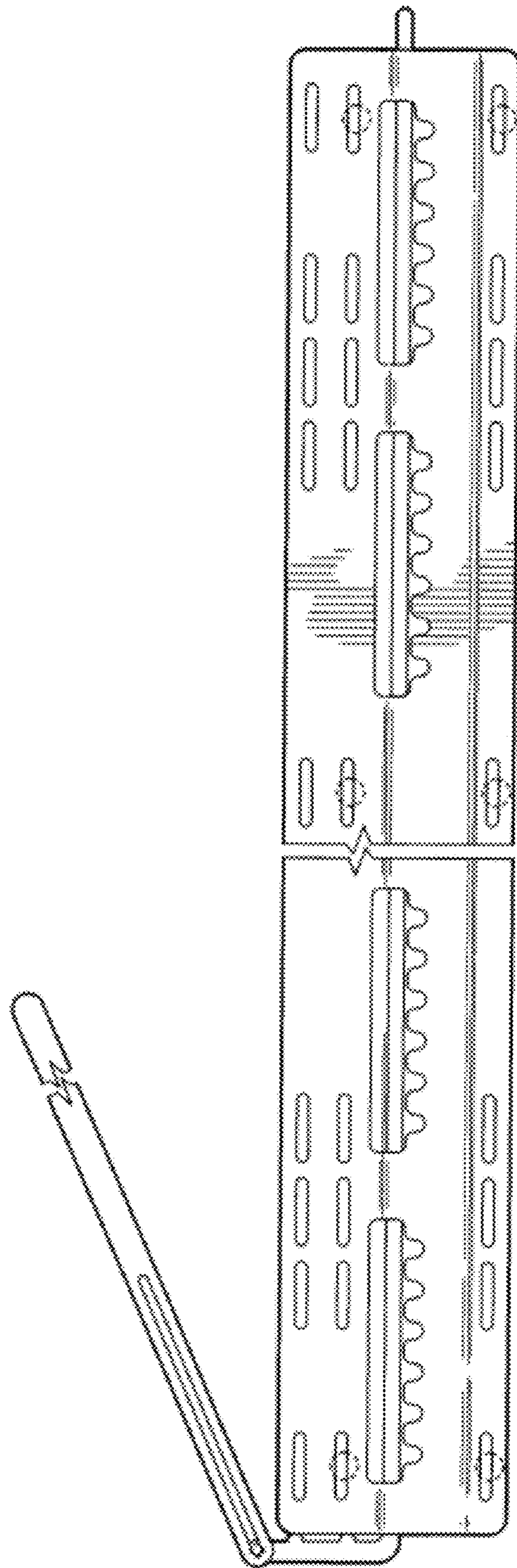


FIG. 6

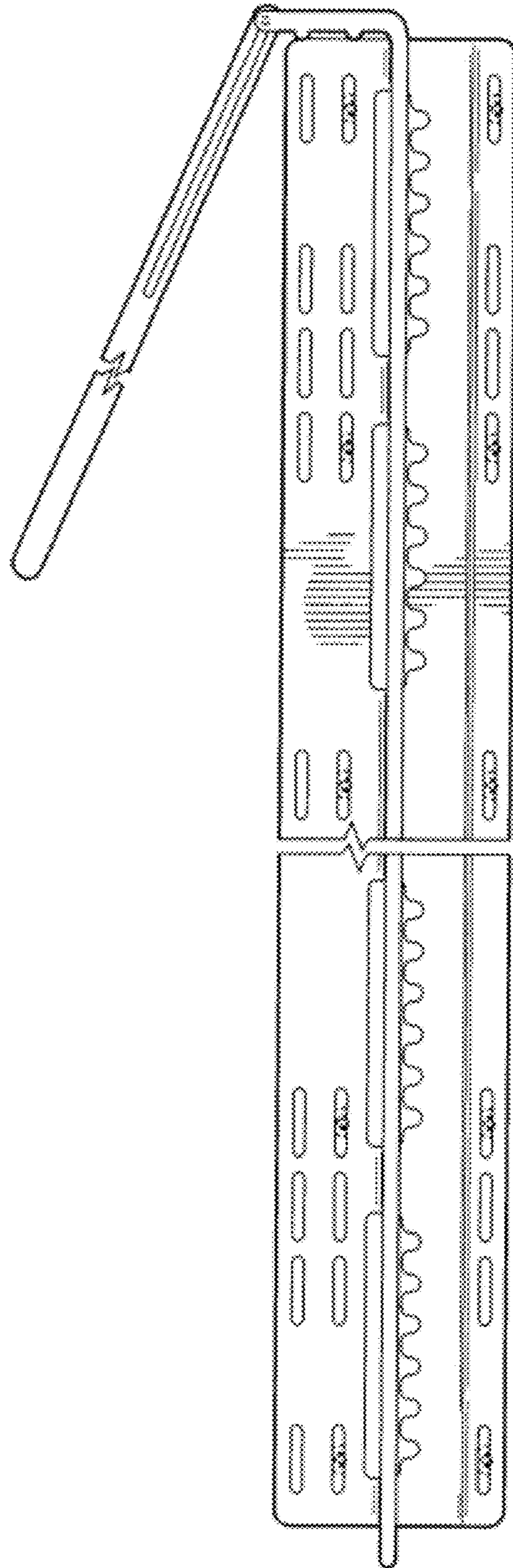


FIG. 7