



US00D663307S

(12) **United States Design Patent**  
**Sapper**

(10) **Patent No.:** **US D663,307 S**  
(45) **Date of Patent:** **\*\* Jul. 10, 2012**

(54) **SUPPORT APPARATUS**

(75) Inventor: **Richard Sapper**, Milan (IT)

(73) Assignee: **Knoll, Inc.**, East Greenville, PA (US)

(\*\*) Term: **14 Years**

(21) Appl. No.: **29/406,689**

(22) Filed: **Nov. 17, 2011**

(51) **LOC (9) Cl.** ..... **08-07**

(52) **U.S. Cl.** ..... **D14/452**

(58) **Field of Classification Search** ..... D14/448,  
D14/451, 452, 457, 460, 461, 432, 439, 447,  
D14/127, 239, 373, 374, 377; D8/349, 354,  
D8/363, 373, 376, 380; 248/519, 534, 541,  
248/58, 125.8, 127, 131, 133, 139, 176.1,  
248/176.3, 188.5, 279.1, 333, 917, 918, 919,  
248/920, 921, 922, 923, 924; 361/679.02,  
361/679.04, 679.05, 679.06, 679.07, 679.09,  
361/679.21, 679.22, 679.26, 679.3; 379/454,  
379/455; 312/223.3; 348/825

See application file for complete search history.

(56) **References Cited**

**U.S. PATENT DOCUMENTS**

5,687,939	A	11/1997	Moscovitch	
6,343,006	B1	1/2002	Moscovitch et al.	
6,554,238	B1	4/2003	Hibberd	
D477,325	S *	7/2003	Theis et al.	D14/451
D477,606	S *	7/2003	Theis et al.	D14/451
7,246,780	B2	7/2007	Oddsens, Jr.	
7,331,551	B2 *	2/2008	Oddsens, Jr.	248/279.1
7,369,401	B1	5/2008	Floersch et al.	
D606,548	S	12/2009	Sapper	
7,652,876	B2	1/2010	Moscovitch	
D621,842	S	8/2010	Sapper	
D624,084	S *	9/2010	Scheper et al.	D14/452
D629,808	S	12/2010	Sapper	
D632,301	S *	2/2011	Kasuga et al.	D14/452
D635,143	S *	3/2011	Derry et al.	D14/451
7,952,863	B1 *	5/2011	Stifal	361/679.21
2003/0015632	A1 *	1/2003	Dunn et al.	248/122.1
2006/0065795	A1 *	3/2006	Blackburn	248/122.1
2007/0097618	A1 *	5/2007	Searby et al.	361/686
2008/0061196	A1 *	3/2008	Oddsens, Jr.	248/127
2008/0173774	A1 *	7/2008	Saez et al.	248/124.1
2009/0173847	A1	7/2009	Dittmer et al.	

2010/0044541	A1 *	2/2010	Sapper et al.	248/371
2011/0075345	A1 *	3/2011	Moscovitch	361/679.22
2011/0303800	A1 *	12/2011	Sapper et al.	248/70

**FOREIGN PATENT DOCUMENTS**

CN	301375408	*	11/2010
WO	2008091998		7/2008
WO	2009151760		12/2009

\* cited by examiner

*Primary Examiner* — Angela J Lee

(74) *Attorney, Agent, or Firm* — Buchanan Ingersoll & Rooney PC

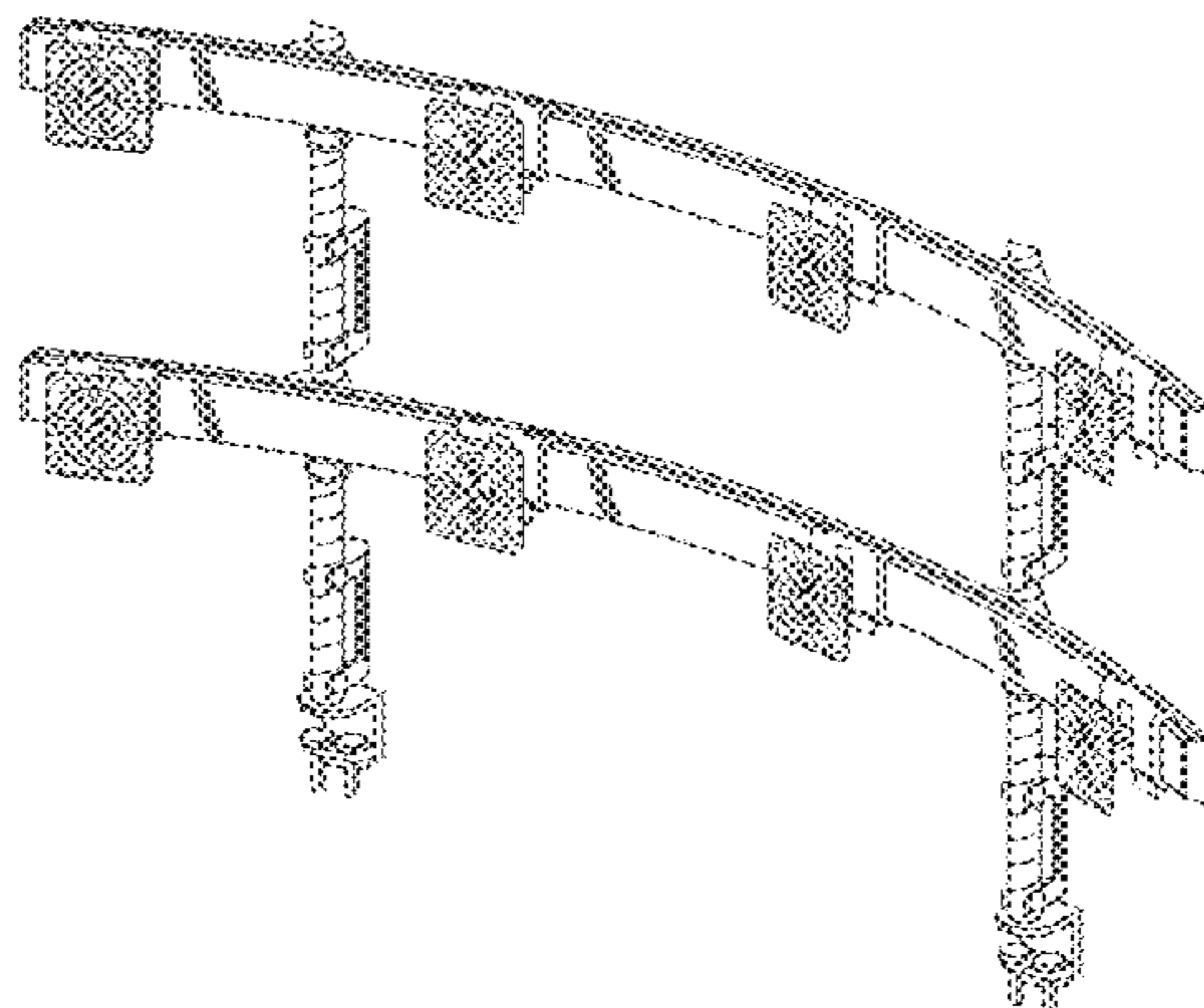
(57) **CLAIM**

The ornamental design for a support apparatus, as shown and described.

**DESCRIPTION**

FIG. 1 is a front perspective view of my support apparatus; FIG. 2 is a rear perspective view thereof; FIG. 3 is a front elevational view thereof; FIG. 4 is a rear elevational view thereof; FIG. 5 is a top plan view thereof; FIG. 6 is a bottom plan view thereof; FIG. 7 is a right side elevational view thereof; FIG. 8 is a left side elevational view thereof; FIG. 9 is a perspective view of my support apparatus of FIG. 1 with the monitors removed; FIG. 10 is a front elevational view thereof; FIG. 11 is a right side elevational view thereof; FIG. 12 is a front perspective view of an alternate embodiment of my support apparatus; FIG. 13 is a rear perspective view thereof; FIG. 14 is a front elevational view thereof; FIG. 15 is a rear elevational view thereof; FIG. 16 is a top plan view thereof; FIG. 17 is a bottom plan view thereof; FIG. 18 is a right side elevational view thereof; FIG. 19 is a left side elevational view thereof; FIG. 20 is a perspective view of my support apparatus of FIG. 12 with the monitors removed; FIG. 21 is a front elevational view thereof; and, FIG. 22 is a right side elevational view thereof. The phantom lines in FIGS. 1-8 and FIGS. 12-19 are for illustrative purposes only to show sample monitors and to further indicate environment and do not form any part of the claimed design. The recesses formed in the mounting plates shown in broken lines in FIGS. 9, 10, 20 and 21 form no part of the claimed design.

**1 Claim, 20 Drawing Sheets**



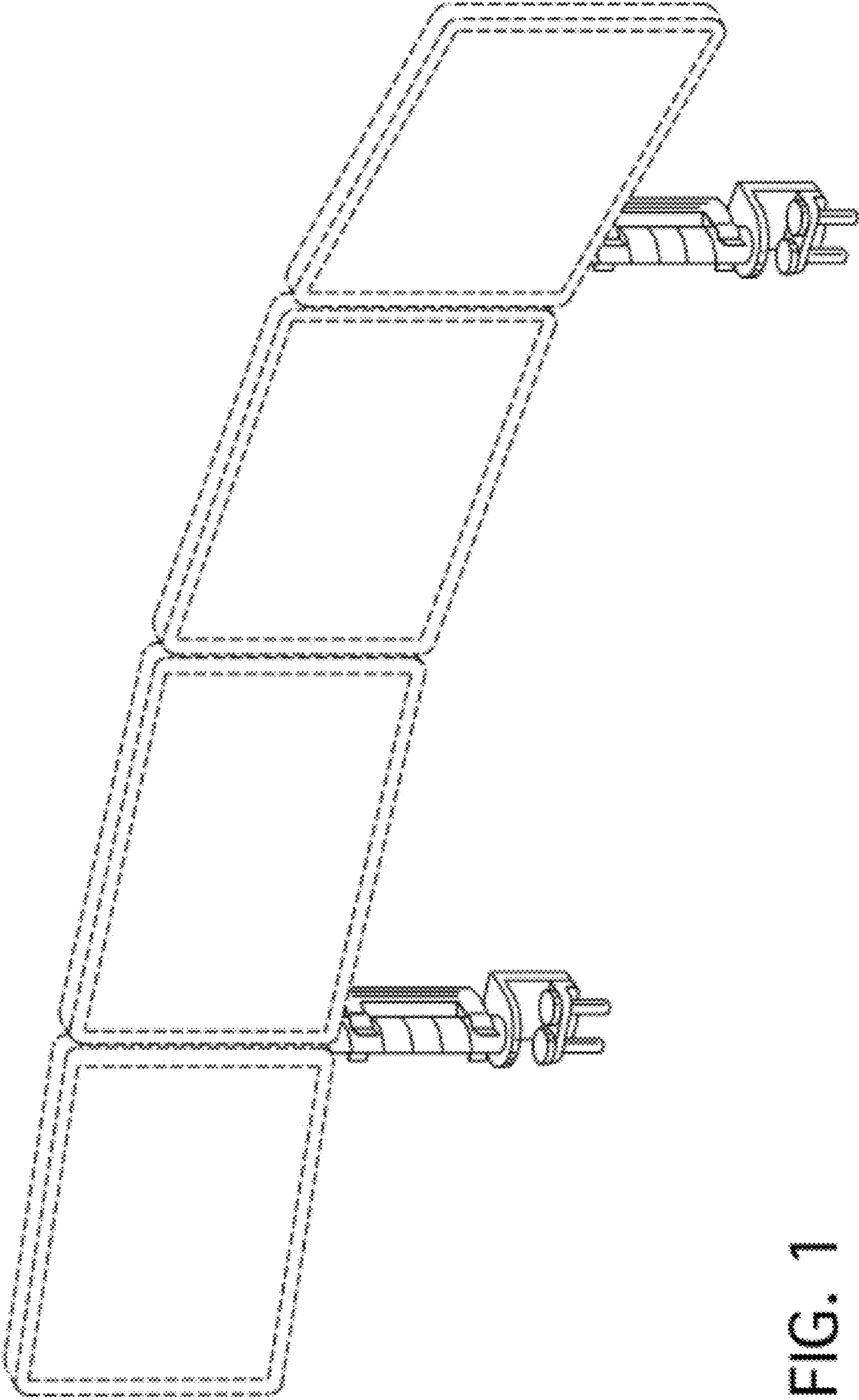


FIG. 1



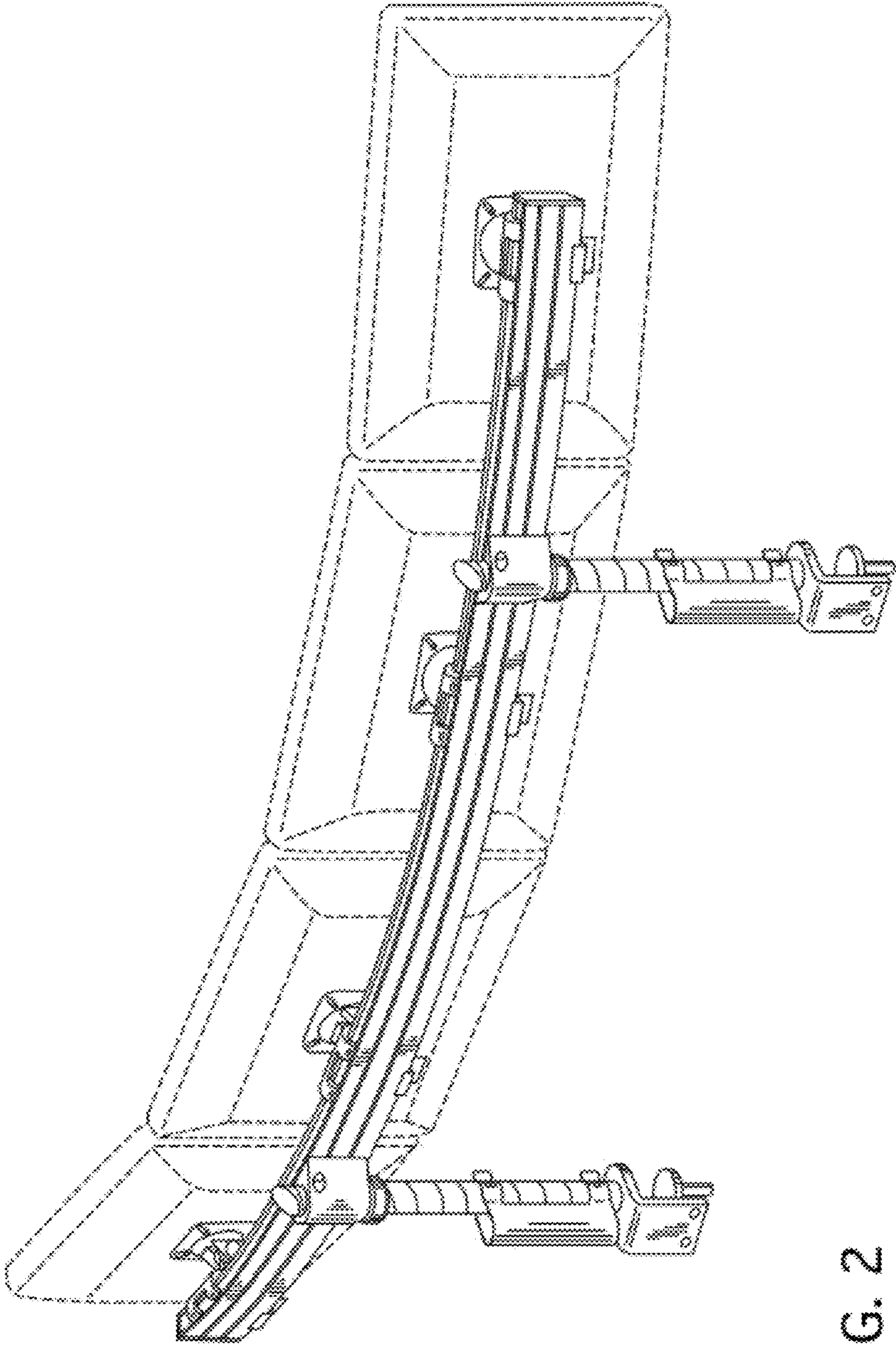


FIG. 2

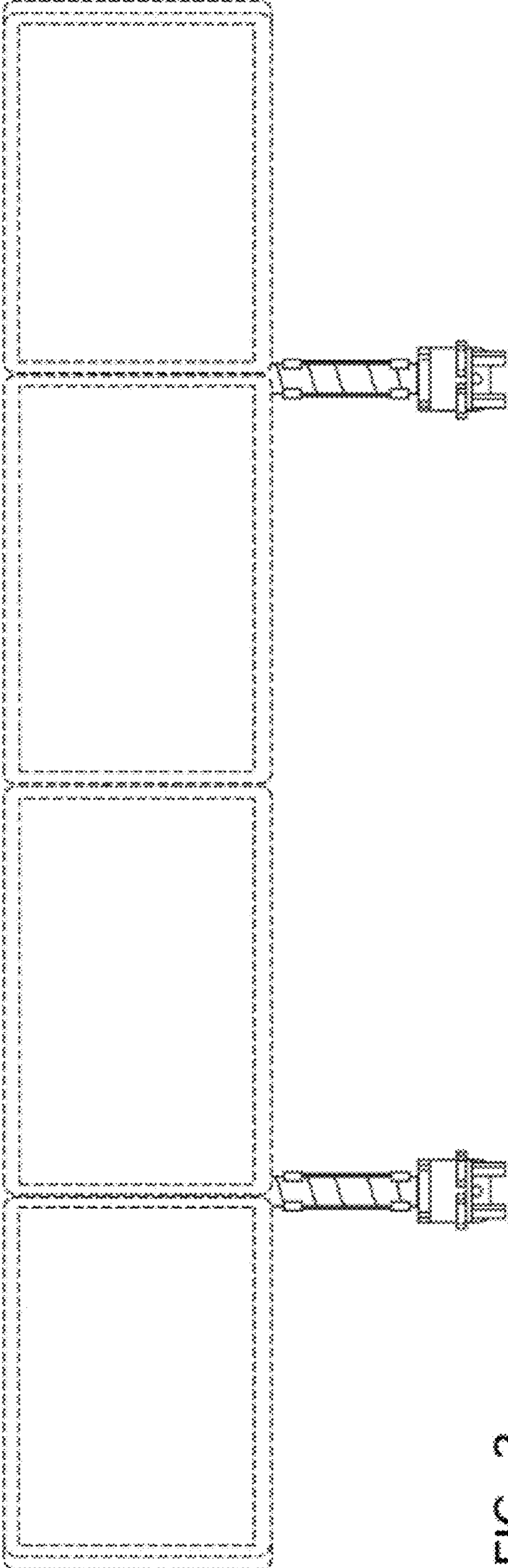


FIG. 3

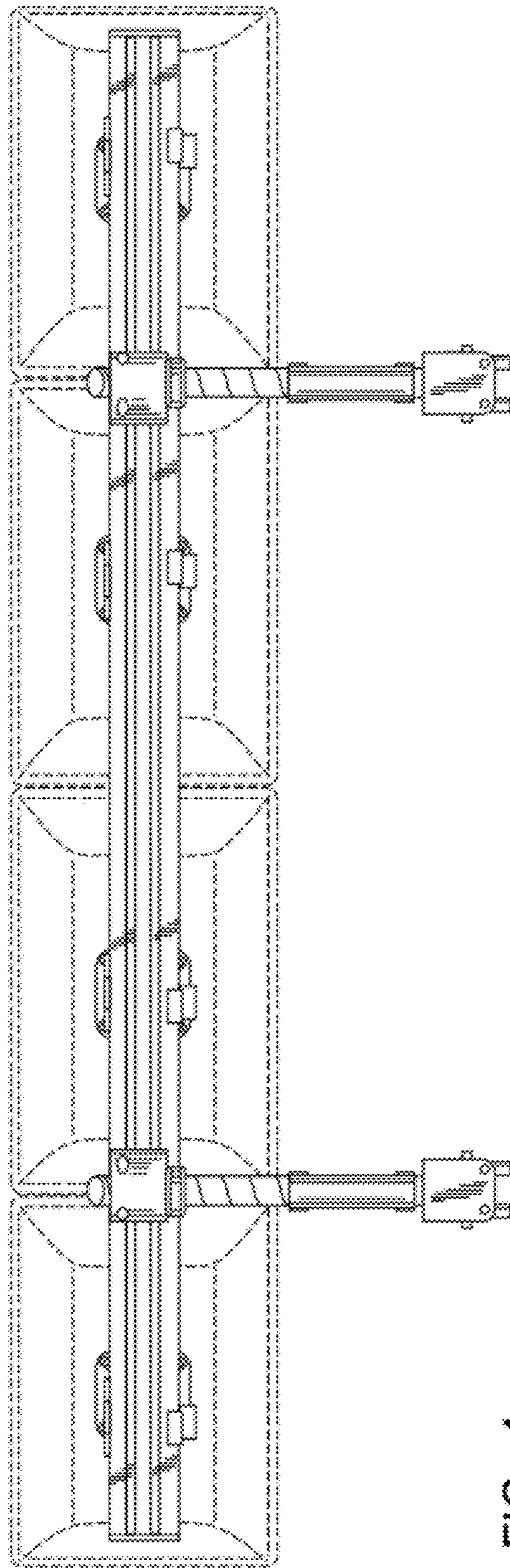


FIG. 4

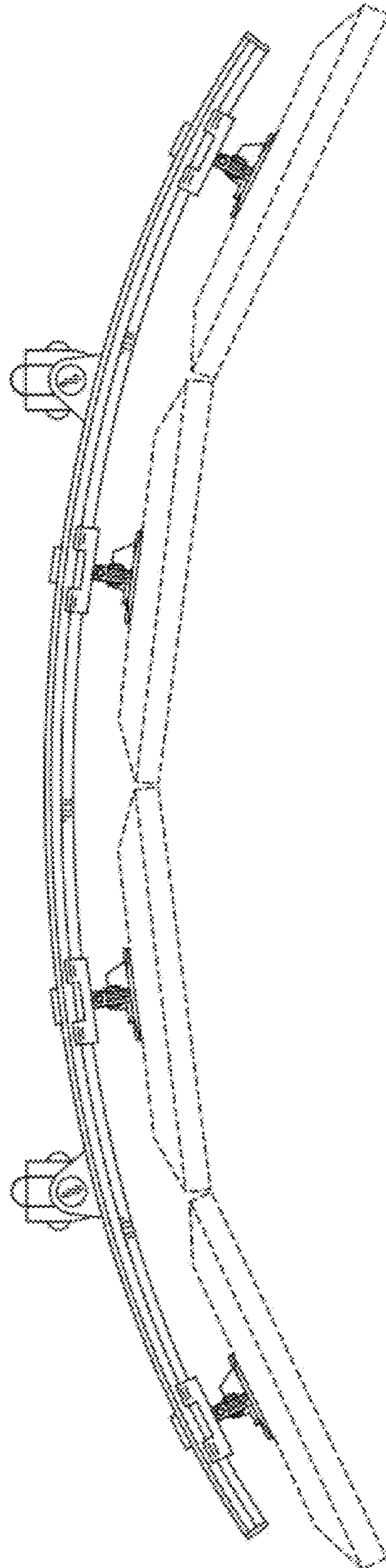


FIG. 5



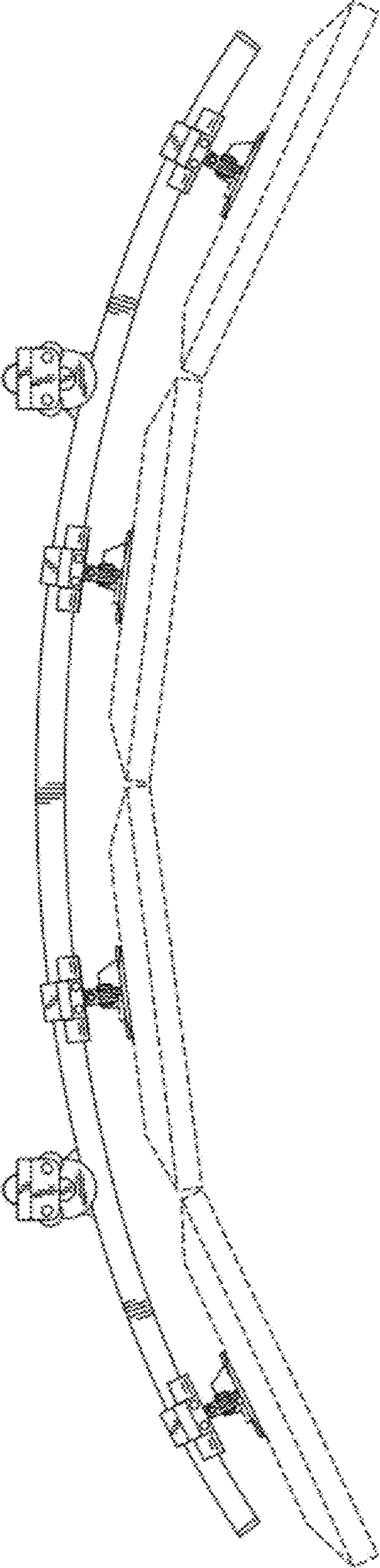


FIG. 6

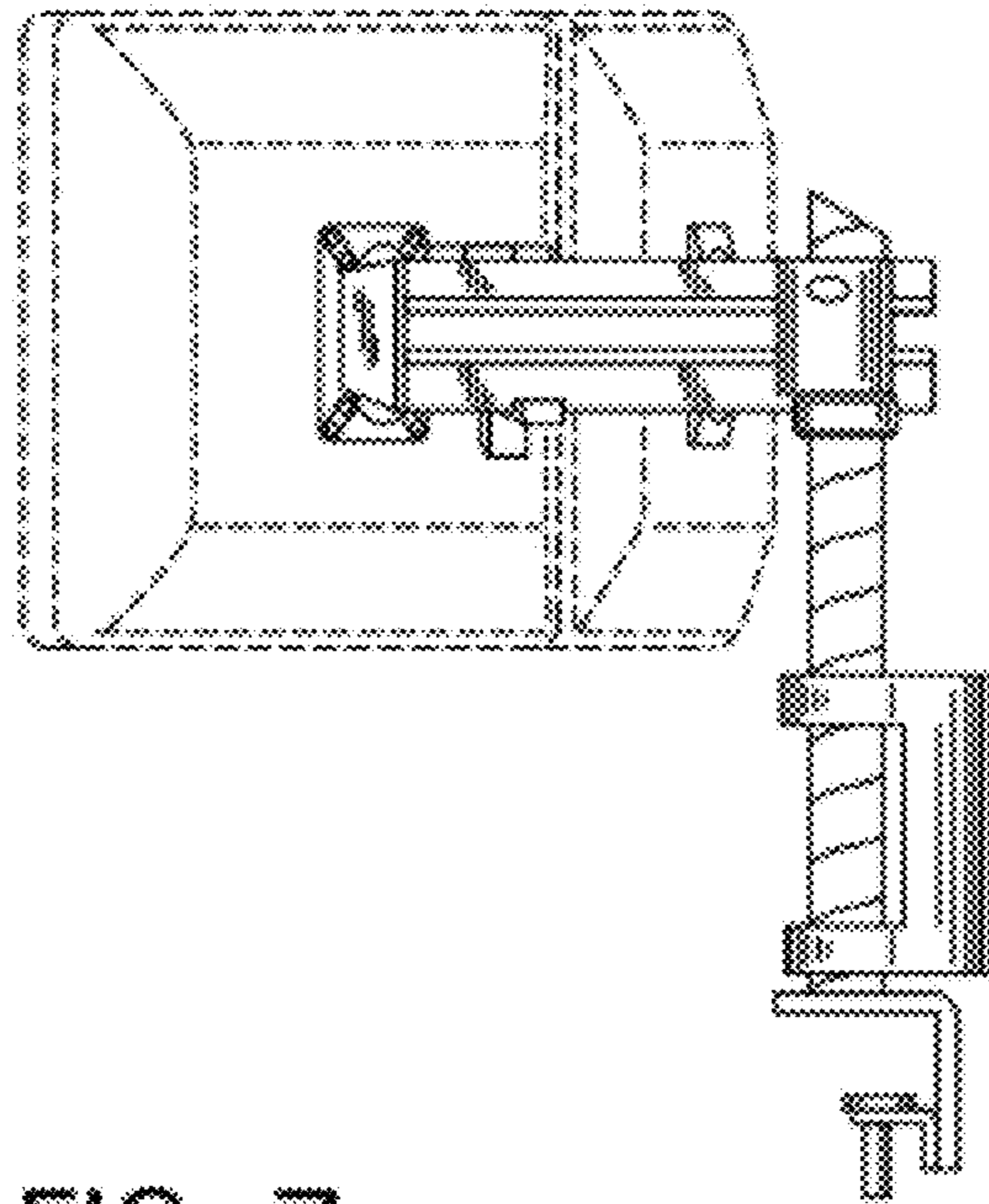


FIG. 7

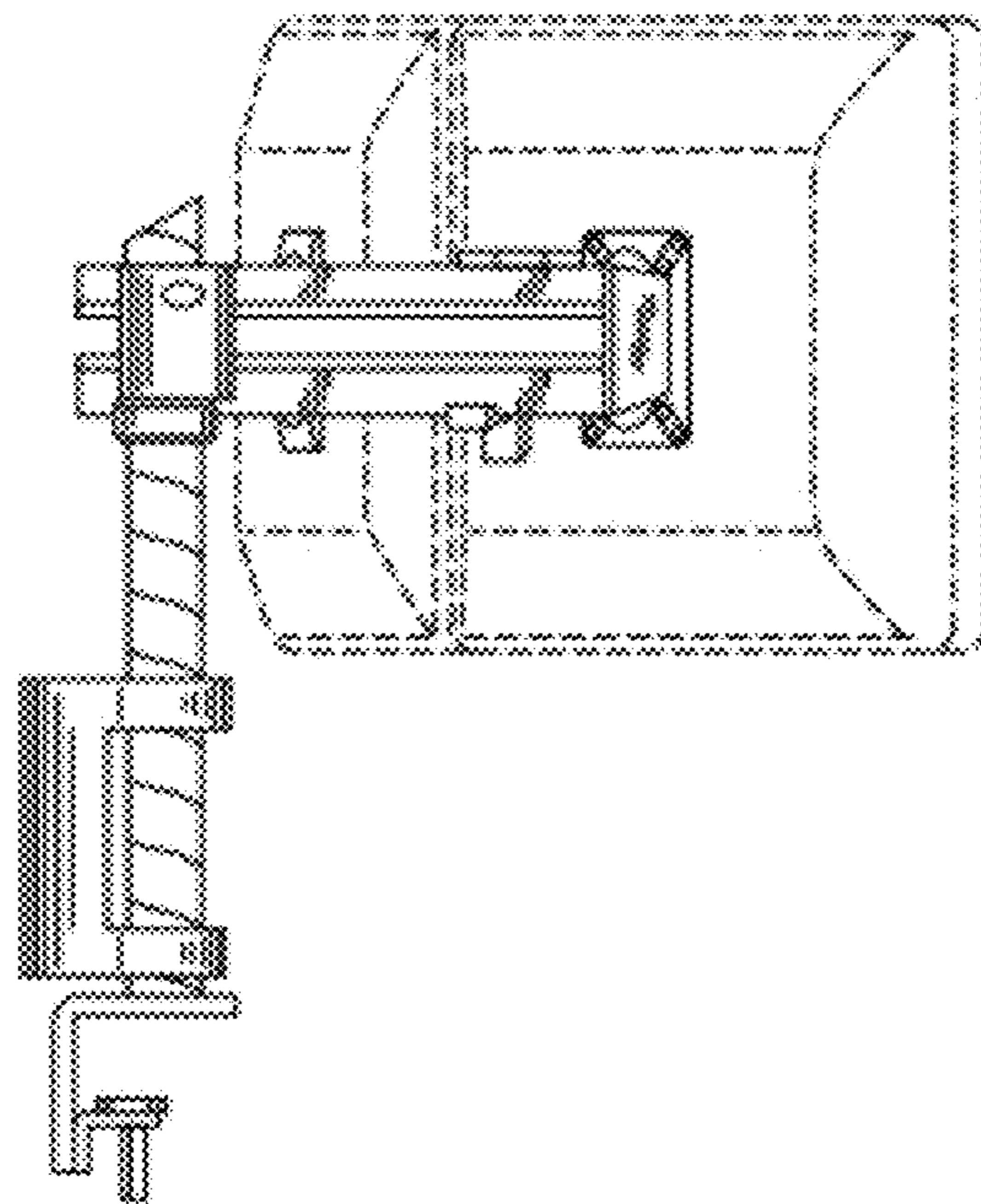


FIG. 8



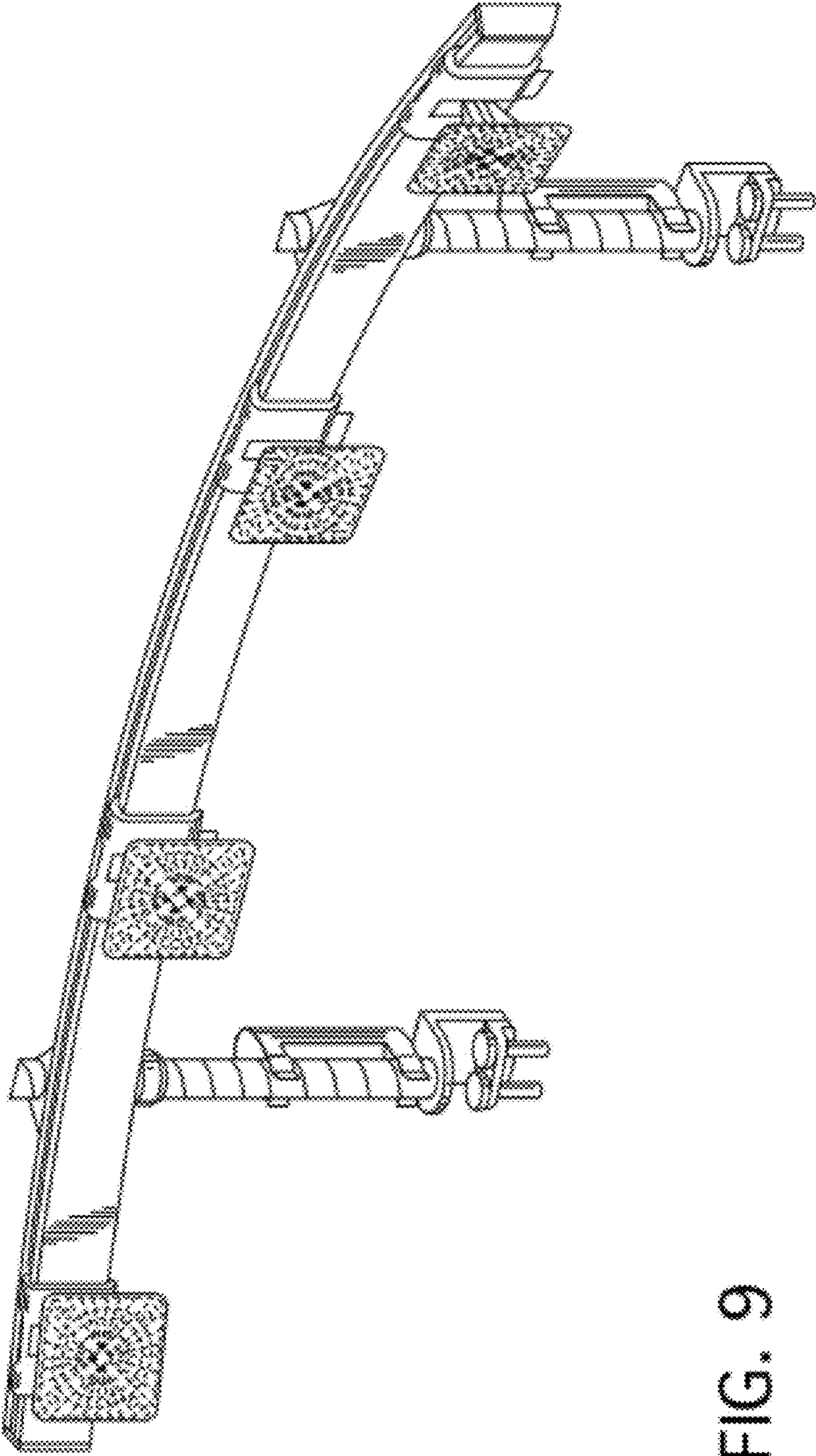


FIG. 9

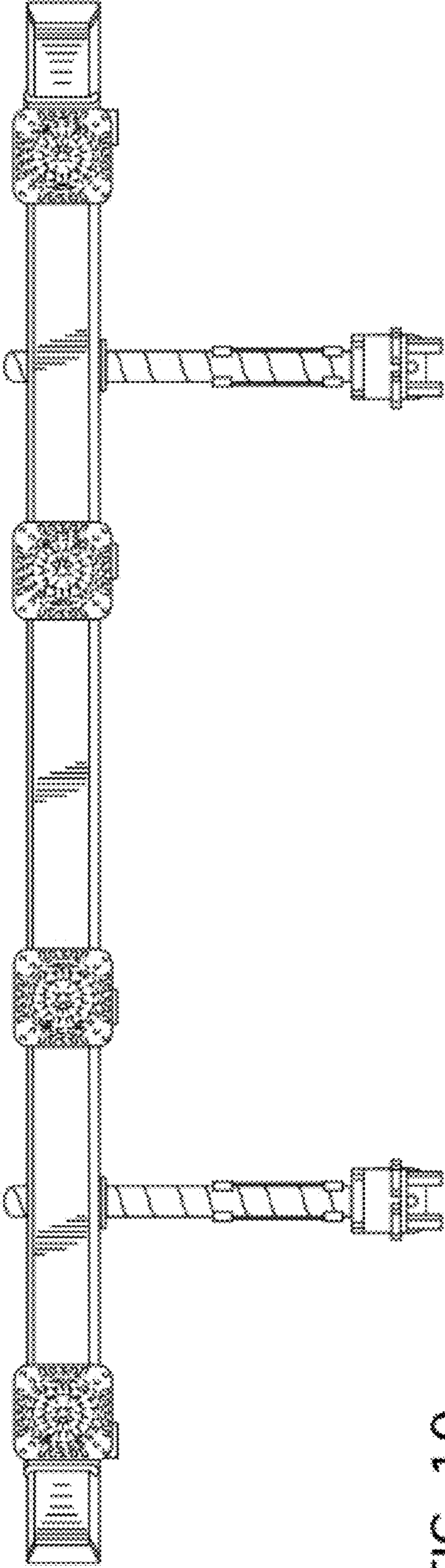


FIG. 10

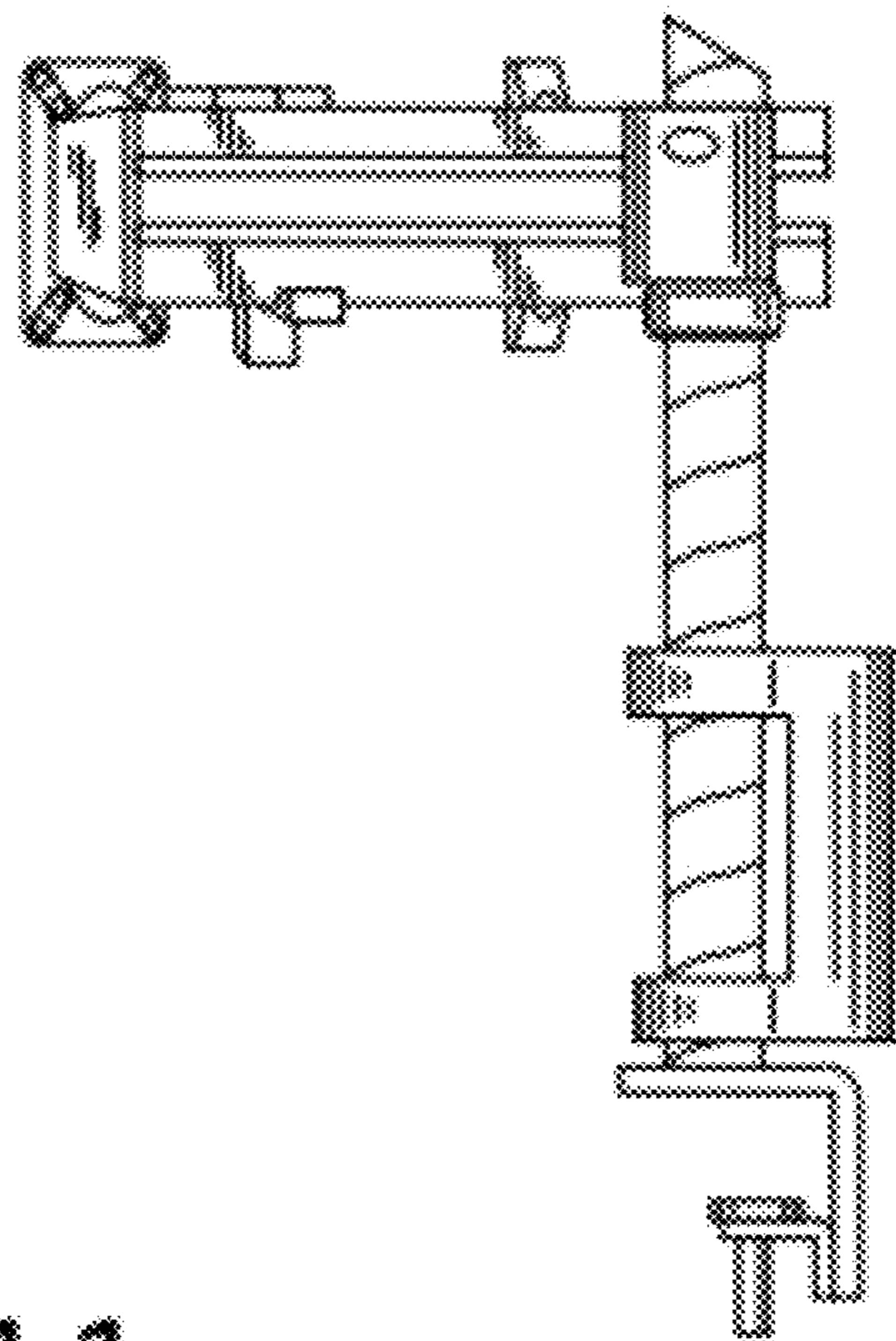


FIG. 11



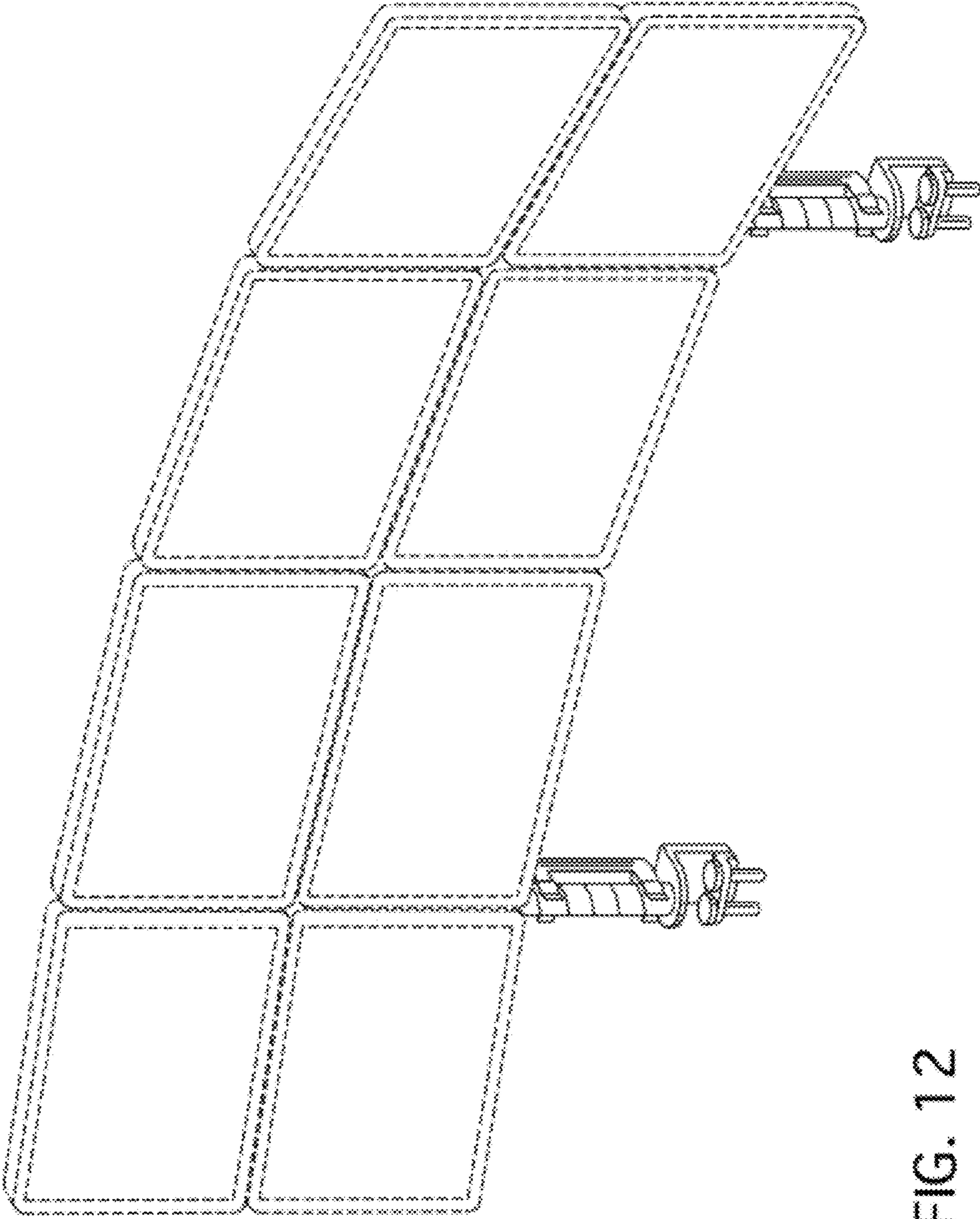


FIG. 12

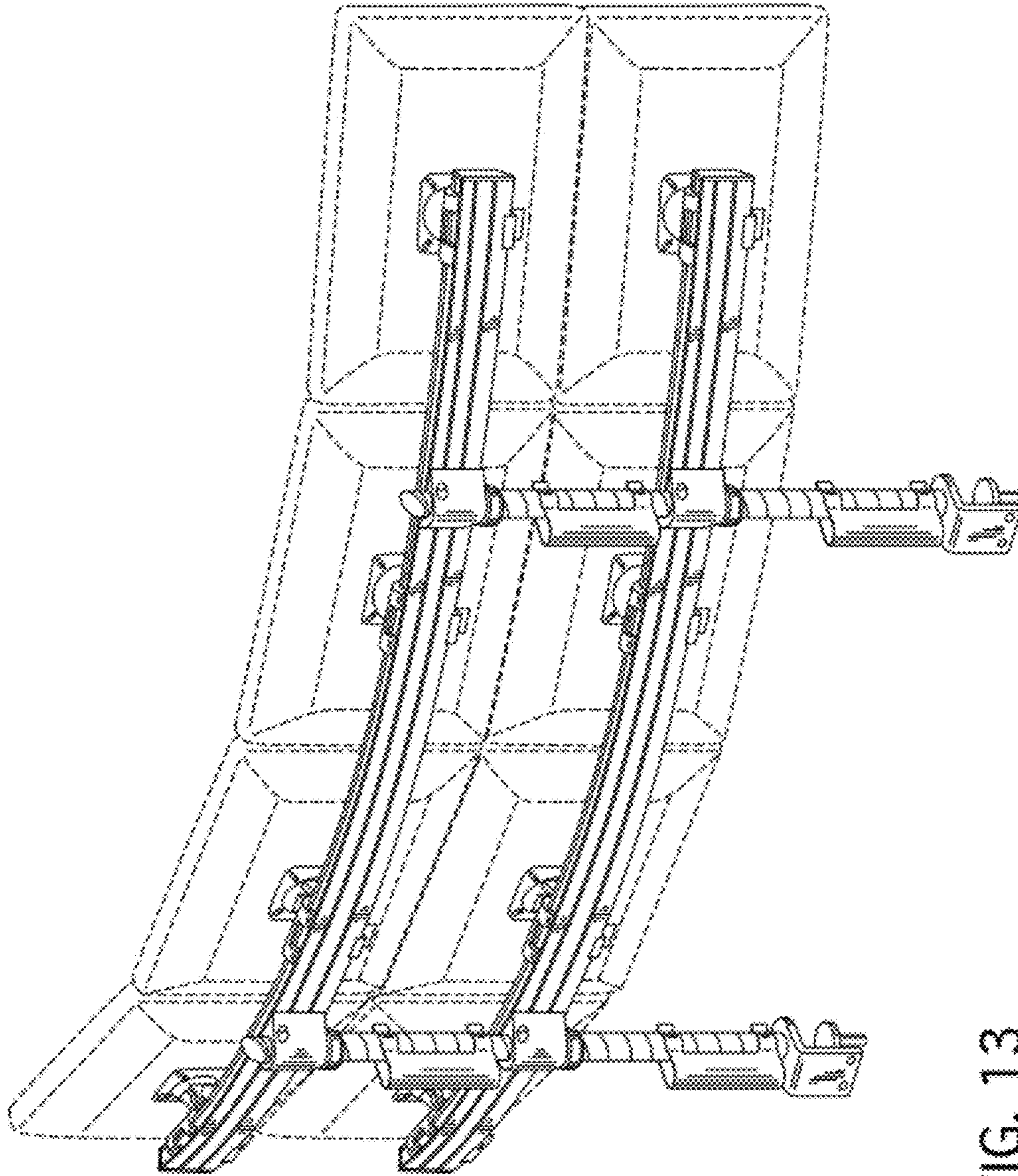


FIG. 13

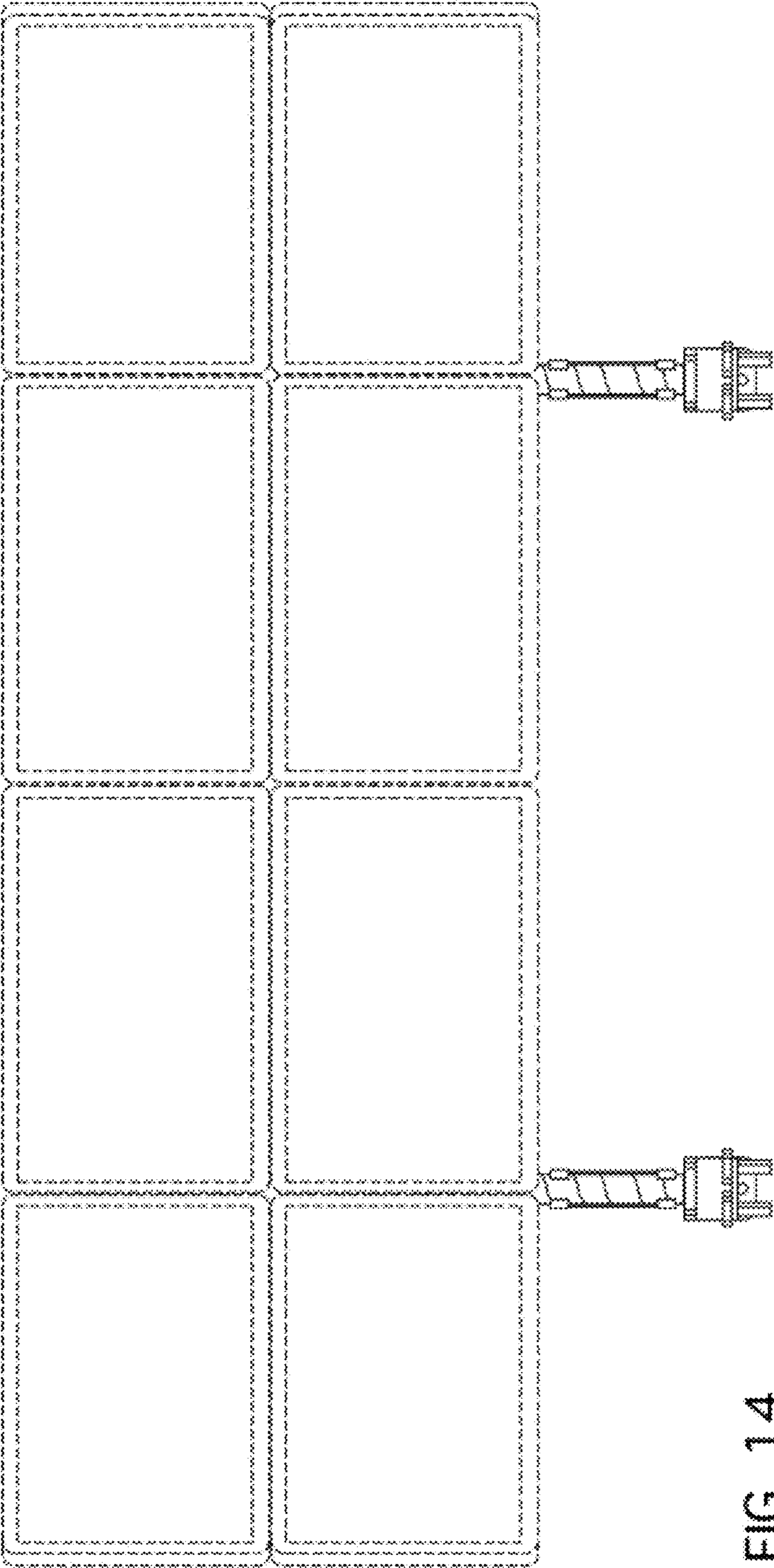


FIG. 14



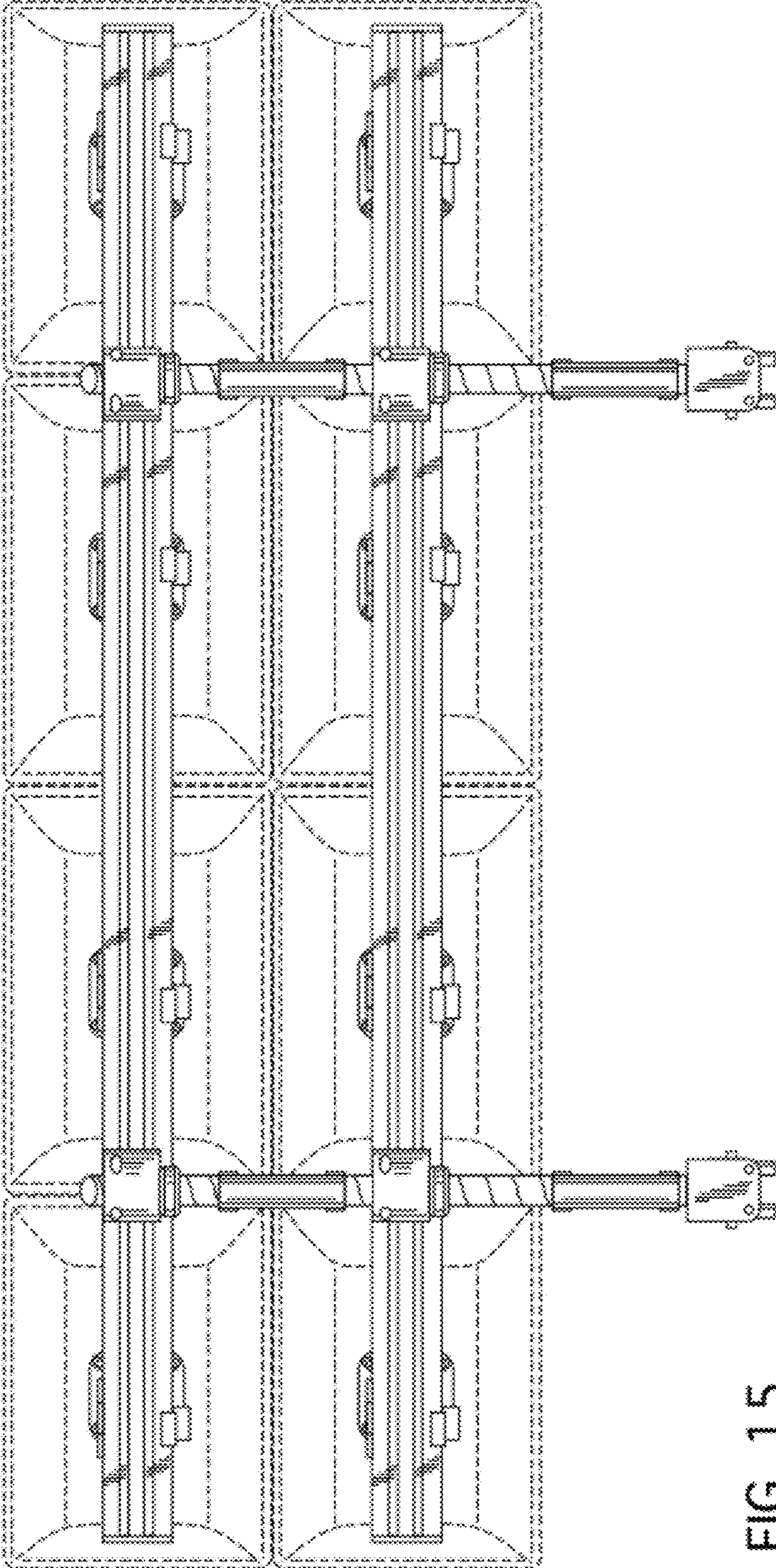


FIG. 15

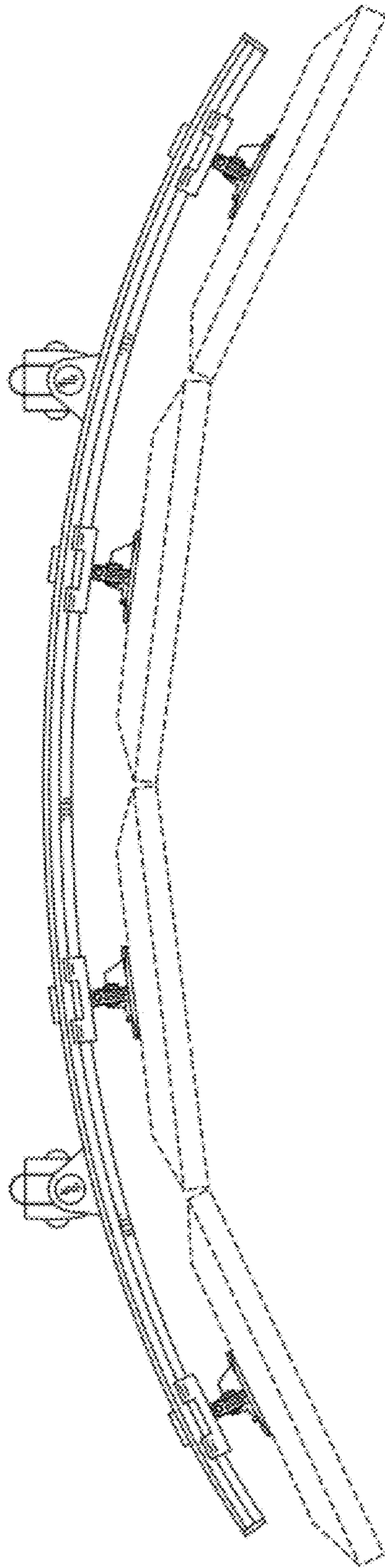


FIG. 16

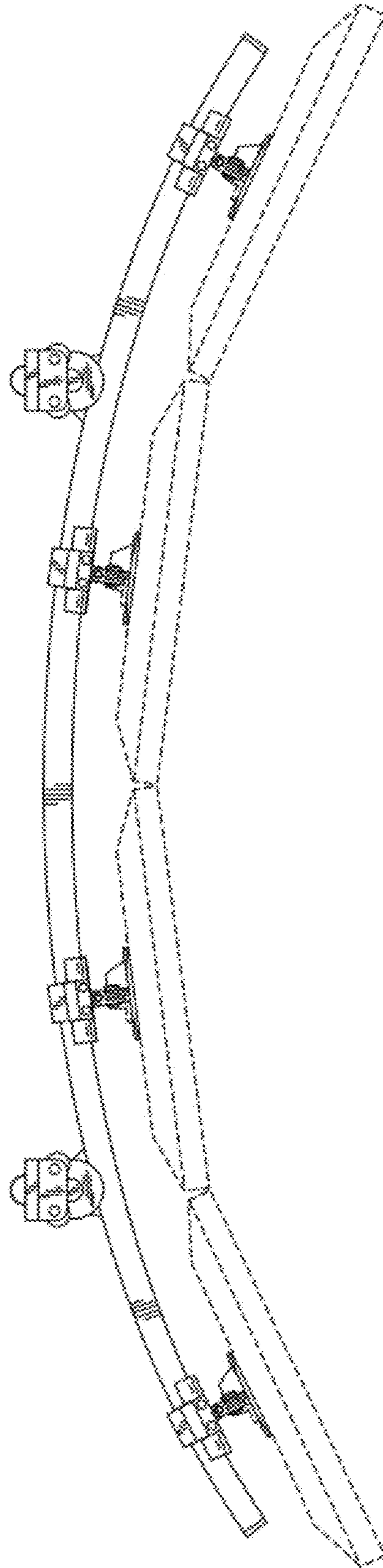


FIG. 17



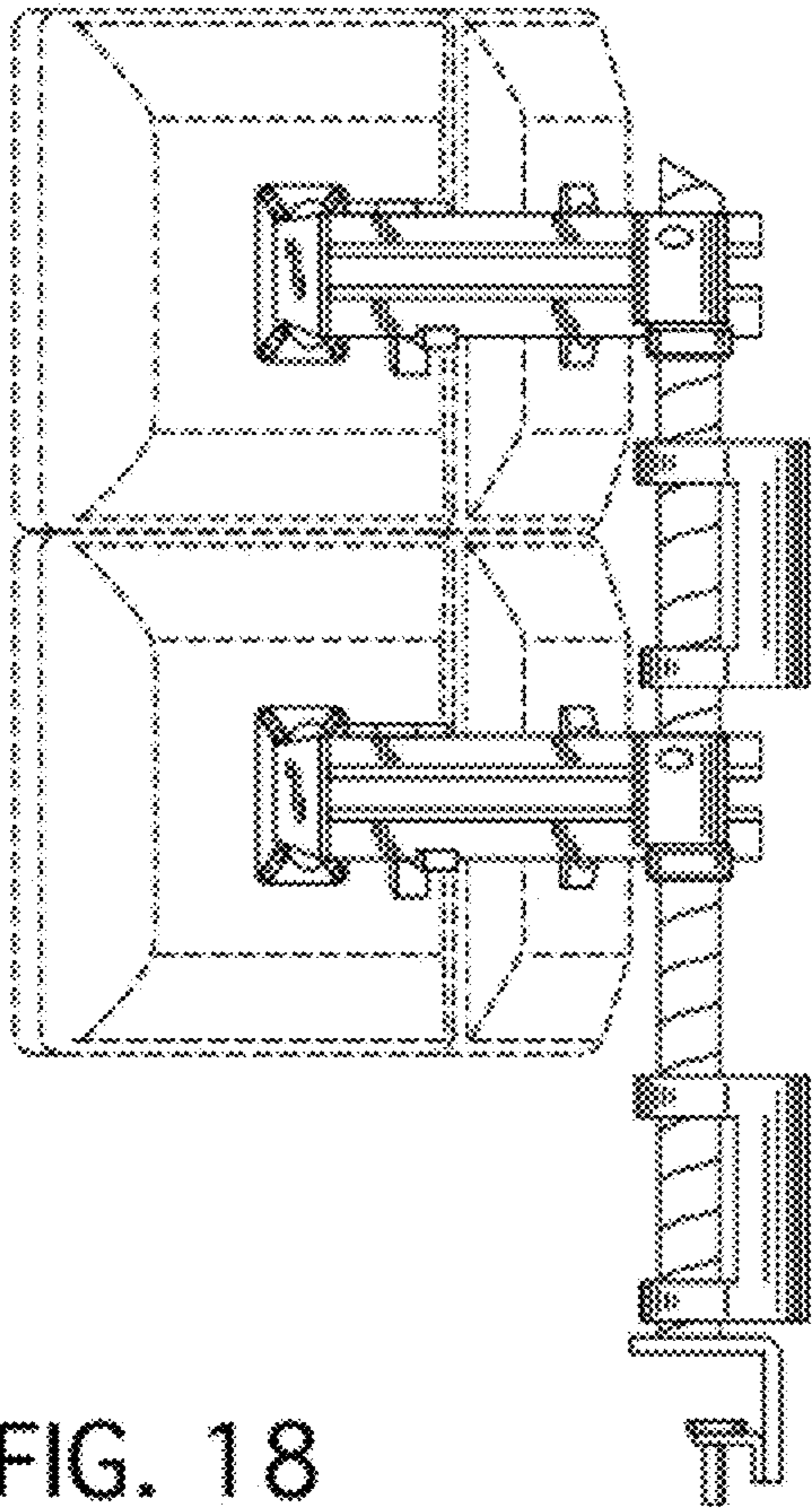


FIG. 18

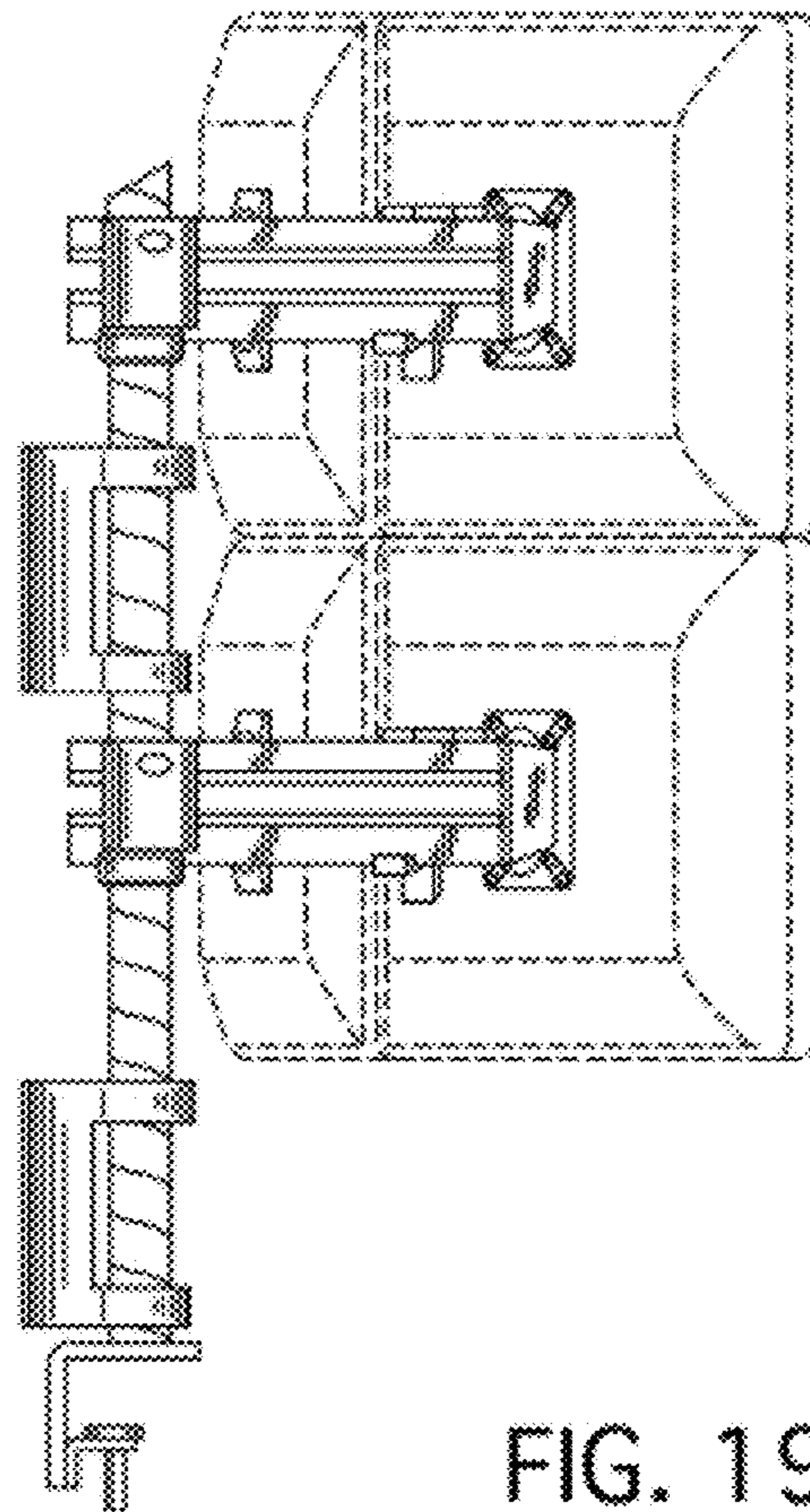


FIG. 19

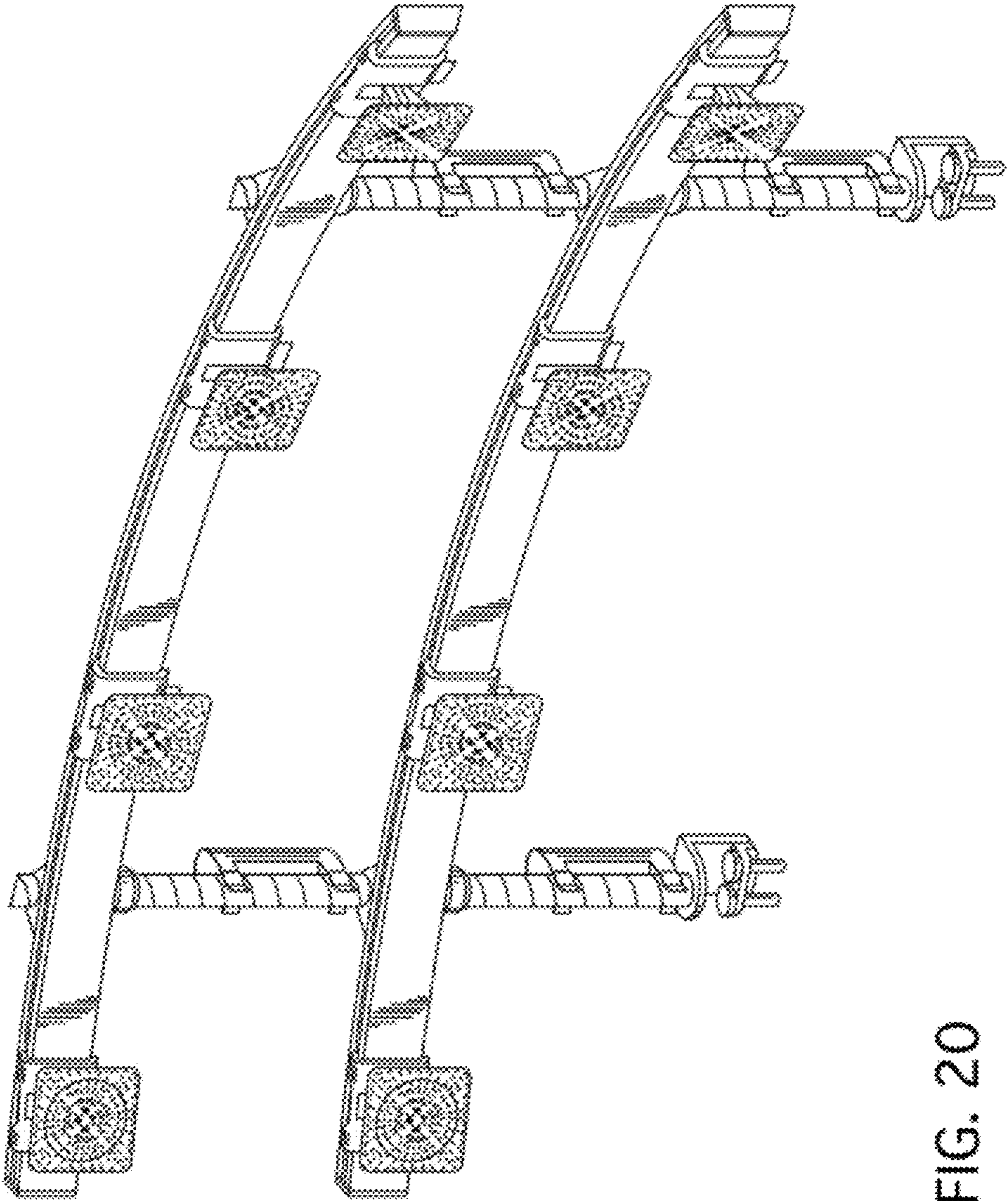


FIG. 20

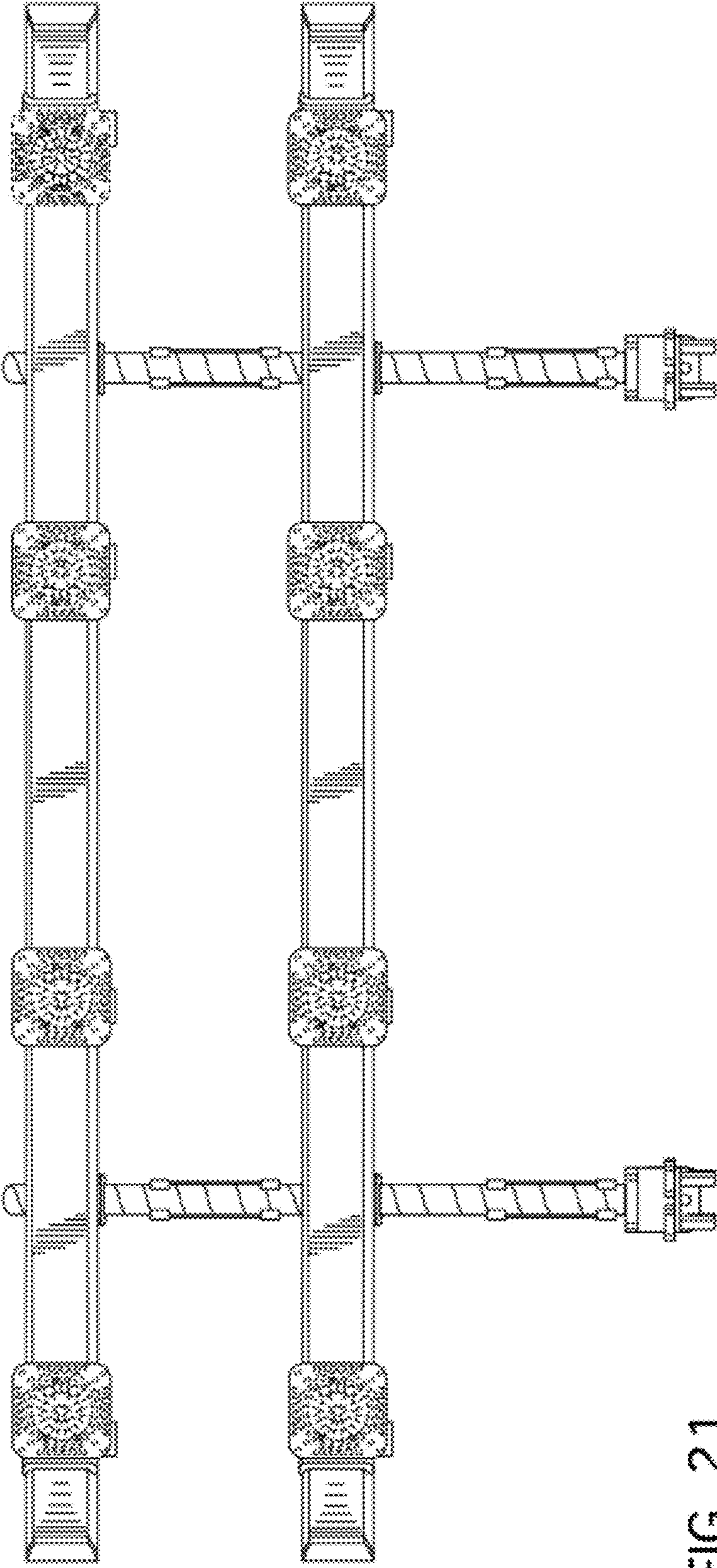


FIG. 21



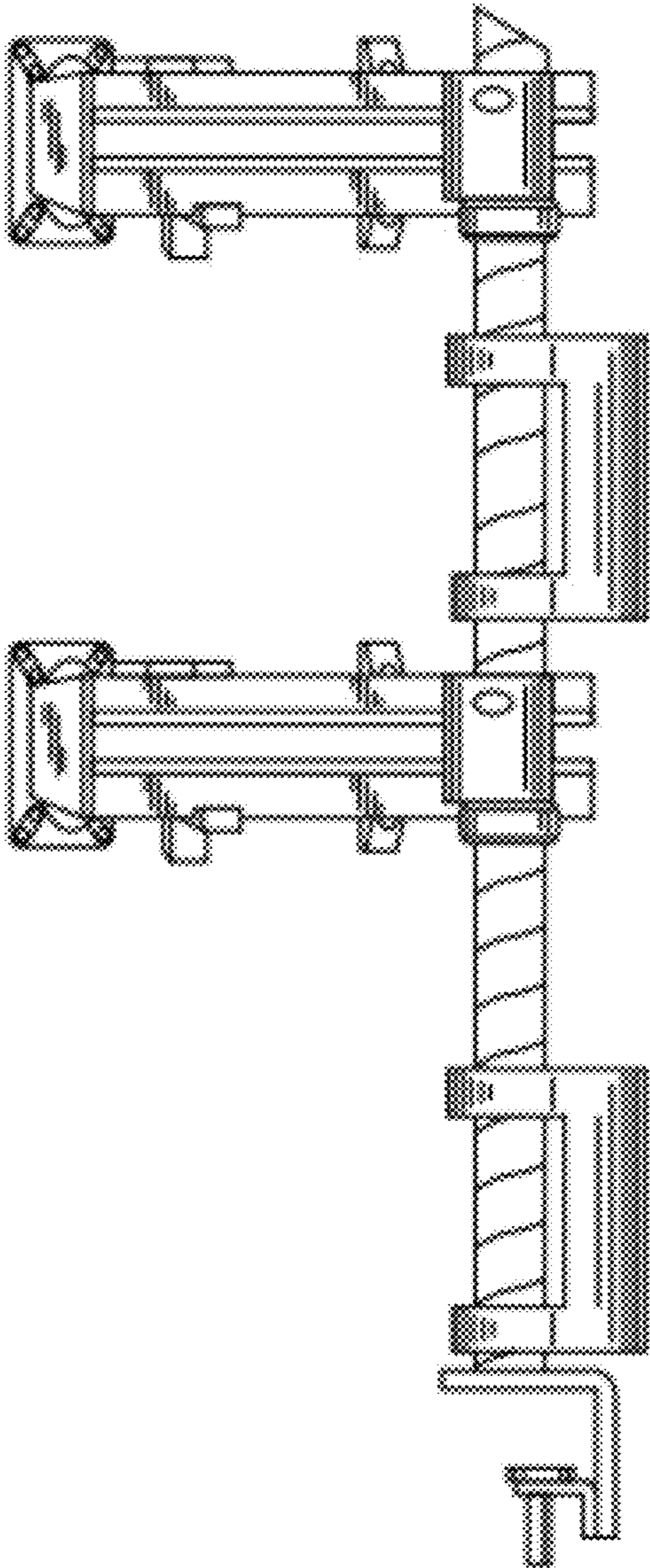


FIG. 22