



US00D663306S

(12) **United States Design Patent**
Barbieri

(10) **Patent No.:** **US D663,306 S**

(45) **Date of Patent:** **** Jul. 10, 2012**

(54) **EXTENSIBLE STAND**

(76) Inventor: **Alessio Barbieri**, Imola (IT)

(**) Term: **14 Years**

(21) Appl. No.: **29/373,119**

(22) Filed: **Mar. 2, 2011**

(51) **LOC (9) Cl.** **08-07**

(52) **U.S. Cl.** **D14/452**

(58) **Field of Classification Search** D14/448,
D14/451, 452, 457, 460, 461, 432, 439, 447,
D14/127, 239, 373, 374, 377; D8/349, 354,
D8/363, 373, 376, 380; 248/519, 534, 541,
248/58, 125.8, 127, 131, 133, 139, 176.1,
248/176.3, 188.5, 279.1, 333, 917, 918, 919,
248/920, 921, 922, 923, 924; 361/679.02,
361/679.04, 679.05, 679.06, 679.07, 679.09,
361/679.21, 679.22, 679.26, 679.3; 379/454,
379/455; 312/223.3; 348/825

See application file for complete search history.

(56) **References Cited**

U.S. PATENT DOCUMENTS

D485,742 S * 1/2004 Heberle D8/354
6,708,940 B2 * 3/2004 Ligertwood 248/324

7,320,454 B2 * 1/2008 Lee et al. 248/343
D563,700 S * 3/2008 Walters et al. D6/513
D567,629 S * 4/2008 Kennedy D8/349
D568,324 S * 5/2008 Stenhouse et al. D14/451
D581,914 S * 12/2008 Bures et al. D14/239
D591,756 S * 5/2009 Wohlford et al. D14/452
7,575,215 B1 * 8/2009 Clark et al. 248/519
D629,405 S * 12/2010 Crysell D14/447
2007/0228234 A1 * 10/2007 Doyle 248/188.5
2008/0011927 A1 * 1/2008 Park 248/324
2008/0128574 A1 * 6/2008 Walters et al. 248/324

* cited by examiner

Primary Examiner — Angela J Lee

(74) *Attorney, Agent, or Firm* — Lowe Hauptman Ham & Berner, LLP

(57) **CLAIM**

The ornamental design for an extensible stand, as shown.

DESCRIPTION

FIG. 1 is a perspective view of an extensible stand showing my design.

FIG. 2 is a front view thereof.

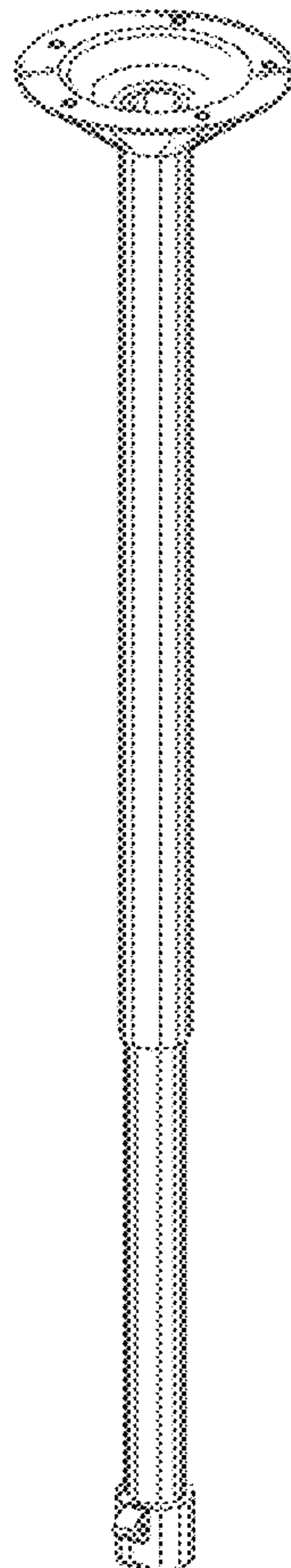
FIG. 3 is a back view thereof.

FIG. 4 is a side view thereof.

FIG. 5 is a bottom view thereof; and,

FIG. 6 is a top view thereof.

1 Claim, 6 Drawing Sheets



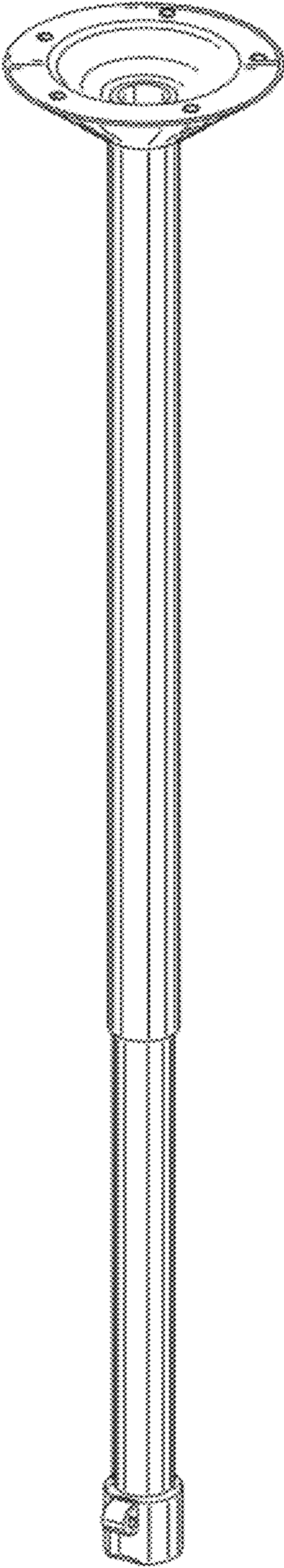


FIG. 1

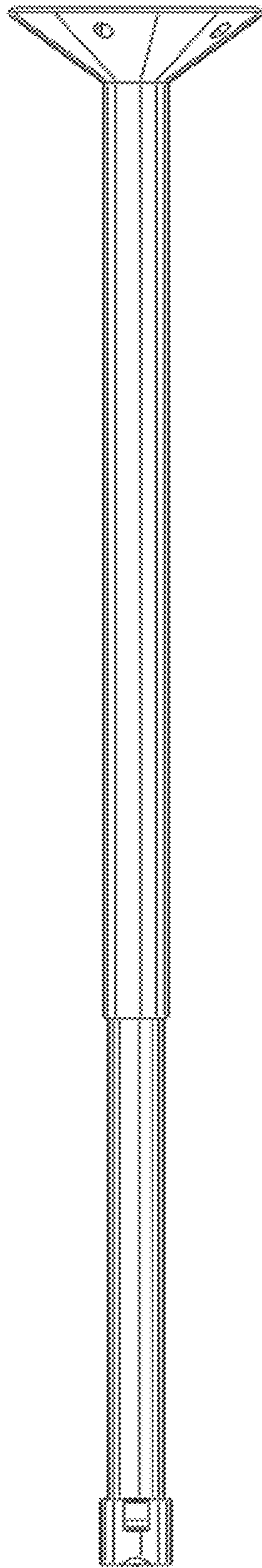


FIG. 2

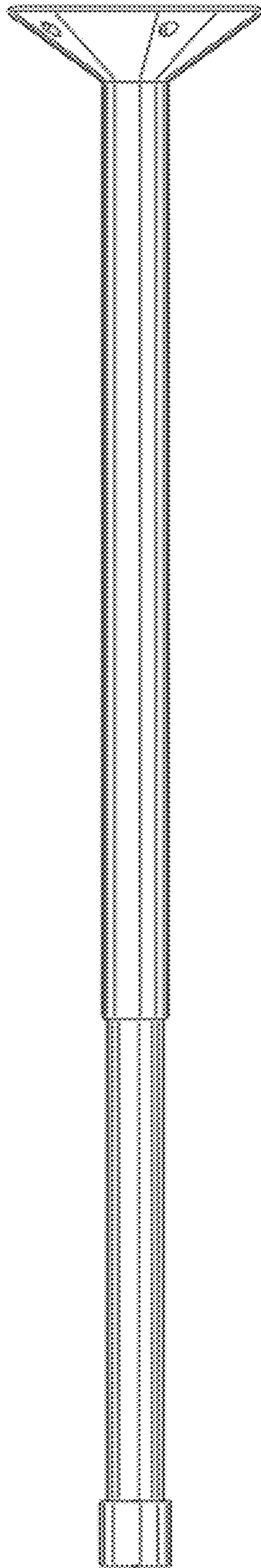


FIG. 3

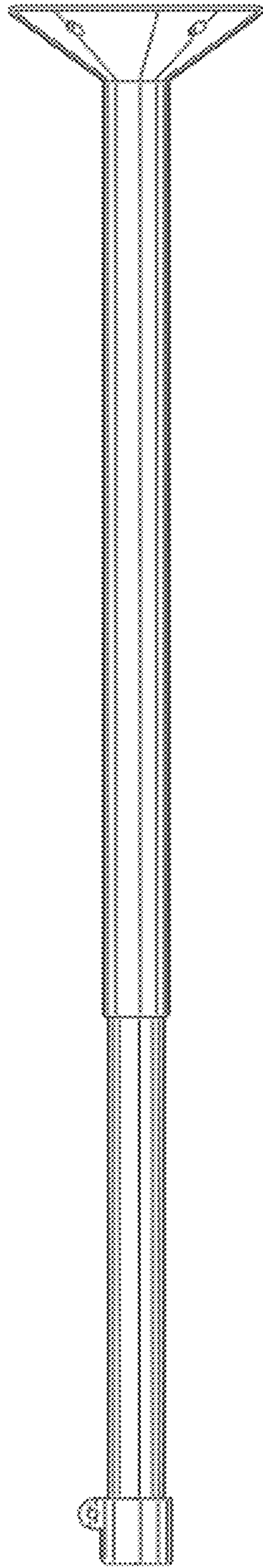


FIG. 4

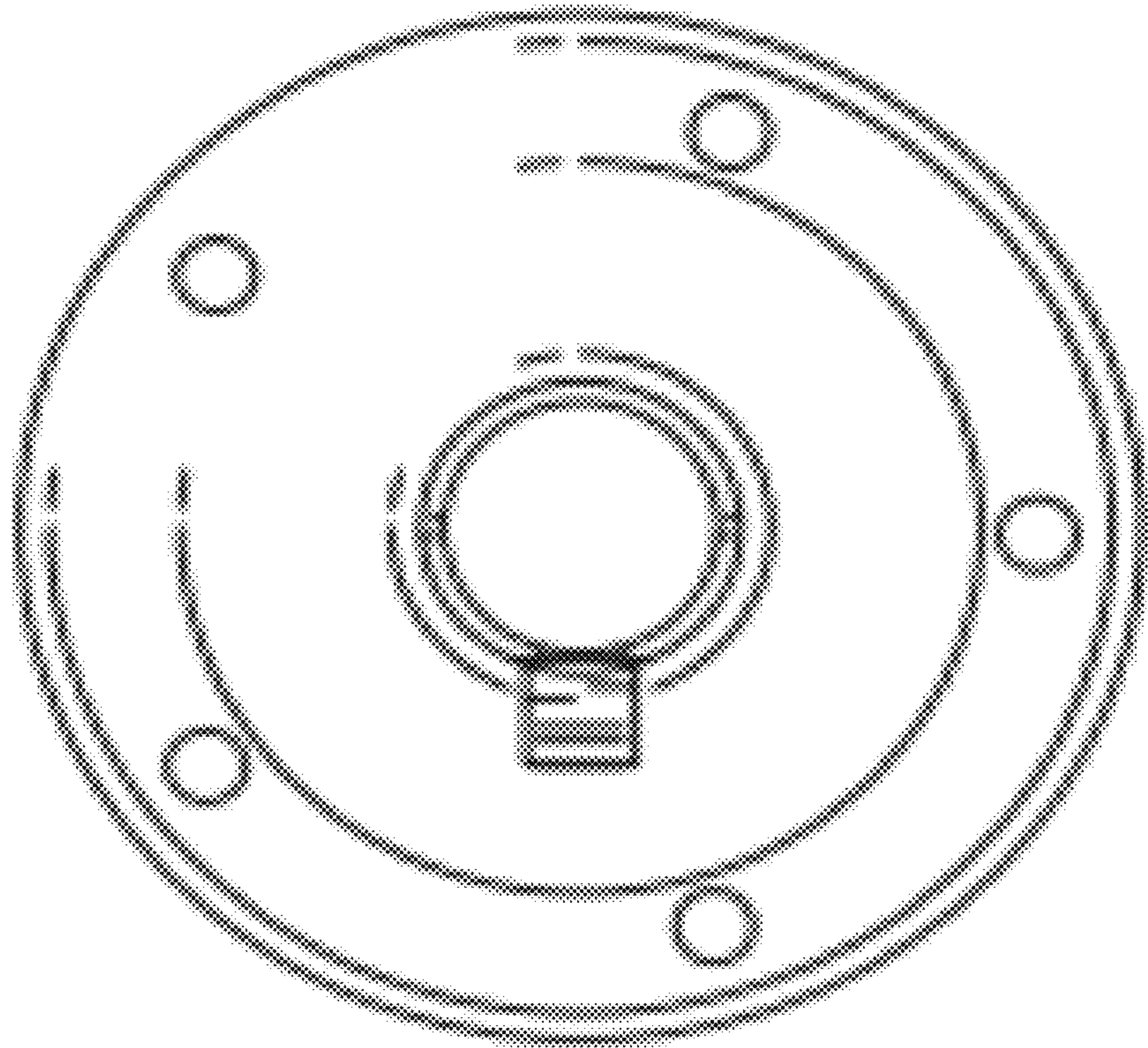


FIG. 5

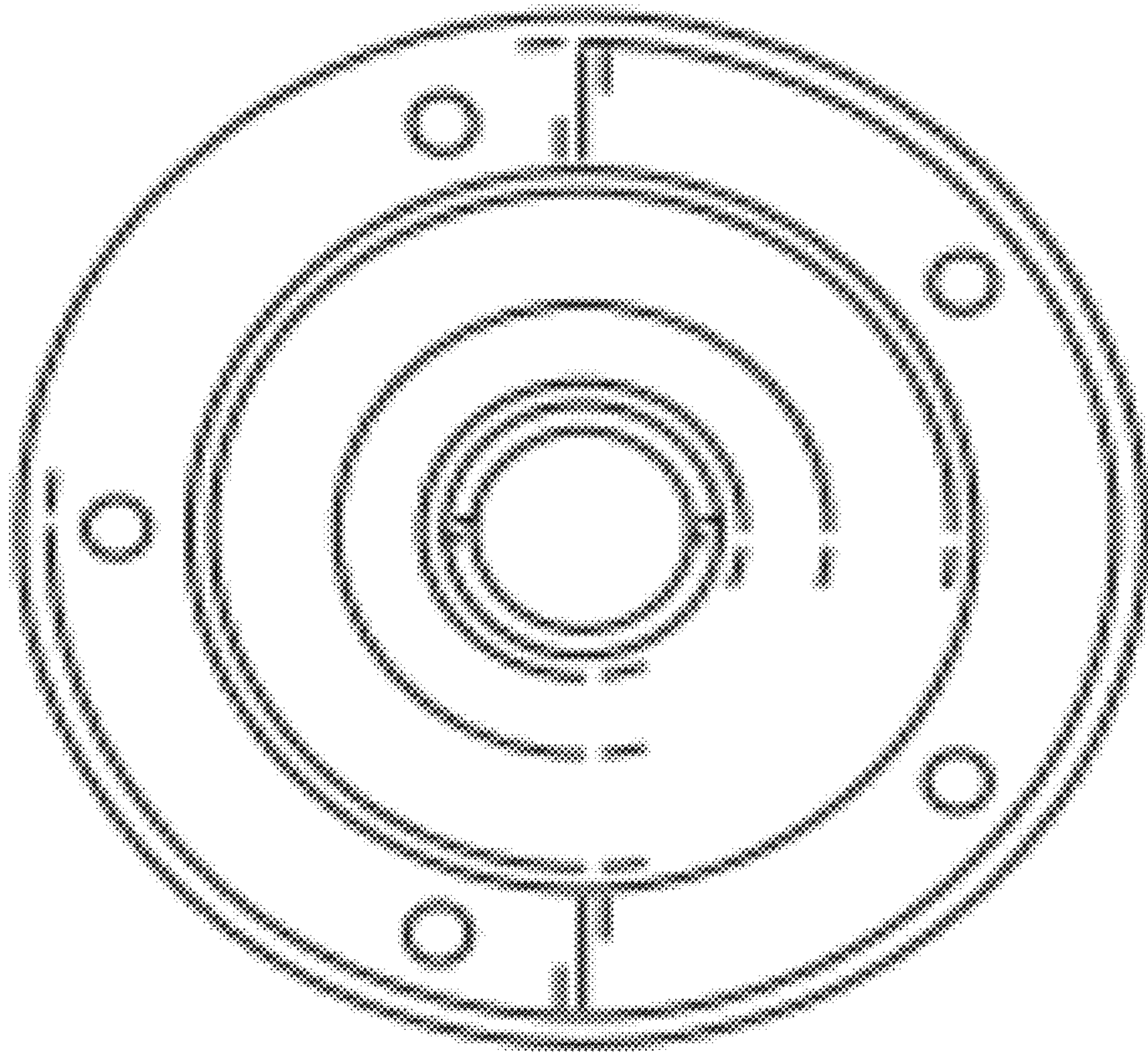


FIG. 6

UNITED STATES PATENT AND TRADEMARK OFFICE
CERTIFICATE OF CORRECTION

PATENT NO. : D663,306 S
APPLICATION NO. : 29/373119
DATED : July 10, 2012
INVENTOR(S) : Alessio Barberi

Page 1 of 8

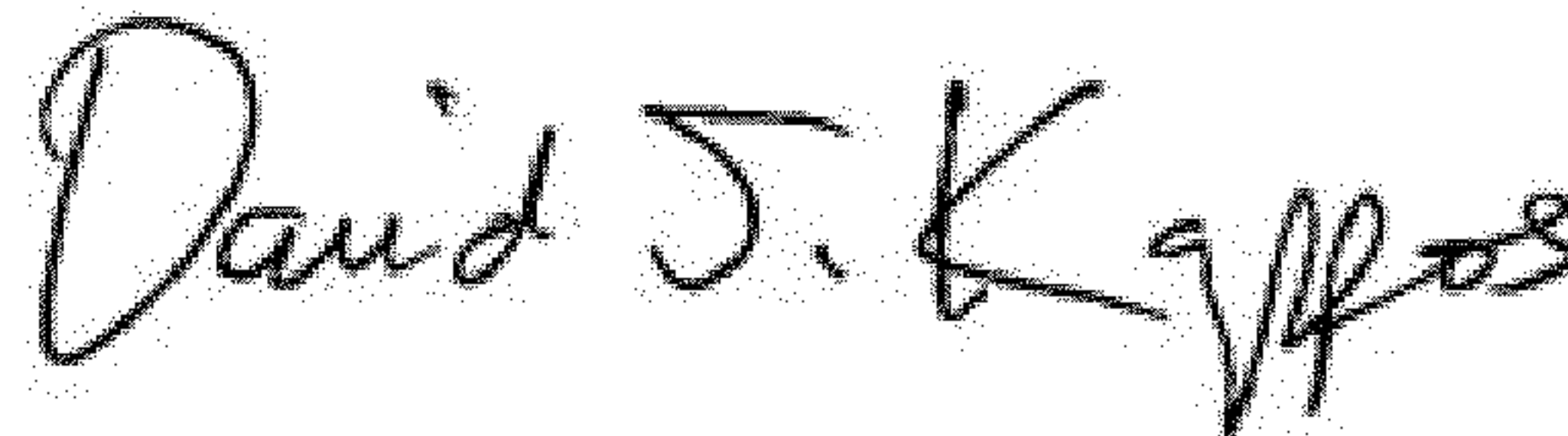
It is certified that error appears in the above-identified patent and that said Letters Patent is hereby corrected as shown below:

The title page should be deleted and substitute therefor the attached title page.

Drawings:

Delete drawing sheets 1-6 and substitute therefor the drawing sheets, consisting of Figs. 1-6 as shown on the attached pages.

Signed and Sealed this
Sixth Day of November, 2012

A handwritten signature in black ink that reads "David J. Kappos". The signature is written in a cursive, slightly slanted style.

David J. Kappos
Director of the United States Patent and Trademark Office

(12) **United States Design Patent**
Barbieri

(10) **Patent No.:** **US D663,306 S**
(45) **Date of Patent:** **** Jul. 10, 2012**

(54) **EXTENSIBLE STAND**

(76) **Inventor:** **Alessio Barbieri, Imola (IT)**

(**) **Term:** **14 Years**

(21) **Appl. No.:** **29/373,119**

(22) **Filed:** **Mar. 2, 2011**

(51) **LOC (9) Cl.** **08-07**

(52) **U.S. Cl.** **D14/452**

(58) **Field of Classification Search** D14/448,
D14/451, 452, 457, 460, 461, 432, 439, 447,
D14/127, 239, 373, 374, 377; D8/349, 354,
D8/363, 373, 376, 380; 248/519, 534, 541,
248/58, 125.8, 127, 131, 133, 139, 176.1,
248/176.3, 188.5, 279.1, 333, 917, 918, 919,
248/920, 921, 922, 923, 924; 361/679.02,
361/679.04, 679.05, 679.06, 679.07, 679.09,
361/679.21, 679.22, 679.26, 679.3; 379/454,
379/455; 312/223.3; 348/825

See application file for complete search history.

(56) **References Cited**

U.S. PATENT DOCUMENTS

D485,742 S * 1/2004 Heberle D8/354
6,708,940 B2 * 3/2004 Ligertwood 248/324

7,320,454 B2 * 1/2008 Lee et al. 248/343
D563,700 S * 3/2008 Walters et al. D6/513
D567,629 S * 4/2008 Kennedy D8/349
D568,324 S * 5/2008 Stenhouse et al. D14/451
D581,914 S * 12/2008 Bures et al. D14/239
D591,756 S * 5/2009 Wohlford et al. D14/452
7,575,215 B1 * 8/2009 Clark et al. 248/519
D629,405 S * 12/2010 Crysell D14/447
2007/0228234 A1 * 10/2007 Doyle 248/188.5
2008/0011927 A1 * 1/2008 Park 248/324
2008/0128574 A1 * 6/2008 Walters et al. 248/324

* cited by examiner

Primary Examiner — Angela J Lee

(74) *Attorney, Agent, or Firm* — Lowe Hauptman Ham & Berner, LLP

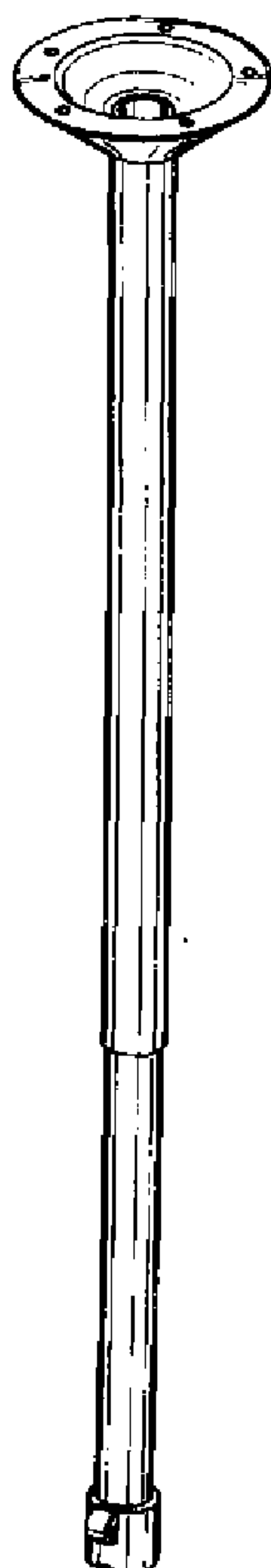
(57) **CLAIM**

The ornamental design for an extensible stand, as shown.

DESCRIPTION

FIG. 1 is a perspective view of an extensible stand showing my design.
FIG. 2 is a front view thereof.
FIG. 3 is a back view thereof.
FIG. 4 is a side view thereof.
FIG. 5 is a bottom view thereof; and,
FIG. 6 is a top view thereof.

1 Claim, 6 Drawing Sheets



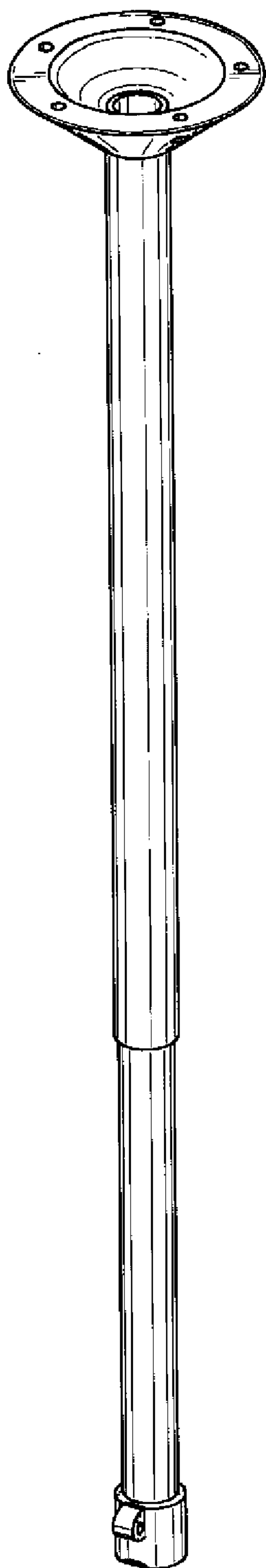


FIG. 1

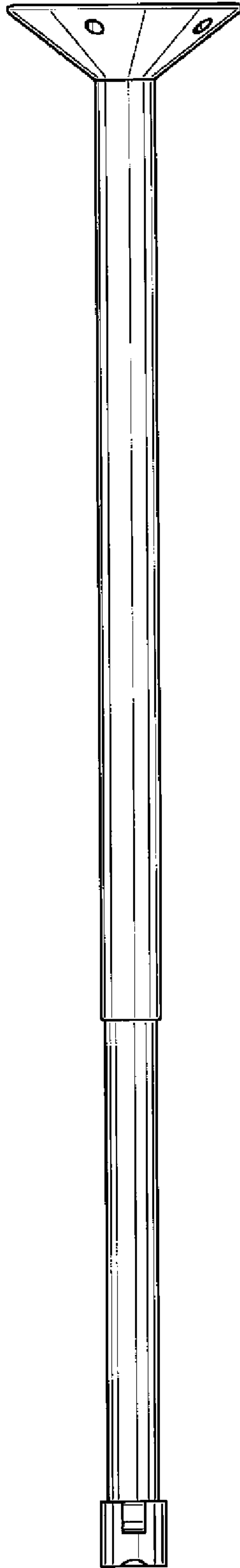


FIG. 2

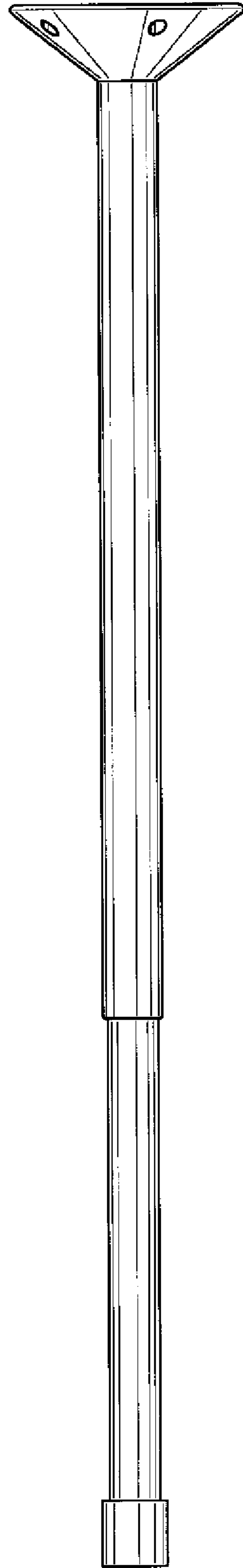


FIG. 3

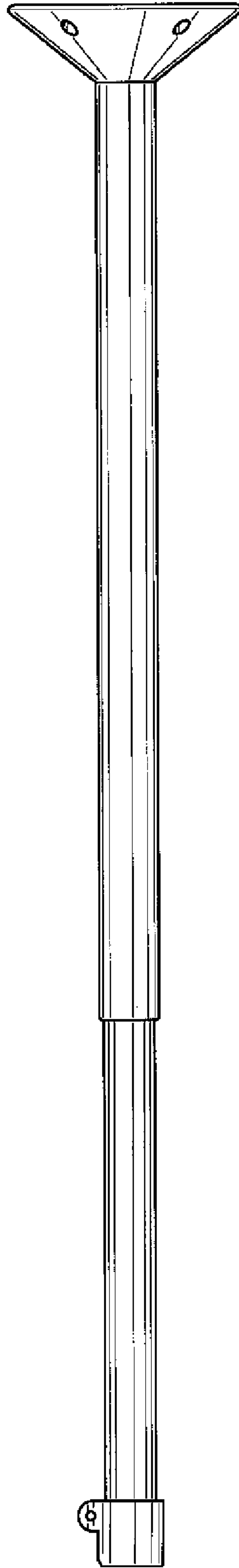


FIG. 4

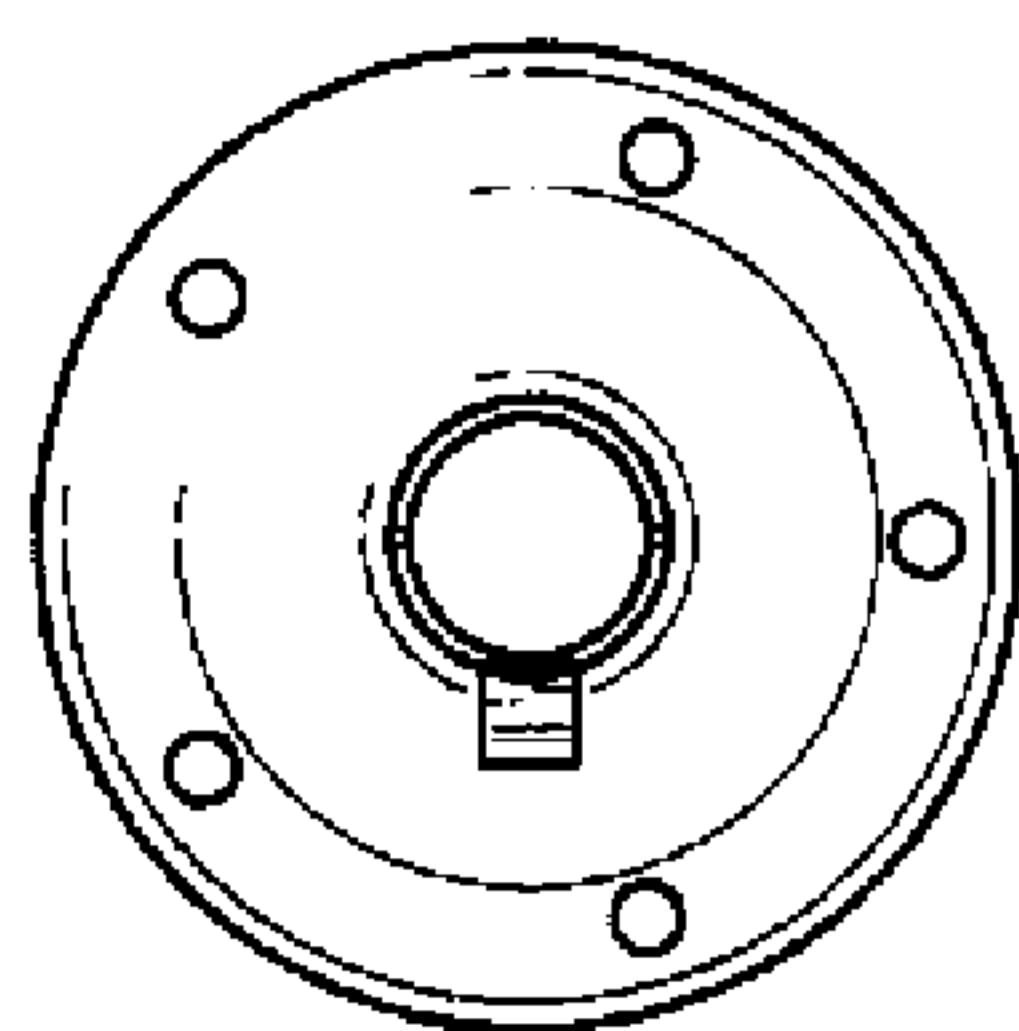


FIG. 5

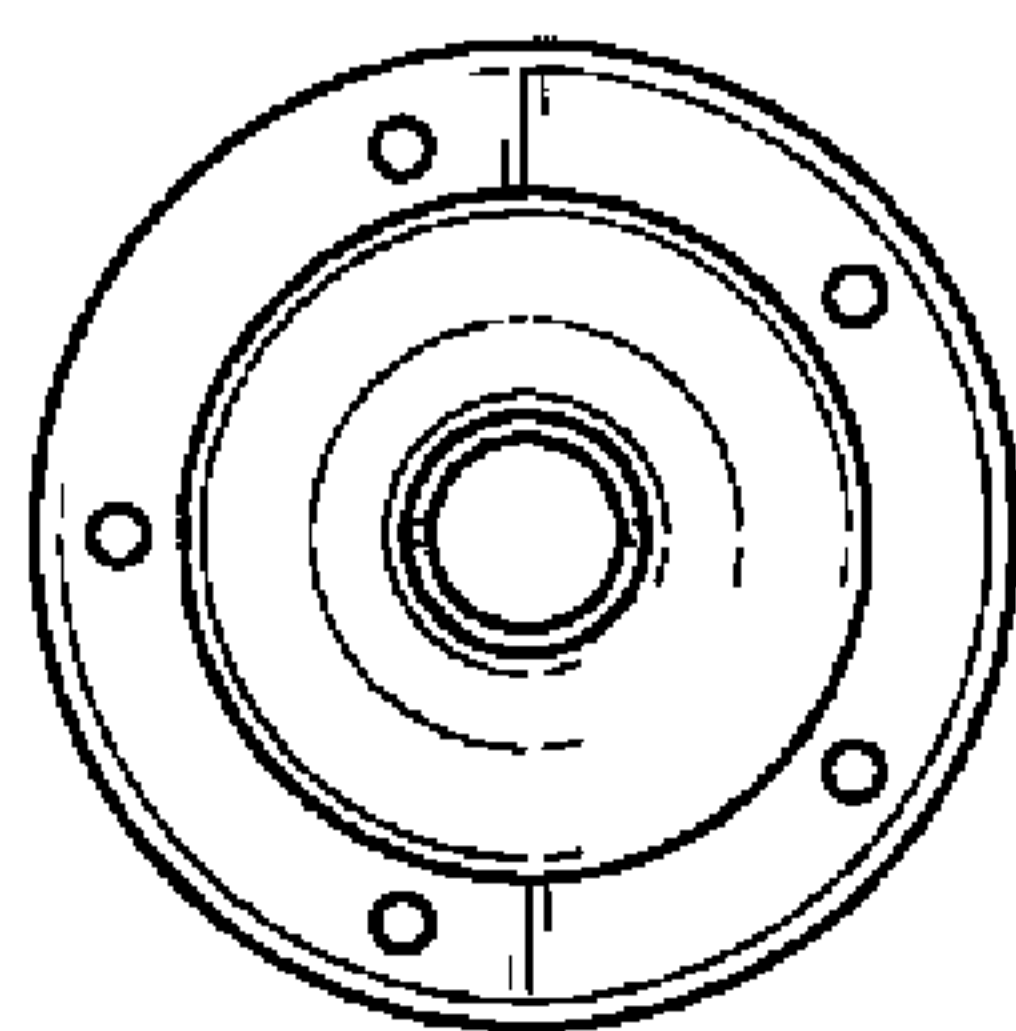


FIG. 6