



US00D663304S

(12) **United States Design Patent**
Akana et al.

(10) **Patent No.:** **US D663,304 S**
(45) **Date of Patent:** **** Jul. 10, 2012**

(54) **COVER**

(75) Inventors: **Jody Akana**, San Francisco, CA (US);
Bartley K. Andre, Menlo Park, CA (US);
Jeremy Bataillou, San Francisco, CA (US);
Daniel J. Coster, San Francisco, CA (US);
Daniele De Iuliis, San Francisco, CA (US);
Evans Hankey, San Francisco, CA (US);
Julian Hoenig, San Francisco, CA (US);
Richard P. Howarth, San Francisco, CA (US);
Jonathan P. Ive, San Francisco, CA (US);
Duncan Robert Kerr, San Francisco, CA (US);
Shin Nishibori, Portola Valley, CA (US);
Matthew Dean Rohrbach, San Francisco, CA (US);
Peter Russell-Clarke, San Francisco, CA (US);
Christopher J. Stringer, Woodside, CA (US);
Eugene Antony Whang, San Francisco, CA (US);
Rico Zorkendorfer, San Francisco, CA (US)

229/800; 220/522, 4.23; 345/169, 104, 156, 168, 173, 179, 672, 174; 150/147, 135; 402/2, 70-79, 500-502; 281/45, 38, 31, 29, 19.1, 34; D19/3, 26, 27, 33, 75, 86, 22, 90, 59, 60, 78, 83; D18/7, 17, 18; 383/97, 4, 110; 178/18.03, 18.01; 349/12; 428/332; D6/632, 407, 596, 601, 310, 611, 502, 583, 582, 595; 248/458; D13/102, 184; D20/18, 27, 42; 40/654.01, 536; D15/122; D21/480, 690; D25/48; D12/401, 182, 203, 400, 191; D24/205, 206, 200, 188, 207, 212, 215; 280/808; 112/420; 5/420; 604/308; 601/15, 108, 112, 60, 64, 70, 71; 160/370.23, 370.21; D7/629, 392.1; D28/7, 8, 83, 84, 82; 15/118; D32/40; 424/443; 442/123; D23/304; D9/435

See application file for complete search history.

(73) Assignee: **Apple Inc.**, Cupertino, CA (US)

(**) Term: **14 Years**

(21) Appl. No.: **29/384,903**

(22) Filed: **Feb. 4, 2011**

Related U.S. Application Data

(63) Continuation-in-part of application No. 29/375,197, filed on Sep. 17, 2010.

(51) **LOC (9) Cl.** **14-02**

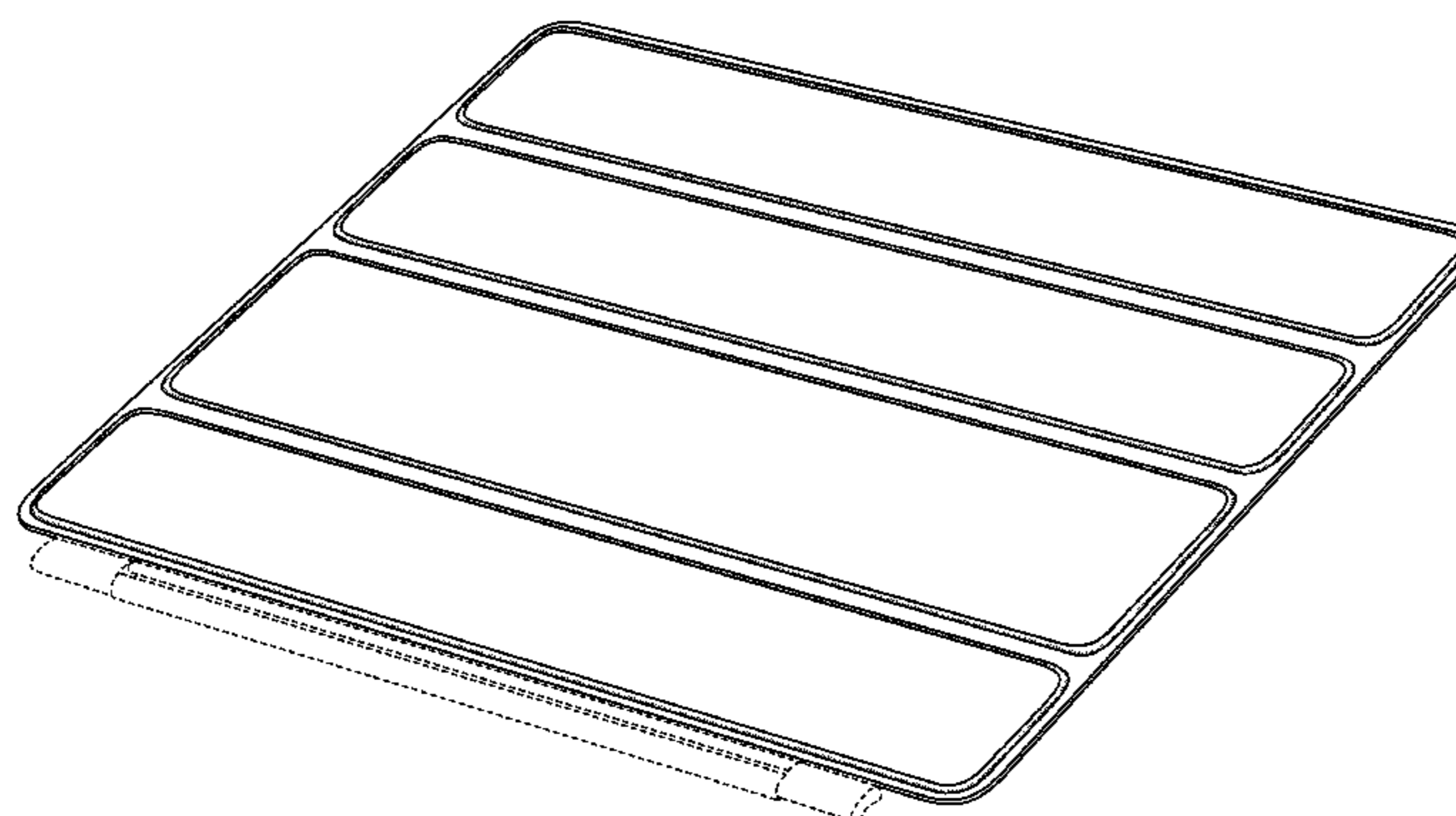
(52) **U.S. Cl.** **D14/440**

(58) **Field of Classification Search** D14/439, D14/440, 345, 341-344, 346, 371, 125-129, D14/327, 248; 206/320, 576, 305, 215, 232, 206/524, 425, 472, 224, 312, 387.13, 307, 206/387.1, 756; D3/286, 283, 295, 273, D3/303, 247, 215, 245, 232, 900, 249, 201, D3/276, 294, 301, 319, 203.1, 323, 227; 224/929; 708/110; 190/109, 100, 119, 901; 361/683, 725, 681, 686, 679; 229/87.5, 67.1,

(56) **References Cited**

U.S. PATENT DOCUMENTS

144,315 A	11/1873	Cooper
1,347,839 A	7/1920	Coons
1,356,593 A	10/1920	Bettiker
1,659,395 A	2/1928	Douglas
D104,699 S	5/1937	Pilliod
D123,984 S	12/1940	Pichel
2,279,164 A	4/1942	Gettleman
D137,864 S	5/1944	Jolles
D164,628 S	9/1951	Davis
D167,065 S	6/1952	Bohanan
D167,743 S	9/1952	Dorfman
2,631,046 A	3/1953	Stephens
2,834,703 A	5/1958	Atkinson
2,983,431 A	5/1961	Turan
3,015,834 A	1/1962	Marrinson et al.
3,257,128 A	6/1966	Schneider
3,336,610 A	8/1967	Geddings
3,460,744 A	8/1969	Turkenkopf
3,587,578 A	6/1971	Walker
D222,602 S	11/1971	Petrie
3,735,516 A	5/1973	Wenstrom
3,758,065 A	9/1973	Ranseen
3,797,146 A	3/1974	Holes
D232,825 S	9/1974	Gerber
3,970,332 A	7/1976	Alford, Jr.
D245,458 S	8/1977	Hauss et al.
4,044,942 A	8/1977	Sherwood
D251,082 S	2/1979	Petrie
D255,523 S	6/1980	Yarabinec



US D663,304 S

D255,524 S	6/1980	Yarabinec	D468,868 S	1/2003	Thorpe et al.
D258,723 S	3/1981	Cornou	6,527,330 B1	3/2003	Steffens et al.
4,310,117 A	1/1982	Gullett	D473,939 S	4/2003	Hantke et al.
D274,493 S	7/1984	Dyby	D473,940 S	4/2003	Hantke et al.
D275,153 S *	8/1984	Weinreb D3/327	6,539,653 B1	4/2003	Finke
4,520,958 A	6/1985	Jones et al.	6,568,005 B2	5/2003	Fleming et al.
4,566,720 A	1/1986	Goldman et al.	D480,971 S	10/2003	DeLuca et al.
D283,231 S	4/1986	Bradenburger	6,634,691 B2	10/2003	Henderson
4,592,358 A	6/1986	Westplate	D484,736 S	1/2004	Sarnoff
4,621,729 A	11/1986	Jackson	D487,521 S	3/2004	Link
4,629,070 A	12/1986	Roberg	D487,551 S	3/2004	Lee
4,643,544 A	2/1987	Loughran	6,702,359 B2	3/2004	Armstrong et al.
4,671,334 A	6/1987	Yadegar et al.	6,763,942 B1	7/2004	Yeh
4,693,495 A	9/1987	LaPointe	D494,469 S	8/2004	Solowiejko
D293,428 S	12/1987	Watts	6,772,879 B1	8/2004	Domotor
D296,006 S	5/1988	Asche	D496,322 S	9/2004	Farney et al.
D297,228 S	8/1988	Harpaz et al.	D498,308 S	11/2004	Mock
4,787,766 A	11/1988	Lorsch	D505,041 S	5/2005	Lesosky
4,877,074 A	10/1989	Castellano	6,887,486 B2	5/2005	Gregoire
D306,850 S	3/1990	Beedy	D511,838 S	11/2005	Vedra
D308,760 S	6/1990	King	D521,553 S	5/2006	Sterman
D310,987 S	10/1990	Law et al.	7,037,021 B2	5/2006	Raschke
D311,688 S	10/1990	Hodge	D527,535 S	9/2006	Sturba et al.
D312,130 S	11/1990	Jones	D533,347 S	12/2006	Andre et al.
D312,214 S	11/1990	Hodge	D538,096 S	3/2007	Bartell et al.
D312,835 S	12/1990	Holm	D538,575 S	3/2007	Bartell et al.
D313,964 S	1/1991	Fuller	D544,922 S	6/2007	Shaffer
5,000,319 A	3/1991	Mermelstein	D548,782 S	8/2007	Nash
D317,329 S	6/1991	Annand	D550,137 S	9/2007	Kraines
D318,372 S	7/1991	Mackey	D551,265 S	9/2007	Brinson
D319,016 S	8/1991	Kahl	D553,410 S	10/2007	Kramer
D320,274 S	9/1991	Douglas	D557,347 S	12/2007	Nishimoto
D321,091 S	10/1991	Dickinson	D560,383 S	1/2008	Woods
D321,761 S	11/1991	Shimizu	7,318,521 B2	1/2008	Lau
5,066,158 A	11/1991	Huang	7,322,063 B2	1/2008	Esimai
5,092,354 A	3/1992	Pacelli, Jr.	D564,223 S	3/2008	Messineo
D325,637 S	4/1992	O'Brien et al.	D565,196 S	3/2008	Mock et al.
D327,046 S	6/1992	Eskandry et al.	D566,111 S	4/2008	Nakagawa
D329,747 S	9/1992	Embree	D572,709 S	7/2008	Nakagawa et al.
D331,191 S	11/1992	Ventola et al.	7,398,868 B2	7/2008	Morszeck
5,179,944 A	1/1993	McSymytz	D574,962 S	8/2008	Atkins et al.
D341,373 S	11/1993	Stern	7,435,103 B2	10/2008	Ma
D345,014 S	3/1994	Huffman	D581,857 S	12/2008	Bogard
D352,357 S	11/1994	Ashley	D581,859 S	12/2008	Bogard
D356,120 S	3/1995	Allen	D581,865 S	12/2008	Koza
5,431,449 A	7/1995	Arimoto et al.	D582,047 S	12/2008	Yim
D360,778 S	8/1995	Apt, III et al.	D582,475 S	12/2008	Guest
5,439,101 A	8/1995	Brink et al.	D583,479 S	12/2008	Yim
5,450,858 A	9/1995	Zablotsky et al.	D583,959 S	12/2008	Yim
D364,191 S	11/1995	Allen	D584,141 S	1/2009	Smith et al.
5,480,192 A	1/1996	Angerbauer et al.	D584,612 S	1/2009	Ianello
5,487,566 A	1/1996	Hedge, Jr.	D587,797 S	3/2009	Blanchard
D369,998 S	5/1996	Eskandry	D587,812 S	3/2009	Uchiyama et al.
D370,177 S	5/1996	Bankier	D592,402 S	5/2009	Ahlgrim et al.
D370,650 S	6/1996	Eskandry	D596,305 S	7/2009	Usui et al.
5,566,871 A	10/1996	Weintraub	D597,302 S	8/2009	Adams et al.
D383,213 S	9/1997	Ingram	D599,286 S	9/2009	Horito et al.
D389,509 S	1/1998	Yasoshima	D599,484 S	9/2009	Gray et al.
D389,646 S	1/1998	Sankey et al.	D599,761 S	9/2009	Birsel et al.
D390,007 S	2/1998	Ahern, Jr.	D599,959 S	9/2009	Washington
D391,298 S	2/1998	Johnson et al.	D600,699 S	9/2009	Johnston et al.
D405,200 S	2/1999	Hines	7,584,841 B2	9/2009	Chan et al.
D406,463 S	3/1999	Rutledge	D601,369 S	10/2009	Mock et al.
5,887,723 A	3/1999	Myles et al.	D602,598 S	10/2009	Yim
5,902,256 A	5/1999	Benaron	D603,906 S	11/2009	Miller et al.
D411,353 S	6/1999	Dickinson et al.	D604,727 S	11/2009	Chu et al.
5,996,778 A	12/1999	Shih	D605,940 S	12/2009	Lin
D418,867 S	1/2000	Platte, III	D606,119 S	12/2009	Miller et al.
6,122,785 A	9/2000	Bondie et al.	D606,120 S	12/2009	Miller et al.
D432,477 S	10/2000	Gorodetsky	D606,121 S	12/2009	Miller et al.
D435,171 S	12/2000	Anderson	D607,253 S	1/2010	McCammon
D436,179 S	1/2001	Small	D607,255 S	1/2010	Sunseri
D442,321 S	5/2001	Cheng	7,643,274 B2	1/2010	Bekele
D445,744 S	7/2001	Hsing	D609,360 S	2/2010	Yim
D446,982 S	8/2001	Block	D609,912 S	2/2010	Kyono et al.
6,289,968 B1	9/2001	Karten et al.	D613,062 S	4/2010	Romero et al.
D449,927 S	11/2001	Dorizas	D613,982 S	4/2010	Wilson et al.
6,427,371 B2	8/2002	Olson et al.	D616,930 S	6/2010	Engel et al.
6,493,969 B2	12/2002	Devos	7,735,644 B2	6/2010	Sirichai et al.

D620,122 S	7/2010	Cotton
D620,877 S	8/2010	Rusher et al.
D622,061 S	8/2010	Higginson
D623,940 S	9/2010	Ianello
D624,615 S	9/2010	Kusmierz
D627,078 S	11/2010	Matsuo et al.
D627,117 S	11/2010	Hale
D627,775 S	11/2010	Li
D628,004 S	11/2010	Moorefield
D628,132 S	11/2010	Grzyb et al.
D628,197 S	11/2010	Li
D628,705 S	12/2010	Usui et al.
D628,706 S	12/2010	Usui et al.
D629,195 S	12/2010	Jusic
D629,914 S	12/2010	Hunter
D631,912 S	2/2011	Epstein
D632,660 S	2/2011	Donowho et al.
D633,388 S	3/2011	Andre et al.
D633,673 S	3/2011	McKnight
D633,879 S	3/2011	Heng et al.
D635,135 S	3/2011	Li
D635,564 S	4/2011	Li
D637,399 S	5/2011	Romero et al.
D638,526 S	5/2011	Newman
D638,627 S	5/2011	Romero et al.
D640,089 S	6/2011	Green et al.
D641,720 S	7/2011	Heng et al.
2005/0001021 A1	1/2005	Hutchinson
2005/0021114 A1	1/2005	Hidaka
2005/0246851 A1	11/2005	Cline
2008/0167095 A1	7/2008	Kim et al.
2009/0000169 A1	1/2009	Houssain et al.
2009/0017883 A1	1/2009	Lin
2009/0107858 A1	4/2009	Huang
2009/0159763 A1	6/2009	Kim
2009/0194209 A1	8/2009	De Filippis et al.
2010/0122924 A1	5/2010	Andrews

OTHER PUBLICATIONS

Speck's Pixelskin HD Wrap for Ipad, 3 pages, Mar. 18, 2011: www.speckproducts.com/tablet-ipad-cases/pixelskin-hd-wrap-ipad-case-black.html [www.wirelessgoodness.com/2011/03/17/specks-pixelskin-hd-wrap-for-the-ipad-2-does-its-best-impersonation-of-apples-smart-cover.*](http://www.wirelessgoodness.com/2011/03/17/specks-pixelskin-hd-wrap-for-the-ipad-2-does-its-best-impersonation-of-apples-smart-cover.)

Speck's Candy Shell Wrap and Dust Jacket for Ipad, 9pages, Mar. 18, 2011: www.speckproducts.com/tablet-ipad-cases/candyshell-wrap-ipad-cover-black.html, www.ipadmodo.com/10601/speck-unveils-new-candyshell-wrap-multi-function-case-for-ipad, [www.ohgizmo.com/2011/03/01/ohgizmo-review-spcks-candyshell-wrap-dustjacket-for-the-ipad.*](http://www.ohgizmo.com/2011/03/01/ohgizmo-review-spcks-candyshell-wrap-dustjacket-for-the-ipad.)

Apple Smart Cover, 25 pages, Mar. 18, 2011: <http://store.apple.com/us/product/MC942>, www.apple.com/ipad/smart-cover, www.apple.com/pr/library/2011/03/02ipad.html, <http://obamapacman.com/2011/03ipad-2-apple-keynote-video-download/ipad-2-keynote-063>, www.ifixit.com/teardown/ipad-2-smart-cover-teardown/5089/1, [www.macstories.net/stories/the-genius-of-*](http://www.macstories.net/stories/the-genius-of-)

Apple Ipad Case, 10pages, Mar. 18, 2011: <http://store.apple.com/us/product/MC361ZM/B?afid=p210frgl&cid=AOS-US-SHOP-Froogle>, www.ilounge.com/index.php/reviews/entry/apple-ipad-case, www.patentlyapple.com/patently-apple/2010/08/apples-ipad-case-design-is-now-registered-with-patent-office.html, www.tuaw.com/photos/ipad-case-from-apple, [http://amzn.com/.*](http://amzn.com/)

Case-Parts, "Original Targus Folding Genuine Leather Case for Apple iPad with Built-in Holder," <http://www.case-parts.com/details/Original-Targus-Folding-Genuine-Leather-Case-for-Apple-iPad-with-Built-in-Holder-IPAD-570/photos.htm>, 3 pages, Mar. 25, 2011.

* cited by examiner

Primary Examiner — Susan Moon Lee
(74) Attorney, Agent, or Firm — Sterne, Kessler, Goldstein & Fox PLLC

(57) CLAIM

The ornamental design for a cover, as shown and described.

DESCRIPTION

FIG. 1 is a front perspective view of a cover showing our new design;
FIG. 2 is a rear perspective view thereof;
FIG. 3 is a front view thereof;
FIG. 4 is a rear view thereof;
FIG. 5 is a bottom view thereof;
FIG. 6 is a top view thereof; and,
FIG. 7 is a side view thereof, the opposite side being a mirror image thereof.

The broken lines in the Figures show portions of the cover which form no part of the claimed design.
The shade lines in the Figures show contour and not surface ornamentation.

1 Claim, 6 Drawing Sheets

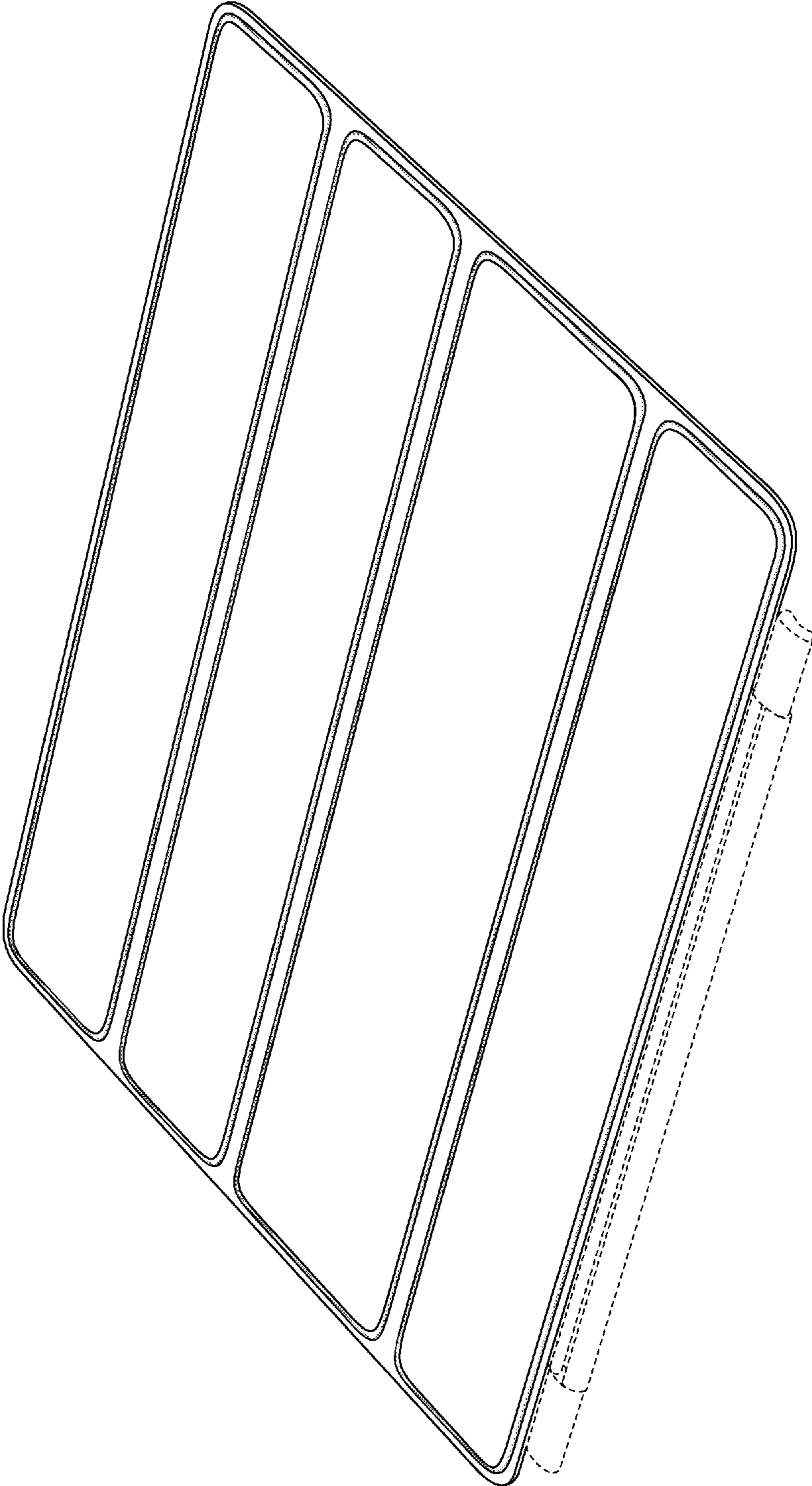


FIG. 1

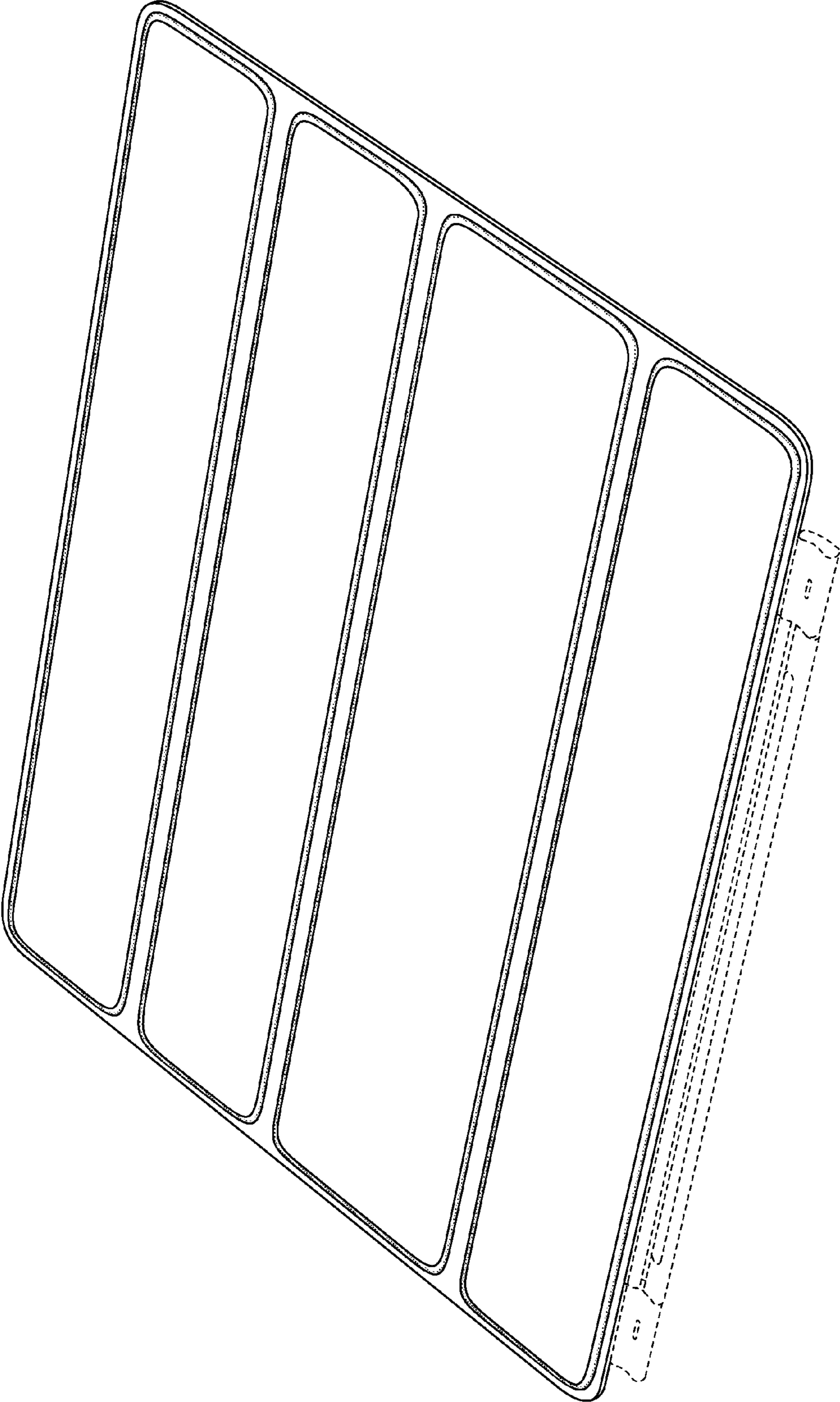


FIG. 2

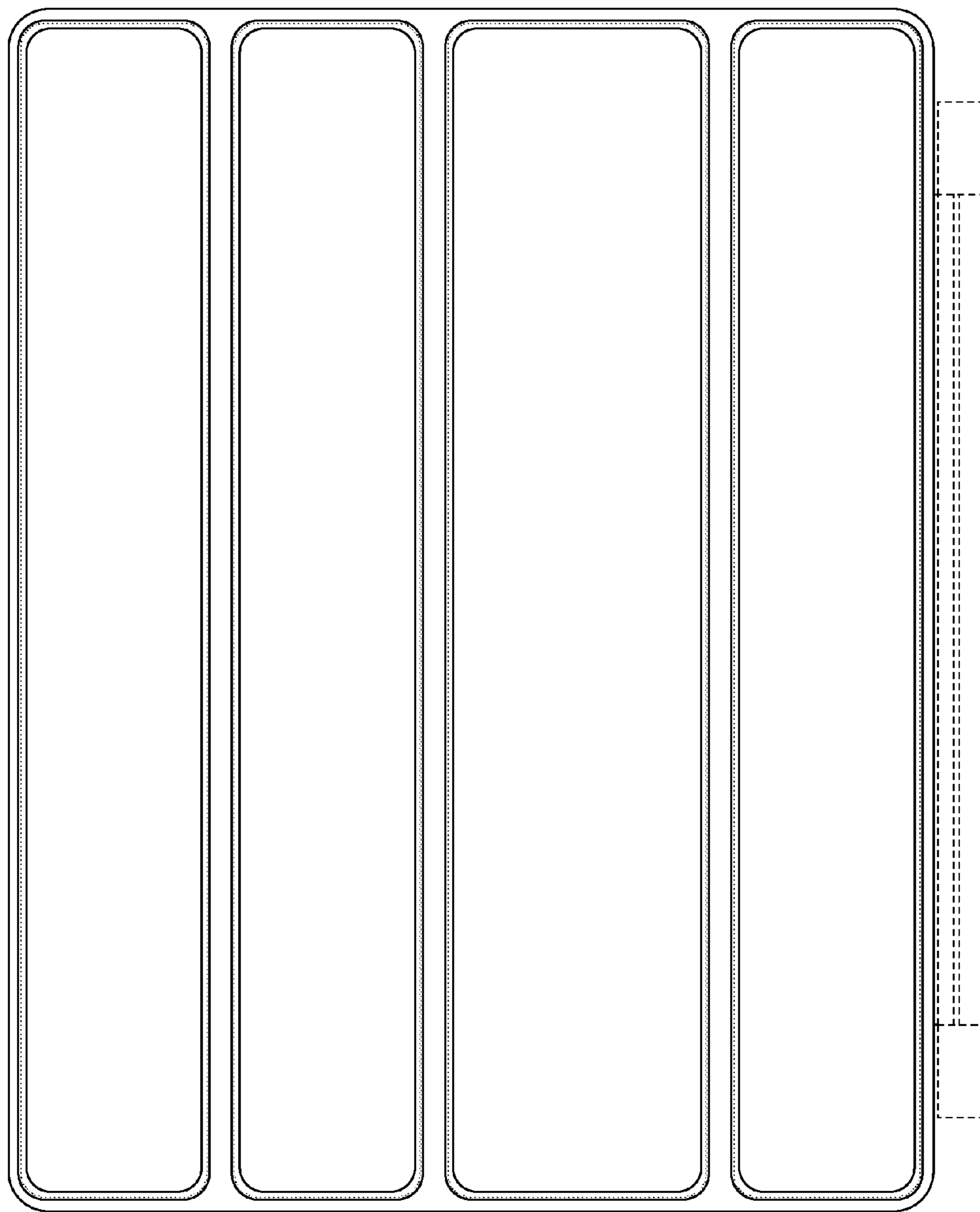


FIG. 3

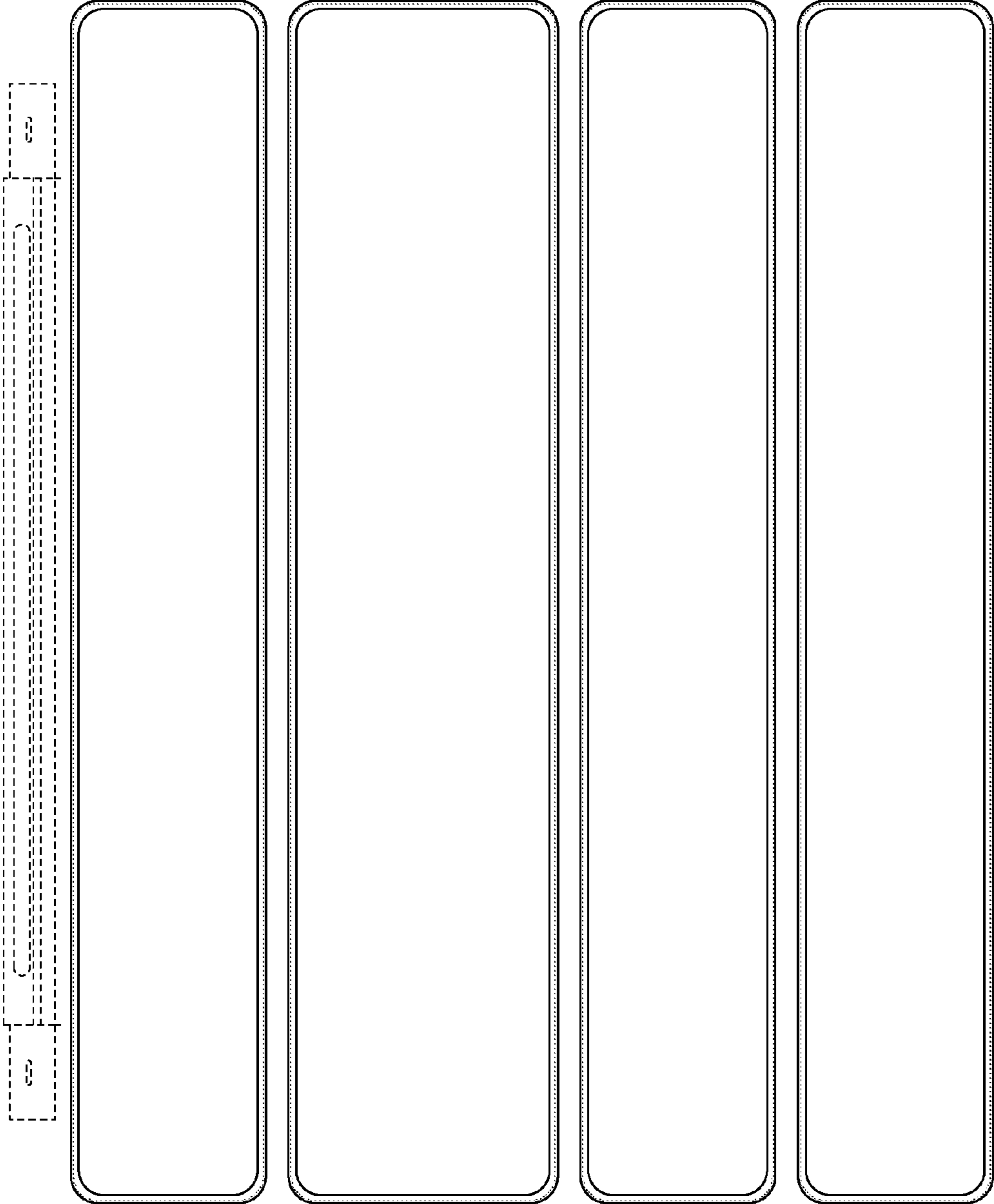


FIG. 4

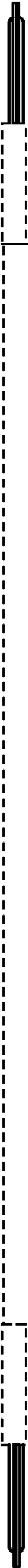


FIG. 5



FIG. 6



FIG. 7