



US00D663303S

(12) **United States Design Patent**  
**Radin et al.**

(10) **Patent No.:** **US D663,303 S**  
(45) **Date of Patent:** **\*\* Jul. 10, 2012**

- (54) **AUDIO DOCK FOR A TABLET COMPUTER**
- (75) Inventors: **Daniel I. Radin**, Boston, MA (US); **Paul C. Williamson**, Providence, RI (US)
- (73) Assignee: **ION Audio, LLC, a Limited Liability Company of Florida**, Cumberland, RI (US)
- (\*\*) Term: **14 Years**
- (21) Appl. No.: **29/413,080**
- (22) Filed: **Feb. 10, 2012**

**Related U.S. Application Data**

- (63) Continuation of application No. 29/392,627, filed on May 24, 2011, now Pat. No. Des. 654,077.
  - (51) **LOC (9) Cl.** ..... **14-02**
  - (52) **U.S. Cl.** ..... **D14/434**
  - (58) **Field of Classification Search** ..... D14/432-434, D14/314, 204, 420, 421, 447, 217, 358; D13/107, D13/108, 146; D8/373; 248/346.03, 176.1; 361/679.31, 679.32, 679.33, 679.4, 679.41, 361/679.43, 679.55; 320/109, 112-115; 341/20, 22, 23; 710/484-489, 492, 303; 455/557
- See application file for complete search history.

(56) **References Cited**

**U.S. PATENT DOCUMENTS**

- 5,633,782 A \* 5/1997 Goodman et al. .... 361/679.41
- 5,751,548 A \* 5/1998 Hall et al. .... 361/679.41

- 5,933,812 A \* 8/1999 Meyer et al. .... 705/15
- 6,456,492 B1 \* 9/2002 Wang et al. .... 361/679.4
- D471,558 S \* 3/2003 Wada ..... D14/434
- 6,643,127 B1 \* 11/2003 Richardson ..... 361/679.4
- 7,515,408 B2 \* 4/2009 Bakker et al. .... 361/679.33
- 7,708,240 B2 \* 5/2010 Homer et al. .... 248/130
- D654,077 S \* 2/2012 Radin et al. .... D14/434

\* cited by examiner

*Primary Examiner* — Freda S Nunn

(74) *Attorney, Agent, or Firm* — Barlow, Josephs & Holmes, Ltd.

(57) **CLAIM**

The ornamental design for an audio dock for a tablet computer, as shown and described.

**DESCRIPTION**

FIG. 1 is a front and left side perspective view of an embodiment of an audio dock for a tablet computer showing our new design;

FIG. 2 is a top view thereof;

FIG. 3 is a bottom view thereof;

FIG. 4 is a front elevation view thereof;

FIG. 5 is a rear elevation view thereof;

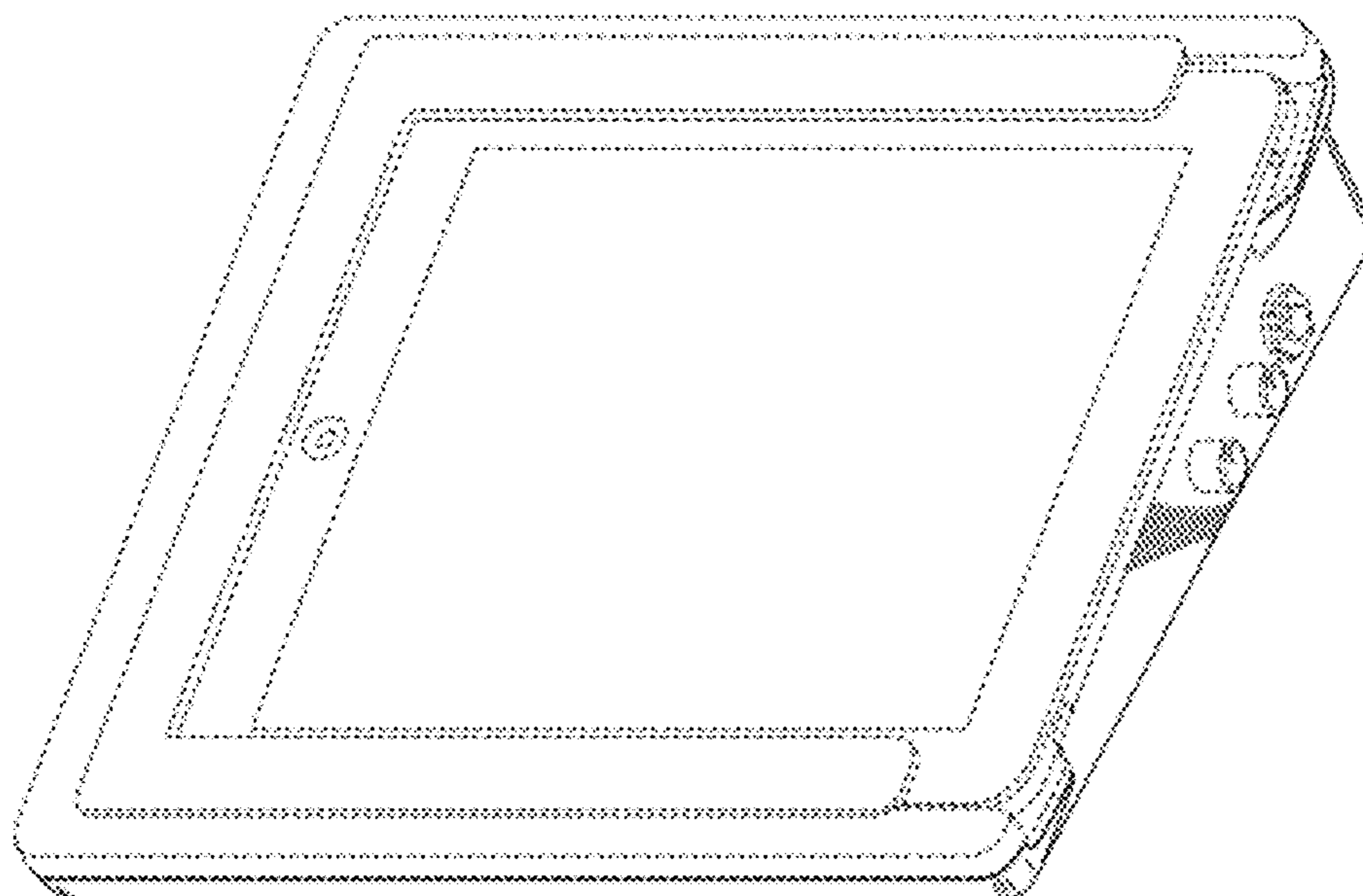
FIG. 6 is a right side elevation view thereof;

FIG. 7 is a left side elevation view thereof; and,

FIG. 8 is a front and left side perspective view thereof wherein the tablet computer depicted in broken lines seated in the cradle of the audio dock for a tablet computer.

The elements depicted in broken lines in the figures are included for environmental purposes only, and form no part of the claimed design.

**1 Claim, 6 Drawing Sheets**



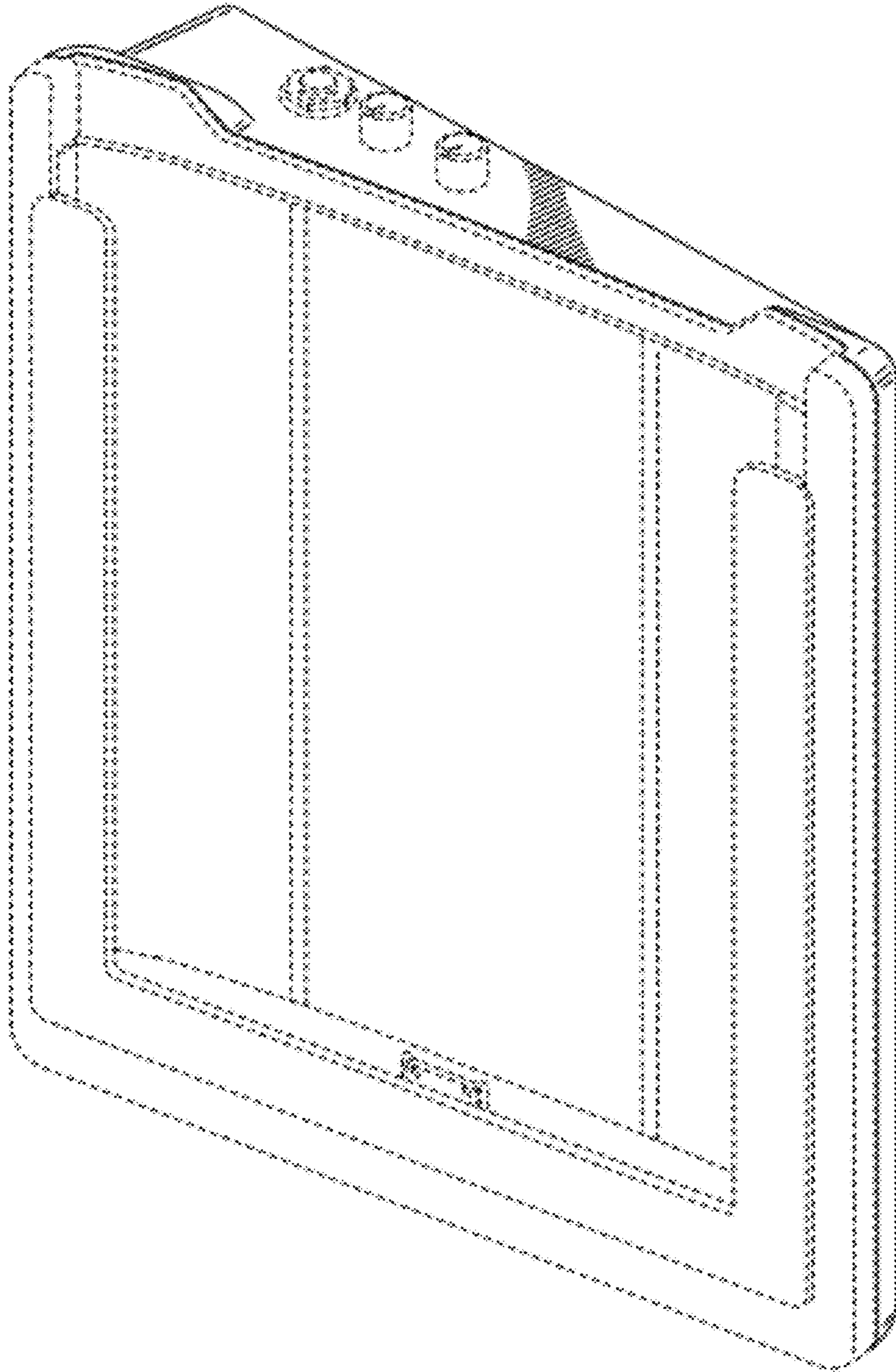


FIG. 1

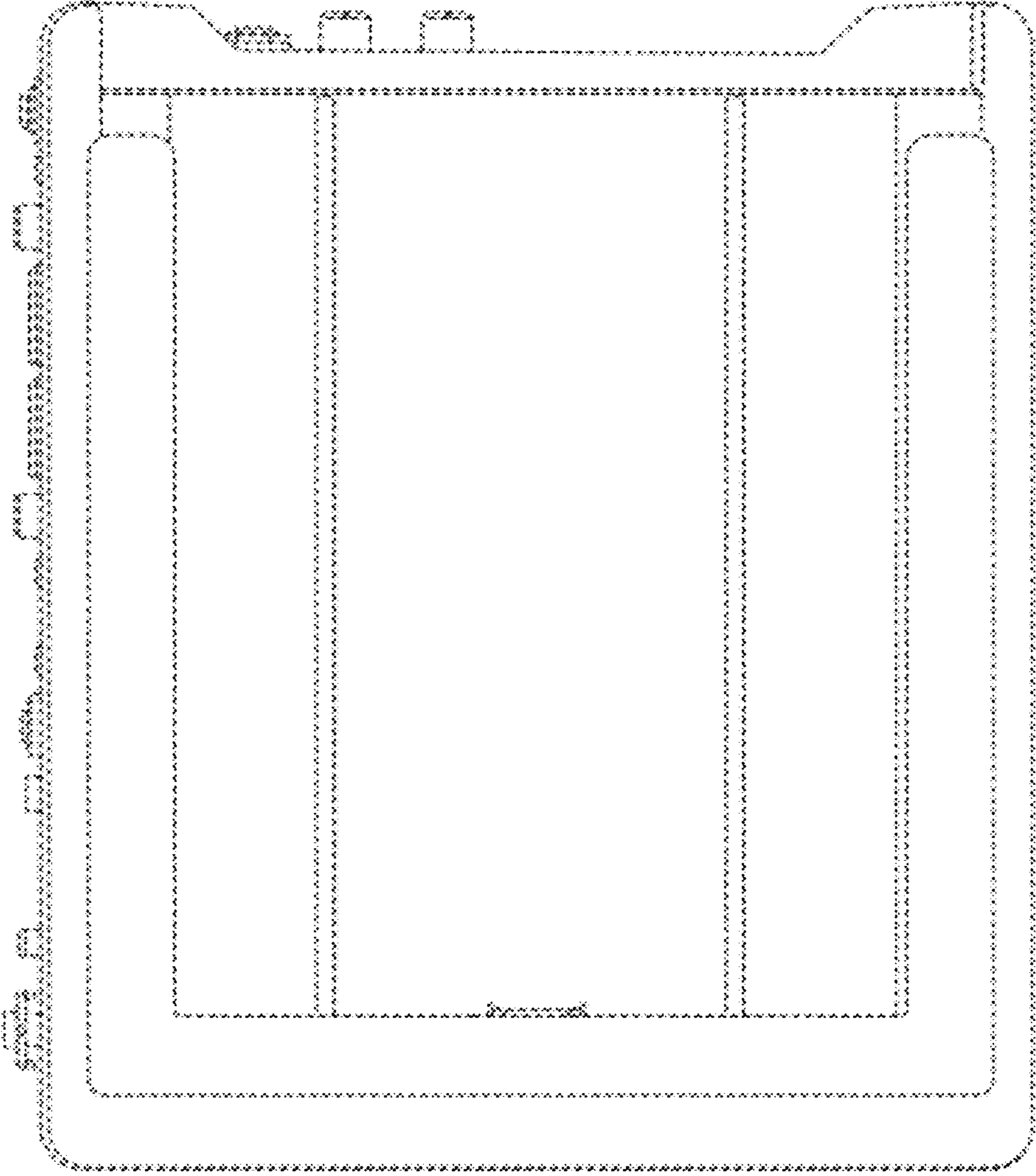


FIG. 2



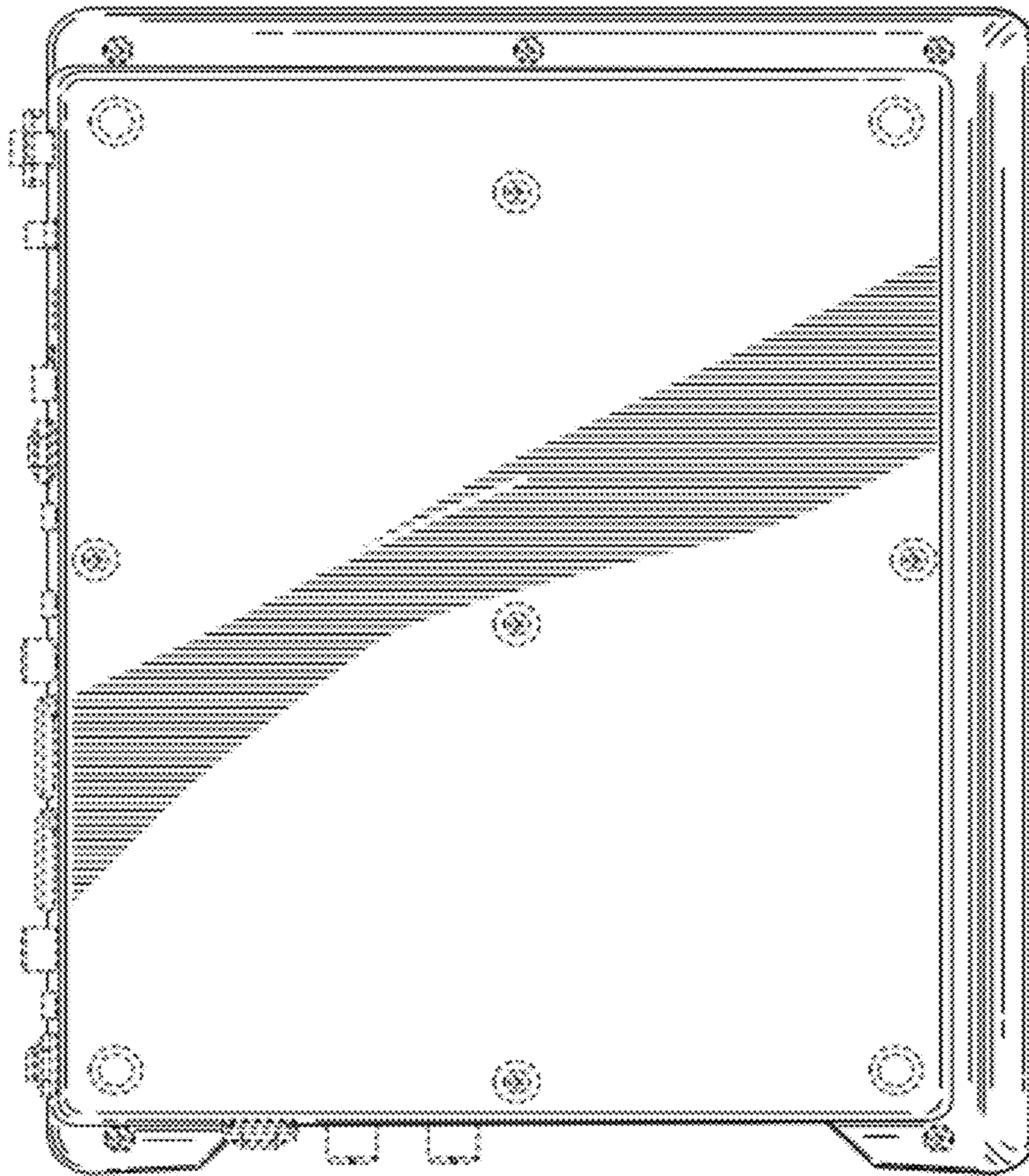


FIG. 3



FIG. 4

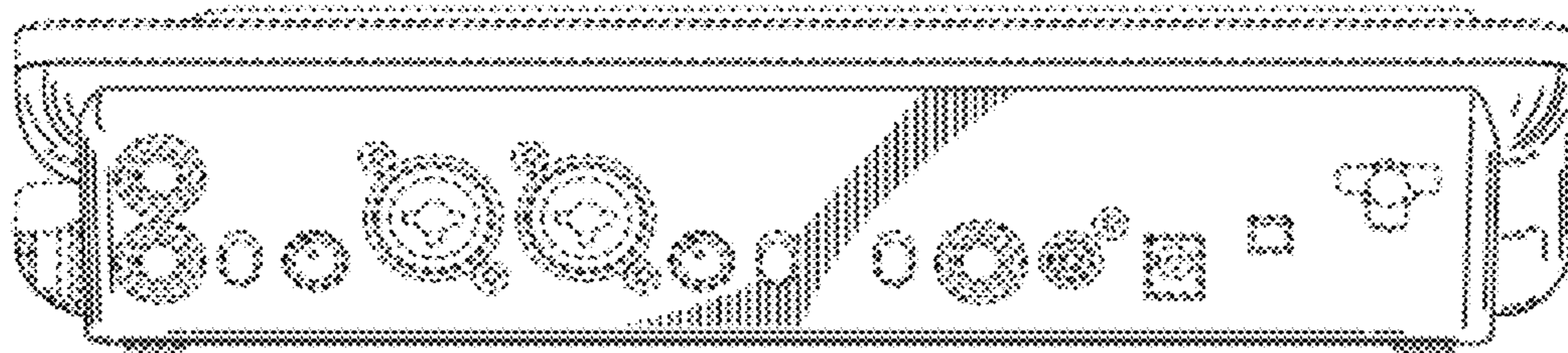


FIG. 5

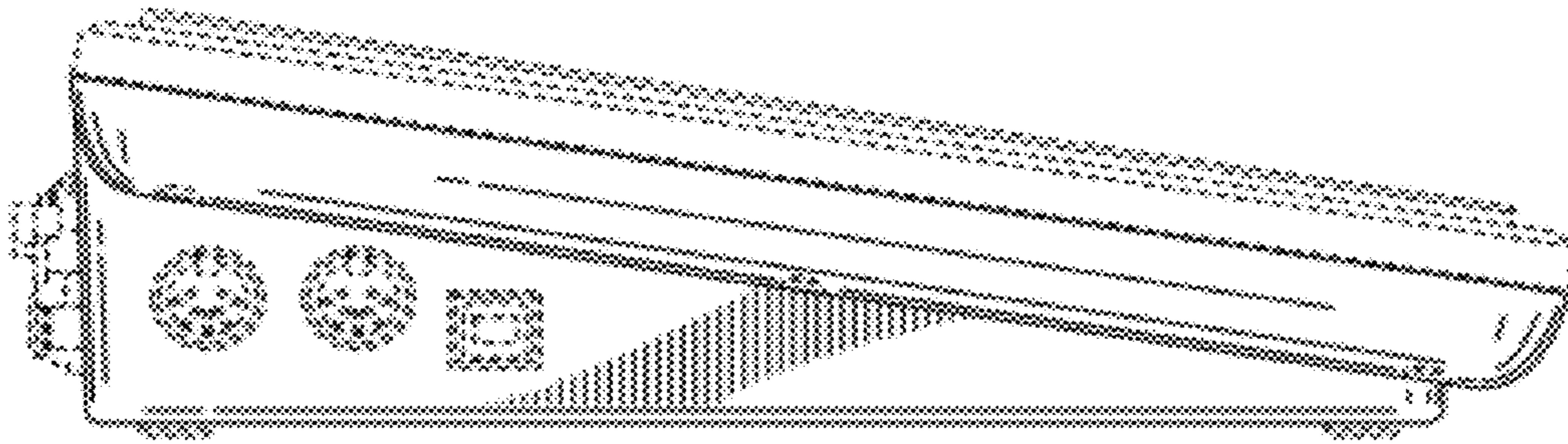


FIG. 6

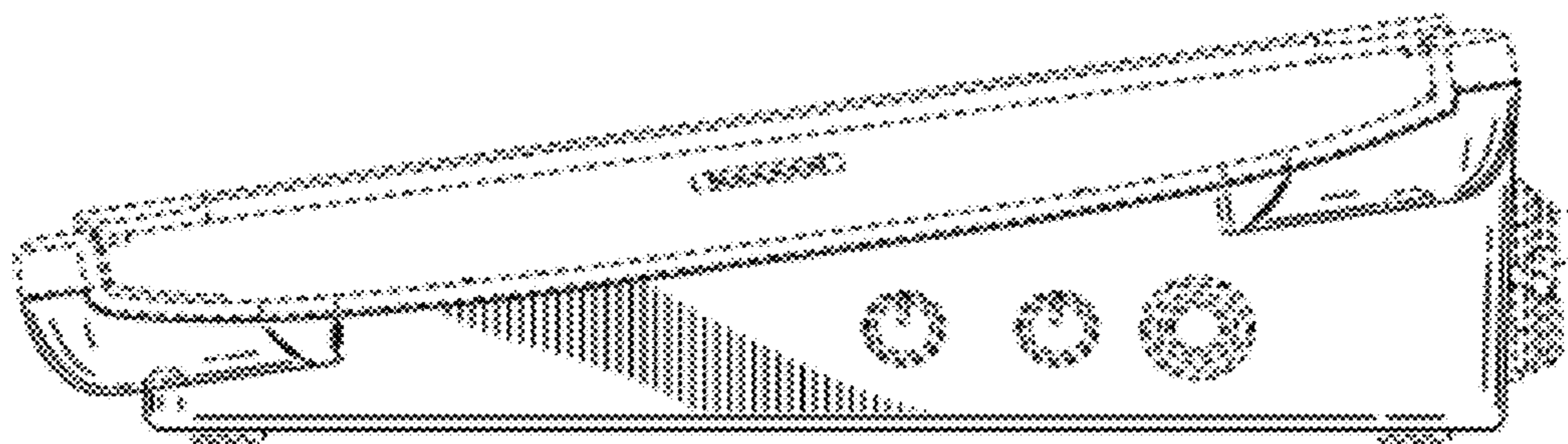


FIG. 7



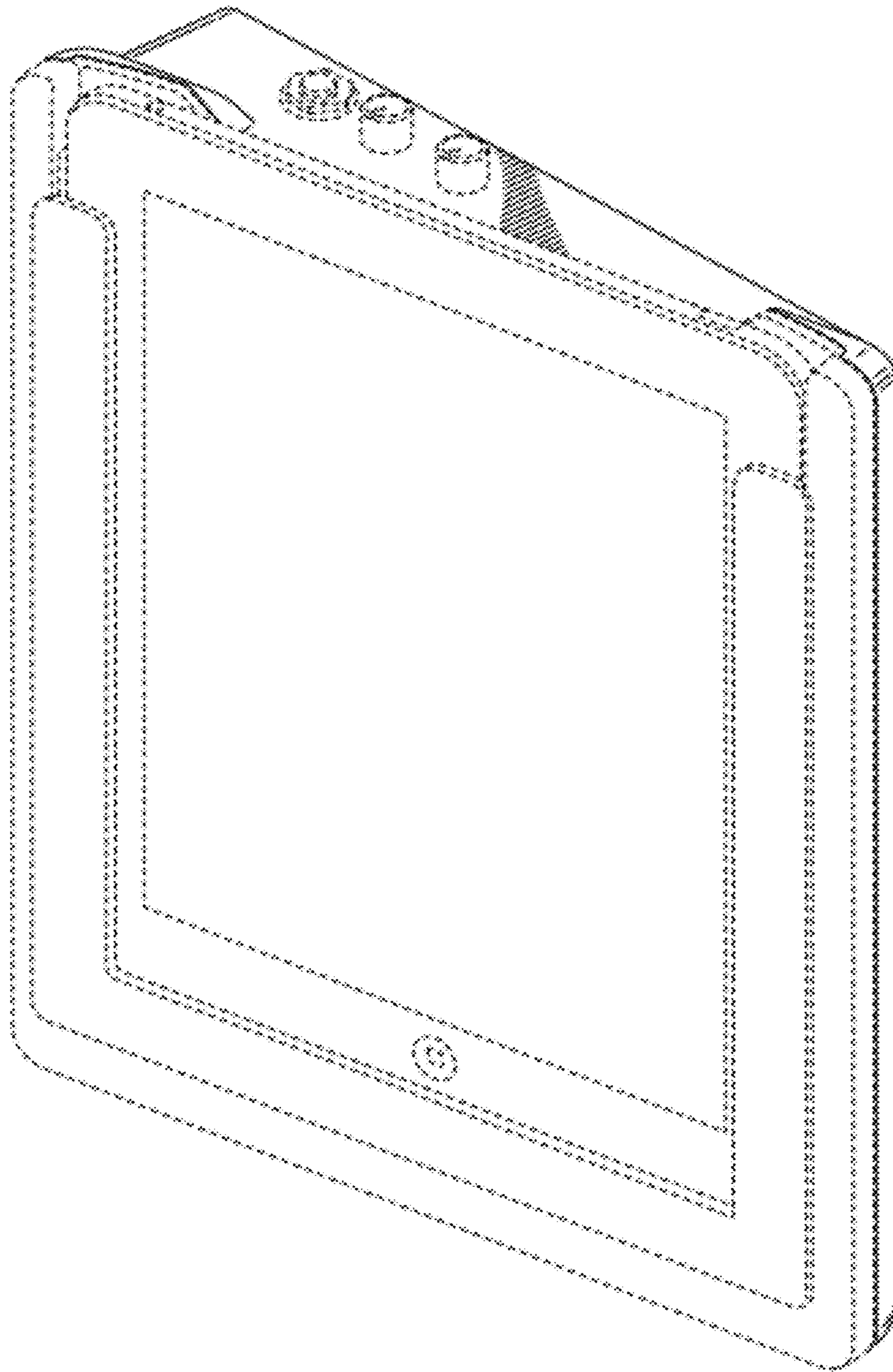


FIG. 8