

US00D663302S

(12) **United States Design Patent**
Radin et al.

(10) **Patent No.:** **US D663,302 S**
(45) **Date of Patent:** **** Jul. 10, 2012**

(54) **AUDIO DOCK FOR A TABLET COMPUTER**

(75) Inventors: **Daniel I. Radin**, Boston, MA (US); **Paul C. Williamson**, Providence, RI (US)

(73) Assignee: **Alesis, L.P., a Limited Partnership of Delaware**, Cumberland, RI (US)

(**) Term: **14 Years**

(21) Appl. No.: **29/413,070**

(22) Filed: **Feb. 10, 2012**

Related U.S. Application Data

(63) Continuation of application No. 29/392,627, filed on May 24, 2011, now Pat. No. Des. 654,077.

(51) **LOC (9) Cl.** **14-02**

(52) **U.S. Cl.** **D14/434**

(58) **Field of Classification Search** D14/432-434,
D14/314, 204, 420, 421, 447, 217, 358; D13/107,
D13/108, 146; D8/373; 248/346.03, 176.1;
361/679.31, 679.32, 679.33, 679.4, 679.41,
361/679.43, 679.55; 320/109, 112-115;
341/20, 22, 23; 710/484-489, 492, 303;
455/557

See application file for complete search history.

(56) **References Cited**

U.S. PATENT DOCUMENTS

5,633,782 A * 5/1997 Goodman et al. 361/679.41
5,751,548 A * 5/1998 Hall et al. 361/679.41
5,933,812 A * 8/1999 Meyer et al. 705/15

6,456,492 B1 * 9/2002 Wang et al. 361/679.4
D471,558 S * 3/2003 Wada D14/434
6,643,127 B1 * 11/2003 Richardson 361/679.4
7,515,408 B2 * 4/2009 Bakker et al. 361/679.33
7,708,240 B2 * 5/2010 Homer et al. 248/130
D654,077 S * 2/2012 Radin et al. D14/434

* cited by examiner

Primary Examiner — Freda S Nunn

(74) *Attorney, Agent, or Firm* — Barlow, Josephs & Holmes, Ltd.

(57) **CLAIM**

The ornamental design for an audio dock for a tablet computer, as shown and described.

DESCRIPTION

FIG. 1 is a front and left side perspective view of an embodiment of an audio dock for a tablet computer showing our new design;

FIG. 2 is a top view thereof;

FIG. 3 is a bottom view thereof;

FIG. 4 is a front elevation view thereof;

FIG. 5 is a rear elevation view thereof;

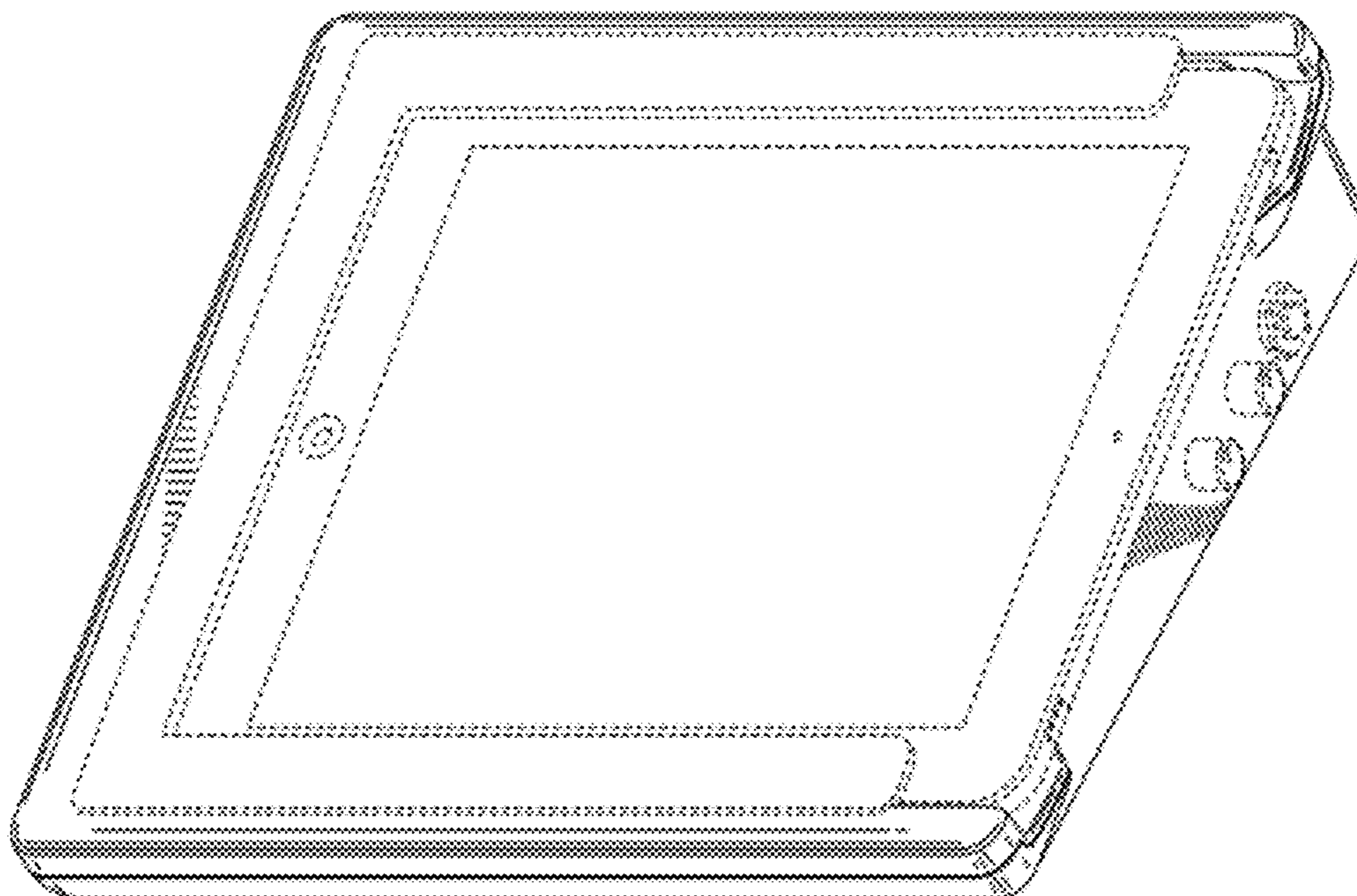
FIG. 6 is a right side elevation view thereof;

FIG. 7 is a left side elevation view thereof; and,

FIG. 8 is a front and left side perspective view thereof wherein the tablet computer depicted in broken lines seated in the cradle of the audio dock for a tablet computer.

The elements depicted in broken lines in the figures are included for environmental purposes only, and form no part of the claimed design.

1 Claim, 6 Drawing Sheets



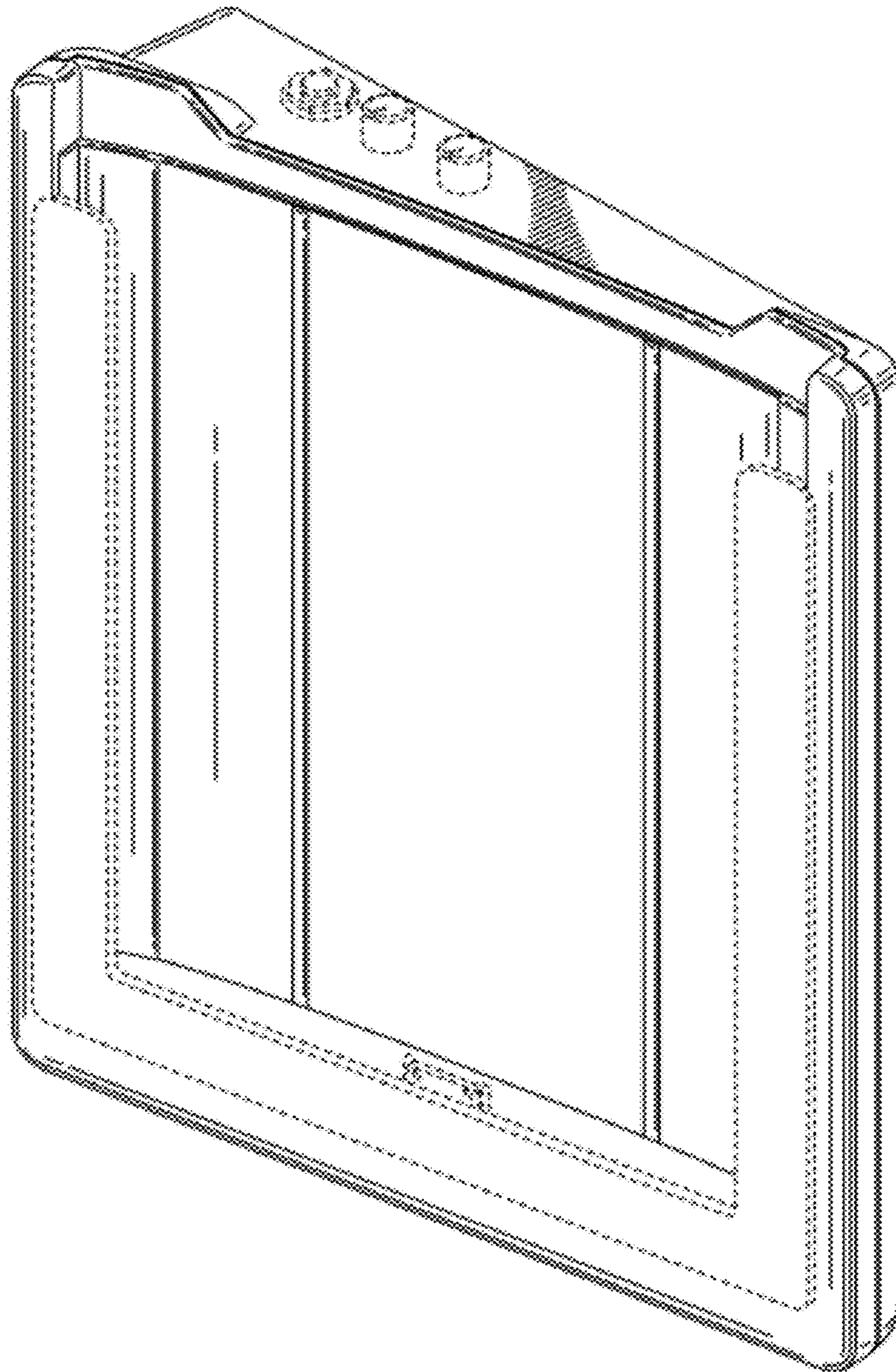


FIG. 1

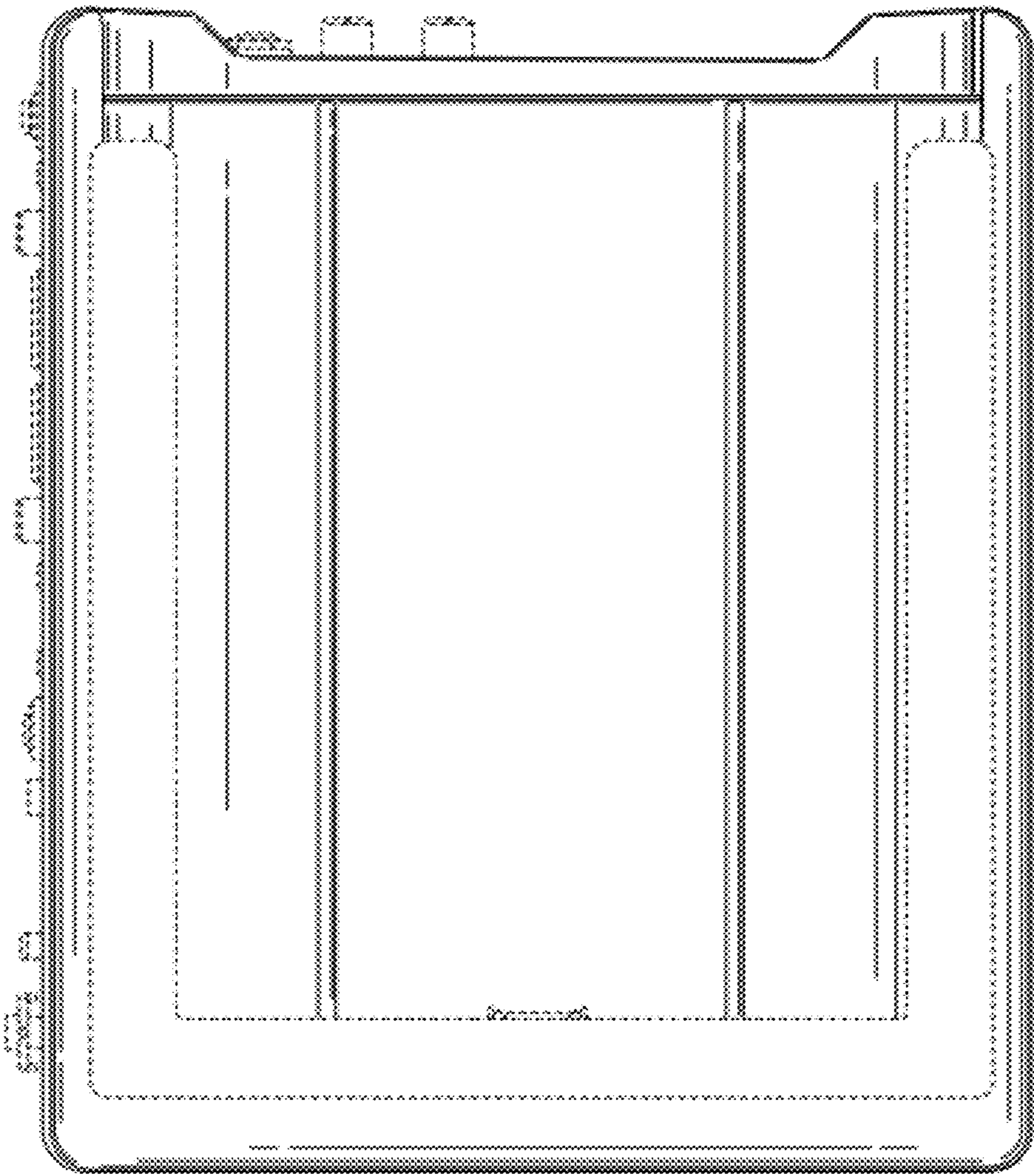


FIG. 2

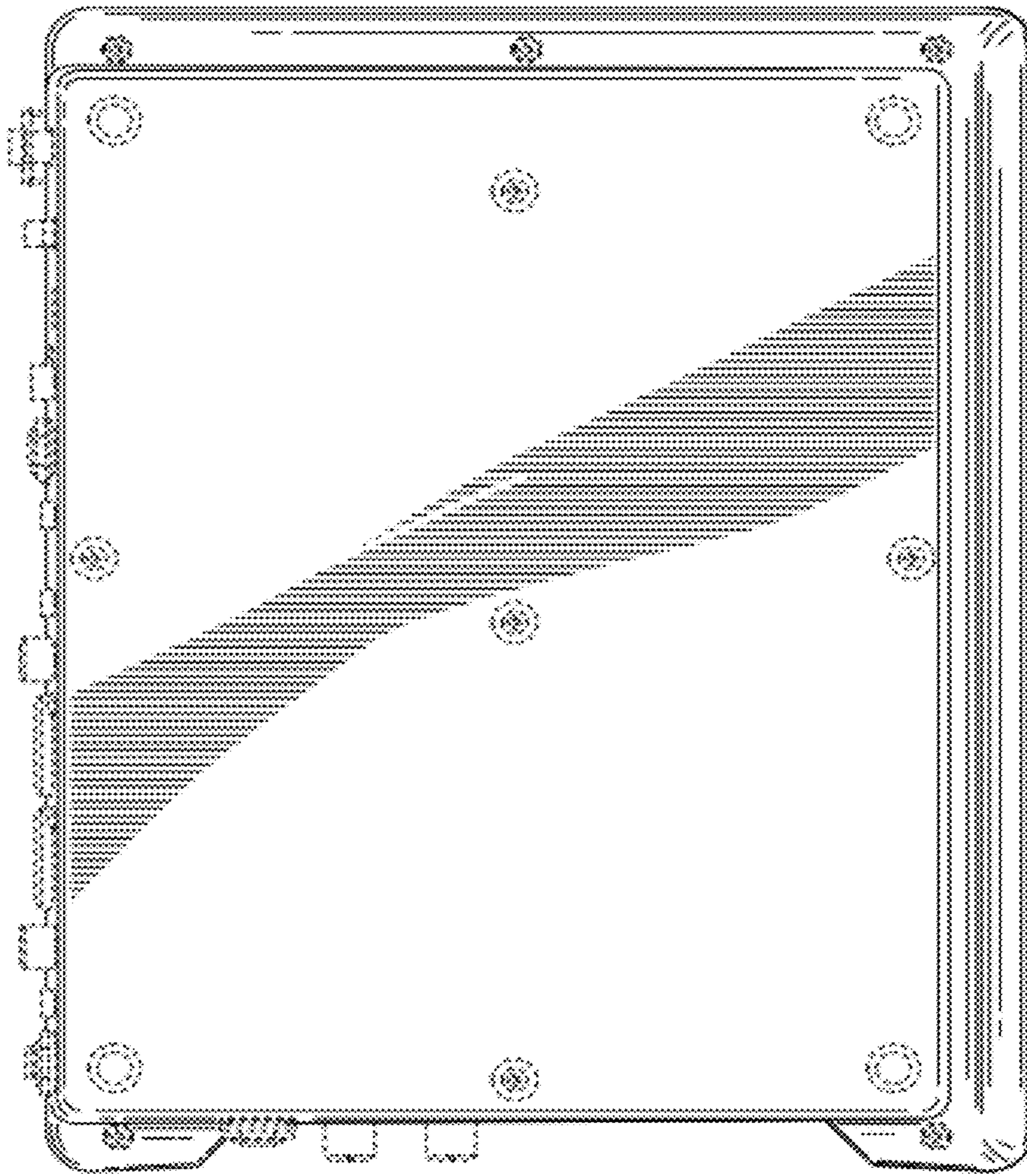


FIG. 3

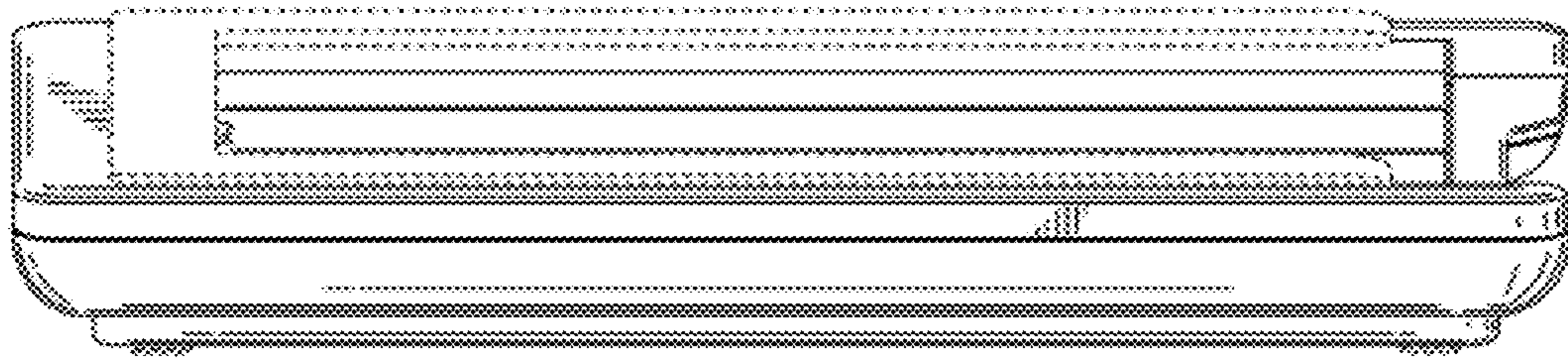


FIG. 4

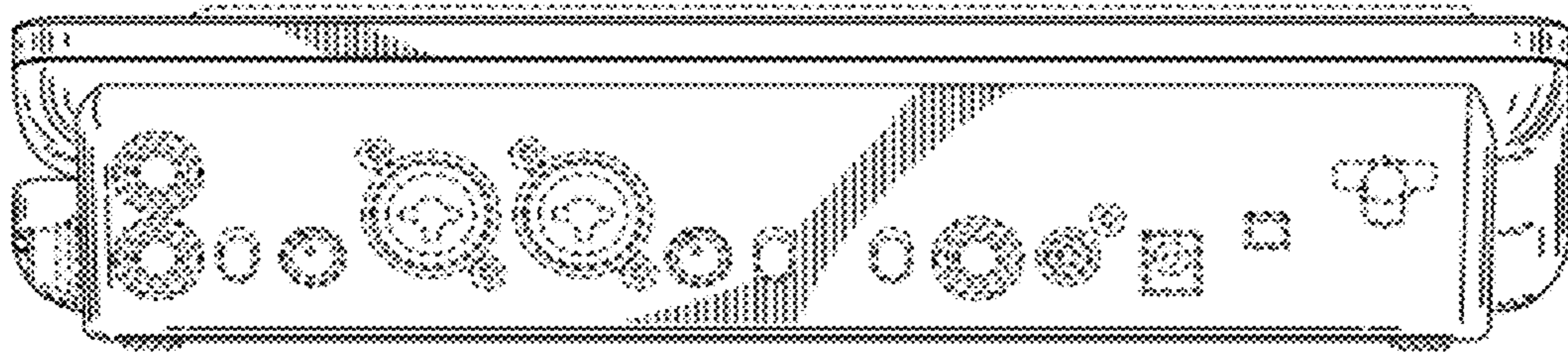


FIG. 5

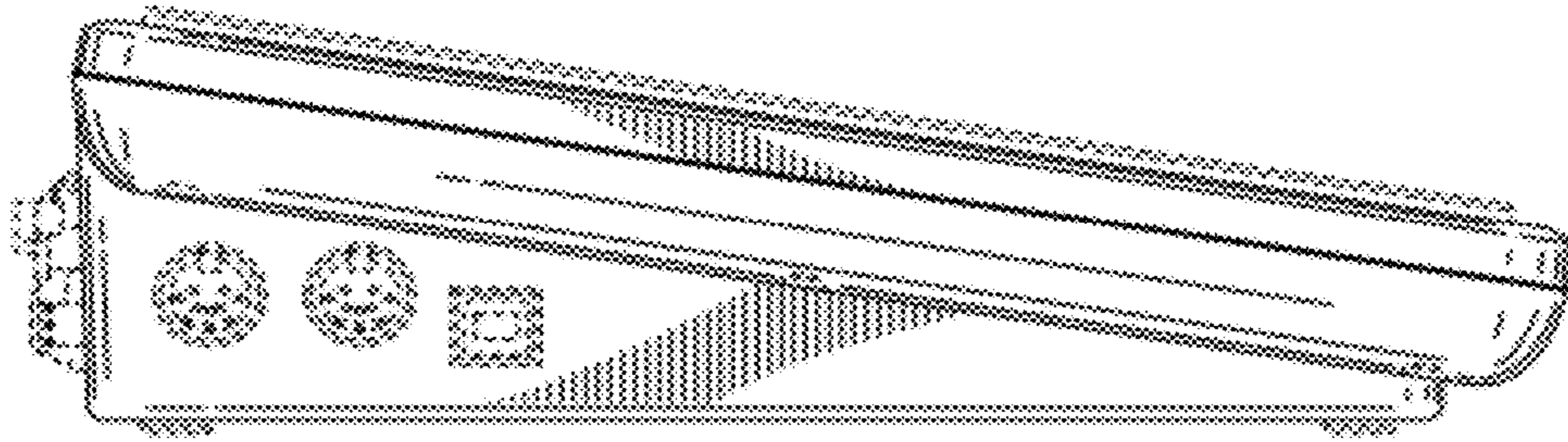


FIG. 6

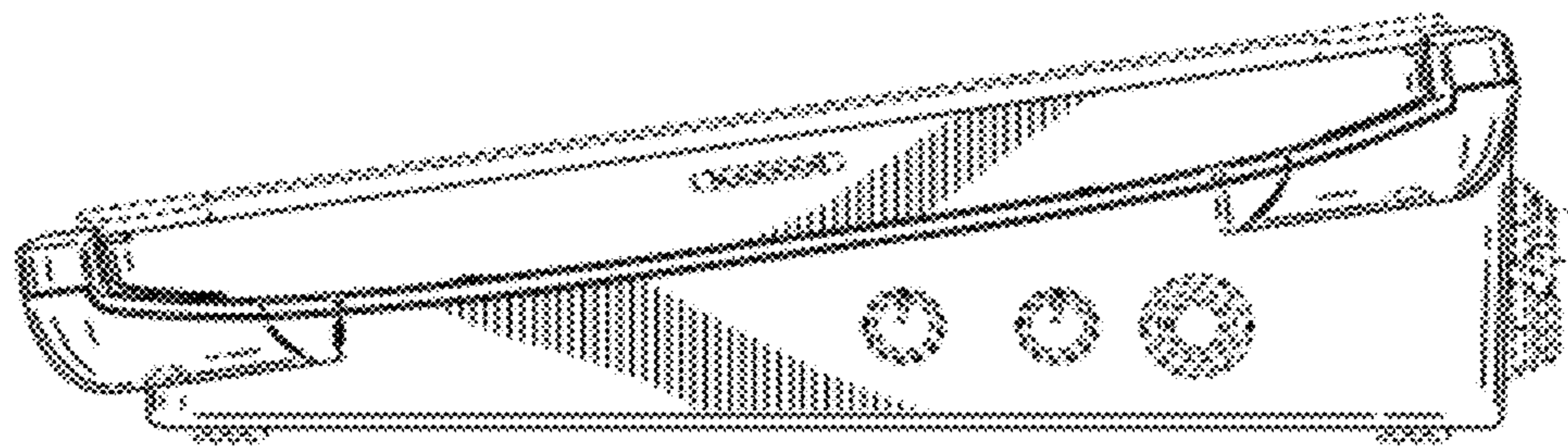


FIG. 7

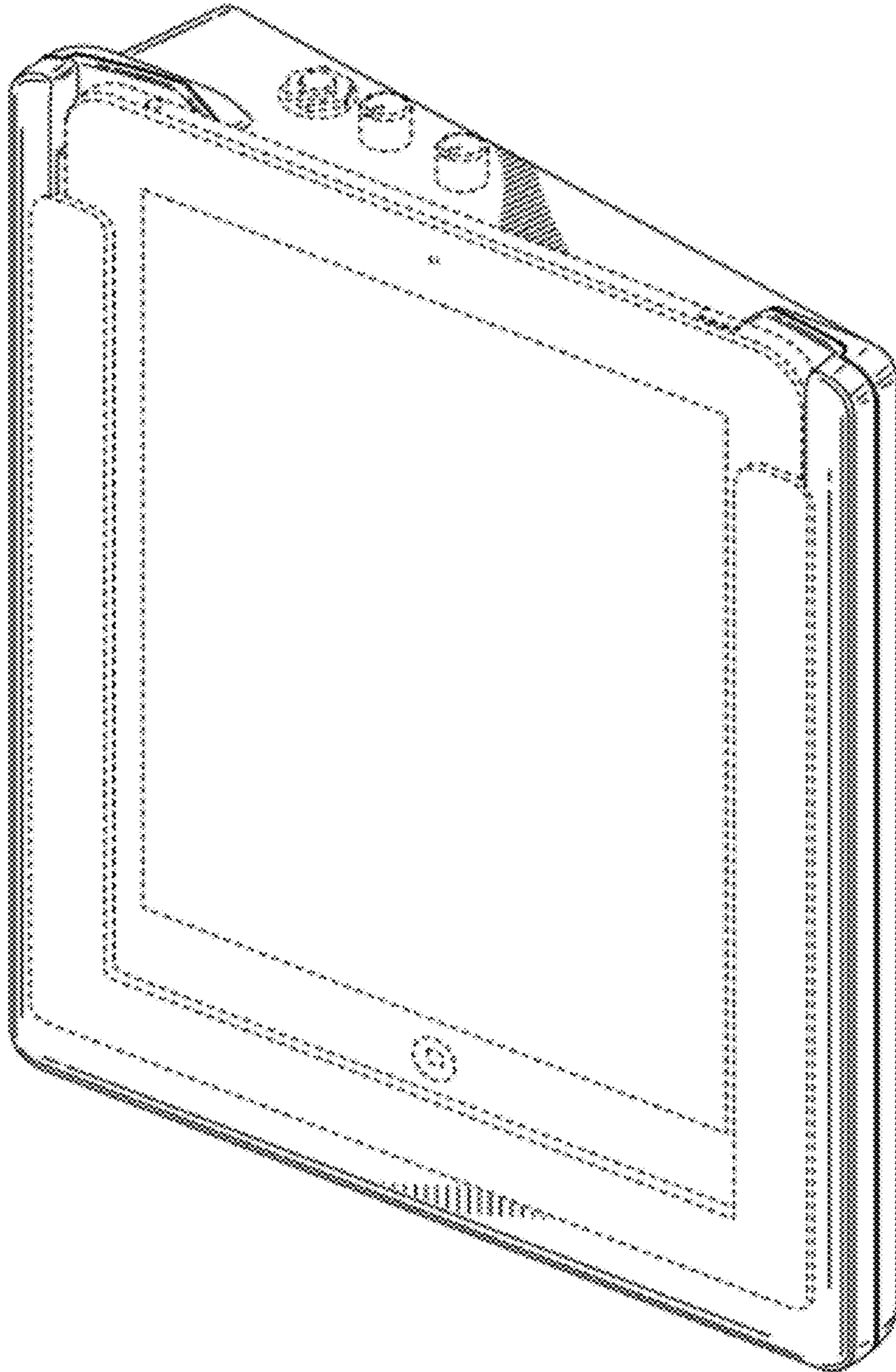


FIG. 8