



US00D663295S

(12) **United States Design Patent**
Fahrendorff et al.

(10) **Patent No.:** **US D663,295 S**
(45) **Date of Patent:** **** Jul. 10, 2012**

- (54) **HANDHELD ELECTRONIC DEVICE SHELL**
- (75) Inventors: **Anders Fahrendorff**, Ottawa (CA); **Ian James Murchison**, Toronto (CA)
- (73) Assignee: **Research In Motion Limited**, Waterloo, Ontario (CA)
- (**) Term: **14 Years**
- (21) Appl. No.: **29/391,182**
- (22) Filed: **May 4, 2011**
- (51) **LOC (9) Cl.** **14-03**
- (52) **U.S. Cl.** **D14/250**
- (58) **Field of Classification Search** D14/250–253, D14/440, 203.3–203.7, 217, 496, 248, 238.1, D14/240, 447; D3/201, 218, 269, 301, 273, D3/303; D13/103, 107–108; 220/4.02; 248/309.1; 361/679.56; 379/426, 433.11, 455; 455/575.1, 455/575.8; 190/100; 206/305, 320
See application file for complete search history.

D653,658 S * 2/2012 Fahrendorff et al. D14/250
 D653,659 S * 2/2012 Fahrendorff et al. D14/250
 2010/0104814 A1* 4/2010 Richardson et al. 428/156

OTHER PUBLICATIONS

BlackBerry Torch 9850/9860 Premium Skin Case, earliest review posted on Nov. 14, 2011, <URL:http://www.blackberrysource.com/store/products/blackberry-torch-9850-9860-premium-skin-case-black.htm>, retrieved from internet on Mar. 24, 2012.*
 Review of Torch 9850/9860 Skin Case, uploaded on Nov. 15, 2011, <URL:http://www.youtube.com/watch?v=ry-3x2MjBI8>, retrieved from internet on Mar. 25, 2012.*
 BlackBerry Torch Purple Tinted Flexi Gel Skin Case for BlackBerry Torch 9800 Reviews by carrie posted on Sunday, Mar. 4, 2012, <URL:http://www.blackberryboldreviews.org/purple-tinted-flexi-gel-skin-case-for-blackberry-torch-9800-reviews>, retrieved from internet on Mar. 15, 2012.*

* cited by examiner

Primary Examiner — Carla Wright

(57) **CLAIM**

We claim the ornamental design for a handheld electronic device shell, as shown and described.

DESCRIPTION

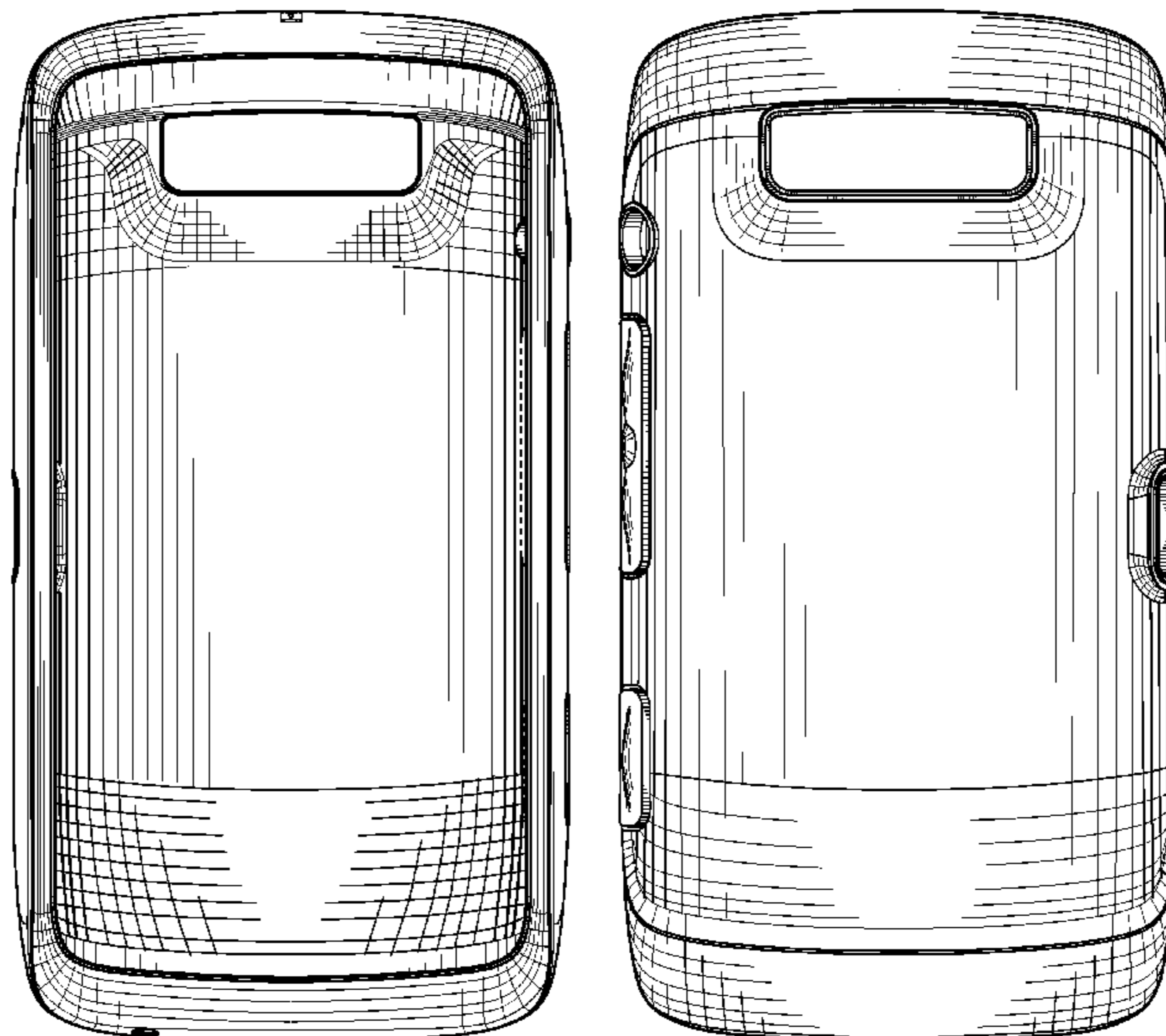
FIG. 1 is a front perspective view of a handheld electronic device shell;
 FIG. 2 is a back perspective view of the handheld electronic device shell;
 FIG. 3 is a front elevational view thereof;
 FIG. 4 is a back elevational view thereof;
 FIG. 5 is a right elevational view thereof;
 FIG. 6 is a left elevational view thereof;
 FIG. 7 is a top plan view thereof; and,
 FIG. 8 is a bottom plan view thereof.
 In the drawings, the broken lines indicate portions of the handheld electronic device shell that form no part of the claimed design.

1 Claim, 6 Drawing Sheets

(56) **References Cited**

U.S. PATENT DOCUMENTS

D556,681 S *	12/2007	Kim	D13/103
D606,528 S *	12/2009	Khan et al.	D14/250
D609,228 S *	2/2010	Ferrari et al.	D14/250
D609,463 S *	2/2010	Bullen	D3/218
D618,231 S *	6/2010	Fahrendorff et al.	D14/250
D619,361 S *	7/2010	Andre et al.	D3/269
D619,573 S *	7/2010	Khan et al.	D14/250
D624,533 S *	9/2010	Richardson et al.	D14/250
D624,910 S *	10/2010	Richardson et al.	D14/250
D628,568 S *	12/2010	Richardson et al.	D14/250
D631,877 S *	2/2011	Rak et al.	D14/250
D638,410 S *	5/2011	Khan et al.	D14/250
D641,012 S *	7/2011	Fahrendorff et al.	D14/250
D644,216 S *	8/2011	Richardson et al.	D14/250
D648,717 S *	11/2011	Fahrendorff et al.	D14/250
D649,538 S *	11/2011	Magness et al.	D14/250
D652,827 S *	1/2012	Fahrendorff et al.	D14/250
D653,656 S *	2/2012	Charnas et al.	D14/250



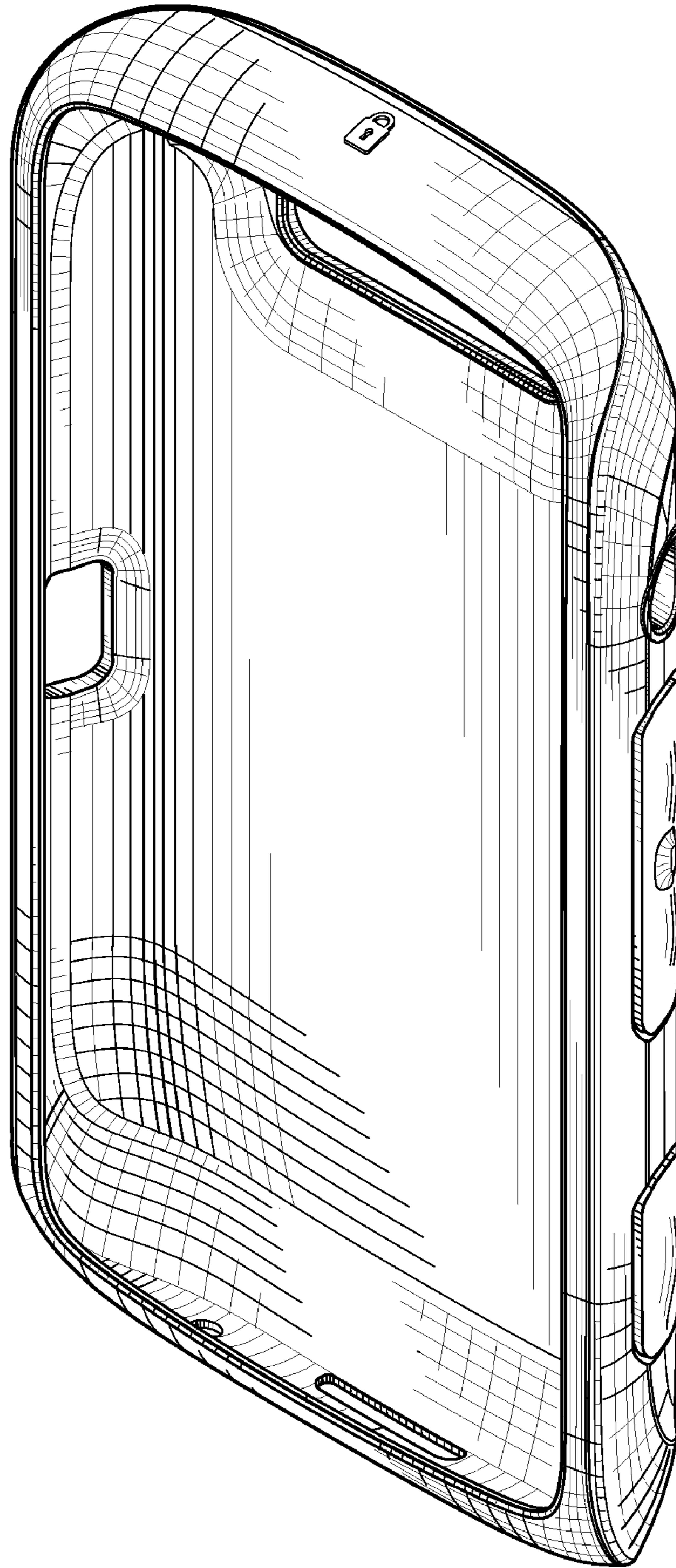


FIG. 1

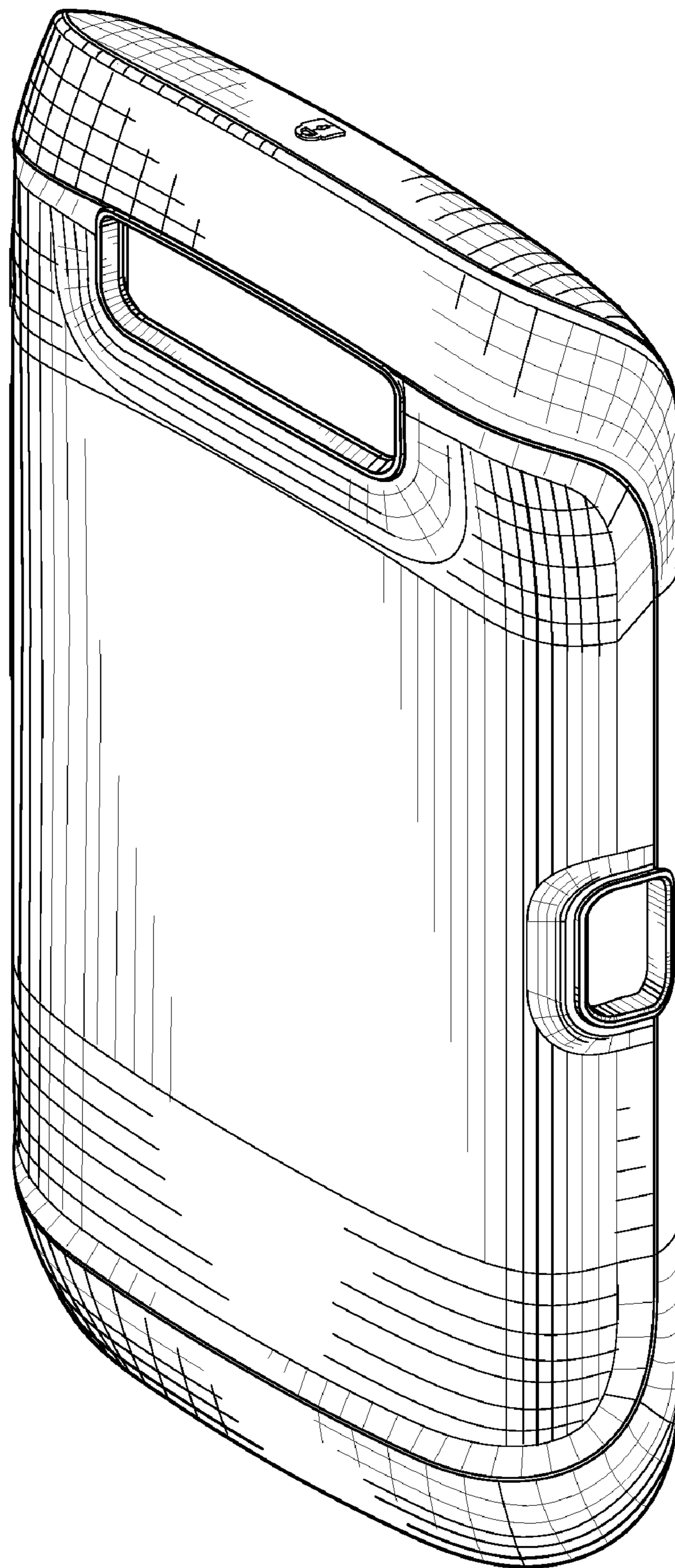


FIG.2

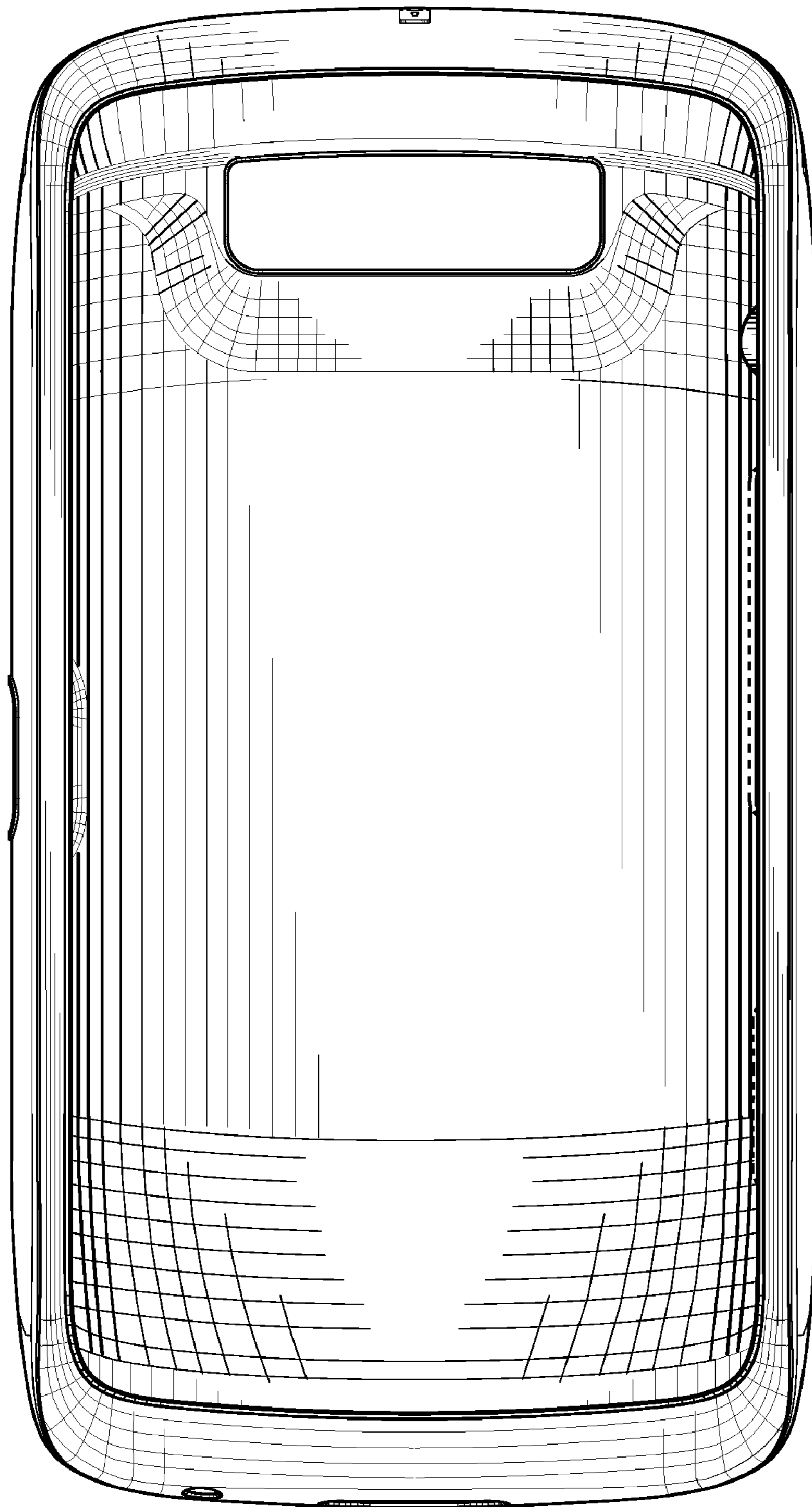


FIG.3

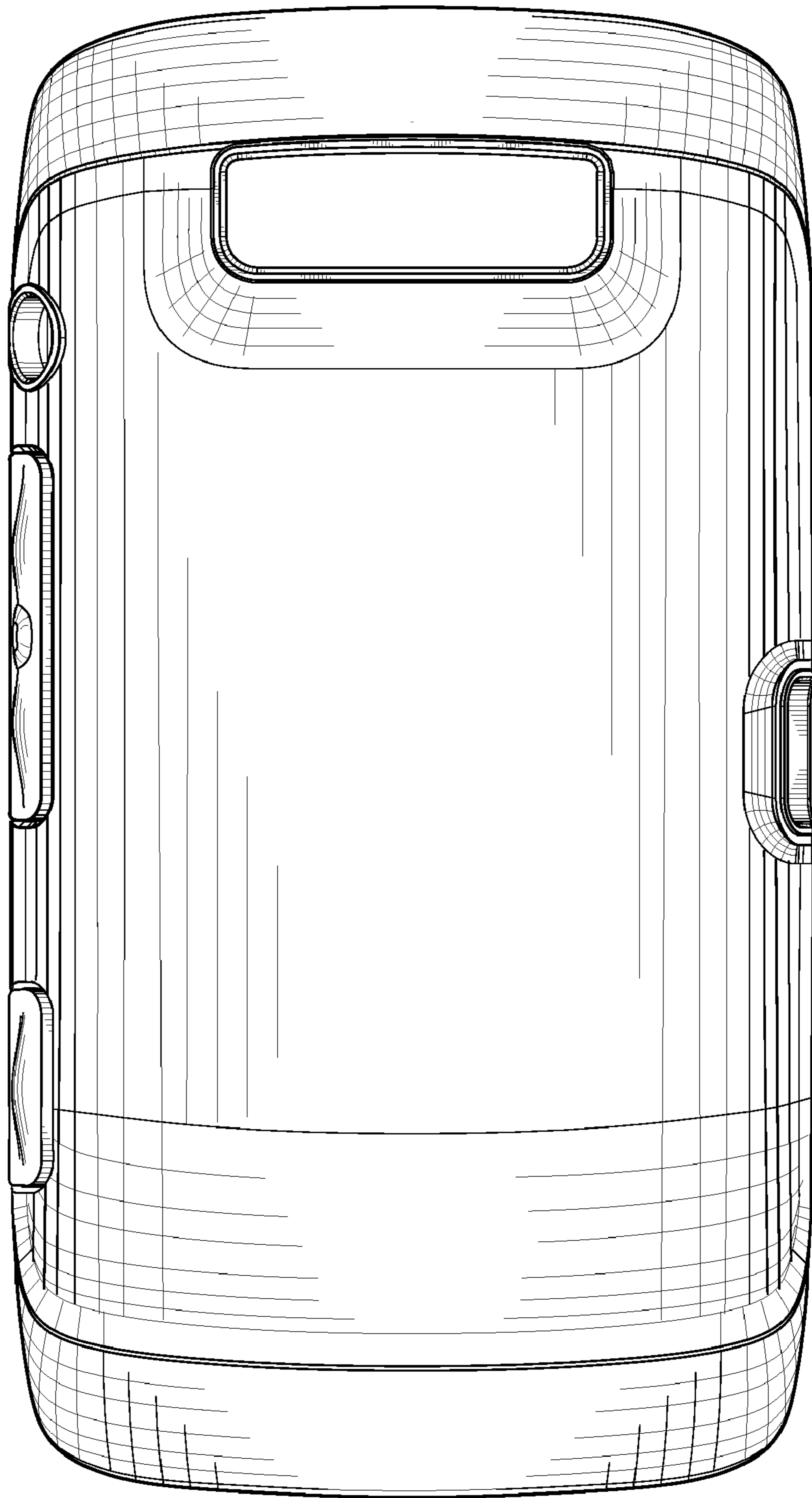


FIG.4

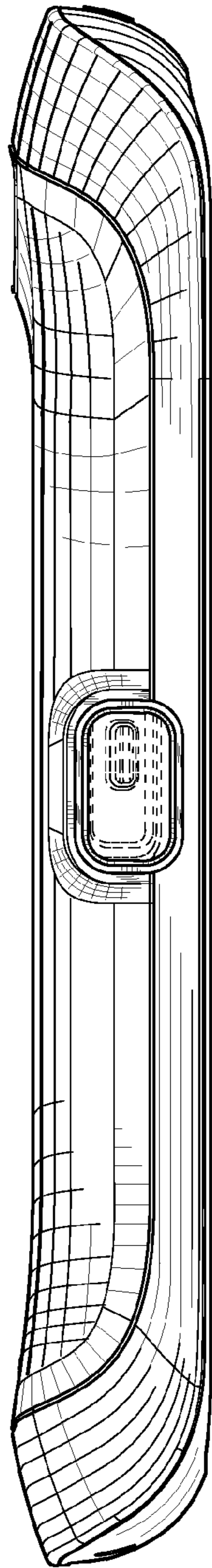


FIG. 5

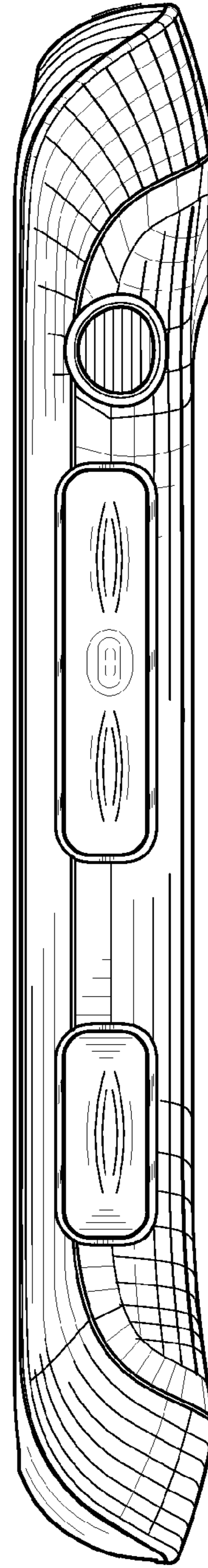


FIG. 6

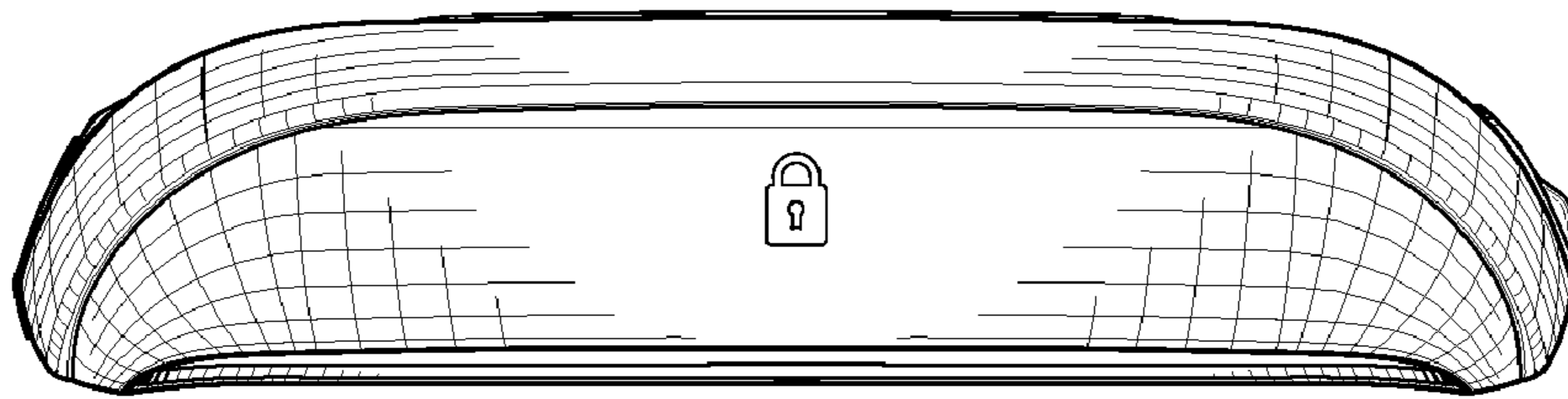


FIG. 7

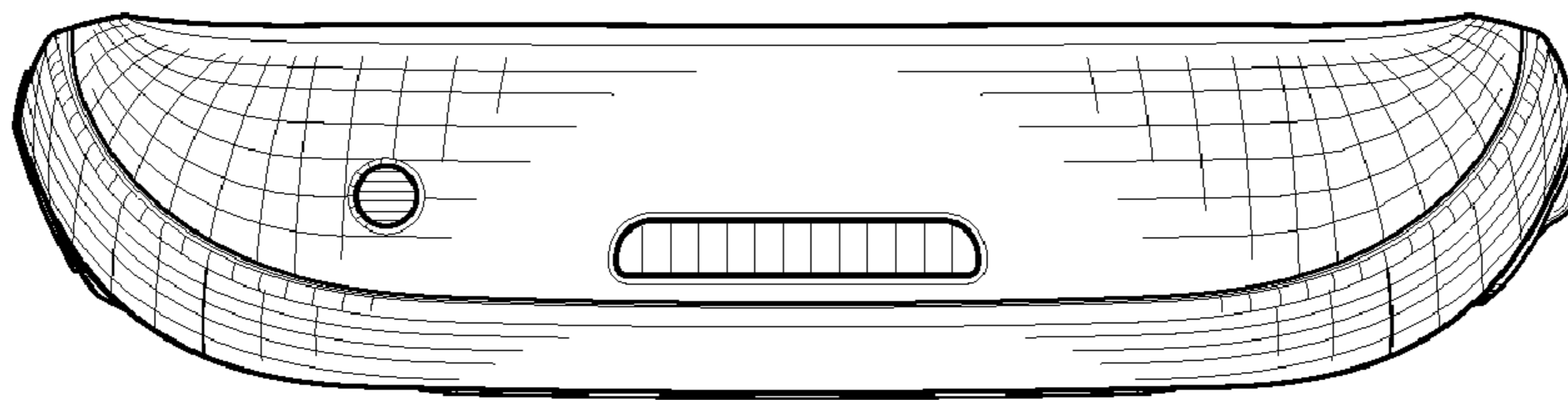


FIG. 8