

US00D663294S

(12) **United States Design Patent**  
**Buxton**

(10) **Patent No.:** **US D663,294 S**  
(45) **Date of Patent:** **\*\* Jul. 10, 2012**

(54) **INTEGRATED FRAME/STAND FOR PORTABLE ELECTRONIC DEVICES**

(76) Inventor: **Pierce Alfred Buxton**, San Francisco, CA (US)

(\*\*) Term: **14 Years**

(21) Appl. No.: **29/353,073**

(22) Filed: **Dec. 31, 2009**

**Related U.S. Application Data**

(63) Continuation-in-part of application No. 12/554,710, filed on Sep. 4, 2009.

(51) **LOC (9) Cl.** ..... **14-03**

(52) **U.S. Cl.** ..... **D14/250**

(58) **Field of Classification Search** ..... D14/250–253, D14/440, 203.3–203.7, 217, 496, 248, 238.1, D14/447; D3/201, 218, 269, 301, 273, 303; D13/103, 107–108, 168; 220/4.02; 248/309.1; 361/679.56, 679.55; 379/426, 433.11, 455; 455/575.1, 575.8; 190/100; 206/305, 320; D6/300, 310, 311

See application file for complete search history.

(56) **References Cited**

**U.S. PATENT DOCUMENTS**

D306,659	S *	3/1990	Mercandante	.....	D6/300
6,003,831	A *	12/1999	Coleman	.....	248/688
6,508,451	B1 *	1/2003	Blythe et al.	.....	248/688
D513,008	S *	12/2005	Takizawa et al.	.....	D14/447
7,301,759	B2 *	11/2007	Hsiung	.....	361/679.27
D559,230	S *	1/2008	Griffin et al.	.....	D14/217
D559,529	S *	1/2008	Griffin et al.	.....	D3/201
D569,630	S *	5/2008	Bradford	.....	D6/310
D575,056	S *	8/2008	Tan	.....	D3/218
7,484,326	B2 *	2/2009	Tamura et al.	.....	40/748
D587,896	S *	3/2009	Aipa	.....	D3/201
D594,849	S *	6/2009	Ko	.....	D14/217
7,673,745	B2 *	3/2010	Sirichai et al.	.....	206/45.23
D615,078	S *	5/2010	Bradley	.....	D14/250
D616,361	S *	5/2010	Huang	.....	D13/103
D622,716	S *	8/2010	Andre et al.	.....	D14/250
D623,640	S *	9/2010	Freeman	.....	D14/250

D624,065	S *	9/2010	Bosch et al.	.....	D14/250
D624,908	S *	10/2010	Huskinson	.....	D14/250
D626,538	S *	11/2010	Brown et al.	.....	D14/250
D637,583	S *	5/2011	Beal et al.	.....	D14/217
D638,006	S *	5/2011	Chang	.....	D14/250
D640,247	S *	6/2011	Baumann et al.	.....	D14/253
D640,707	S *	6/2011	Yeh	.....	D14/447
D641,558	S *	7/2011	Jedrey	.....	D6/310
2010/0090085	A1 *	4/2010	Corrion	.....	248/459

**OTHER PUBLICATIONS**

Premium Amazon Kindle 3 Hard Case w/ Silicone Lining and Detachable Swivel Stand, <URL:http://www.accessorygeeks.com/amazon-kindle-3-hard-case-skin-stand-white-black.html>, retrieved from internet Nov. 7, 2011.\*

TPU/Polycarbonate Case for Samsung Galaxy Tab with Built in Stand, retrieved from internet Nov. 7, 2011, <URL:http://www.cyberguys.com/product-details/?productid=50903&utm\_term=215%2B0949&sk=MC2422&cm\_mmc=GAN-\_-Link-\_-Cyberguys-\_-Link&utm\_source=google-affiliate-network&utm\_medium=affiliate&utm\_campaign=partner&PFID=k53904&clickid=0004b11fe8ddf5e70ae0 >.\*

\* cited by examiner

*Primary Examiner* — Carla Wright

(74) *Attorney, Agent, or Firm* — Murphy & King, P.C.

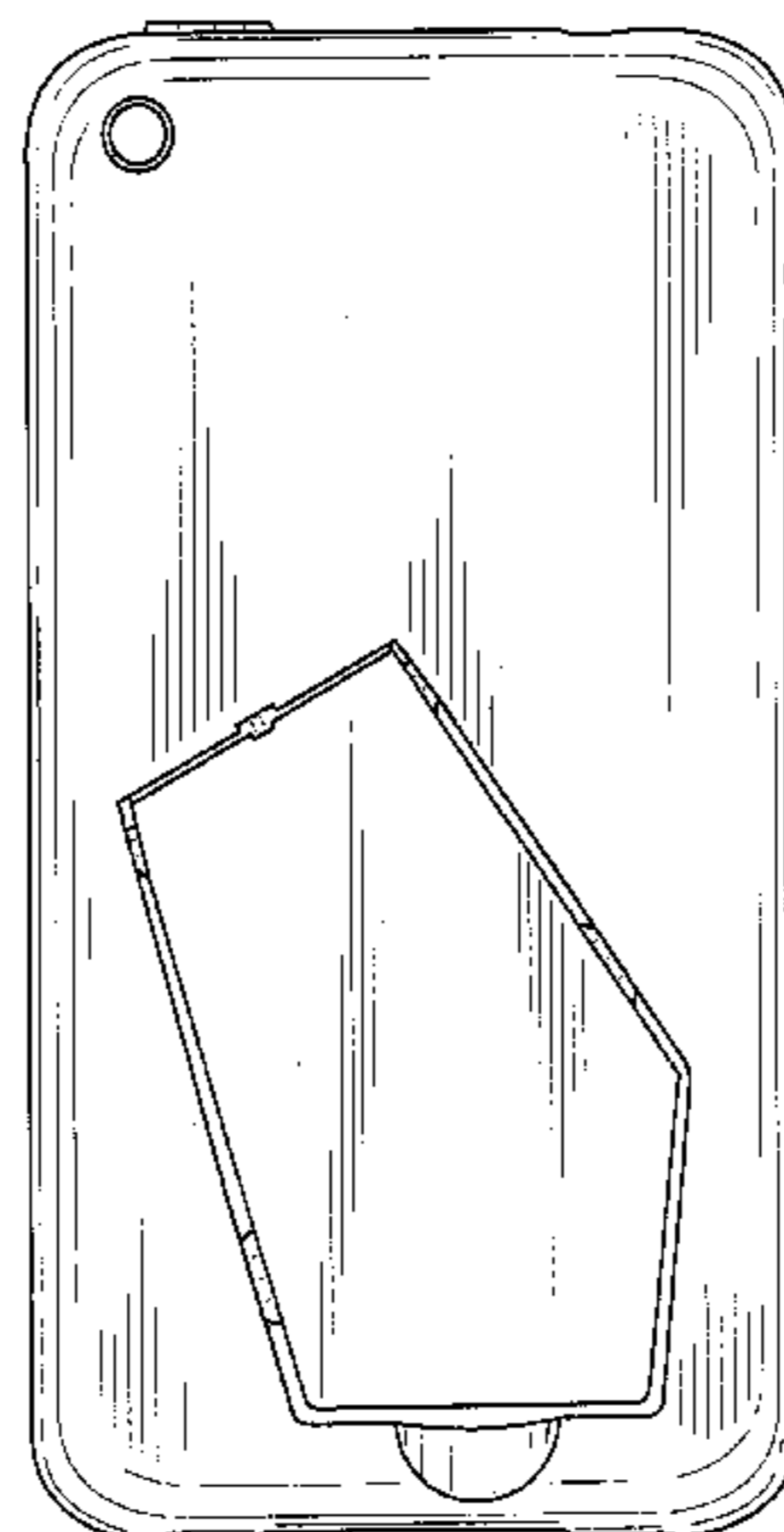
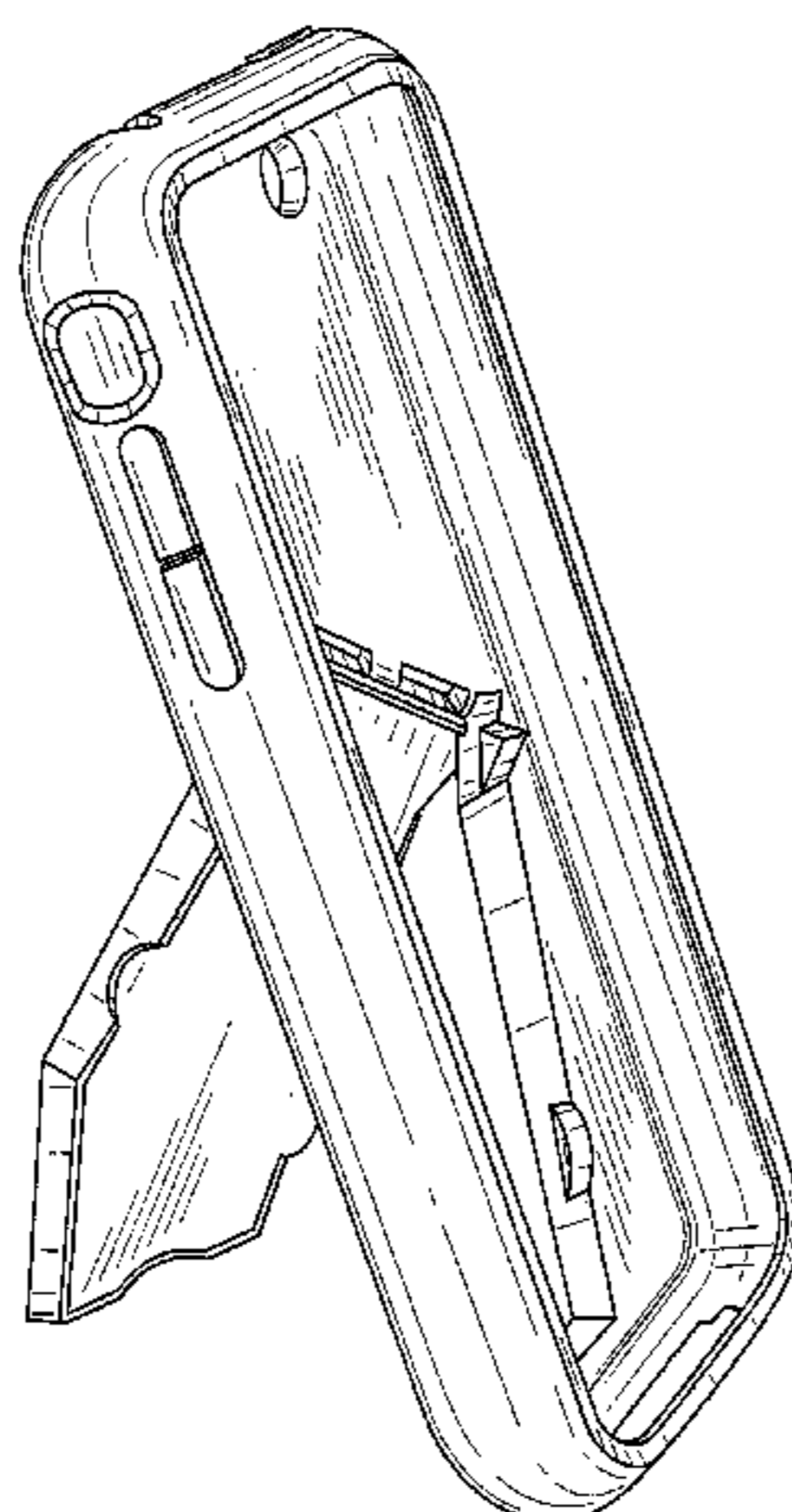
(57) **CLAIM**

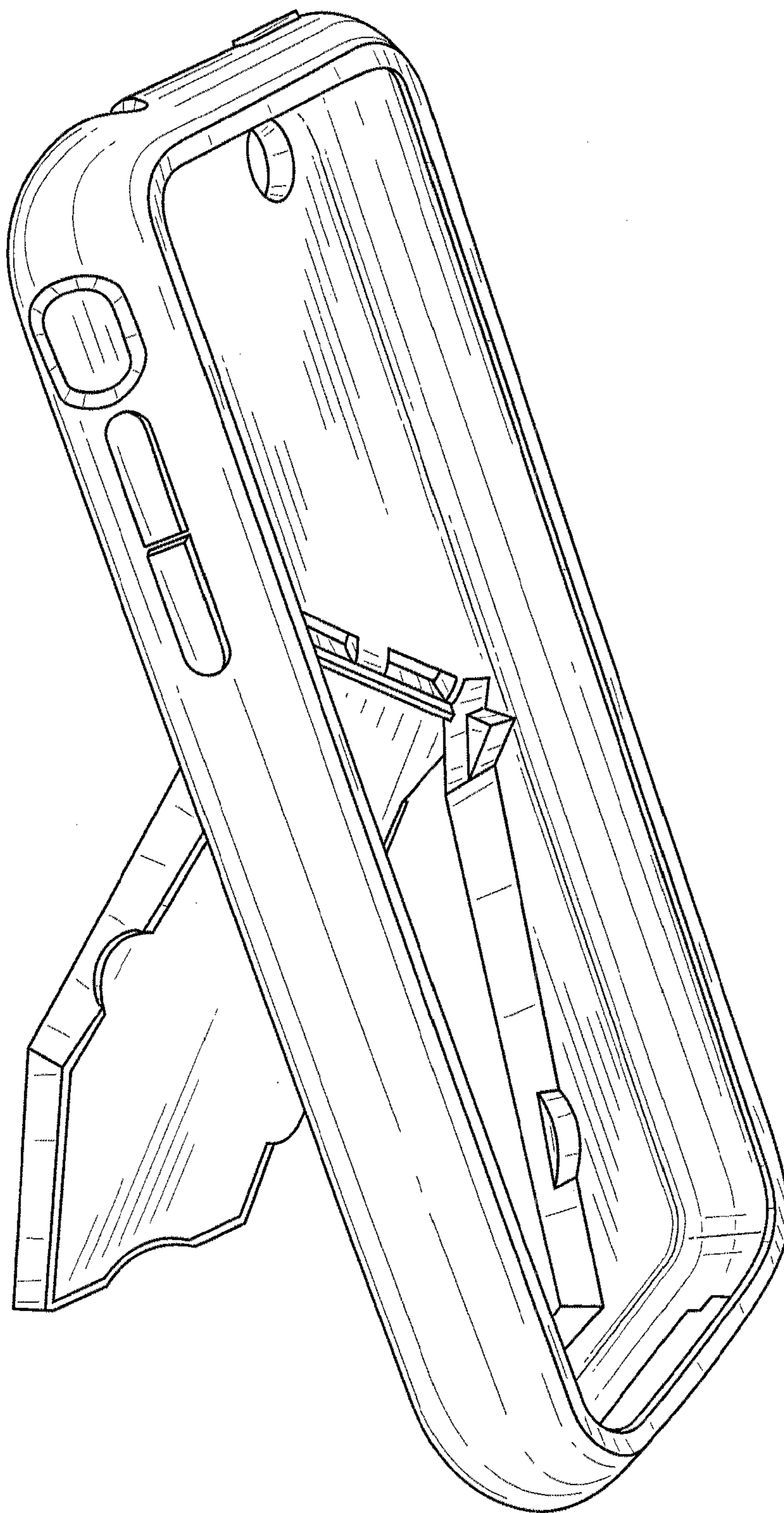
The ornamental design for an integrated frame/stand for portable electronic devices, as shown and described.

**DESCRIPTION**

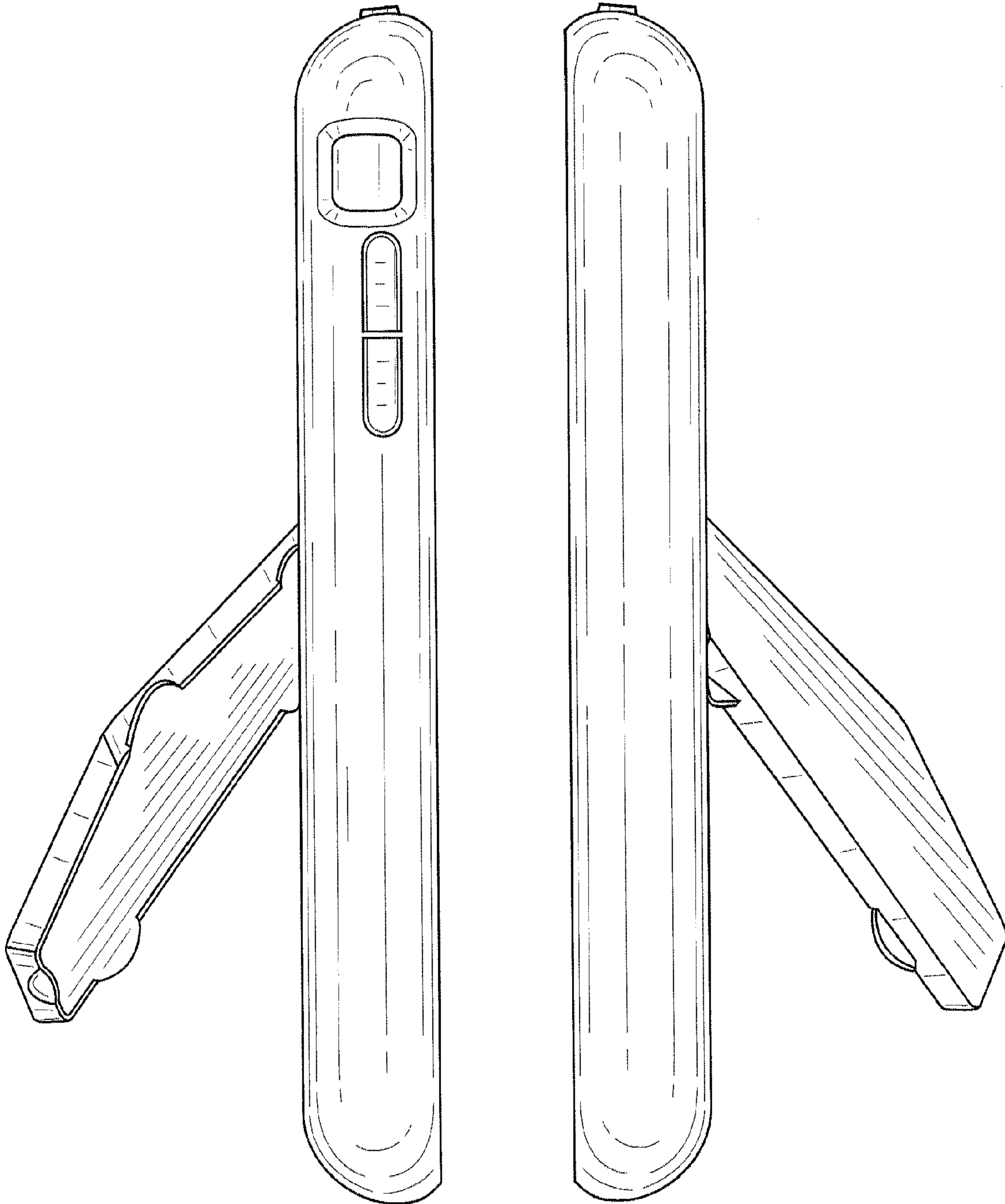
FIG. 1 is a perspective view of an integrated frame/stand for portable electronic devices showing my new design with the stand in a position of use; FIG. 2 is a left side elevation view thereof; FIG. 3 is a right side elevation view thereof; FIG. 4 is a rear perspective view thereof; FIG. 5 is another rear perspective view thereof; FIG. 6 is a front elevation view thereof showing the stand in a stowed position; FIG. 7 is a top plan view thereof; FIG. 8 is a bottom plan view thereof; and, FIG. 9 is a back elevation view thereof.

**1 Claim, 7 Drawing Sheets**



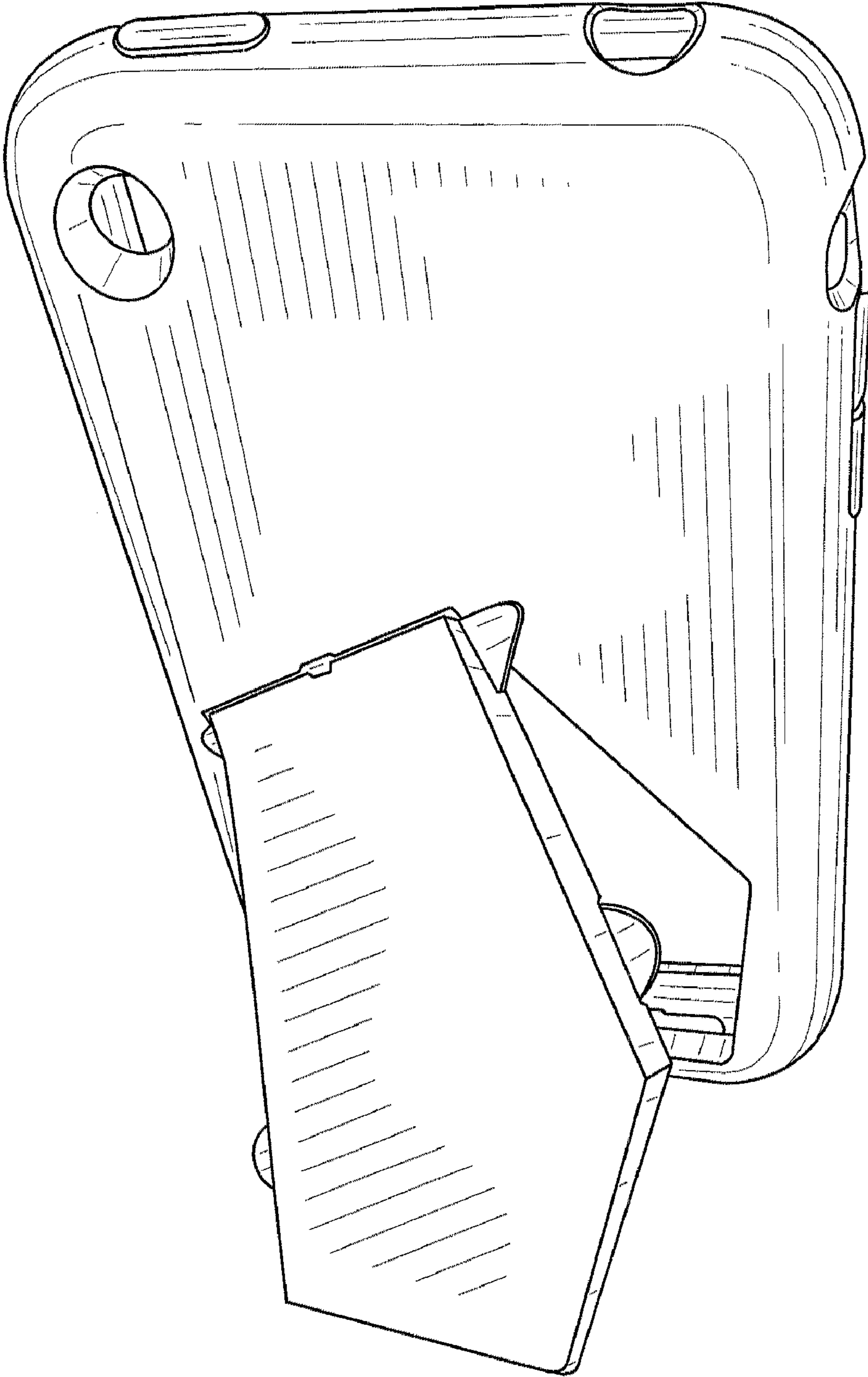


**FIG. 1**

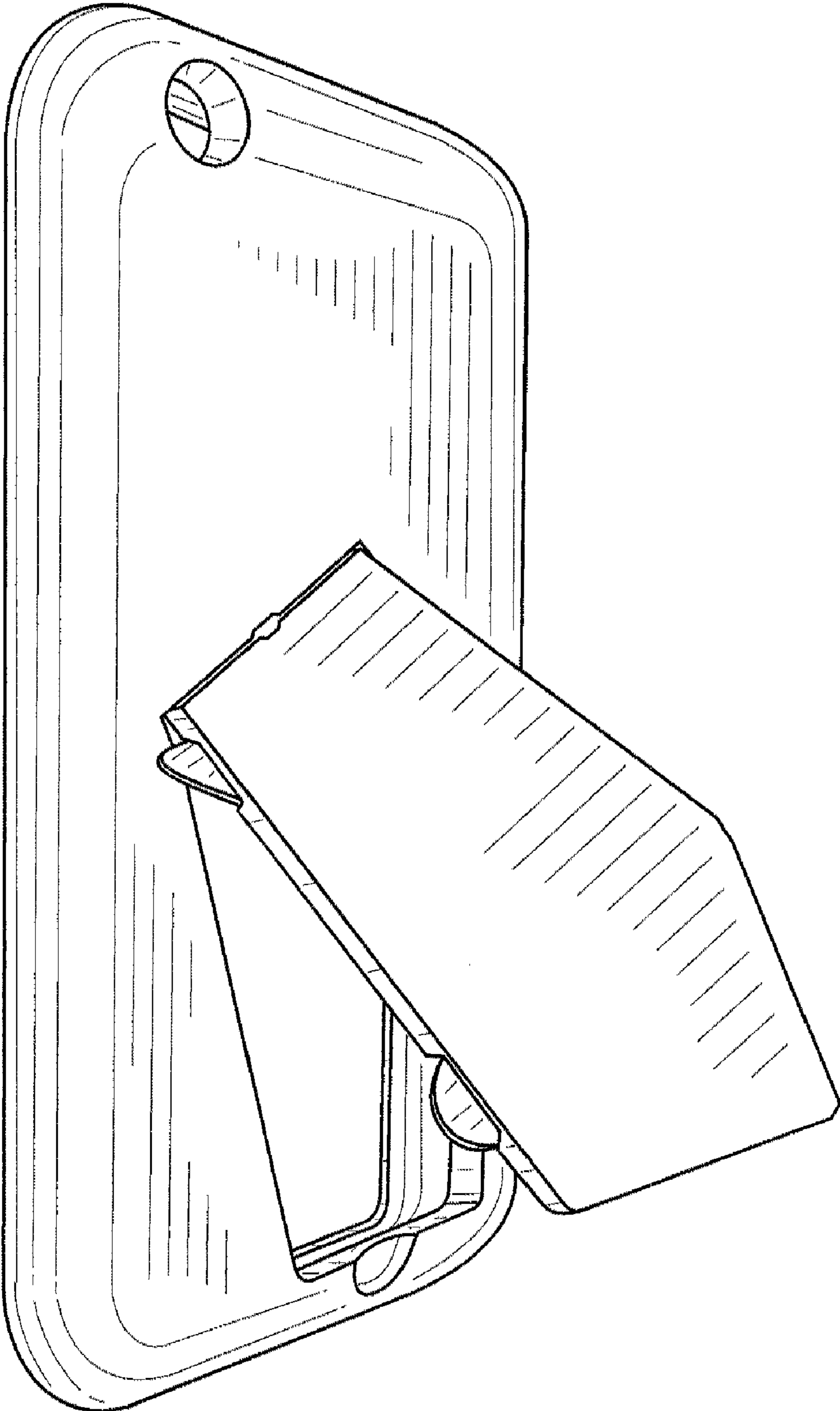


**FIG. 2**

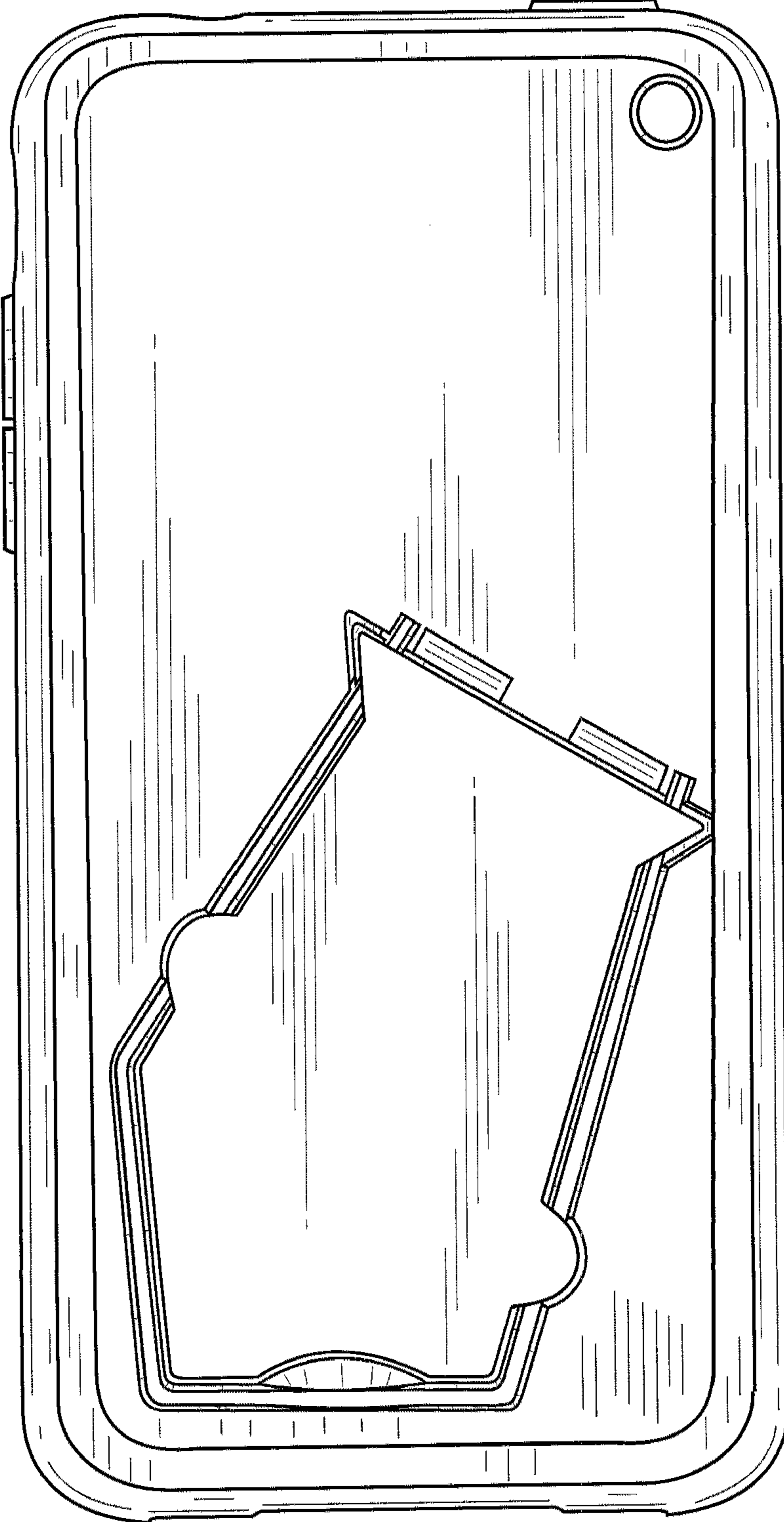
**FIG. 3**



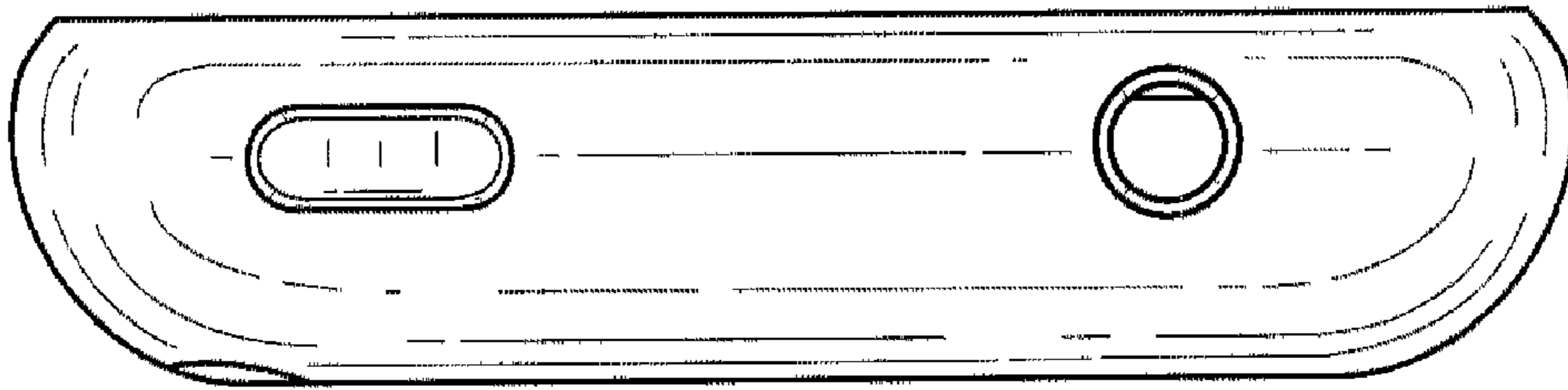
**FIG. 4**



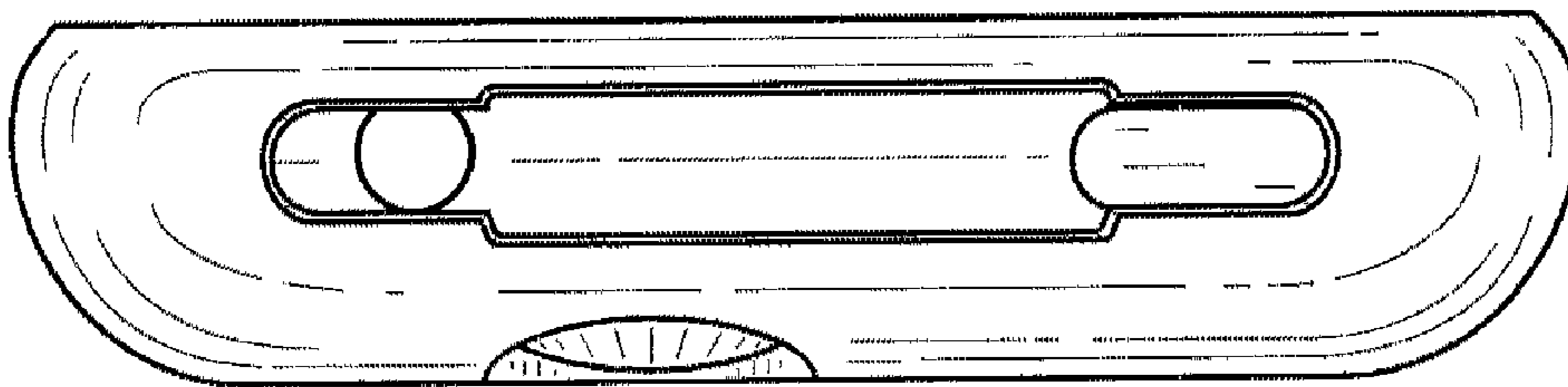
**FIG. 5**



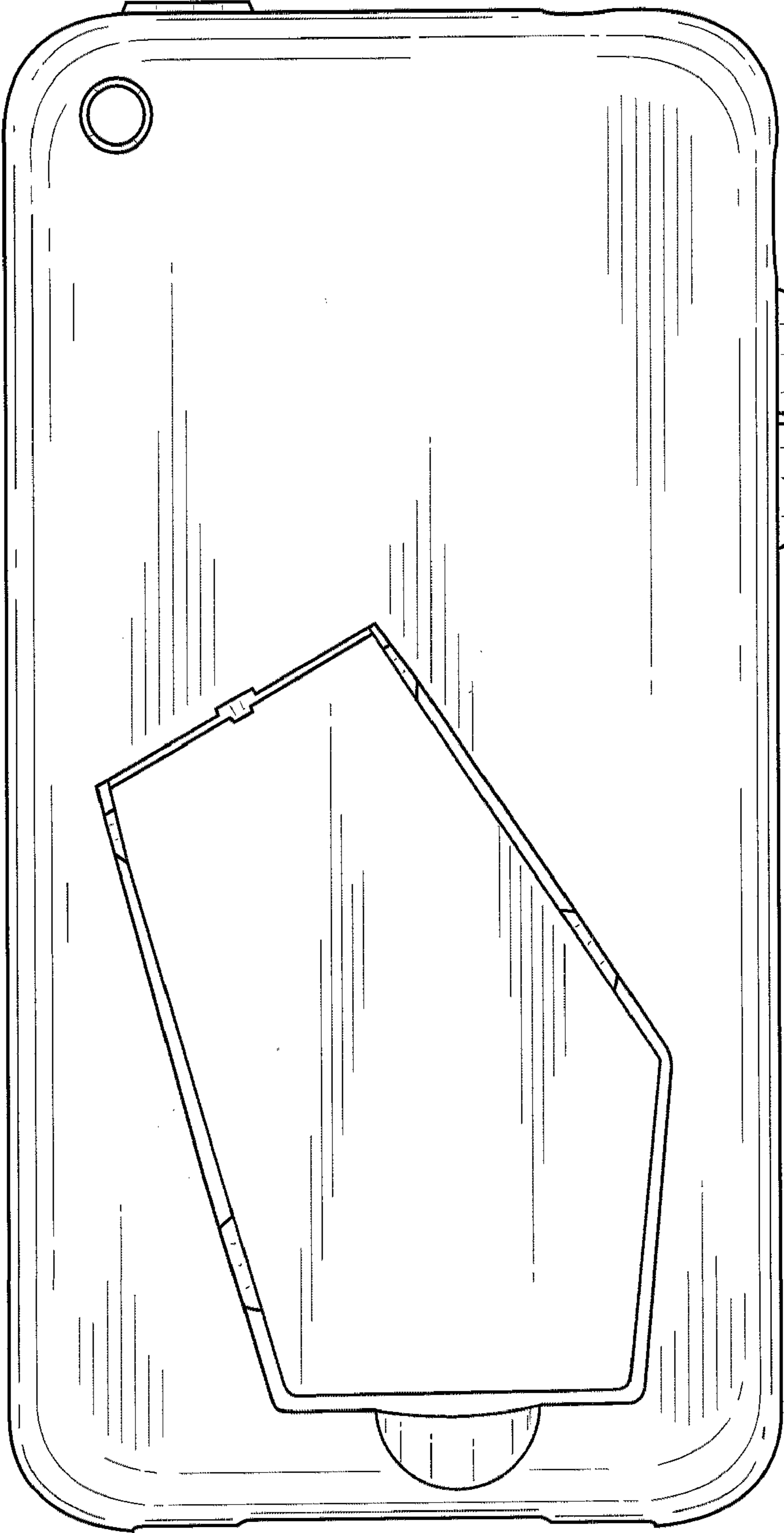
**FIG. 6**



**FIG. 7**



**FIG. 8**



**FIG. 9**