



US00D663292S

(12) **United States Design Patent**
Hoggarth

(10) **Patent No.:** **US D663,292 S**
(45) **Date of Patent:** **** Jul. 10, 2012**

(54) **BASE FOR HEADSET**

(75) Inventor: **Marcus Hoggarth**, London (GB)

(73) Assignee: **GN Netcom A/S** (DK)

(**) Term: **14 Years**

(21) Appl. No.: **29/401,801**

(22) Filed: **Sep. 15, 2011**

(30) **Foreign Application Priority Data**

Mar. 21, 2011 (EM) 001838293-0001

(51) **LOC (9) Cl.** **14-01**

(52) **U.S. Cl.** **D14/224**

(58) **Field of Classification Search** D14/205,
D14/206, 223, 224, 224.1, 217, 149, 447,
D14/253, 155; 181/129, 130, 135; 379/430,
379/431; 381/380, 381; 439/534; 320/115;
455/90.3; D13/108, 107, 110

See application file for complete search history.

(56) **References Cited**

U.S. PATENT DOCUMENTS

5,095,382 A * 3/1992 Abe 398/202
D355,913 S * 2/1995 Chong D14/168
D357,248 S * 4/1995 Cheng D14/137
D462,342 S * 9/2002 Polito et al. D14/224
D496,029 S * 9/2004 Skulley et al. D14/224
D518,034 S * 3/2006 Lee D14/224
D519,975 S * 5/2006 Skulley et al. D14/149

D523,847 S * 6/2006 Naruki D14/224.1
D560,208 S * 1/2008 Skurdal et al. D14/214
D579,004 S * 10/2008 Bang et al. D14/223
D589,031 S * 3/2009 Bentley et al. D14/224
D593,998 S * 6/2009 Bentley et al. D14/224
D597,939 S * 8/2009 Tkachuk D13/108
D599,331 S * 9/2009 Bentley et al. D14/224
D602,008 S * 10/2009 Bentley et al. D14/224
D610,084 S * 2/2010 Christopher D13/107
D624,530 S * 9/2010 Hoggarth D14/224
D634,303 S * 3/2011 Beedham D14/217
D648,707 S * 11/2011 Akana et al. D14/217

OTHER PUBLICATIONS

Jabra Pro™ 9450 User Manual; 2011 GN Netcom A/S.

* cited by examiner

Primary Examiner — Paula Greene

(74) *Attorney, Agent, or Firm* — Altera Law Group, LLC

(57) **CLAIM**

The ornamental design for a base for headset, as shown and described.

DESCRIPTION

FIG. 1 is a perspective view of the base for headset.

FIG. 2 is a front view thereof.

FIG. 3 is a back view thereof.

FIG. 4 is a top view thereof.

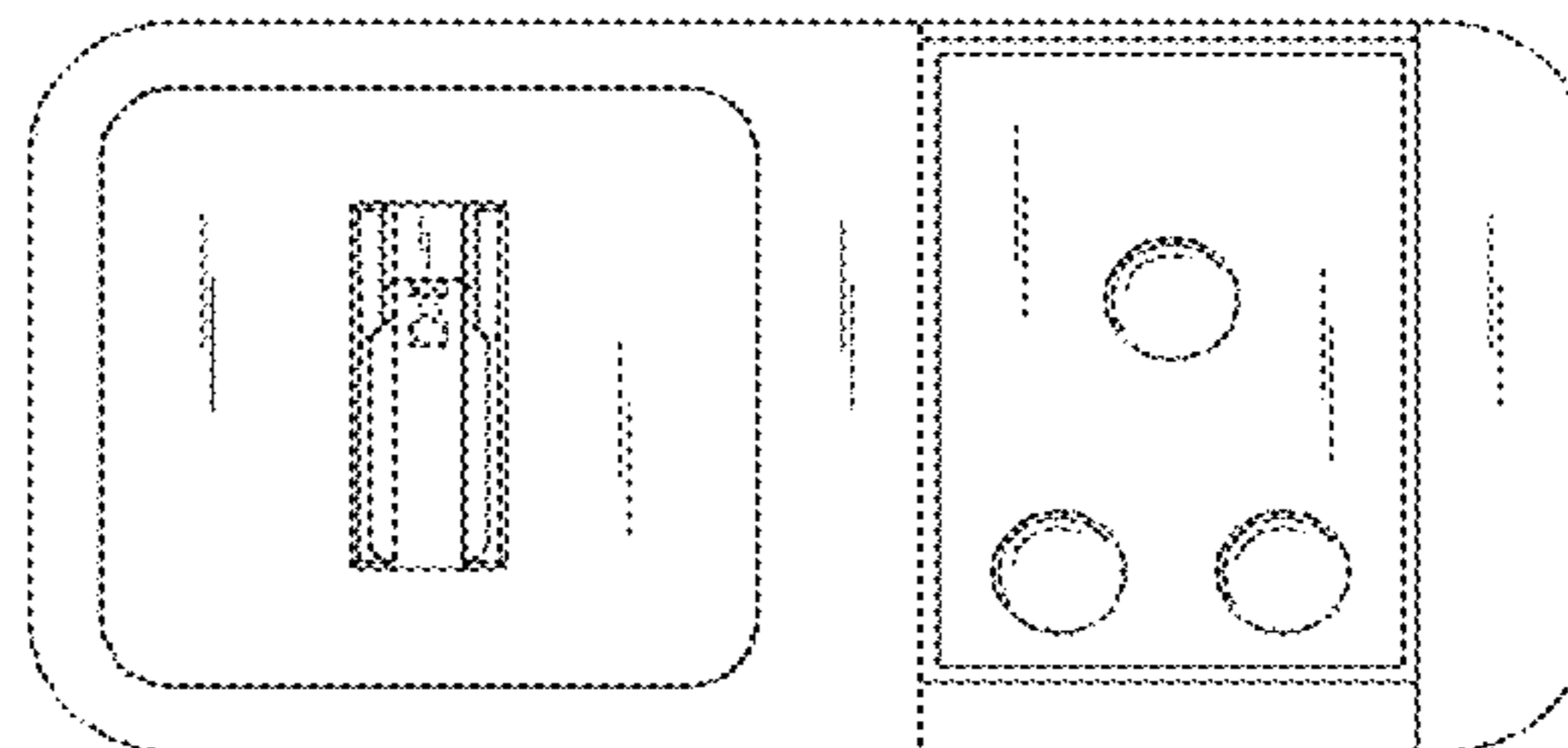
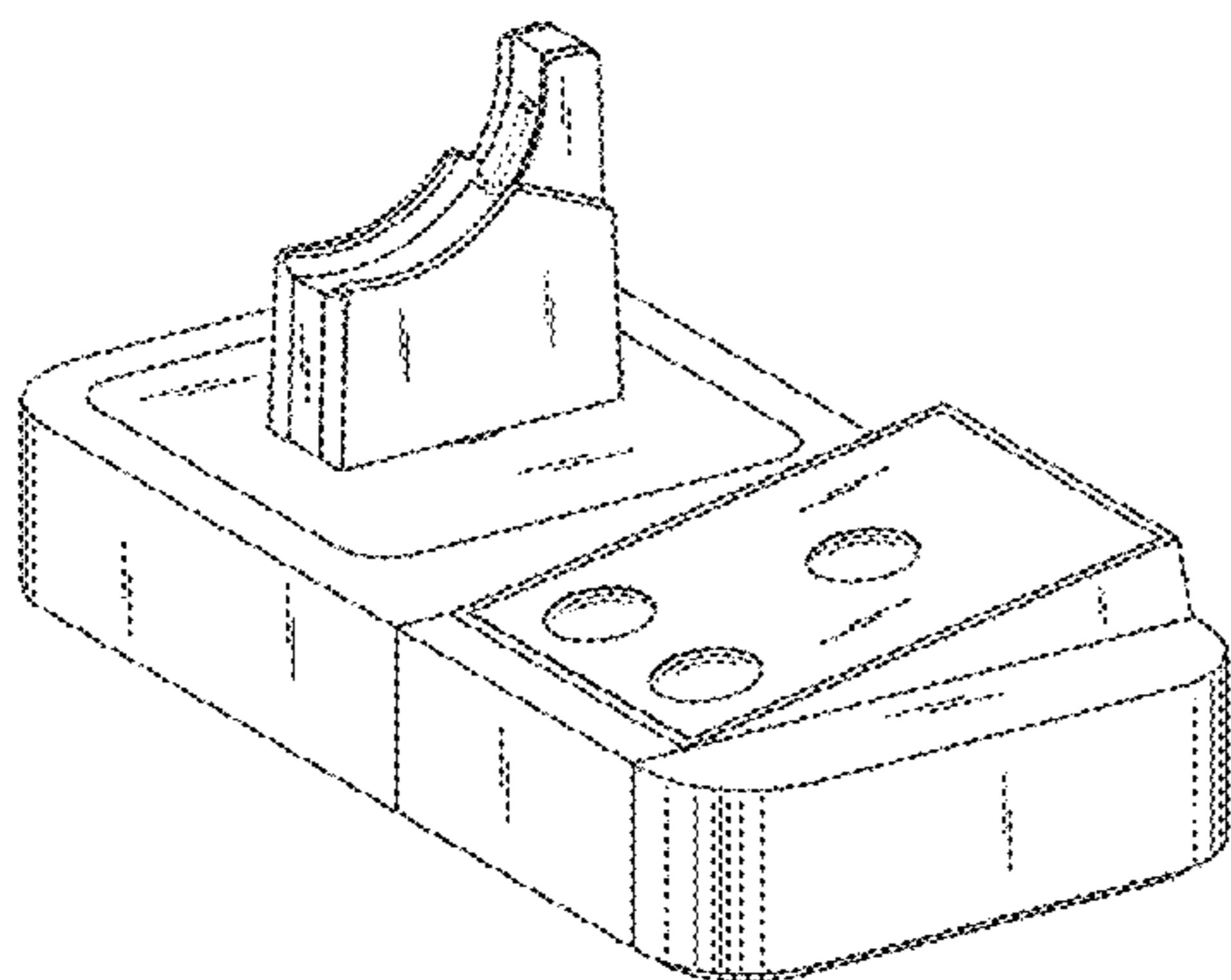
FIG. 5 is a bottom view thereof.

FIG. 6 is a side view thereof; and,

FIG. 7 is the other side view thereof.

The broken lines form no part of the claimed design.

1 Claim, 4 Drawing Sheets



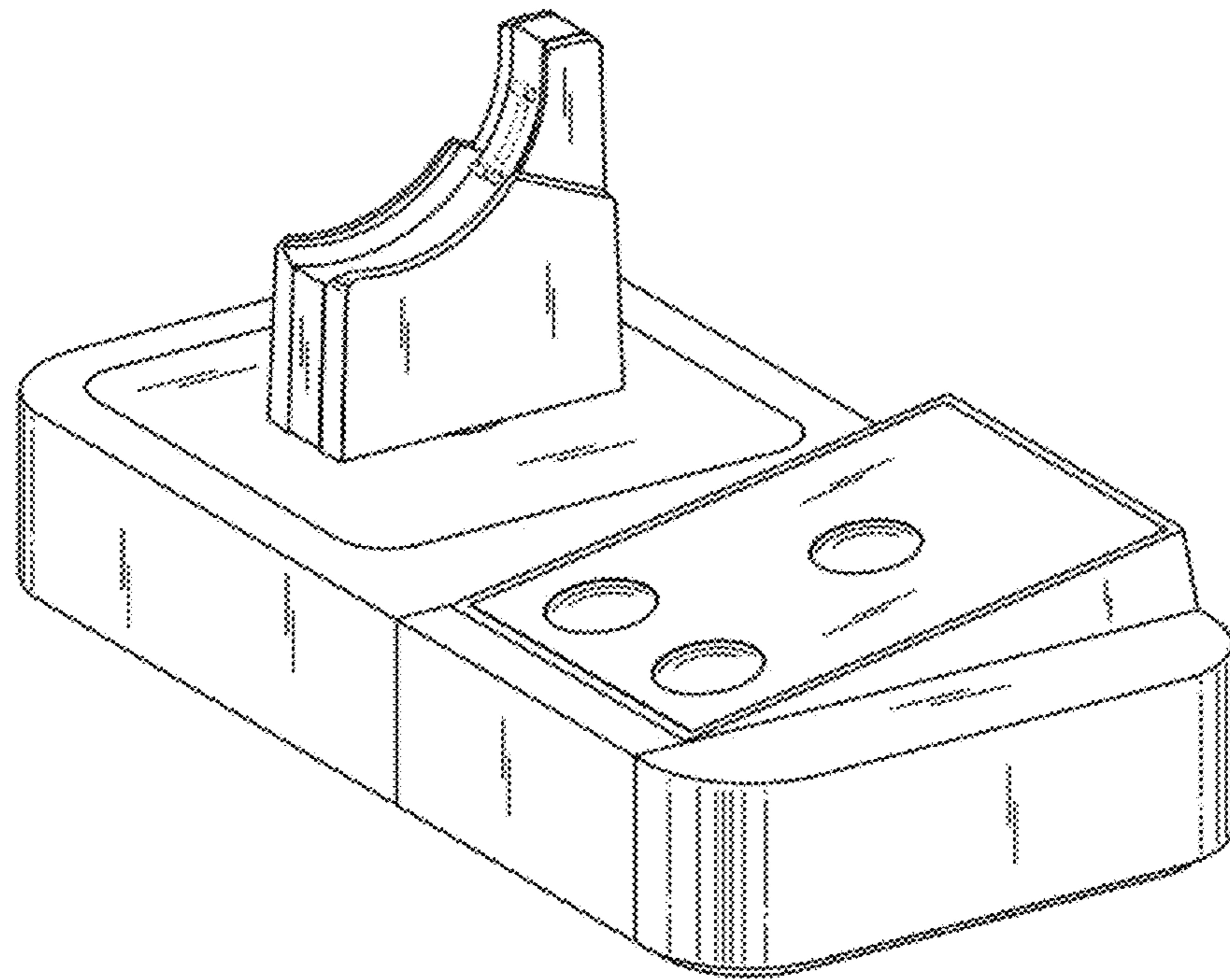


Fig. 1

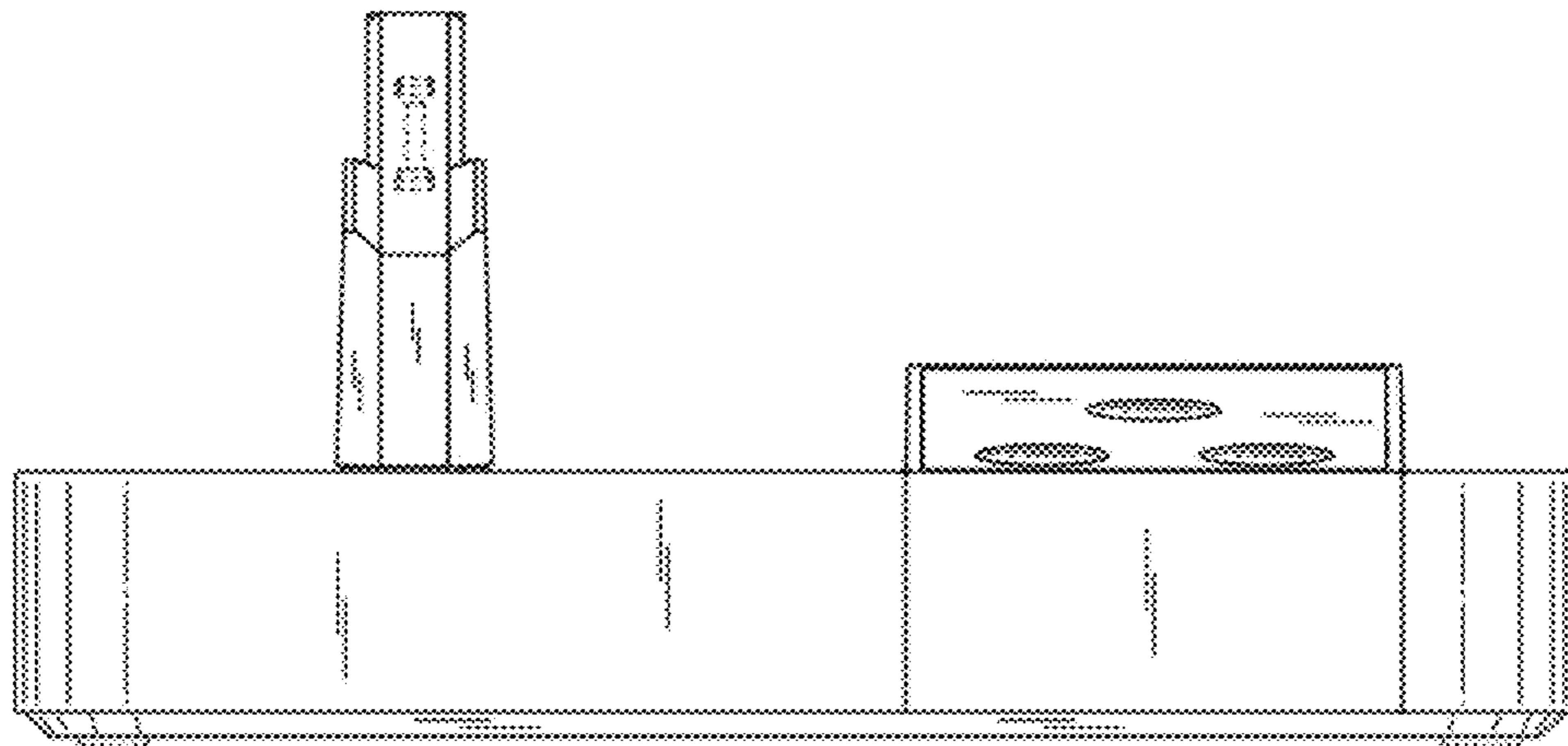


Fig. 2

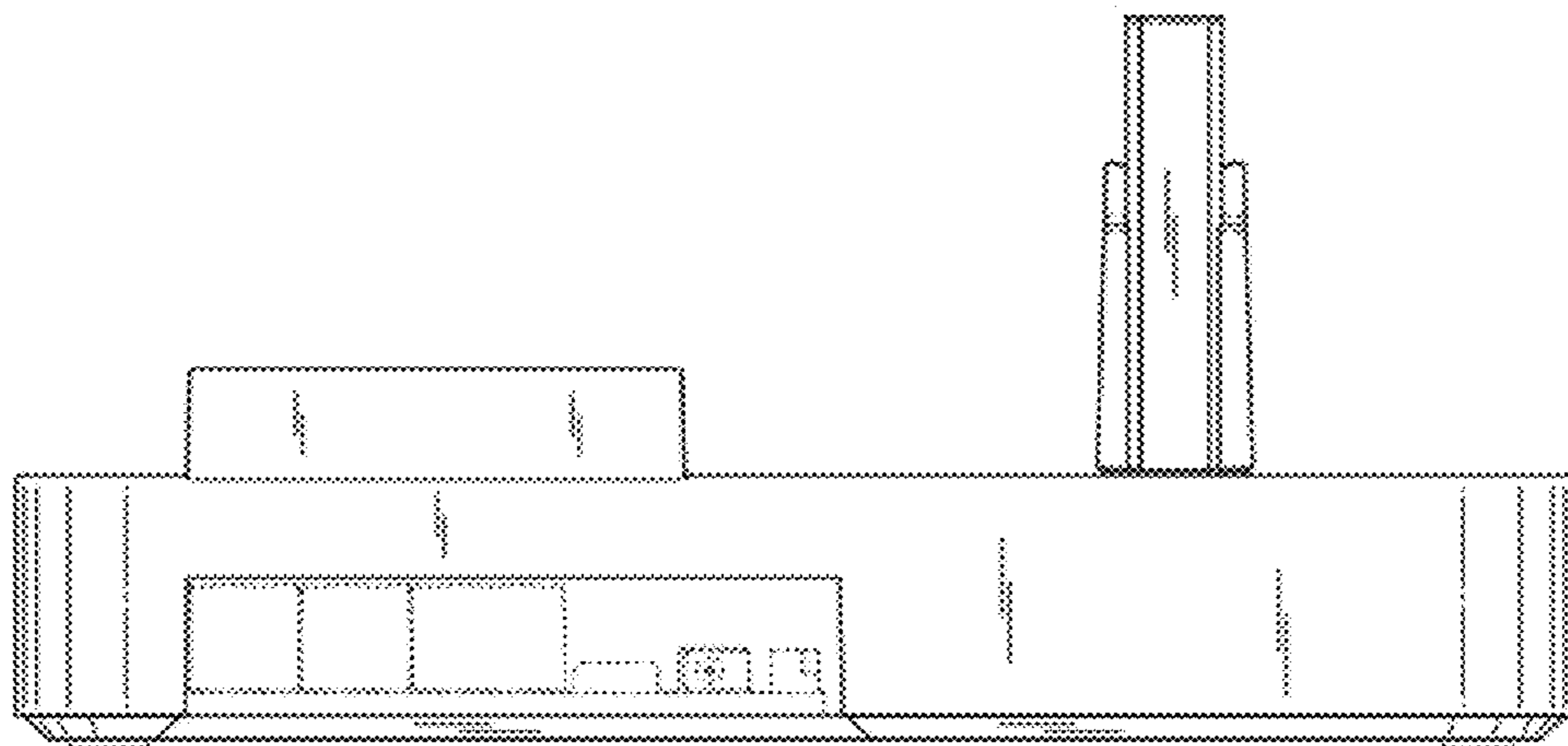


Fig. 3

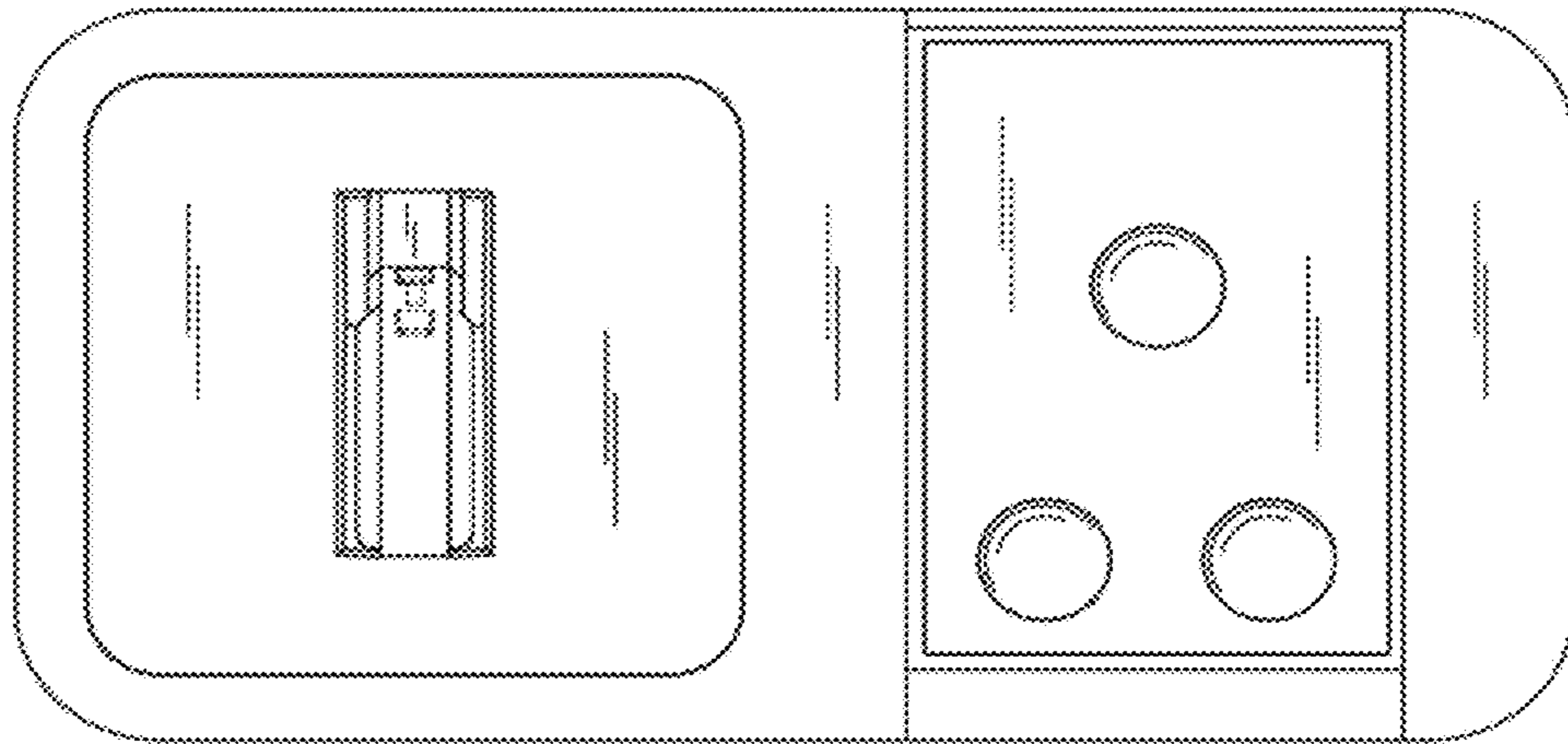


Fig. 4

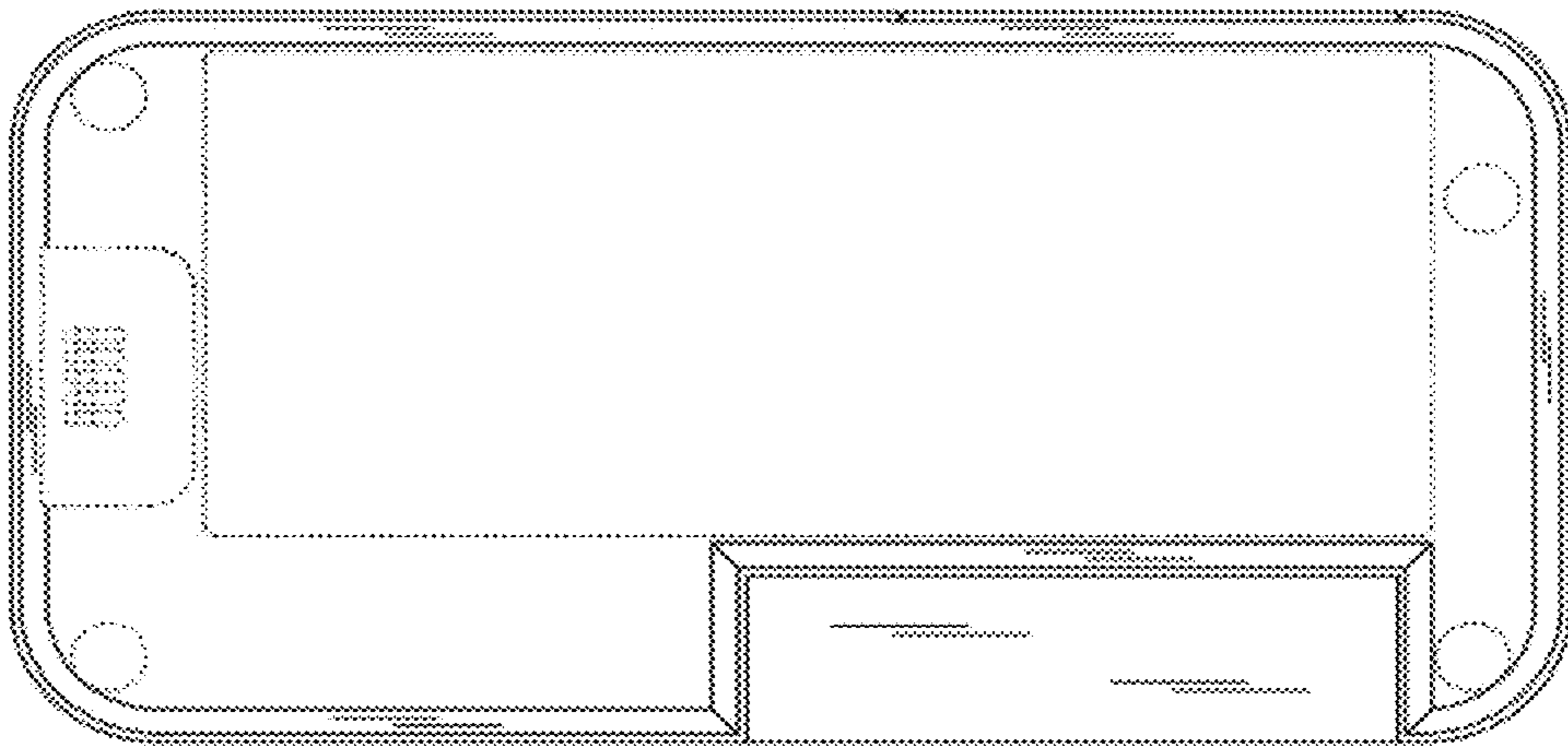


Fig. 5

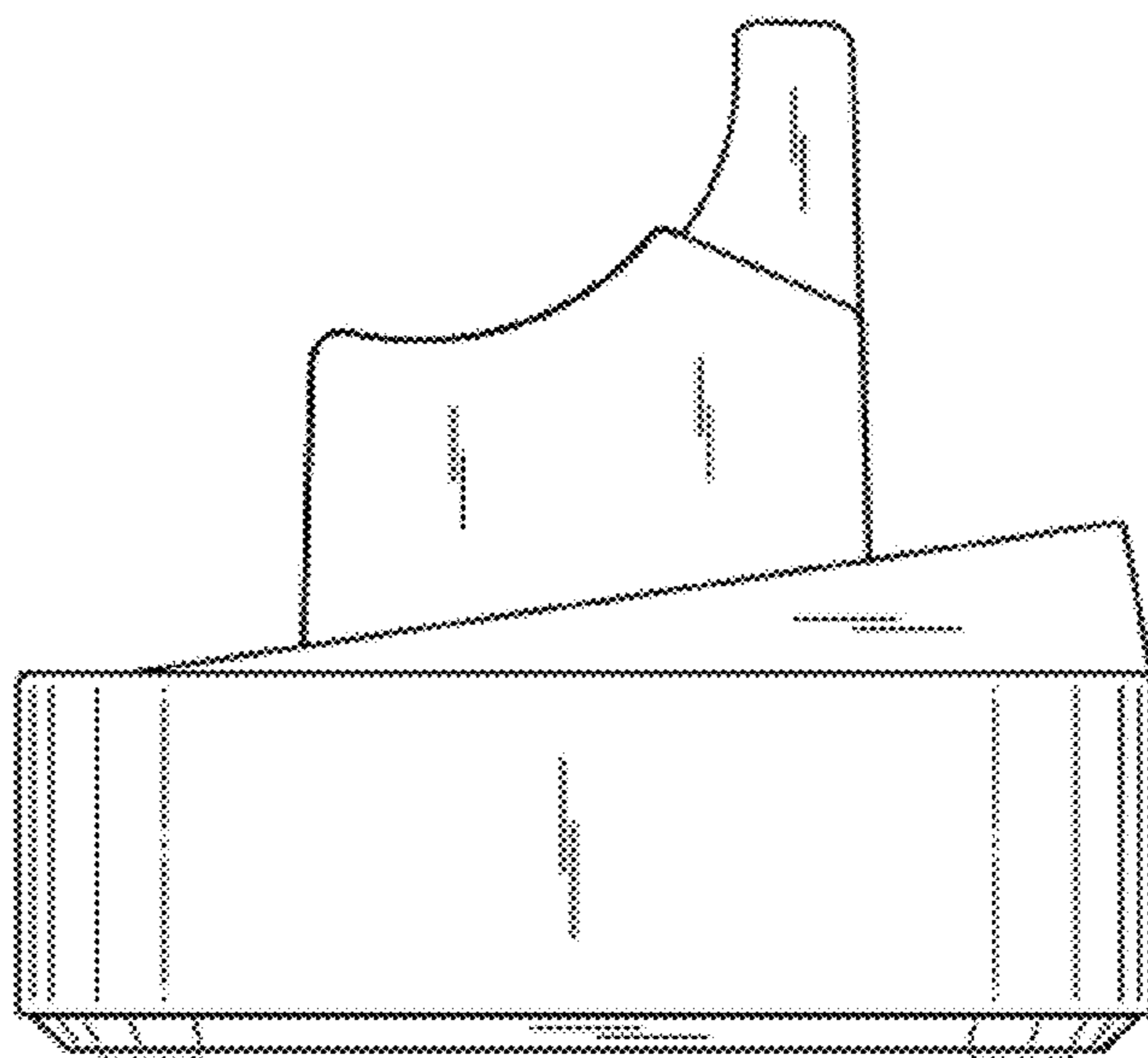


Fig. 6

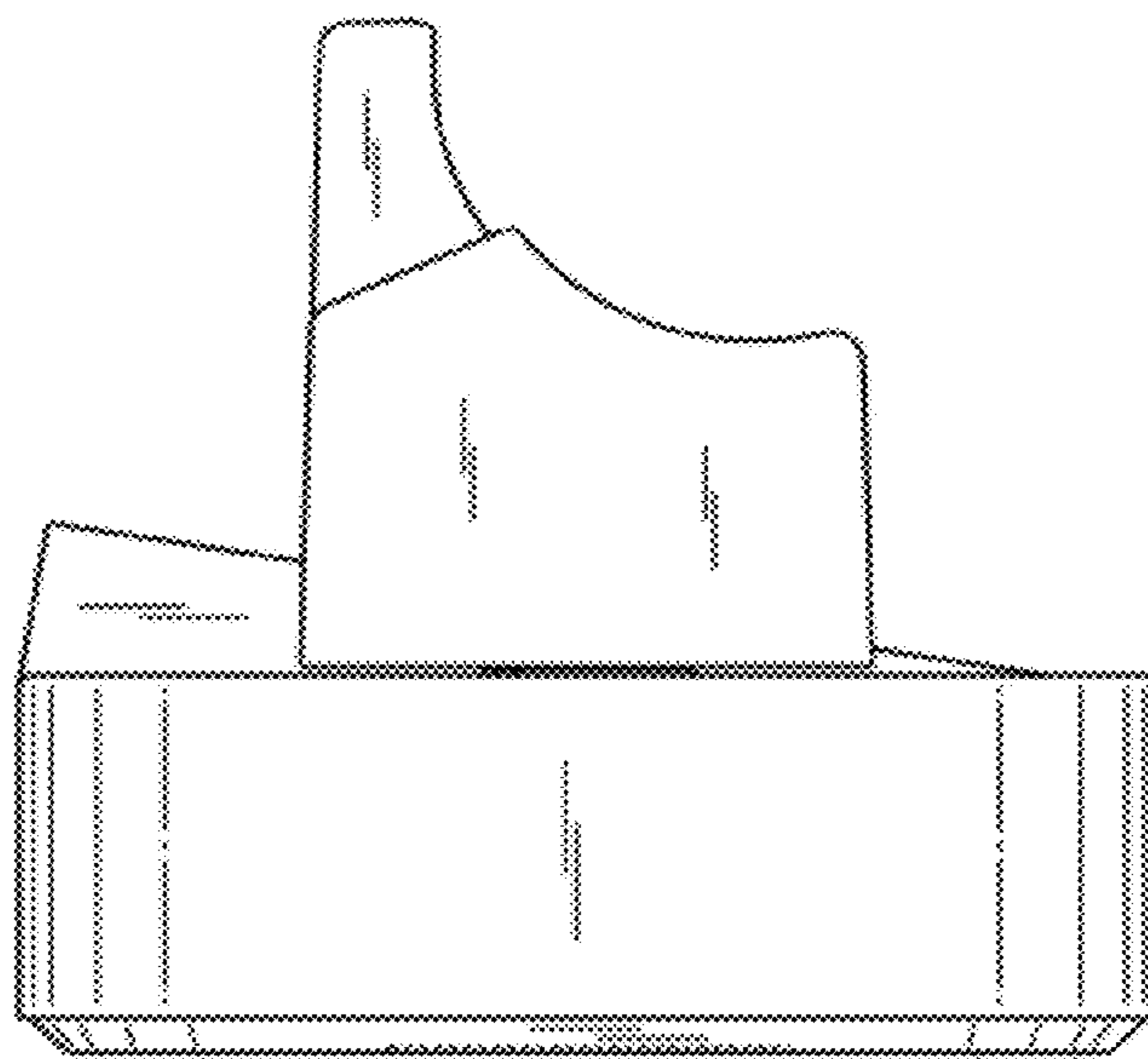


Fig. 7