

US00D663286S

(12) **United States Design Patent**
Morisawa

(10) **Patent No.:** **US D663,286 S**

(45) **Date of Patent:** **** Jul. 10, 2012**

(54) **HEADPHONE**

(75) Inventor: **Rui Morisawa**, Tokyo (JP)

(73) Assignee: **Sony Corporation**, Tokyo (JP)

(**) Term: **14 Years**

(21) Appl. No.: **29/347,870**

(22) Filed: **Jun. 30, 2010**

(30) **Foreign Application Priority Data**

Jan. 29, 2010 (CN) 2010 3 0114246

(51) **LOC (9) Cl.** **14-01**

(52) **U.S. Cl.** **D14/205**

(58) **Field of Classification Search** D14/205,
D14/206, 223; 181/129, 130, 135; 379/430,
379/431, 433.13; 381/380, 381; 455/90.3,
455/575.1; 24/3.12, 3.7, 180, 191; D11/216
See application file for complete search history.

(56) **References Cited**

U.S. PATENT DOCUMENTS

688,088	A *	12/1901	Bruce	297/375
1,263,605	A *	4/1918	Rust	24/180
1,508,411	A *	9/1924	Riker	24/191
3,097,406	A *	7/1963	Yarborough	24/3.7
3,805,334	A *	4/1974	Graup	24/70 SK
4,083,481	A *	4/1978	Selinko	224/670
D302,140	S *	7/1989	Johnston	D11/216
4,879,759	A *	11/1989	Matsumoto et al.	455/348
5,081,709	A *	1/1992	Benyo et al.	455/348
D358,390	S	5/1995	Hayashi		
5,764,760	A *	6/1998	Grandbert et al.	379/433.13
5,809,403	A *	9/1998	MacDonald et al.	455/575.7
5,819,162	A *	10/1998	Spann et al.	455/575.5

5,930,353	A *	7/1999	Lee et al.	379/433.05
D420,356	S	2/2000	Suzuki		
D538,390	S *	3/2007	Sallick et al.	D23/213
D539,267	S	3/2007	Komiyama		
D616,418	S *	5/2010	Morisawa	D14/205
D633,472	S *	3/2011	Hirano et al.	D14/205
D634,731	S *	3/2011	Morisawa	D14/205
D635,957	S *	4/2011	Hirano et al.	D14/205
D636,377	S *	4/2011	Morisawa	D14/205

FOREIGN PATENT DOCUMENTS

JP	D1318182	S	12/2007
JP	D1335550	S	7/2008
JP	D1352163	S	3/2009
JP	D1352588	S	3/2009

* cited by examiner

Primary Examiner — Paula Greene

(74) *Attorney, Agent, or Firm* — Rader, Fishman & Grauer PLLC

(57) **CLAIM**

The ornamental design for a headphone, as shown and described.

DESCRIPTION

FIG. 1 is a perspective view of an embodiment of a headphone showing my new design;
FIG. 2 is a front elevational view thereof;
FIG. 3 is a rear elevational view thereof;
FIG. 4 is a left side elevational view thereof;
FIG. 5 is a right side elevational view thereof; and,
FIG. 6 is a top plan view thereof.
Portions in broken lines are for illustrative purposes only and form no part of claimed design.

1 Claim, 6 Drawing Sheets

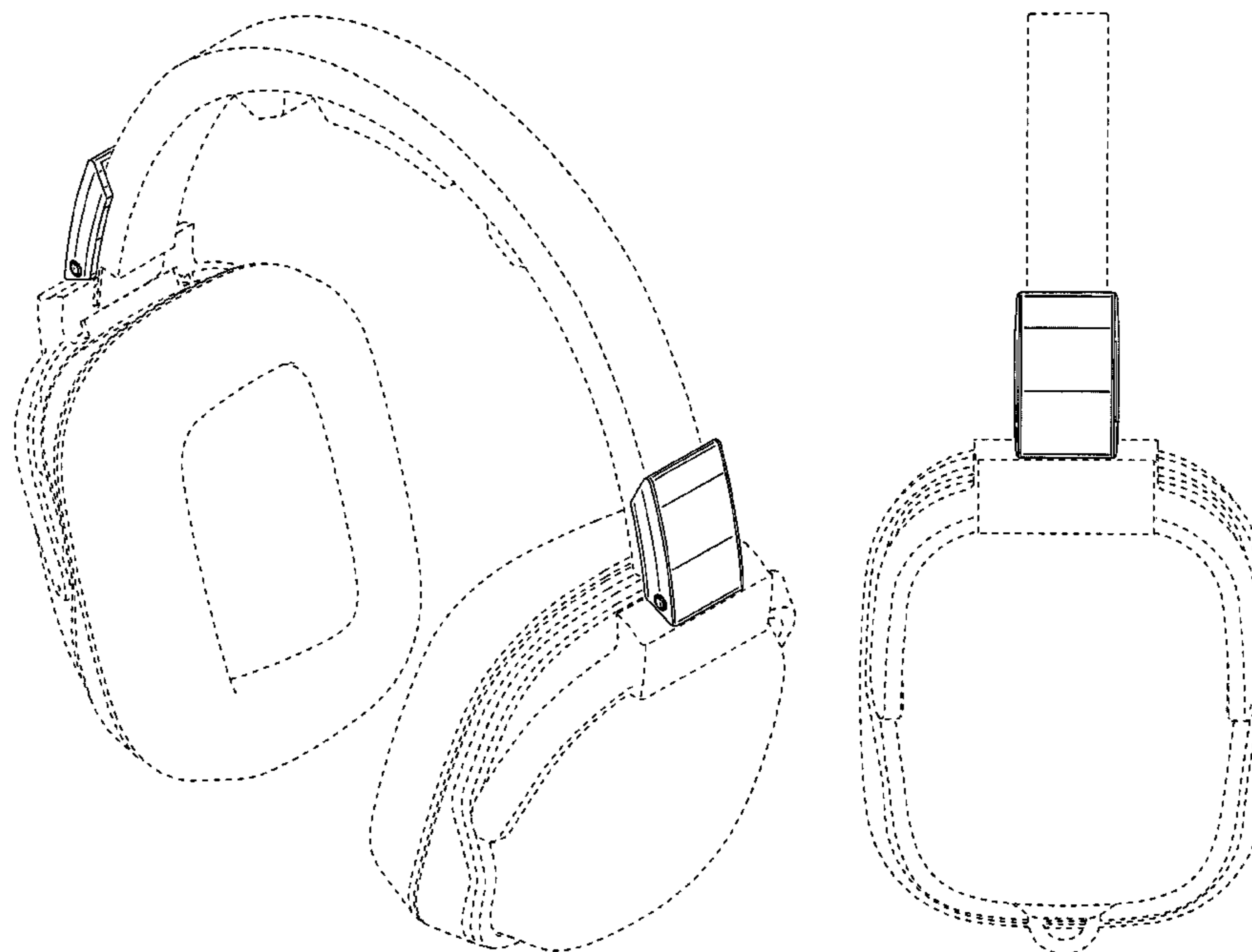


FIG.1

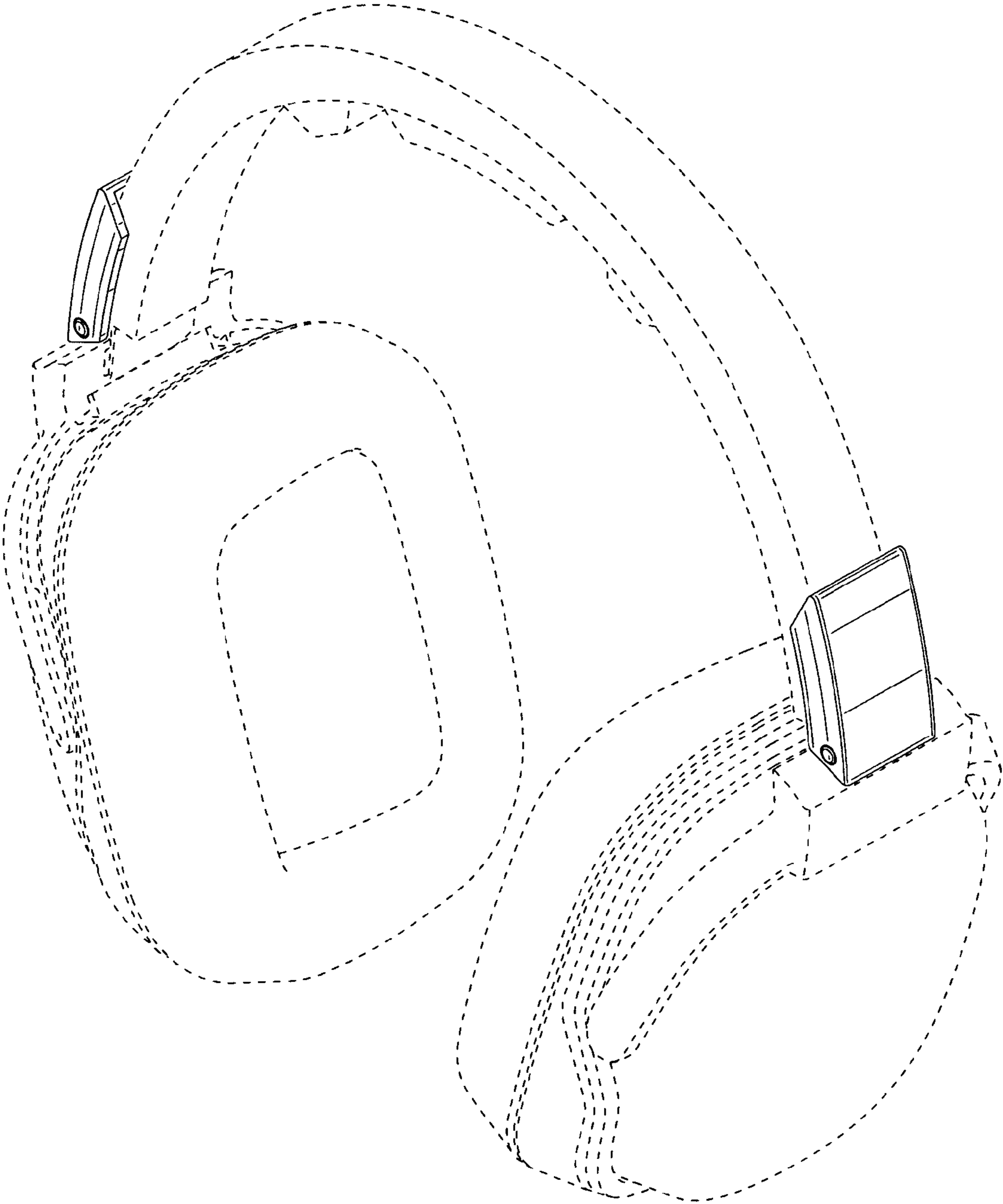


FIG.2

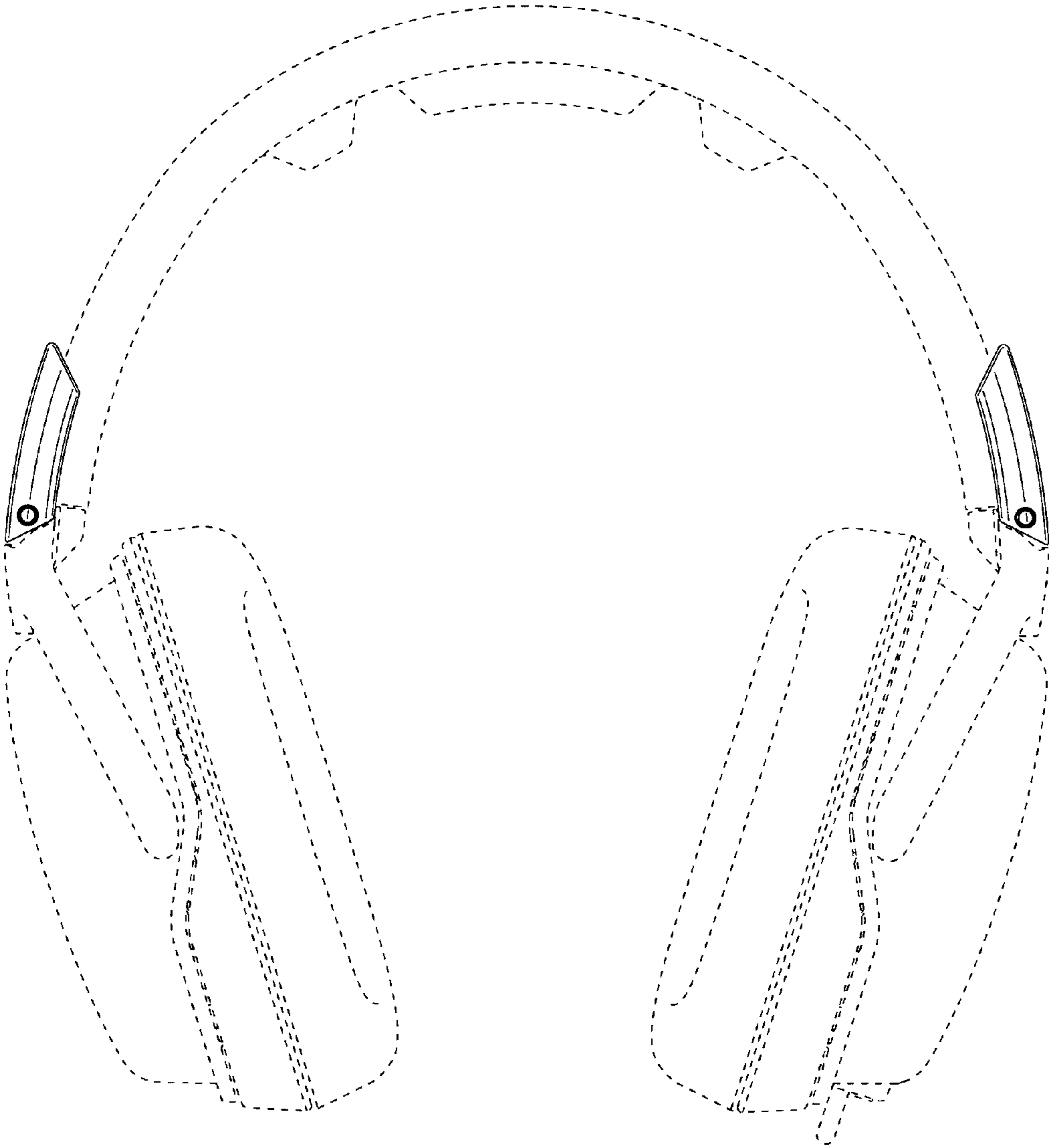


FIG.3

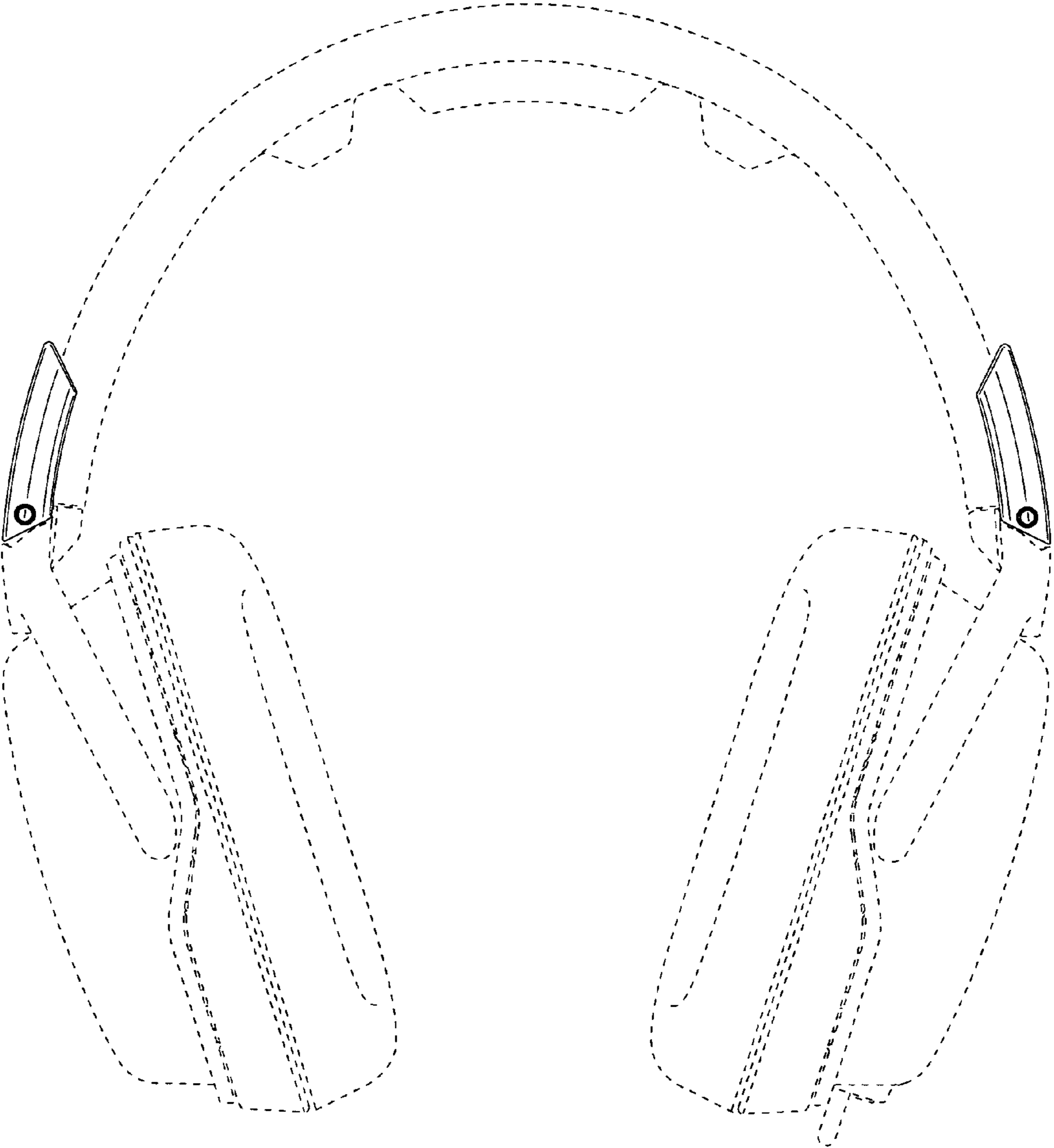


FIG.4

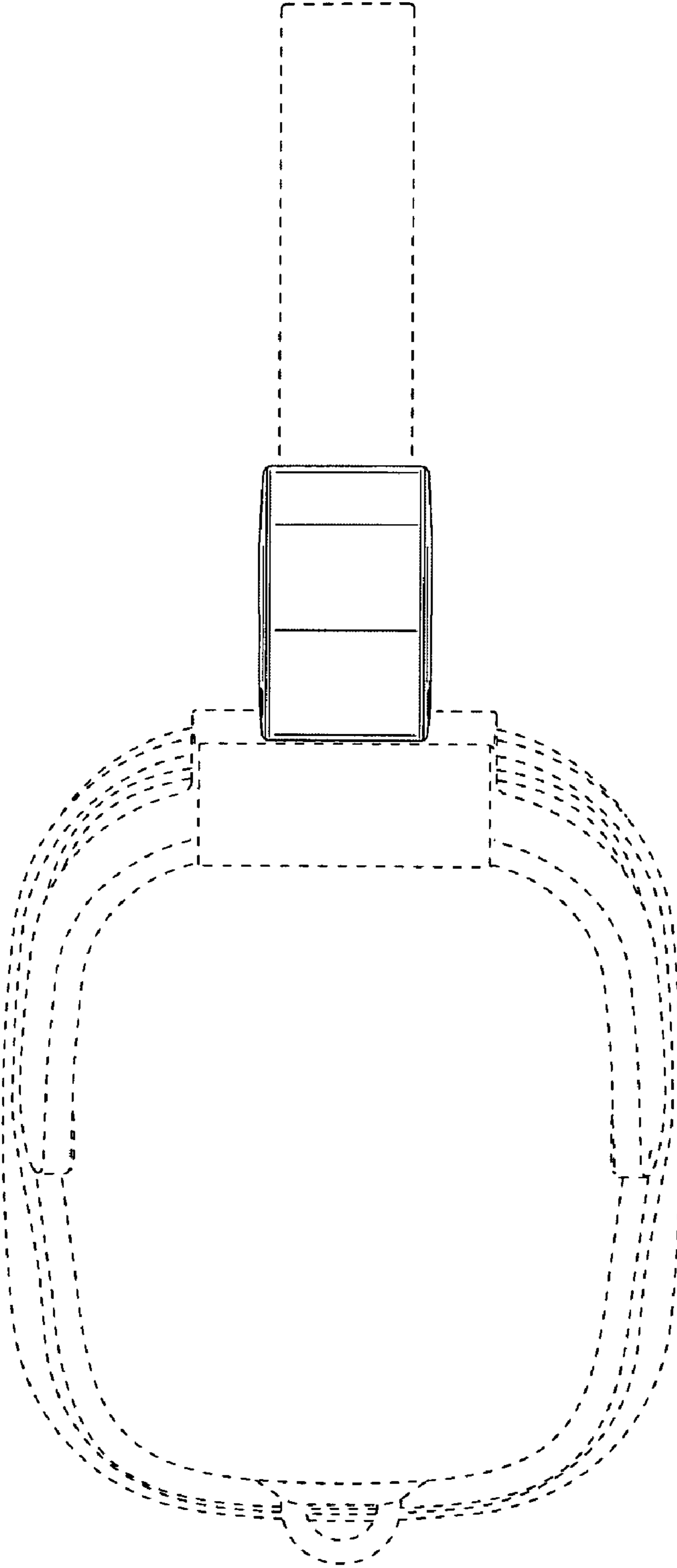


FIG.5

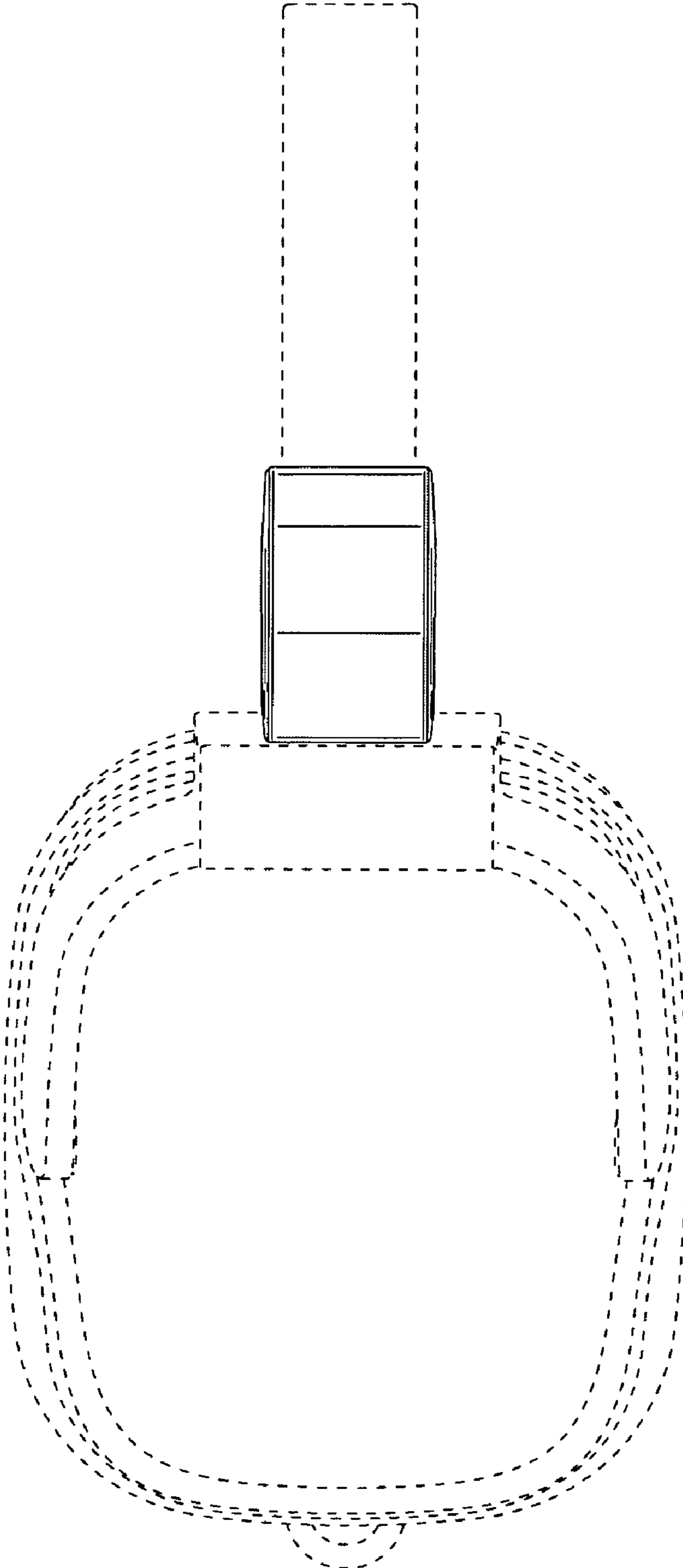


FIG.6

