



US00D663277S

(12) **United States Design Patent**
Yong et al.

(10) **Patent No.:** **US D663,277 S**
(45) **Date of Patent:** **** Jul. 10, 2012**

(54) **PORTABLE RADIO HOUSING**

(75) Inventors: **Rit Fui Yong**, Singapore (SG);
Jean-Philippe J. Cantave, Boca Raton,
FL (US); **LanTing L. Garra**, Sunrise,
FL (US); **Zhu Hai Mo**, Guangdong
(CN); **Xian Jun Wang**, Guangdong (CN)

(73) Assignee: **Motorola Solutions, Inc.**, Schaumburg,
IL (US)

(**) Term: **14 Years**

(21) Appl. No.: **29/393,145**

(22) Filed: **May 31, 2011**

(51) **LOC (9) Cl.** **14-03**

(52) **U.S. Cl.** **D14/137**

(58) **Field of Classification Search** D14/135,
D14/137, 139, 157, 188, 197-198, 257, 258,
D14/138 R, 138 AA, 138 C, 138 AD, 138 AC,
D14/138 G, 147, 218, 341-347; 361/814;
455/90.1-90.3

See application file for complete search history.

(56) **References Cited**

U.S. PATENT DOCUMENTS

D348,664	S *	7/1994	Imazeki	D14/137
D383,133	S *	9/1997	Imazeki	D14/198
D384,345	S *	9/1997	Lindeman et al.	D14/137
D540,764	S *	4/2007	Kaner et al.	D14/137
D598,876	S *	8/2009	Leng et al.	D14/137
7,758,996	B2 *	7/2010	Mackle et al.	429/97
D651,997	S *	1/2012	Oikawa	D14/137
D653,225	S *	1/2012	Yong et al.	D14/137
D653,637	S *	2/2012	Ismail et al.	D14/137
2009/0197545	A1 *	8/2009	Gong et al.	455/90.2

OTHER PUBLICATIONS

Vertex VXA-300 Pilot III, [online], [retrieved on Jun. 26, 2010]. Retrieved from Internet ,<URL: http://www.twowayradioonline.com>.*

Vertex VXA-220 Pro VI, [online], [retrieved on Jun. 26, 2010]. Retrieved from Internet ,<URL: http://www.twowayradioonline.com>.*

Standard Horizon HX-370S, [online], [retrieved on Jan. 6, 2010]. Retrieved from Internet ,<URL: http://www.twowayradioonline.com>.*

ICOM IC-F4001, [online], [retrieved on Oct. 29, 2010]. Retrieved from Internet ,<URL: http://www.twowayradioonline.com>.*

* cited by examiner

Primary Examiner — Bridget L Eland

(74) *Attorney, Agent, or Firm* — Barbara R. Doutre

(57) **CLAIM**

The ornamental design for a portable radio housing, as shown and described.

DESCRIPTION

FIG. 1 is a front perspective view of an ornamental design for a portable radio housing;

FIG. 2 is a rear perspective view thereof;

FIG. 3 is a front view thereof;

FIG. 4 is a rear view thereof;

FIG. 5 is a first side view thereof;

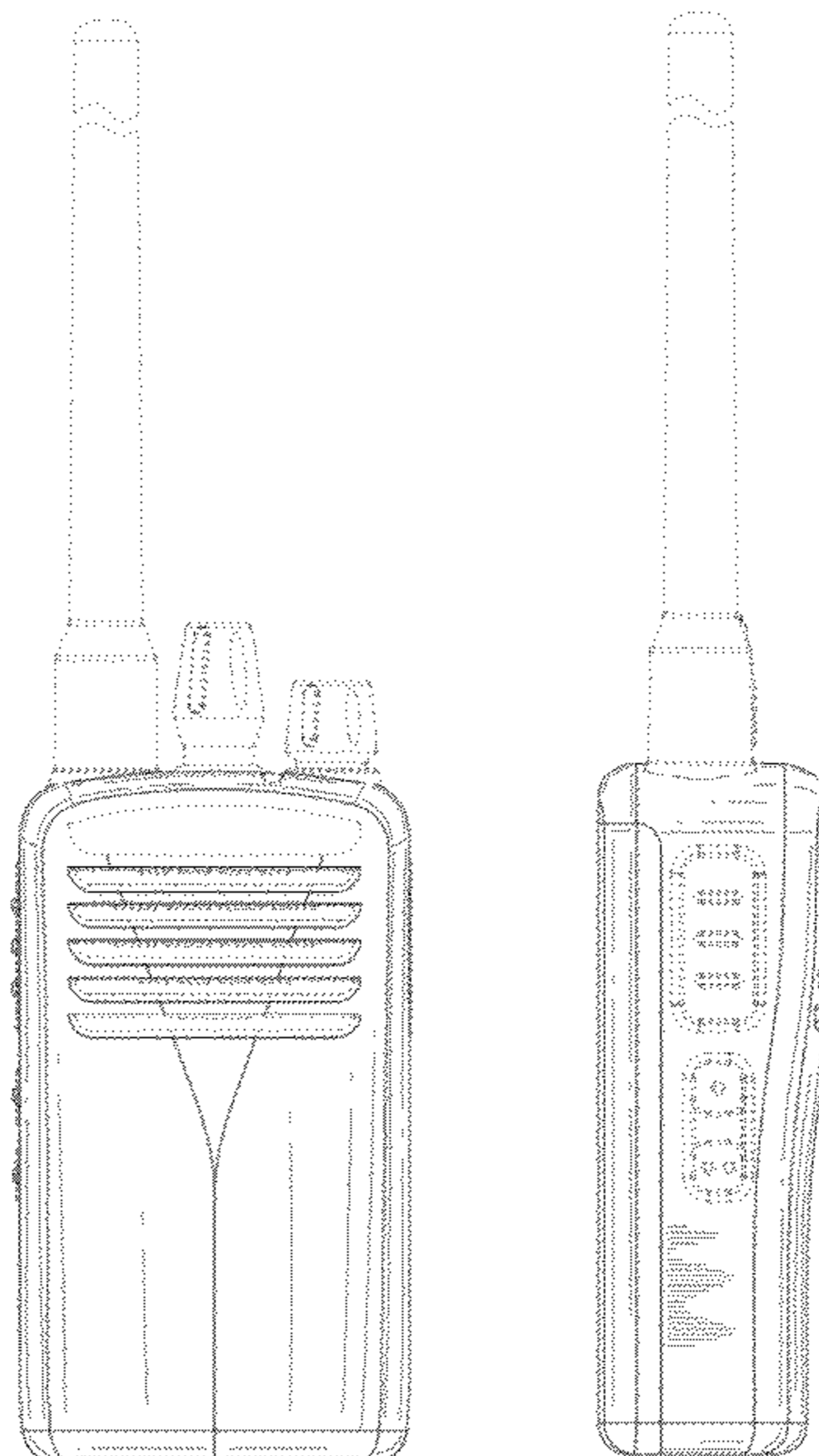
FIG. 6 is a second side view thereof;

FIG. 7 is a top view thereof; and,

FIG. 8 is a bottom view thereof.

The broken lines shown in FIGS. 1-8, that are immediately adjacent to the shaded areas, and define unshaded regions, represent the bounds of the claimed design, while all other broken lines are directed to environment and are for illustrative purposes only; the broken lines form no part of the claimed design.

1 Claim, 5 Drawing Sheets



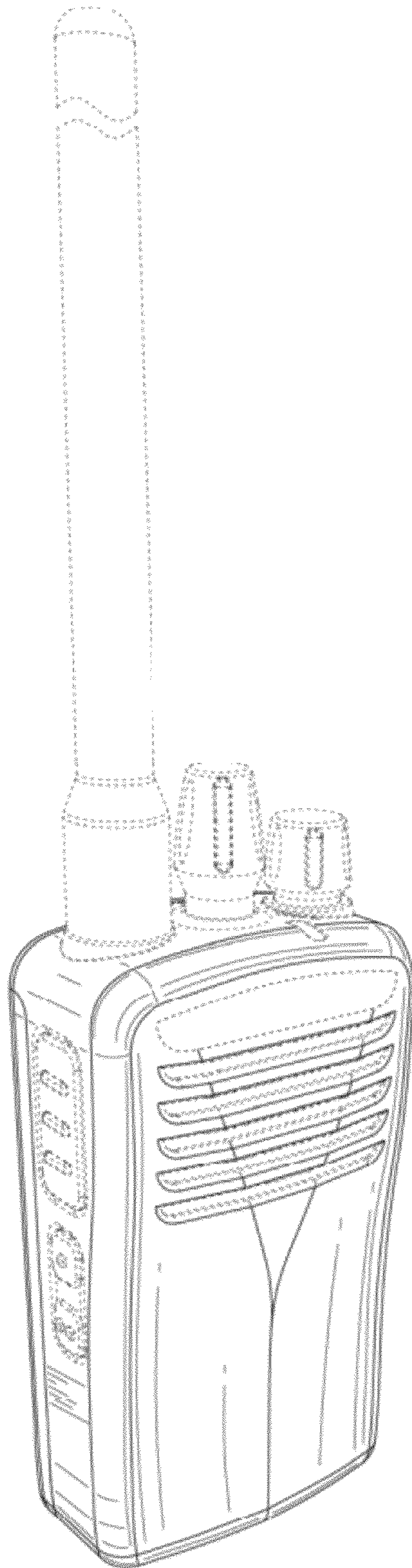


FIG. 1

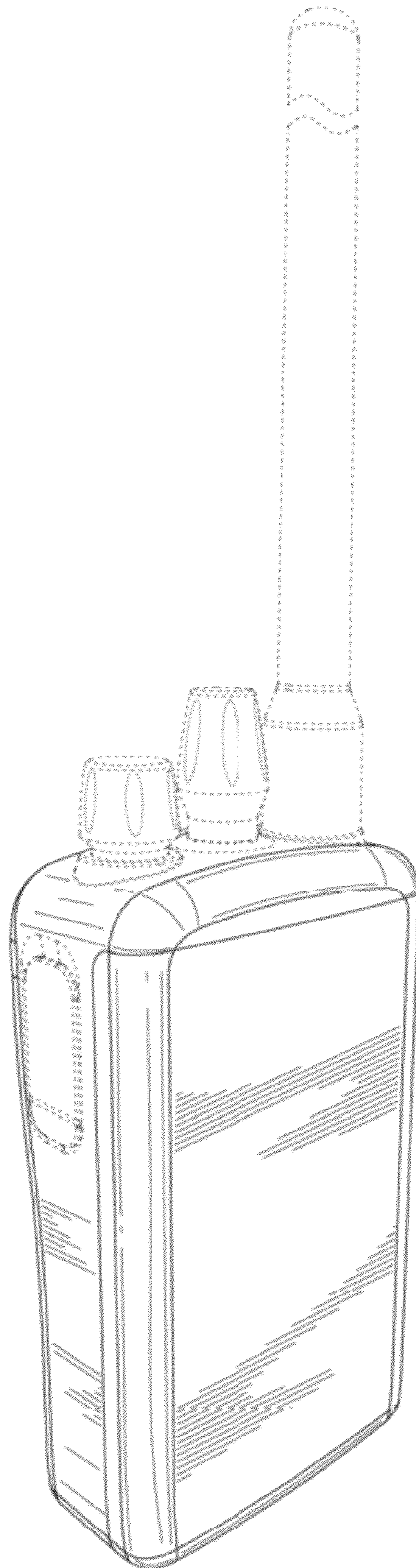


FIG. 2

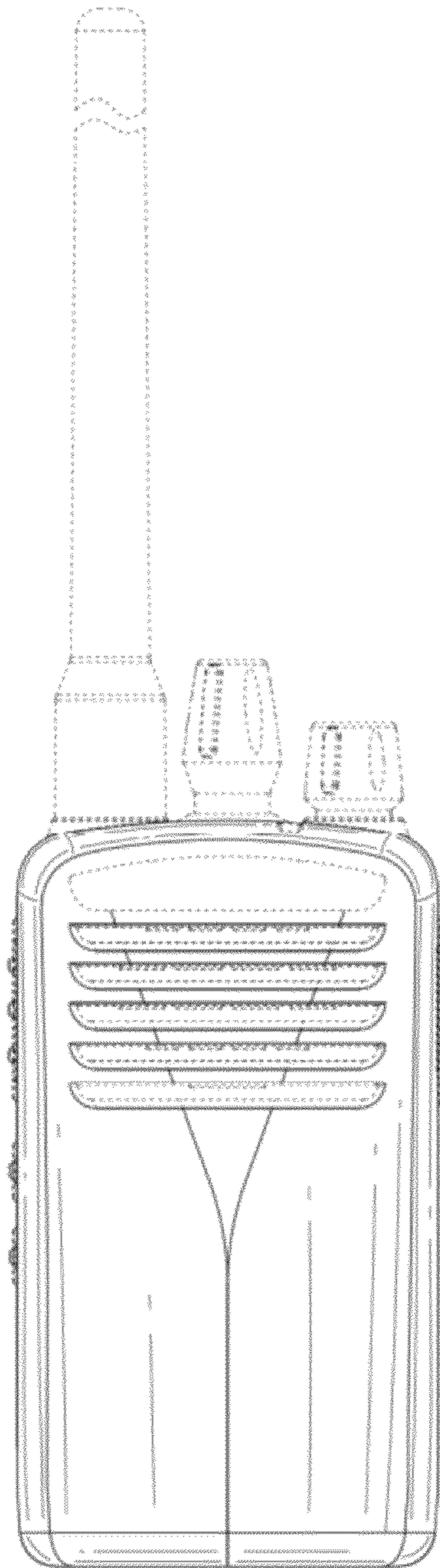


FIG. 3

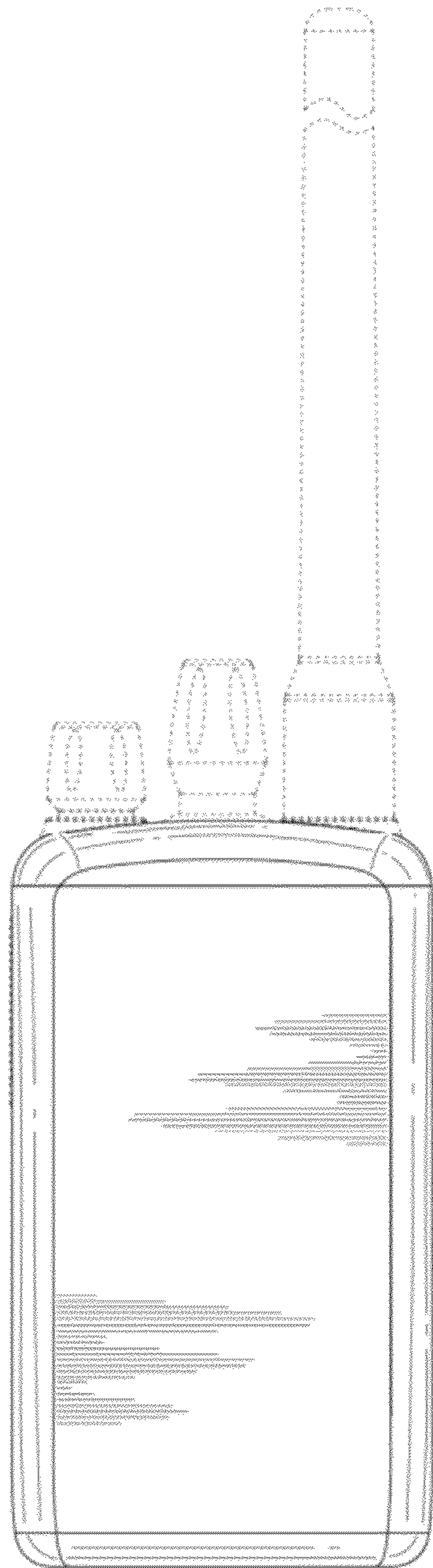


FIG. 4

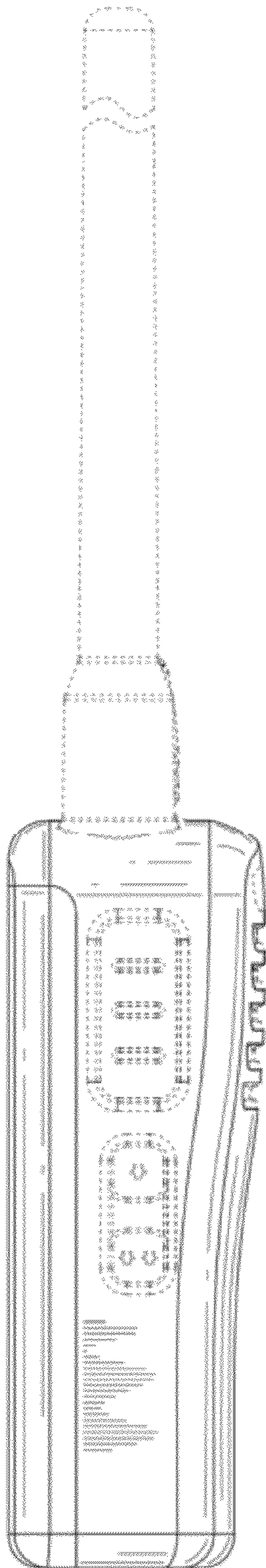


FIG. 5

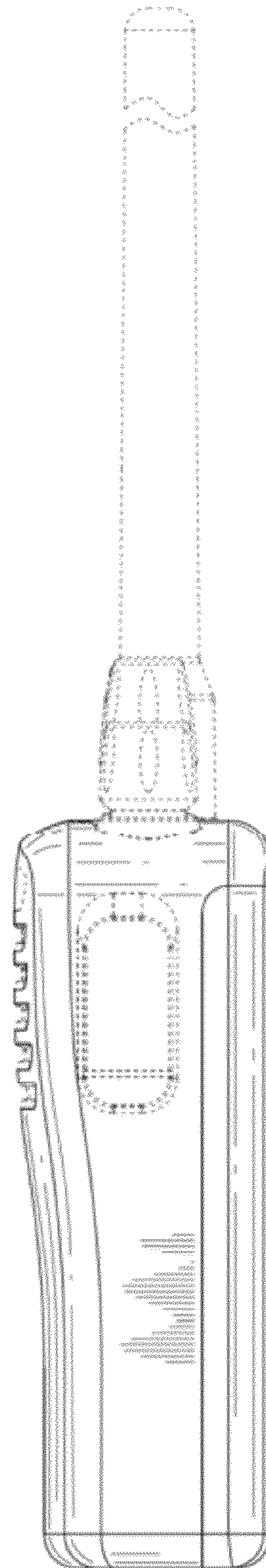


FIG. 6

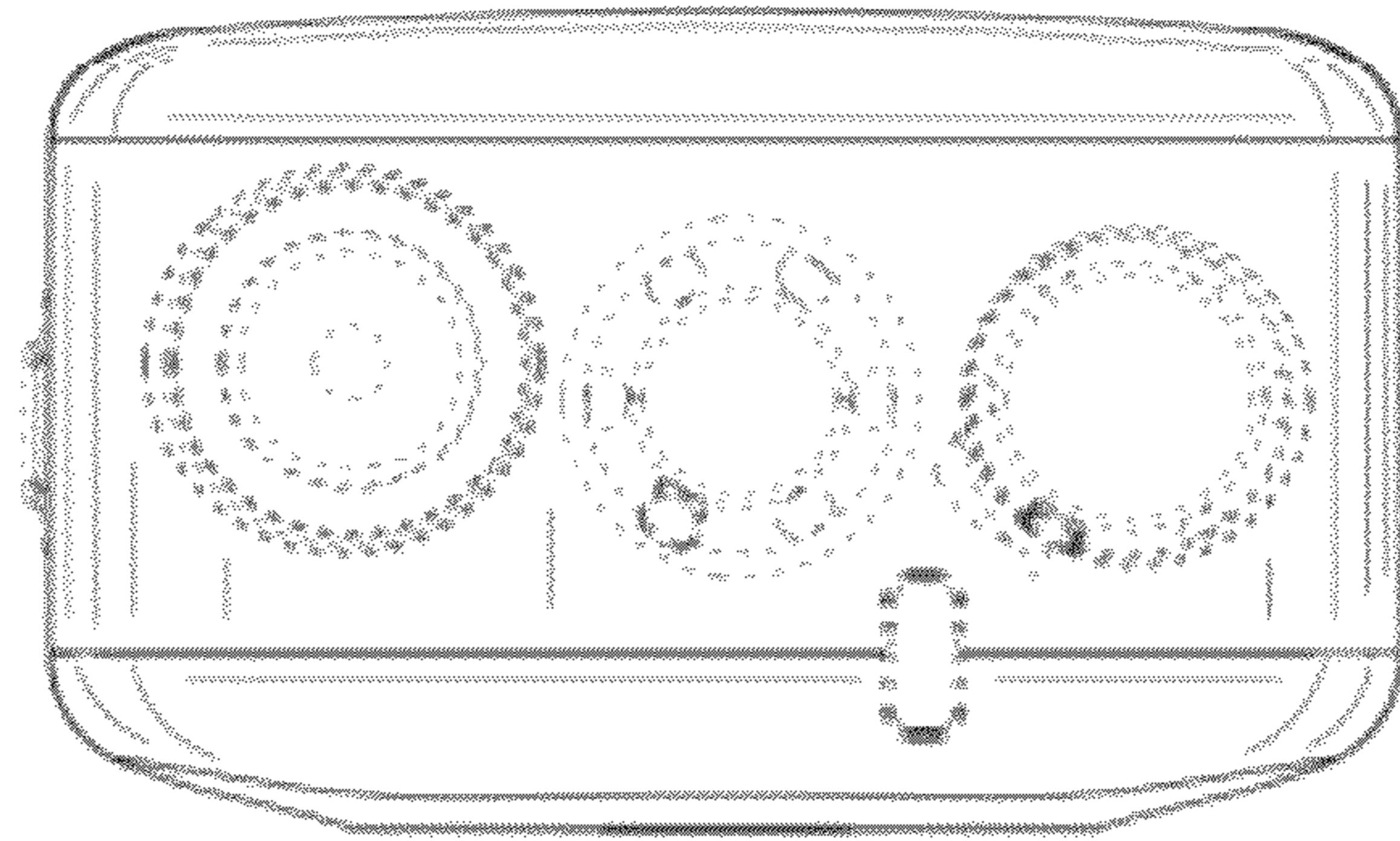


FIG. 7

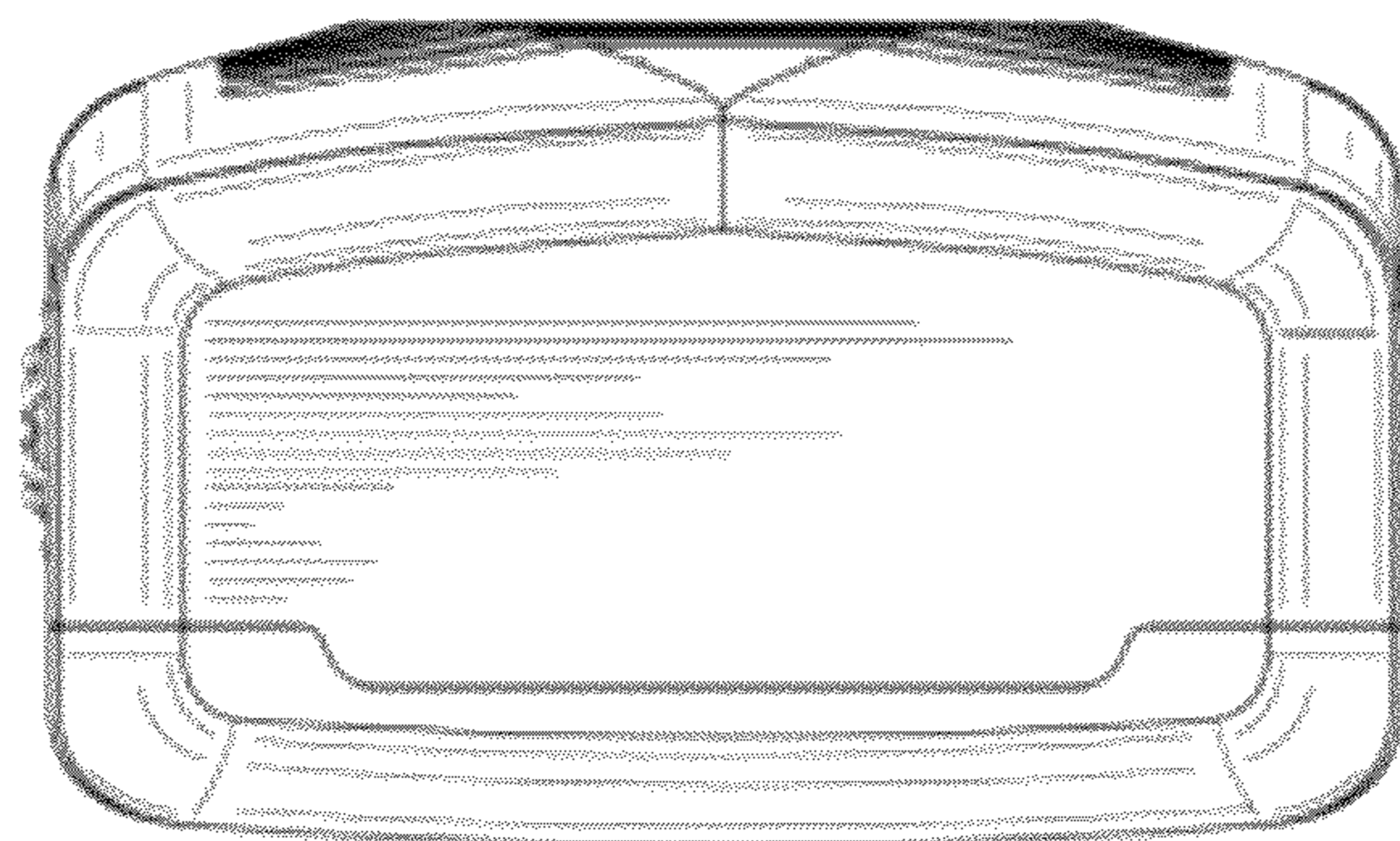


FIG. 8