



US00D663276S

(12) **United States Design Patent**
Lin

(10) **Patent No.:** **US D663,276 S**
(45) **Date of Patent:** **** Jul. 10, 2012**

(54) **COOLING FIN**

(75) Inventor: **Chih-Hsun Lin**, New Taipei (TW)

(73) Assignee: **Foxconn Technology Co., Ltd.**,
Tu-Cheng, New Taipei (TW)

(**) Term: **14 Years**

(21) Appl. No.: **29/399,248**

(22) Filed: **Aug. 11, 2011**

(30) **Foreign Application Priority Data**

Jun. 22, 2011 (CN) 2011 3 0186353

(51) **LOC (9) Cl.** **13-03**

(52) **U.S. Cl.** **D13/179**

(58) **Field of Classification Search** D13/179;
165/80.3, 104.33, 122, 151, 185; 257/706,
257/707, 718-722; 361/695, 697, 700, 702,
361/704, 709, 710, 711, 719

See application file for complete search history.

(56) **References Cited**

U.S. PATENT DOCUMENTS

D280,320 S * 8/1985 McCarthy D13/179
D467,559 S * 12/2002 Lee D13/179
D478,055 S * 8/2003 Jing et al. D13/179
D487,885 S * 3/2004 Fan D13/179
7,568,518 B2 * 8/2009 Li et al. 165/80.3

2003/0024687 A1 * 2/2003 Cheng et al. 165/80.3
2003/0155104 A1 * 8/2003 Wenger et al. 165/80.3
2007/0084584 A1 * 4/2007 Hashimoto 165/80.3
2007/0119566 A1 * 5/2007 Peng 165/80.3
2007/0188992 A1 * 8/2007 Hwang et al. 361/700
2007/0235162 A1 * 10/2007 Lin 165/80.3
2008/0115910 A1 * 5/2008 Sheng 165/80.3
2009/0255649 A1 * 10/2009 Feng 165/80.3
2010/0025018 A1 * 2/2010 Chen 165/104.33
2011/0048675 A1 * 3/2011 Xu et al. 165/80.3
2012/0024514 A1 * 2/2012 Shen 165/185

* cited by examiner

Primary Examiner — Selina Sikder

(74) *Attorney, Agent, or Firm* — Altis Law Group, Inc.

(57) **CLAIM**

The ornamental design for a cooling fin, as shown and described.

DESCRIPTION

FIG. 1 is a perspective view of a cooling fin showing my new design.

FIG. 2 is a front elevational view thereof.

FIG. 3 is a rear elevational view thereof.

FIG. 4 is a left-side elevational view thereof.

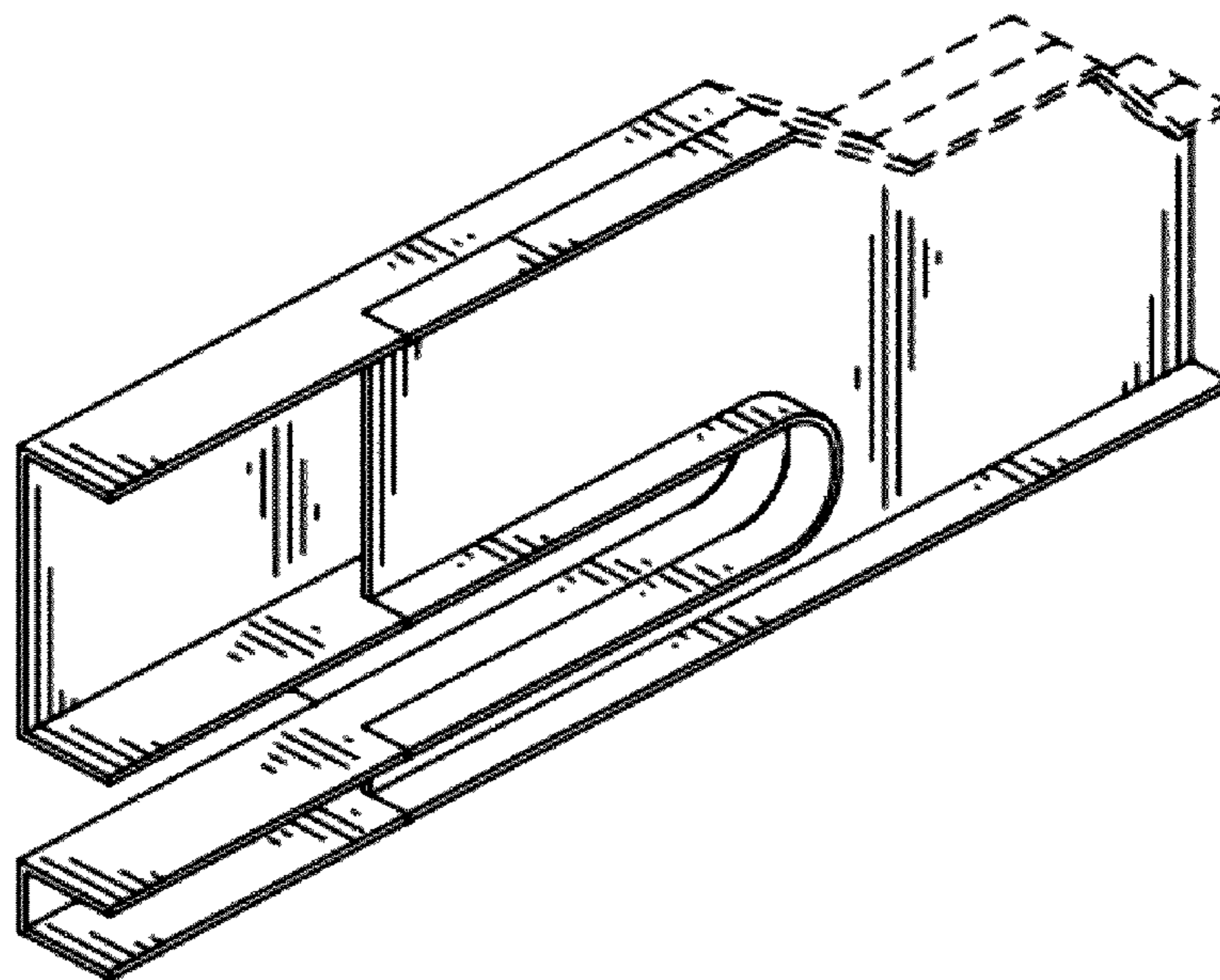
FIG. 5 is a right-side elevational view thereof.

FIG. 6 is a top plan view thereof; and,

FIG. 7 is a bottom plan view thereof.

The broken line showing of the cooling fan is for illustrative purposes only and forms no part of the claimed design.

1 Claim, 7 Drawing Sheets



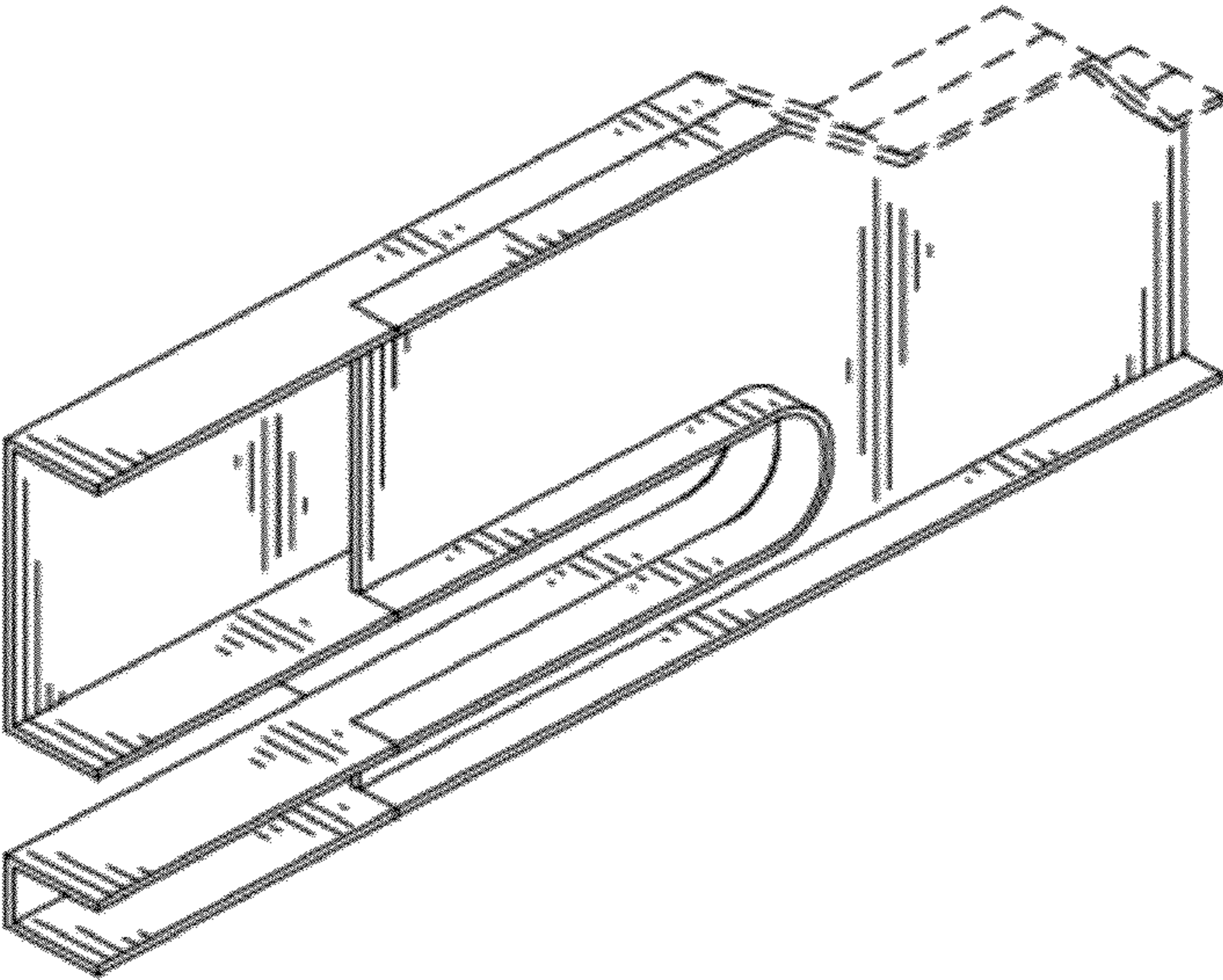


FIG. 1

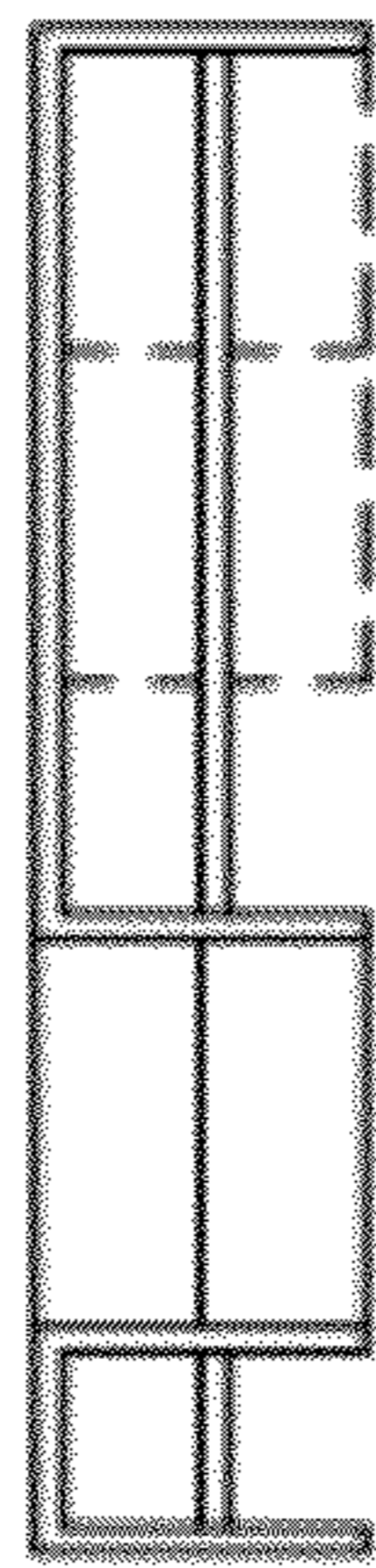


FIG. 2

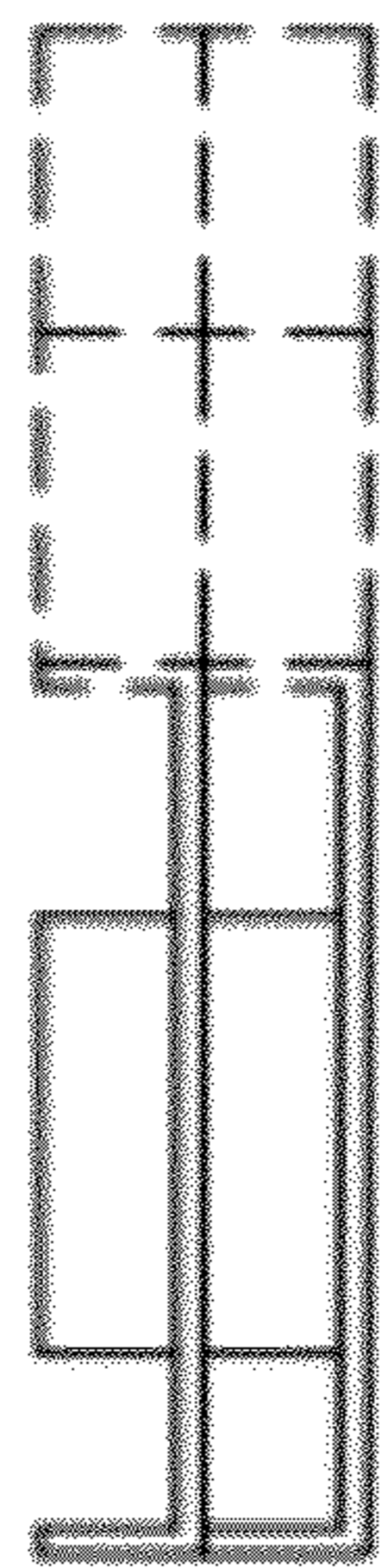


FIG. 3

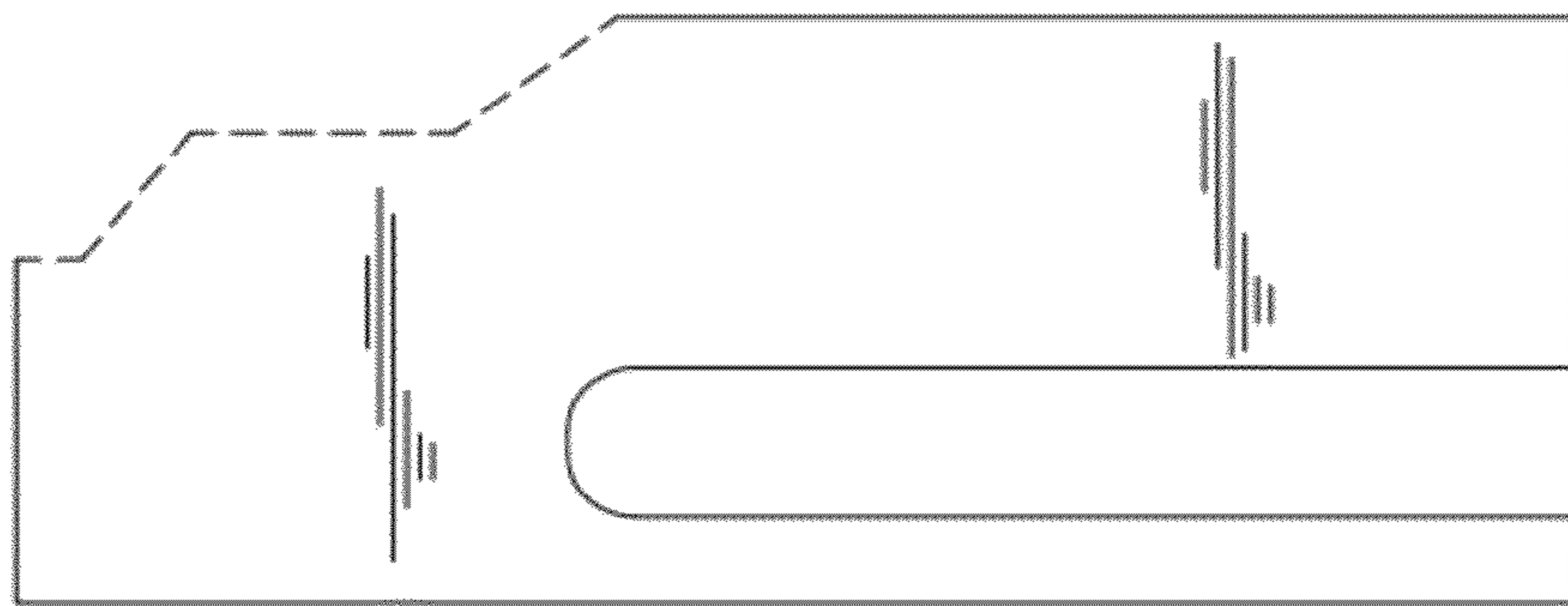


FIG. 4

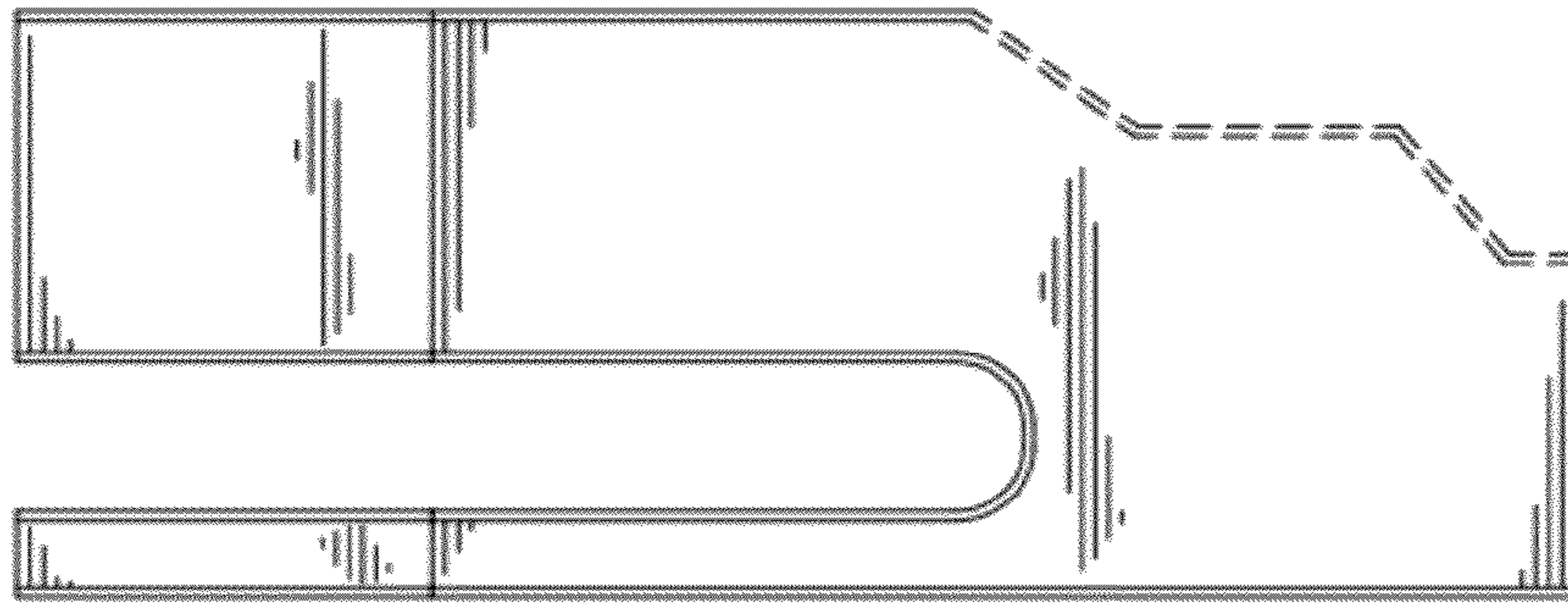


FIG. 5

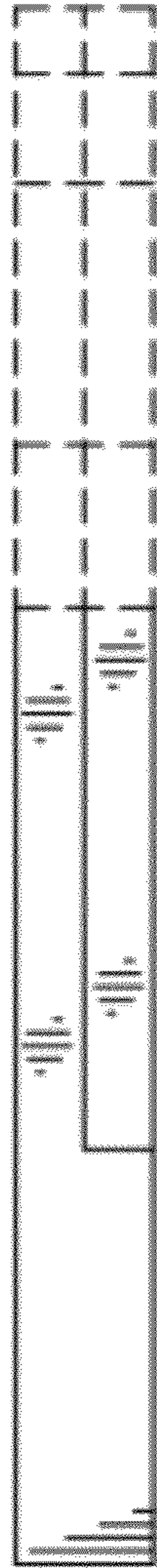


FIG. 6

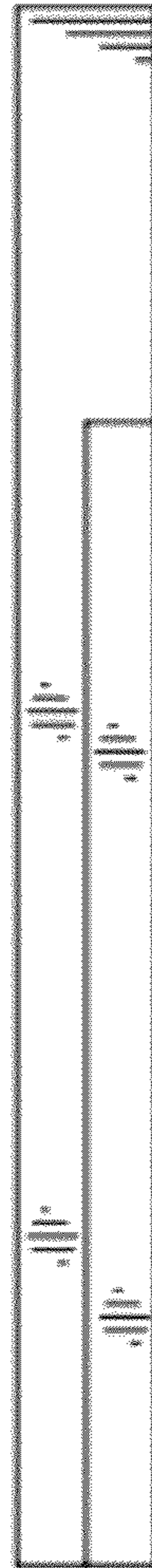


FIG. 7