



US00D663275S

(12) **United States Design Patent**
Heisler, II

(10) **Patent No.:** **US D663,275 S**
(45) **Date of Patent:** **** Jul. 10, 2012**

- (54) **TERMINAL CONNECTOR HEAD**
- (75) Inventor: **Allan F. Heisler, II**, Huntertown, IN (US)
- (73) Assignee: **Pyromation, Inc.**, Fort Wayne, IN (US)
- (**) Term: **14 Years**
- (21) Appl. No.: **29/387,951**
- (22) Filed: **Mar. 22, 2011**
- (51) **LOC (9) Cl.** **13-03**
- (52) **U.S. Cl.** **D13/156**
- (58) **Field of Classification Search** D13/156,
D13/133, 153, 154, 155, 184, 199; 174/59,
174/61, 64, 66, 74 A, 82, 93, 535; 361/356;
439/166, 217, 550, 709-722

See application file for complete search history.

(56) **References Cited**

U.S. PATENT DOCUMENTS

| | | | | | |
|-----------|------|---------|--------------|-------|---------|
| 3,405,225 | A * | 10/1968 | McHugh, Jr. | | 174/535 |
| D244,463 | S * | 5/1977 | Judd | | D13/156 |
| 5,052,950 | A * | 10/1991 | Wilson | | 439/709 |
| D484,459 | S * | 12/2003 | Grant et al. | | D13/133 |
| 7,011,446 | B2 * | 3/2006 | Park | | 374/208 |
| D521,941 | S * | 5/2006 | Phung et al. | | D13/156 |

OTHER PUBLICATIONS

- Burns Engineering; Connection Heads; website page dated Dec. 8, 2010.
- International Metal Engineering Pte Ltd; Low Cost Aluminum Head; website page re. Model 1080KN, Date Unknown.
- Limatherm; Connection Head—type CE; catalog p. 110, Date Unknown.
- Limatherm; Connection Head—type DNAG; catalog p. 108, Date Unknown.

- TCC/Thermocouple Components Corp.; Thermocouple Heads: Aluminum General Purpose; Jan. 2009.
- TCC/Thermocouple Components Corp.; Thermocouple Heads: Cast Iron; Jan. 2009.
- TCC/Thermocouple Components Corp.; Thermocouple Heads: Polypropylene & Nylon; Sep. 2010.
- FMT Products; for the Sensor Industry; Thermocouple Connection Heads—Terminal Blocks and Accessories; website pages dated Dec. 8, 2010; 2 pages; (2 pages).
- FMT Products; for the Sensor Industry; Thermocouple Connection Heads—Terminal Blocks and Accessories; 1400 Series—General Purpose Screw-Top; website pages dated Mar. 19, 2008.
- FMT Products; for the Sensor Industry; Thermocouple Connection Heads—Terminal Blocks and Accessories; 1500 Series—Cast Steel—Heavy Duty Screw-Top Head website pages dated Mar. 19, 2008.
- FMT Products; for the Sensor Industry; Thermocouple Connection Heads—Terminal Blocks and Accessories; 1800 Series—Stainless Steel—Corrosion-Resistant Head; website pages dated Mar. 19, 2008.

* cited by examiner

Primary Examiner — Derrick Holland

(74) *Attorney, Agent, or Firm* — Barnes & Thornburg LLP

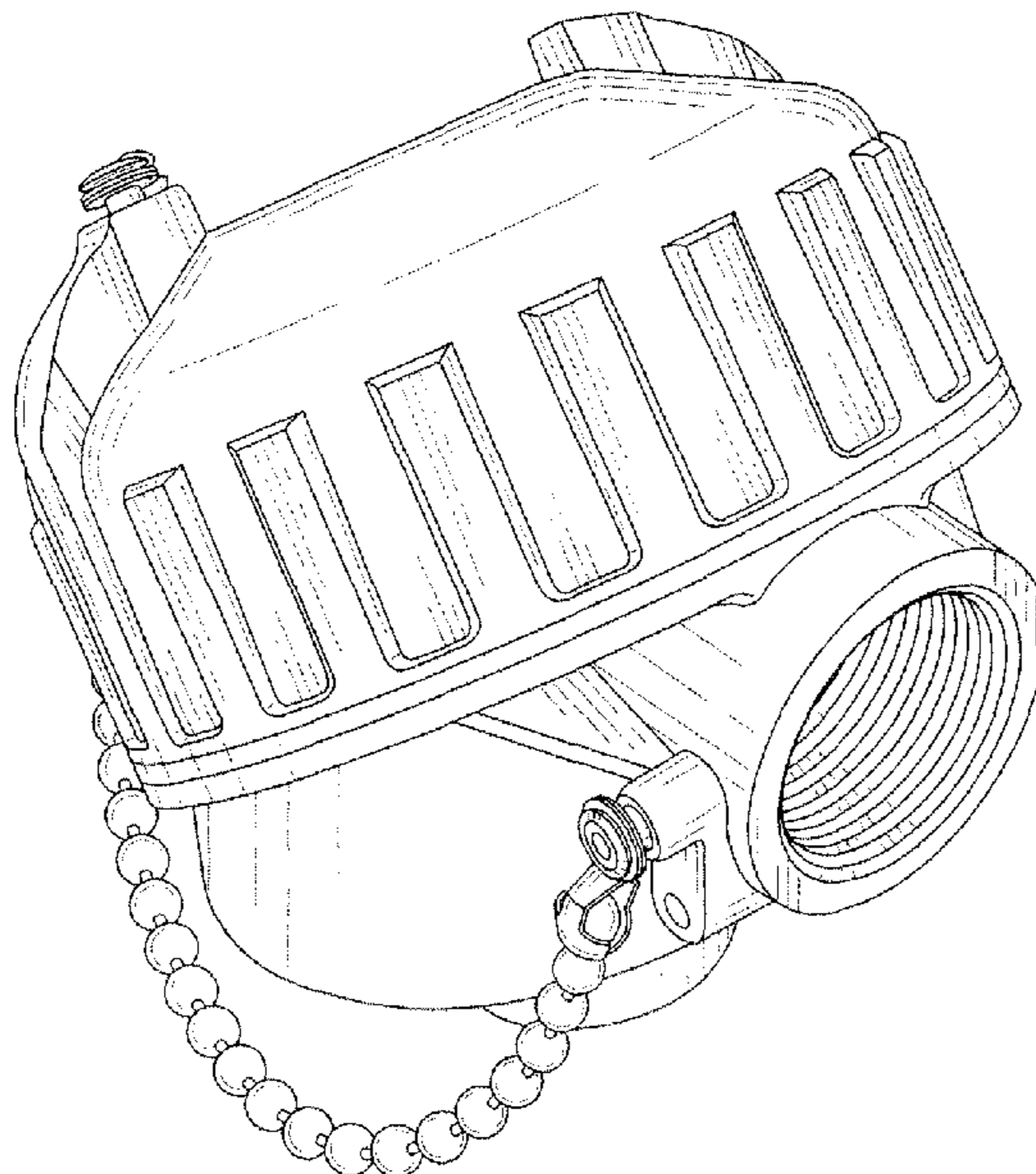
(57) **CLAIM**

The ornamental design for a terminal connector head, as shown and described.

DESCRIPTION

- FIG. 1 is a perspective view of a terminal connector head in accordance with the present design.
- FIG. 2 is a front view thereof.
- FIG. 3 is a rear view thereof.
- FIG. 4 is a left side elevation view thereof.
- FIG. 5 is a right side elevation view thereof.
- FIG. 6 is a top view thereof; and,
- FIG. 7 is a bottom view thereof.

1 Claim, 4 Drawing Sheets



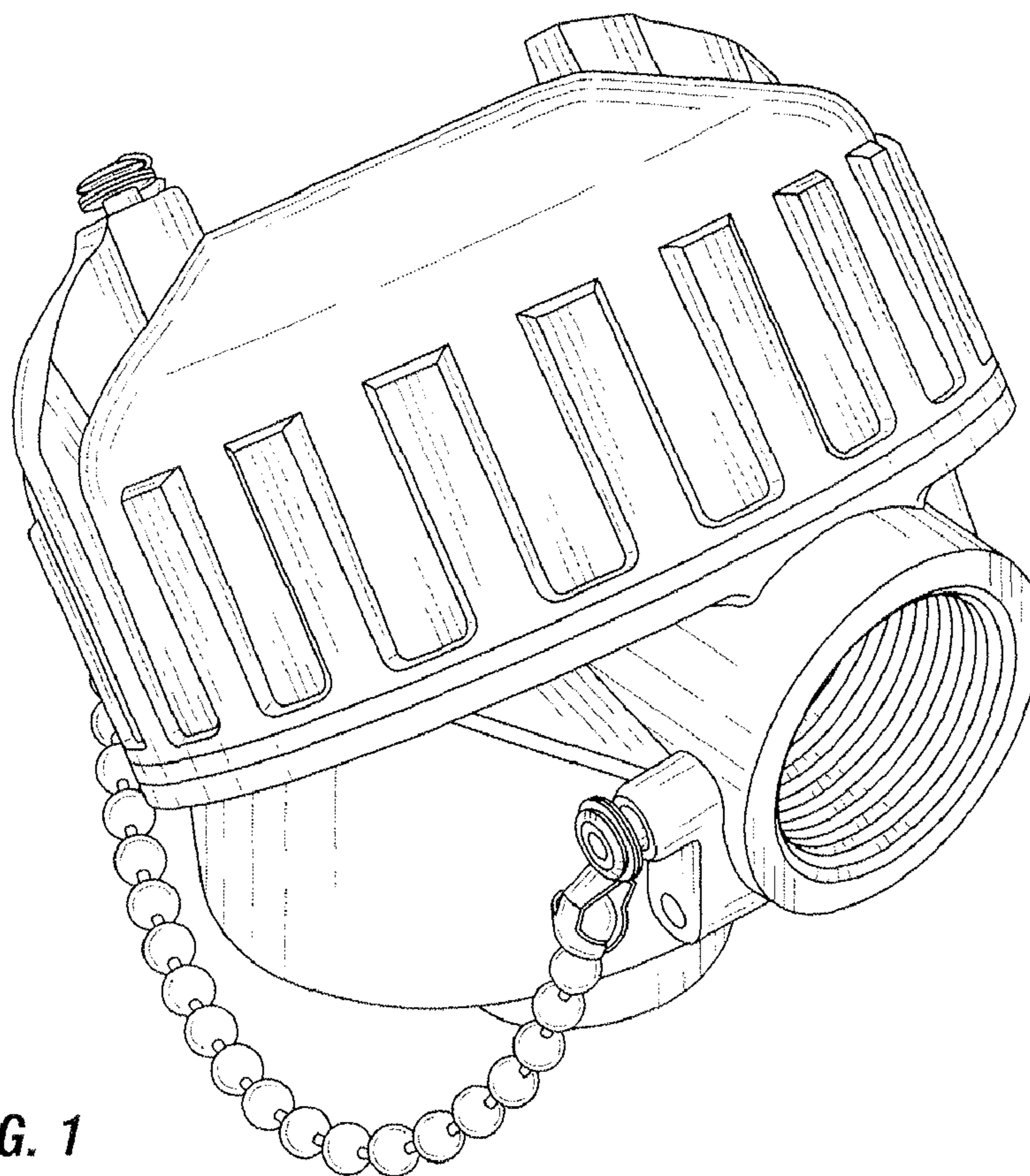


FIG. 1

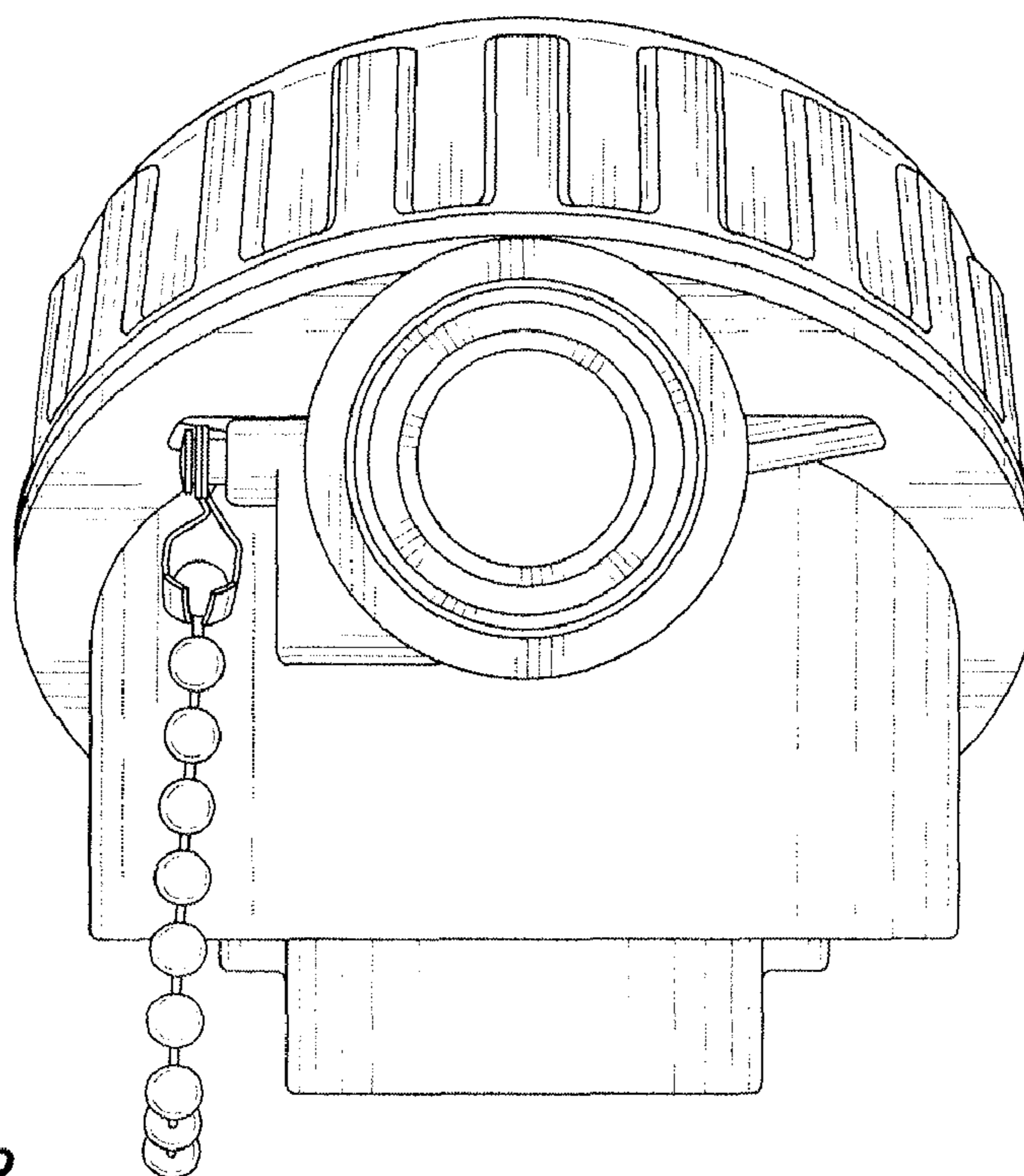


FIG. 2

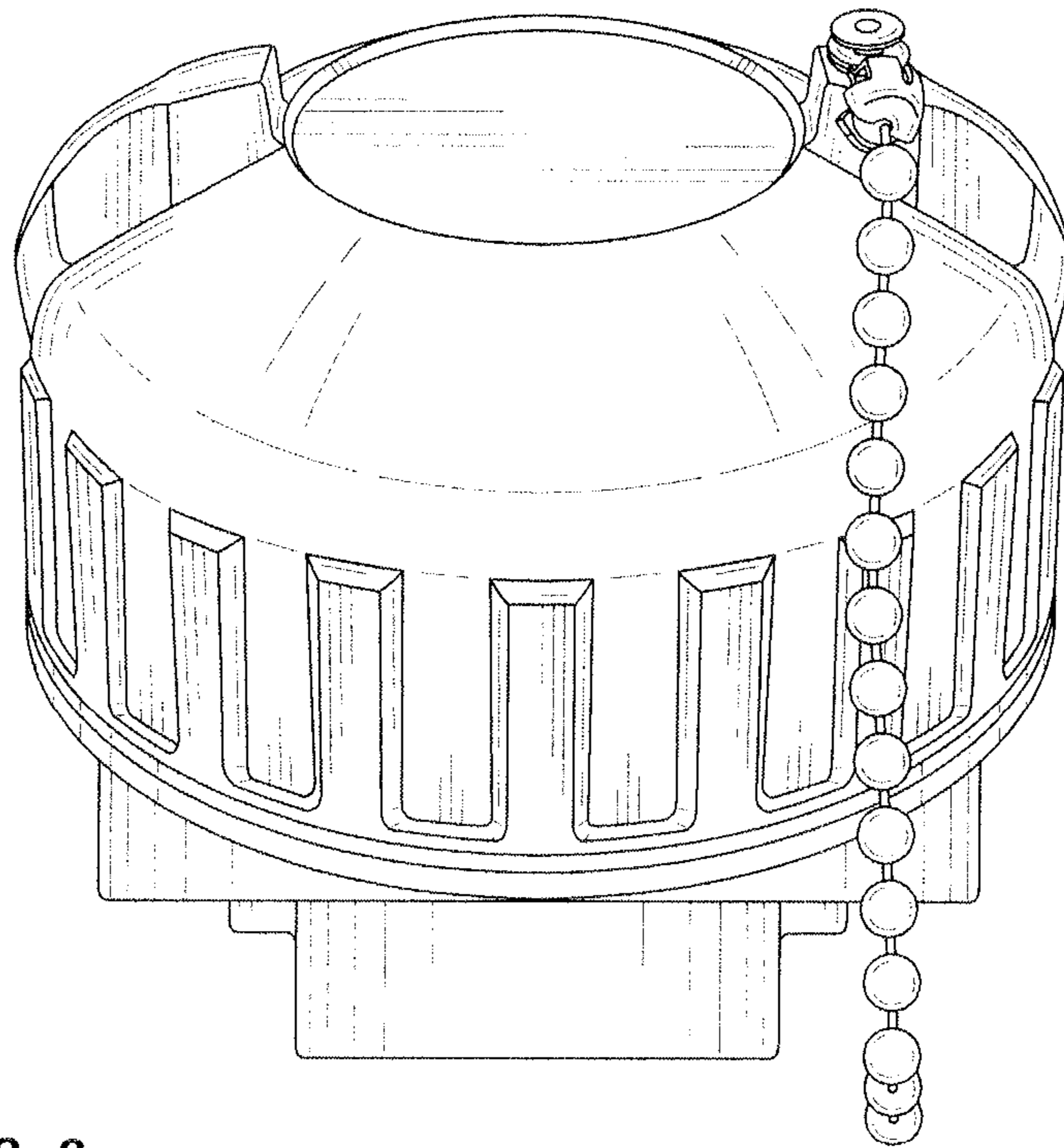


FIG. 3

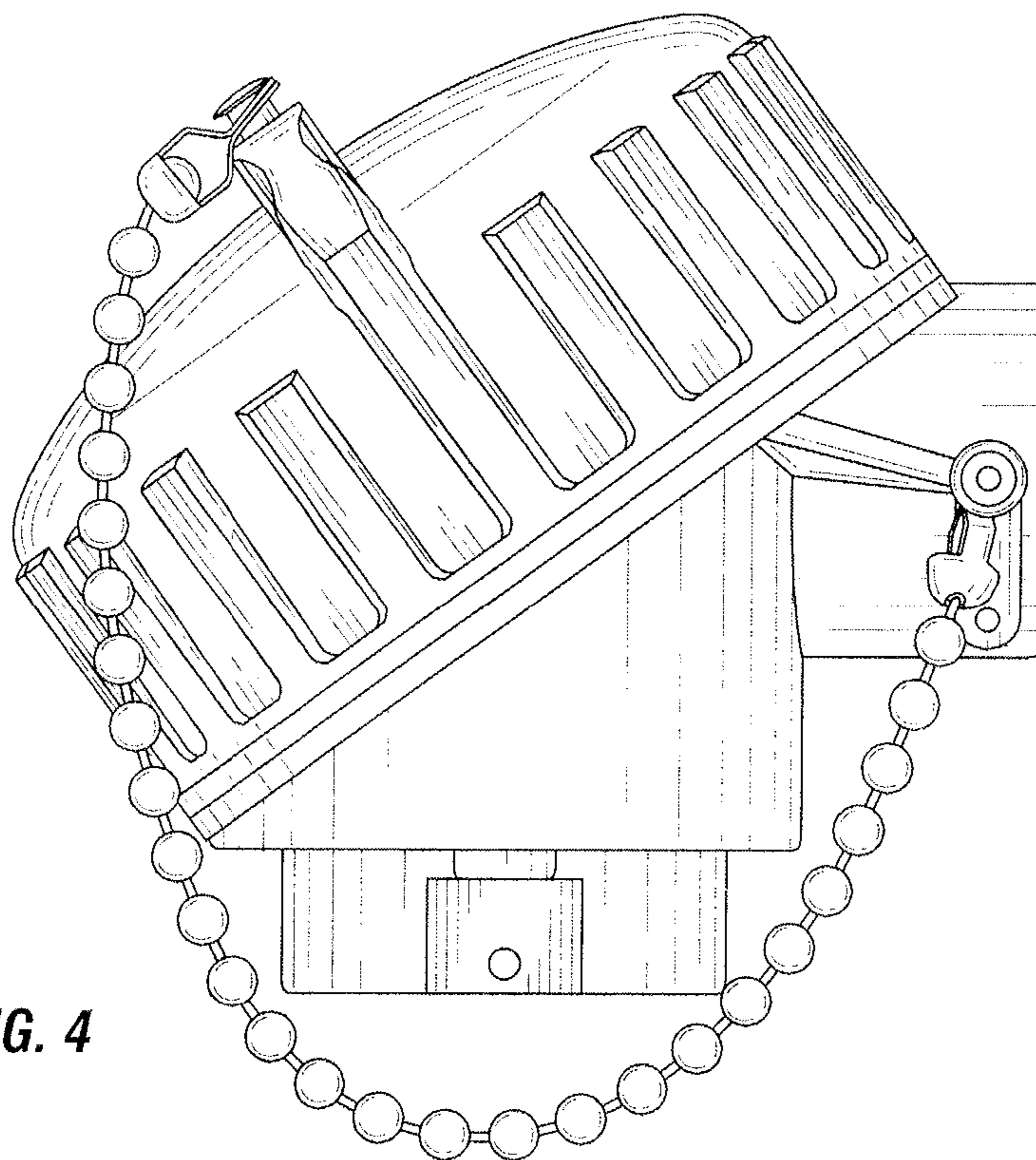


FIG. 4

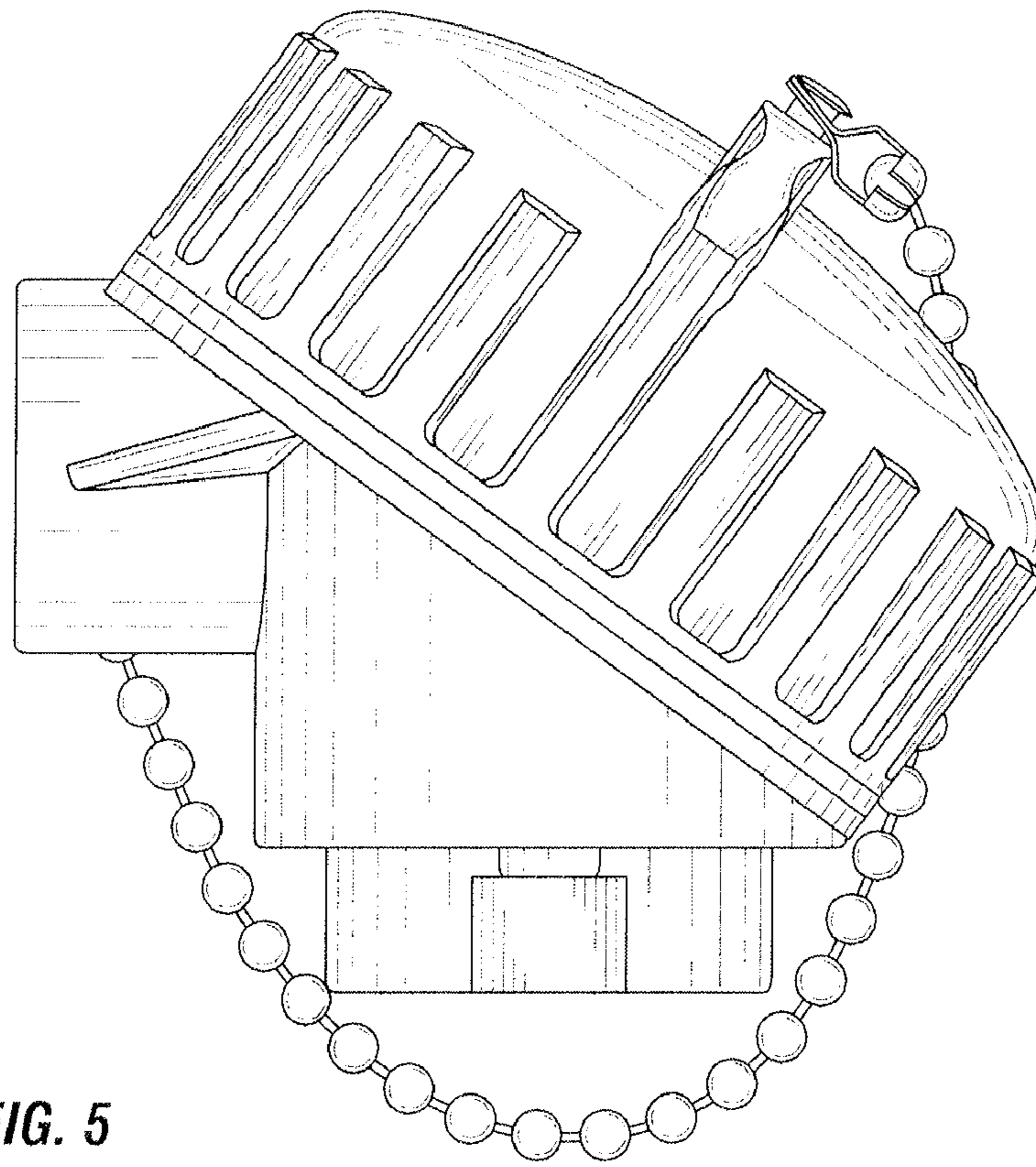


FIG. 5

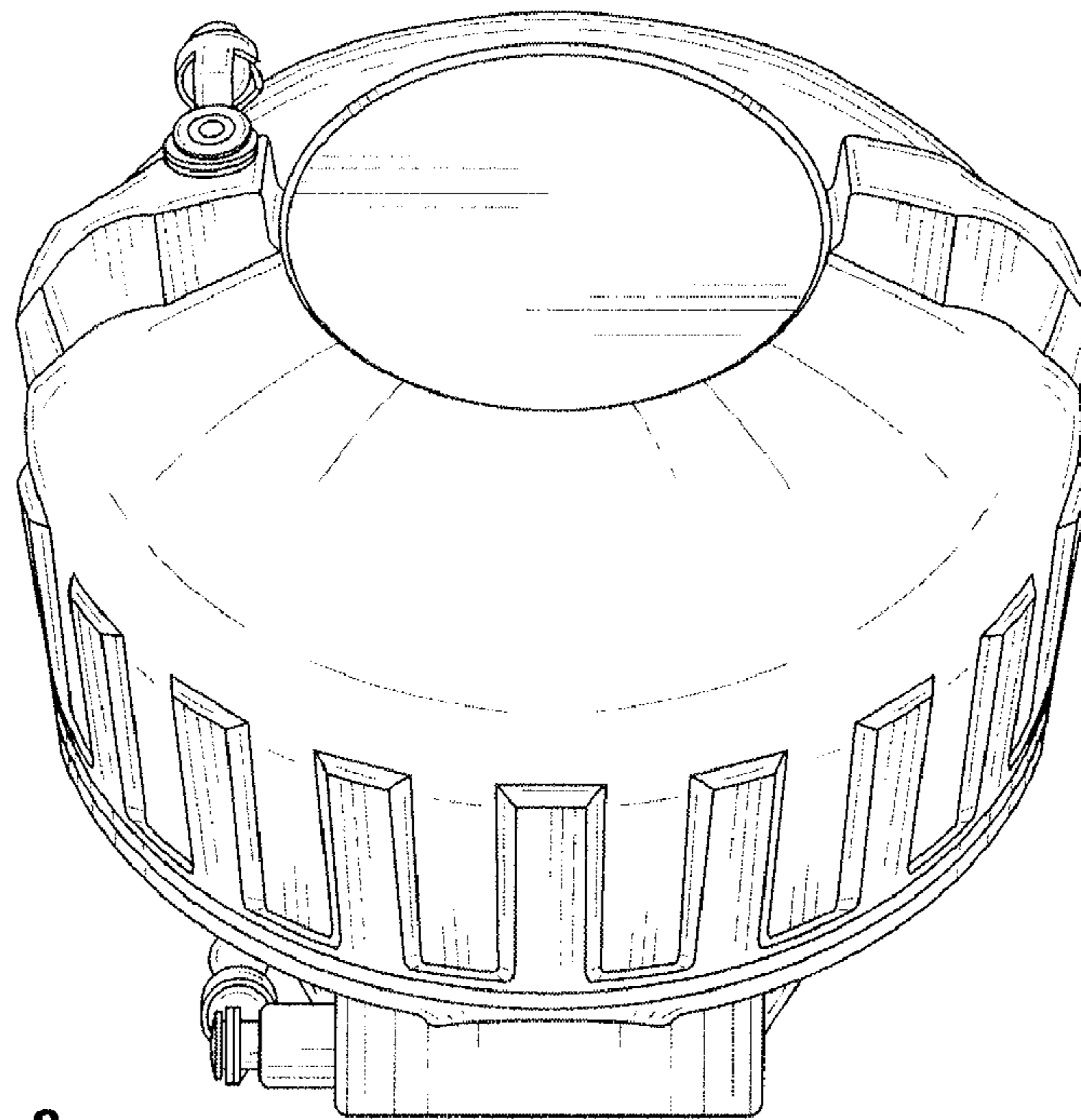


FIG. 6

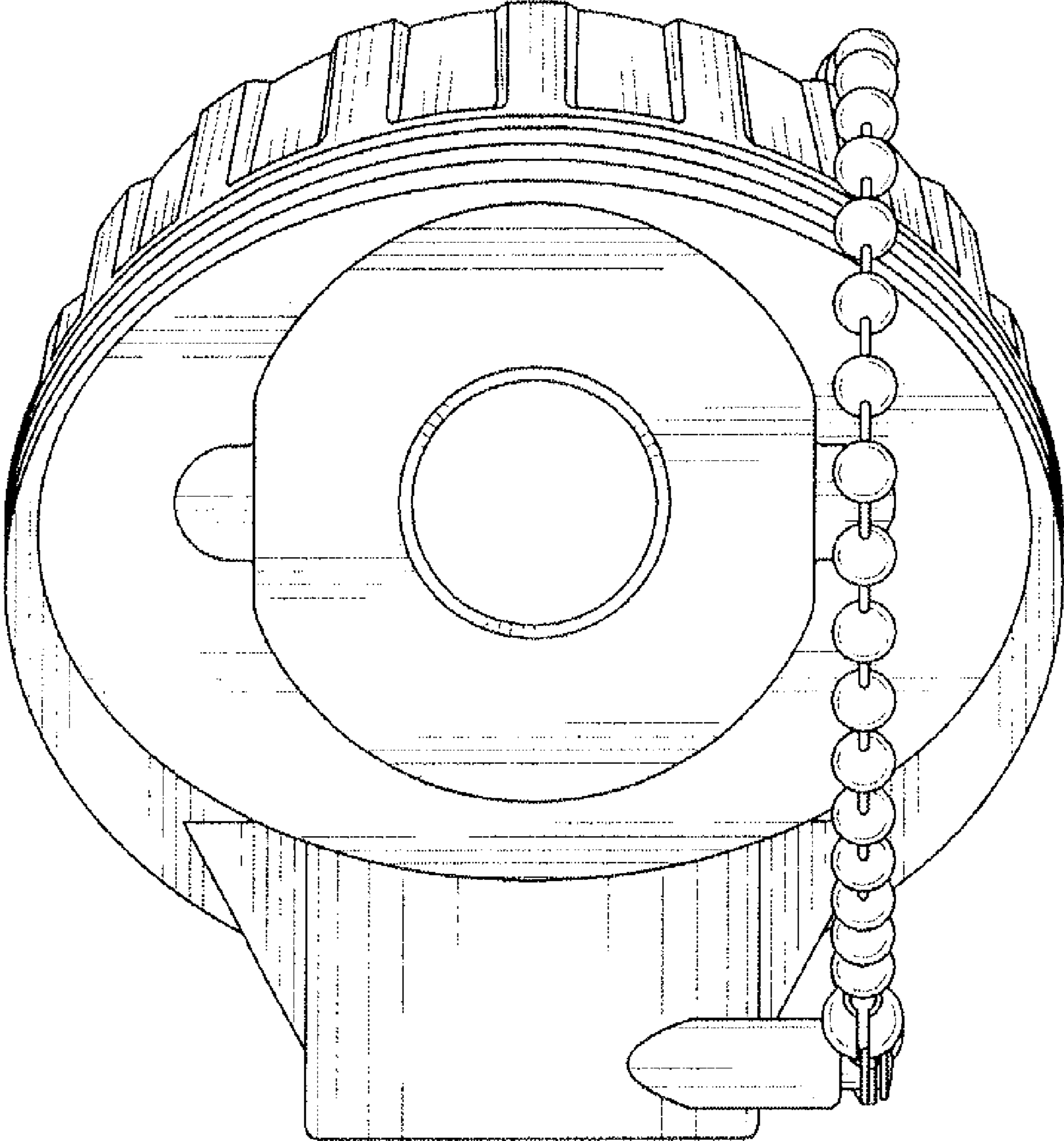


FIG. 7