

US00D663270S

(12) **United States Design Patent**
Lyford et al.

(10) **Patent No.:** **US D663,270 S**
(45) **Date of Patent:** **** Jul. 10, 2012**

(54) **RECEPTACLE FOR ACCESSORY-HOST INTERFACE**

(75) Inventors: **J. Steven Lyford**, Portland, OR (US);
Robert R. Kreitzer, Tigard, OR (US)

(73) Assignee: **Tektronix, Inc.**, Beaverton, OR (US)

(**) Term: **14 Years**

(21) Appl. No.: **29/382,164**

(22) Filed: **Dec. 29, 2010**

(51) **LOC (9) Cl.** **13-03**

(52) **U.S. Cl.** **D13/133; D13/154**

(58) **Field of Classification Search** D13/133,
D13/134, 135, 147, 154, 184, 199; D14/217,
D14/356, 358, 369, 383, 385, 432, 433, 439,
D14/440, 447, 454; D10/76, 78, 80; 439/180,
439/246, 252, 278, 374, 378, 379, 380, 381,
439/527, 529, 530, 533, 892, 894, 630

See application file for complete search history.

(56) **References Cited**

U.S. PATENT DOCUMENTS

D370,889	S	*	6/1996	Anthony	D13/146
D460,371	S	*	7/2002	Wrisley et al.	D10/78
D514,004	S	*	1/2006	Wrisley	D10/76
D556,066	S	*	11/2007	Hoang et al.	D10/76
D566,046	S	*	4/2008	Gabel et al.	D13/154
D566,047	S	*	4/2008	Gabel et al.	D13/154
D643,841	S	*	8/2011	Lyford et al.	D14/433
D649,970	S	*	12/2011	Lyford et al.	D14/433
D649,971	S	*	12/2011	Lyford et al.	D14/433

* cited by examiner

Primary Examiner — Daniel Bui

(74) *Attorney, Agent, or Firm* — William K. Bucher

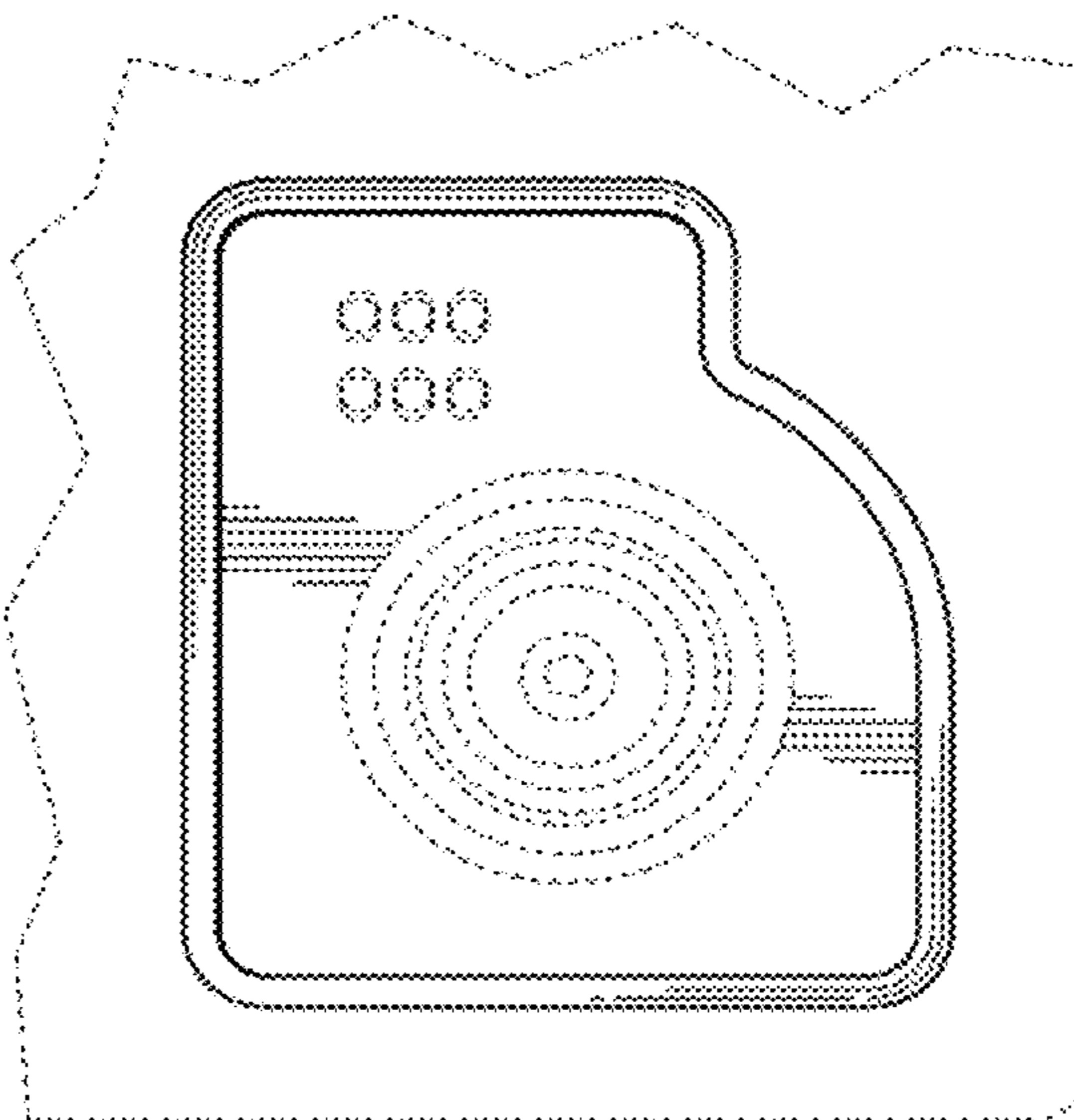
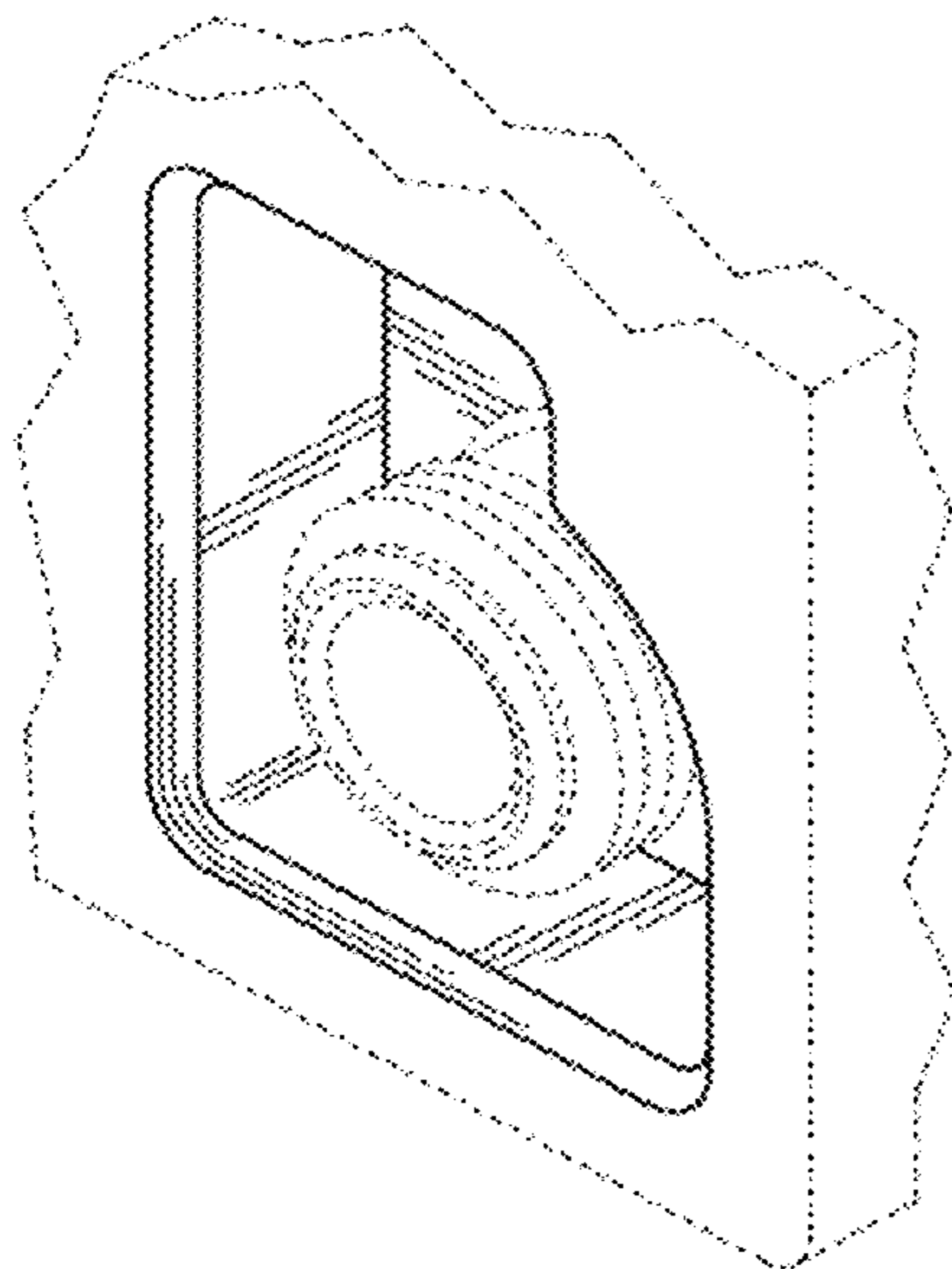
(57) **CLAIM**

The ornamental design of a receptacle for accessory-host interface, as shown and described.

DESCRIPTION

FIG. 1 is a front perspective view of a receptacle for accessory-host interface showing our new design; and, FIG. 2 is a front elevation view thereof. The broken line portion of the figure drawings is included for the purpose of illustrating environment and forms no part of the claimed design.

1 Claim, 1 Drawing Sheet



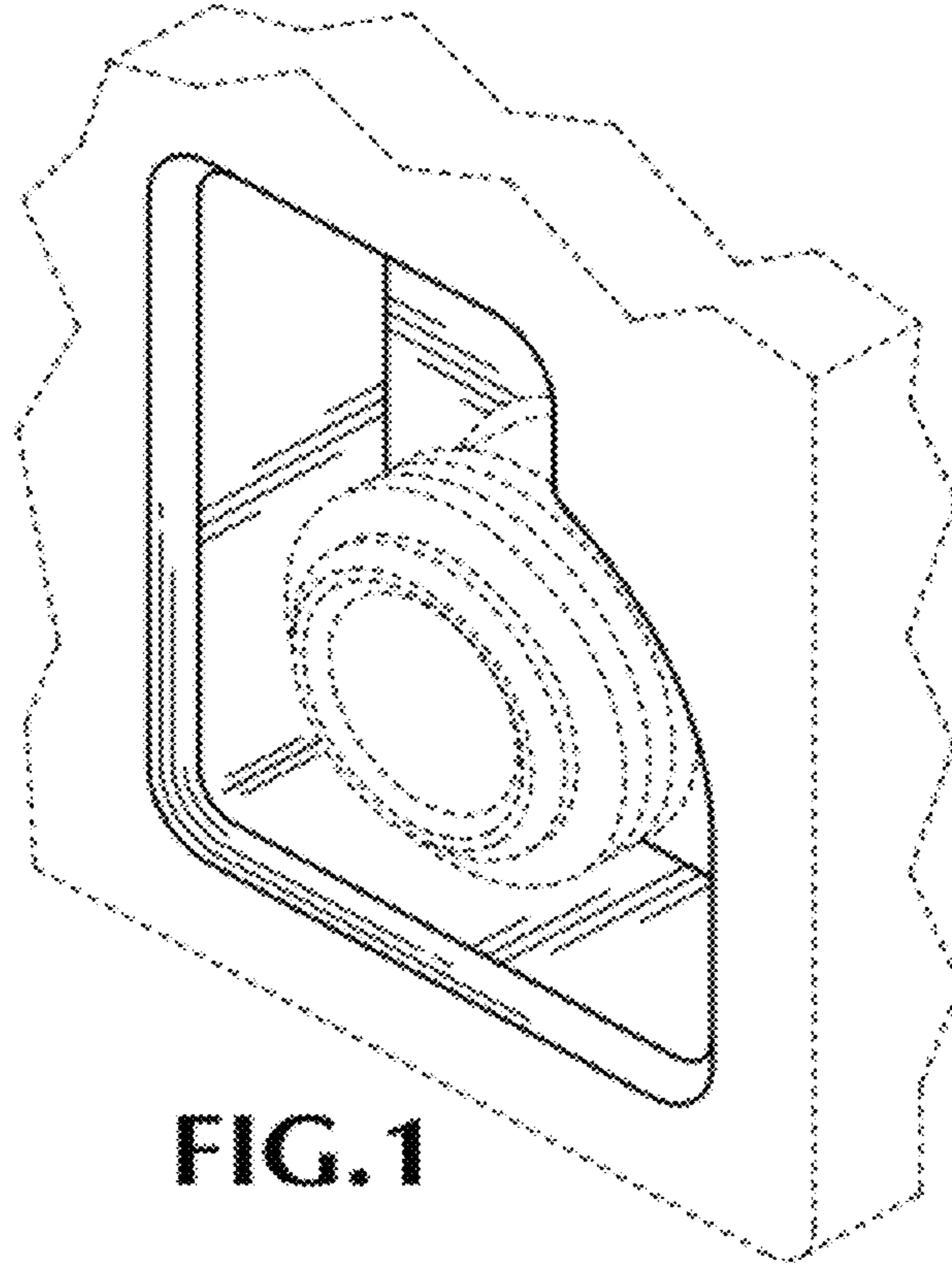


FIG. 1

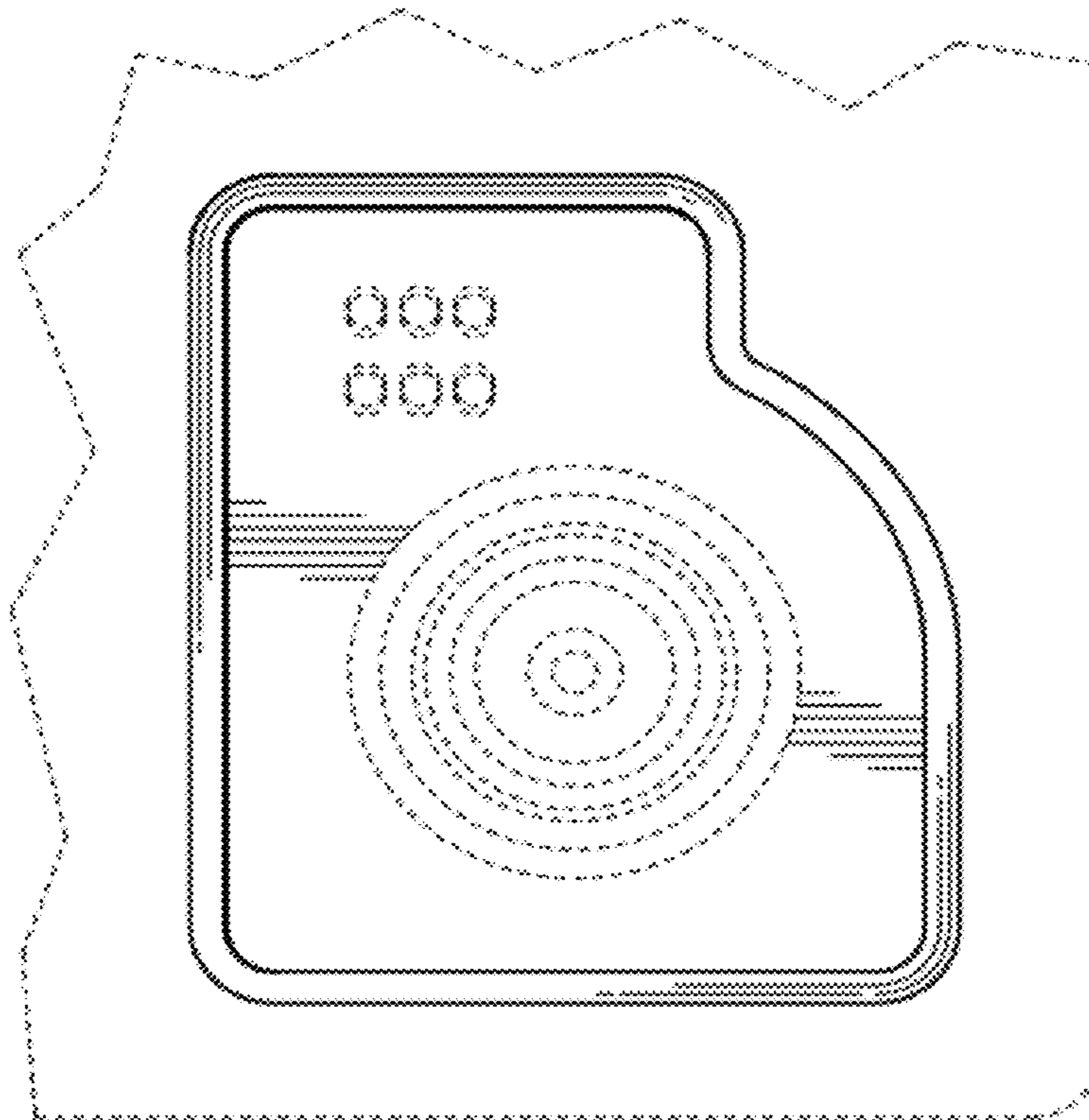


FIG. 2