

US00D663268S

(12) **United States Design Patent**  
**Andrieux**

(10) **Patent No.:** **US D663,268 S**  
(45) **Date of Patent:** **\*\* Jul. 10, 2012**

(54) **ELECTRIC MOTOR INCLUDING A  
FERROMAGNETIC YOKE AND EMBEDDED  
FLAT MAGNETS**

(75) Inventor: **Gael Andrieux**, Sonceboz (CH)

(73) Assignee: **Sonceboz Automotive S.A.**,  
Sonceboz-Sombeval (CH)

(\*\*) Term: **14 Years**

(21) Appl. No.: **29/413,197**

(22) Filed: **Feb. 13, 2012**

(51) **LOC (9) Cl.** ..... **13-01**

(52) **U.S. Cl.** ..... **D13/122; D13/183**

(58) **Field of Classification Search** ..... D13/122,  
D13/101, 112, 113, 118, 120, 183, 199; 29/598,  
29/609; 75/414, 678; 164/91; 266/217,  
266/233, 235; 310/40 R, 43, 156.01, 156.38,  
310/156.47, 184, 201, 216.001, 216.066,  
310/216.119, 218, 254, 257-263

See application file for complete search history.

(56) **References Cited**

U.S. PATENT DOCUMENTS

D204,382	S	*	4/1966	Sweeney et al.	.....	D13/183
4,203,328	A	*	5/1980	DeBoynton	.....	74/25
5,440,186	A		8/1995	Forsell et al.		
5,485,044	A		1/1996	Mackay et al.		
5,523,637	A	*	6/1996	Miller	.....	310/156.47

5,583,387	A	*	12/1996	Takeuchi et al.	.....	310/216.009
5,764,010	A		6/1998	Maue et al.		
5,841,249	A		11/1998	Zimmer et al.		
5,924,324	A		7/1999	Kilker et al.		
6,205,612	B1		3/2001	Tilli et al.		
D441,715	S	*	5/2001	Sasaki et al.	.....	D13/122
D550,621	S	*	9/2007	Vuorio et al.	.....	D13/118
7,898,122	B2		3/2011	Andrieux et al.		
2008/0284261	A1		11/2008	Andrieux et al.		
2011/0057524	A1		3/2011	Andrieux et al.		

\* cited by examiner

*Primary Examiner* — Derrick Holland

(74) *Attorney, Agent, or Firm* — Harness, Dickay & Pierce, P.L.C.

(57) **CLAIM**

The ornamental design for an electric motor including a ferromagnetic yoke and embedded flat magnets, as shown and described.

**DESCRIPTION**

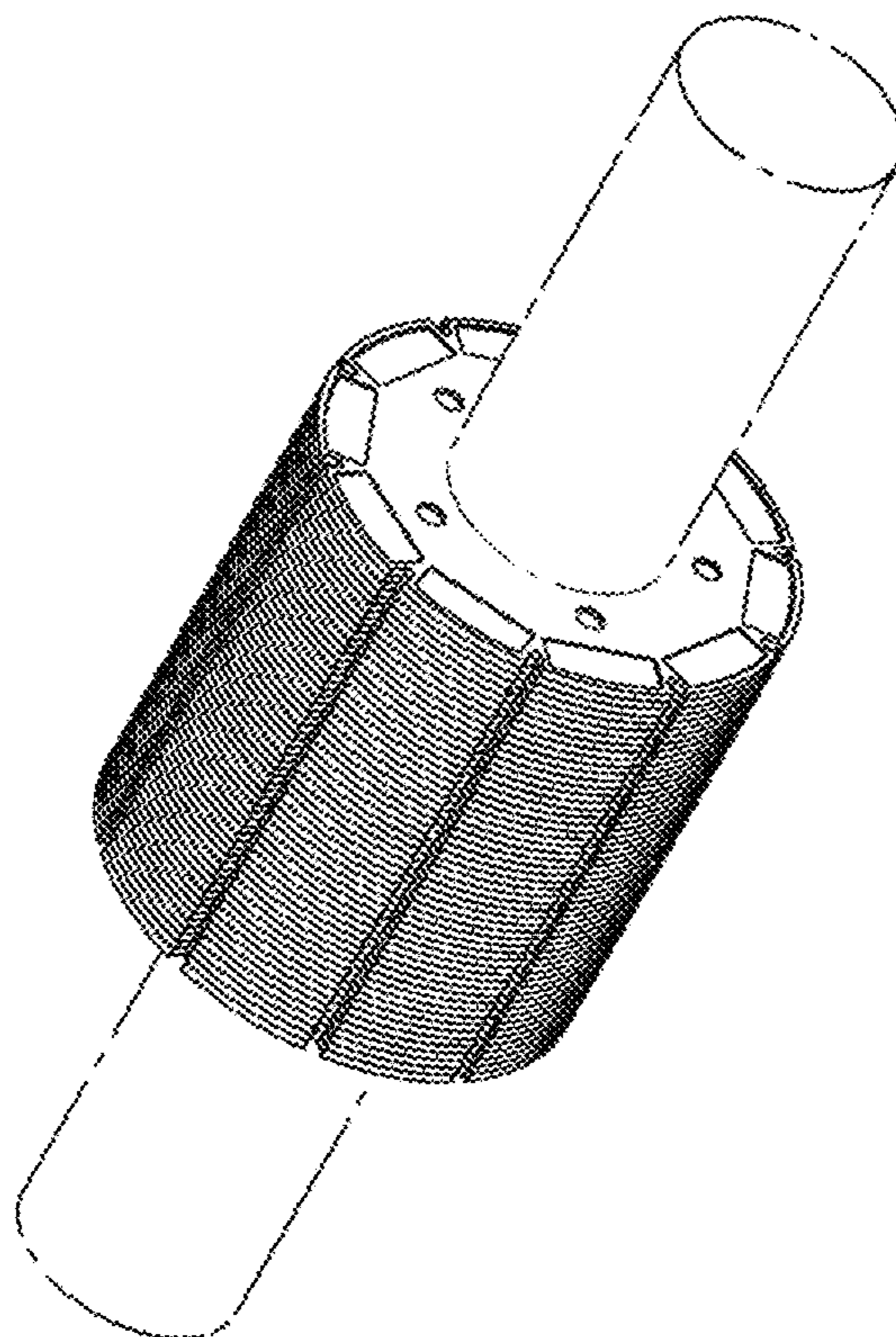
FIG. 1 is a perspective view of an electric motor including a ferromagnetic yoke and embedded flat magnets showing my new design;

FIG. 2 is a side elevational view thereof; and,

FIG. 3 is an end elevational view thereof, the opposite end being a mirror image.

The dashed broken lines of a shaft illustrate portions of the design that form no part of the claim.

**1 Claim, 3 Drawing Sheets**





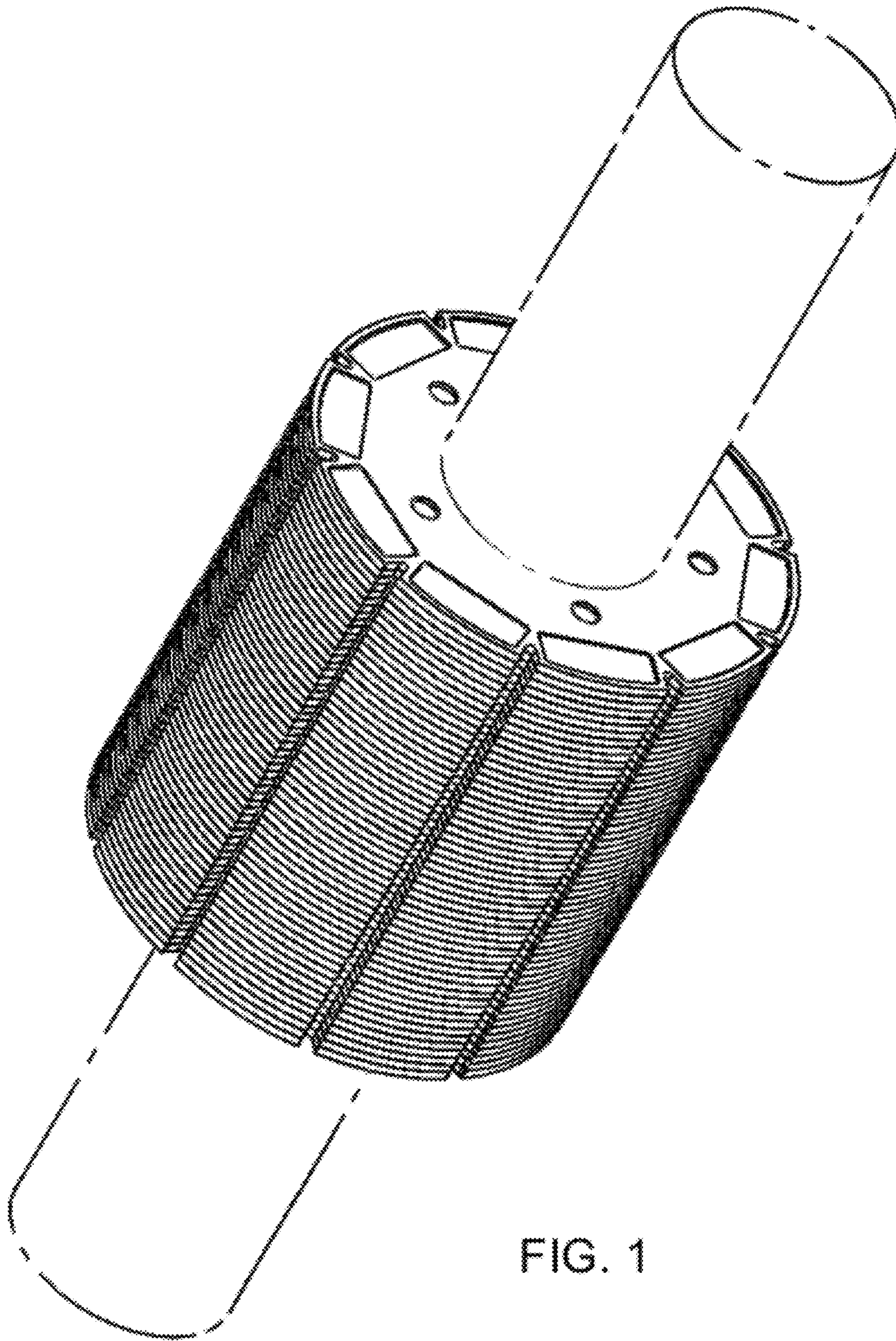


FIG. 1

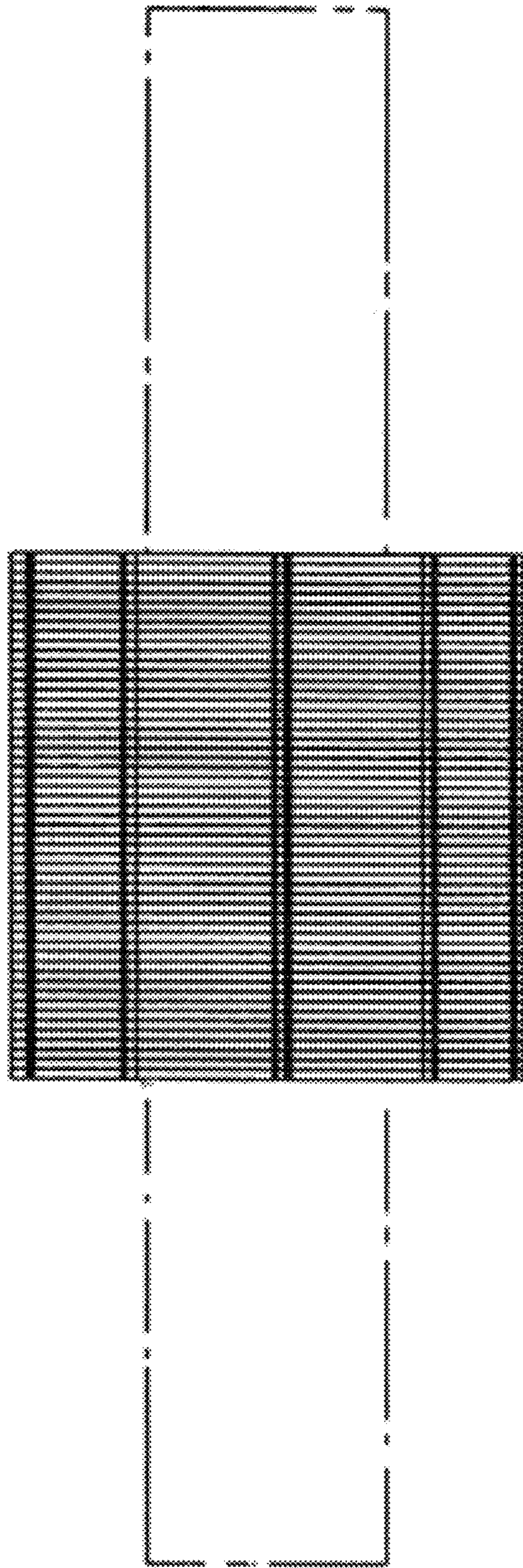


FIG. 2



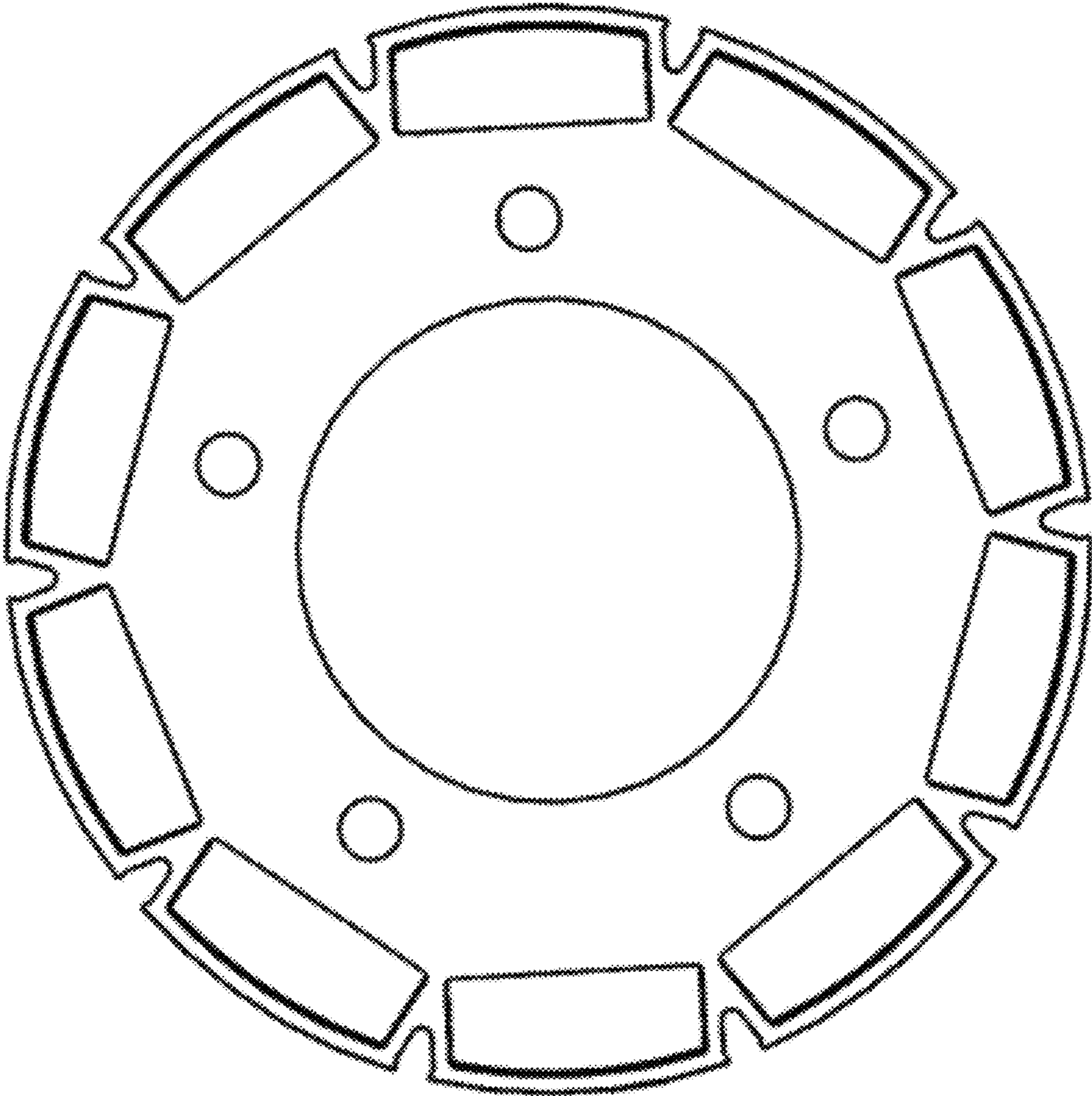


FIG. 3