



US00D663266S

(12) **United States Design Patent**
Tien

(10) **Patent No.:** **US D663,266 S**

(45) **Date of Patent:** **** Jul. 10, 2012**

(54) **POWER MODULE**

(75) Inventor: **Li-Wen Tien**, New Taipei (TW)

(73) Assignee: **Hon Hai Precision Industry Co., Ltd.**,
Tu-Cheng, New Taipei (TW)

(**) Term: **14 Years**

(21) Appl. No.: **29/402,996**

(22) Filed: **Sep. 30, 2011**

(51) **LOC (9) Cl.** **13-02**

(52) **U.S. Cl.** **D13/110**

(58) **Field of Classification Search** D13/110,
D13/107, 108, 123, 133, 137.1, 199; D14/433,
D14/435, 435.1; 174/53, 54, 59, 61; 307/150,
307/151; 320/111, 114; 363/140, 142, 143,
363/146; 439/105, 166, 171-173, 218, 518,
439/692, 956

See application file for complete search history.

(56) **References Cited**

U.S. PATENT DOCUMENTS

D338,188	S	*	8/1993	Lee et al.	D13/110
D383,115	S	*	9/1997	Nagele et al.	D13/110
5,973,948	A	*	10/1999	Hahn et al.	363/146
6,086,395	A	*	7/2000	Lloyd et al.	439/172
6,544,051	B1	*	4/2003	Su	439/131
D483,721	S	*	12/2003	Kim et al.	D13/110

D484,853	S	*	1/2004	Alviar	D13/110
D519,922	S	*	5/2006	Andre et al.	D13/110
D562,766	S	*	2/2008	Yang	D13/110
D572,712	S	*	7/2008	Ledbetter et al.	D14/432
D579,410	S	*	10/2008	Hanada et al.	D13/110

* cited by examiner

Primary Examiner — Derrick Holland

(74) *Attorney, Agent, or Firm* — Altis Law Group, Inc.

(57) **CLAIM**

The ornamental design for a power module, as shown and described.

DESCRIPTION

FIG. 1 is a front perspective view of a power module showing my new design;

FIG. 2 is a front elevational view thereof;

FIG. 3 is a rear elevational view thereof;

FIG. 4 is a left side elevational view thereof;

FIG. 5 is a right side elevational view thereof;

FIG. 6 is a top plan view thereof;

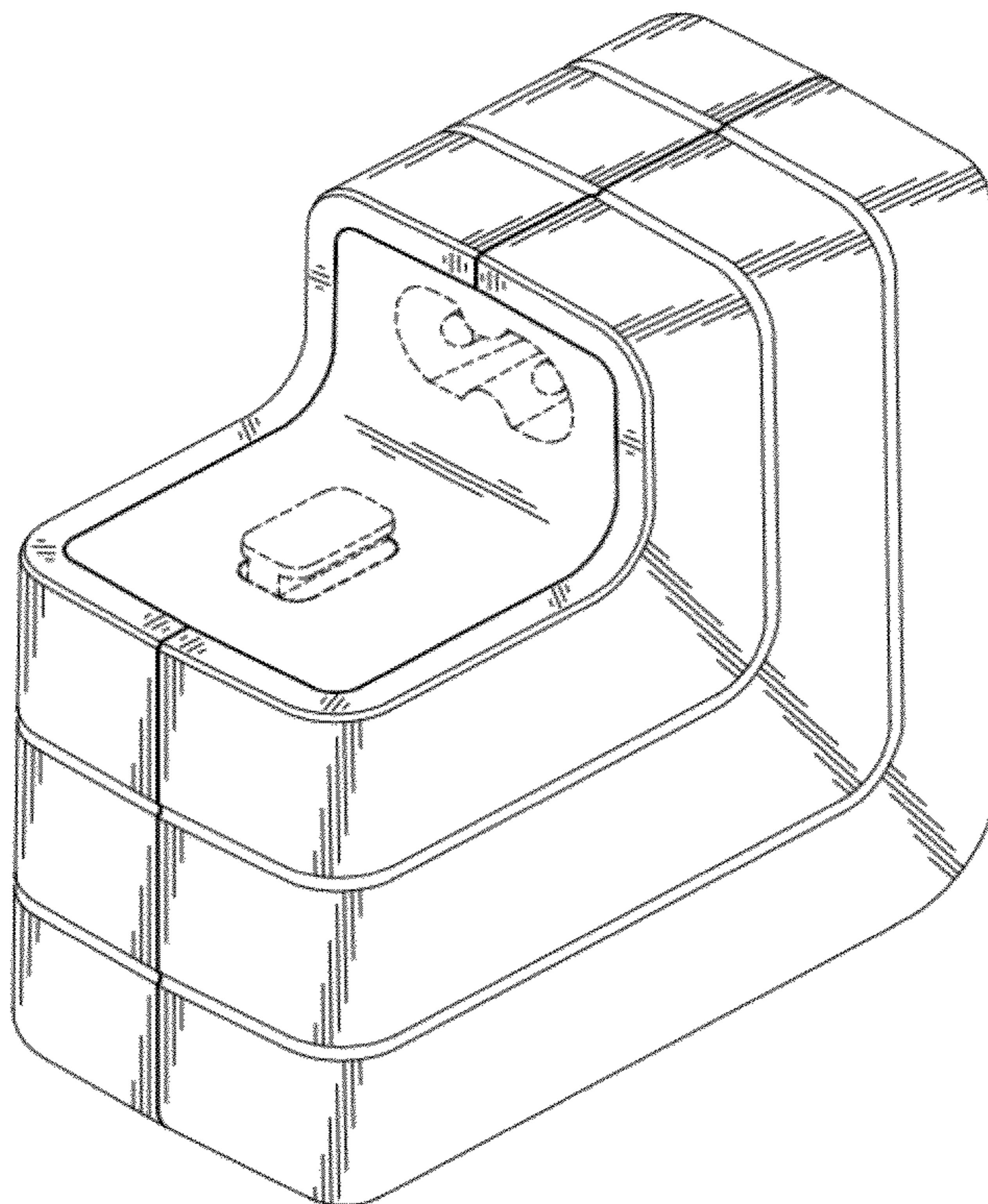
FIG. 7 is a bottom plan view thereof;

FIG. 8 is a front perspective view of the power module of FIG. 1 coupled with a plug adapter having three pins; and,

FIG. 9 is a front perspective view of the power module of FIG. 1 coupled with a plug adapter having two pins.

The broken lines of the figures are for the purpose of illustrating environment and form no part of the claimed design.

1 Claim, 9 Drawing Sheets



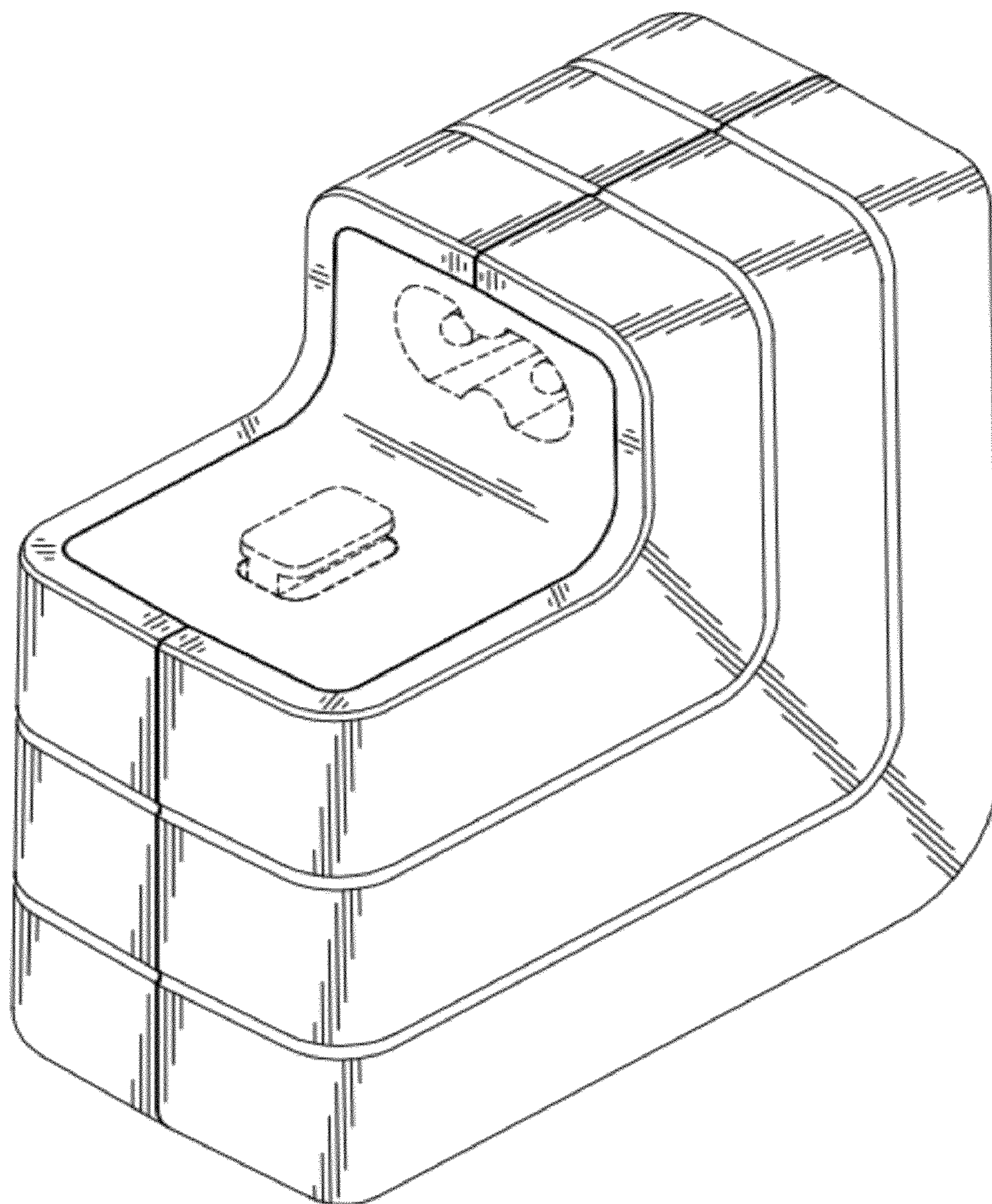


FIG. 1

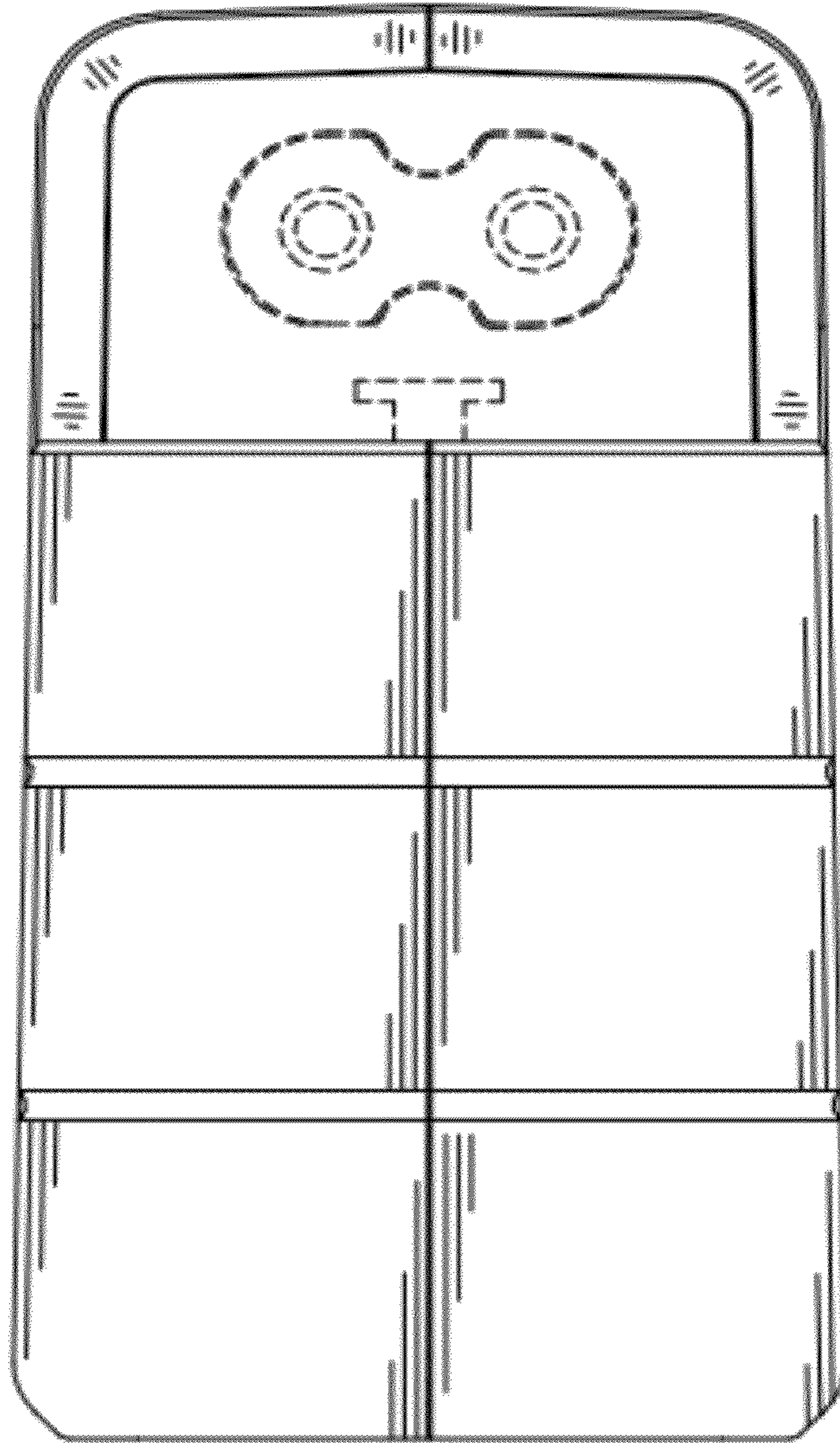


FIG. 2

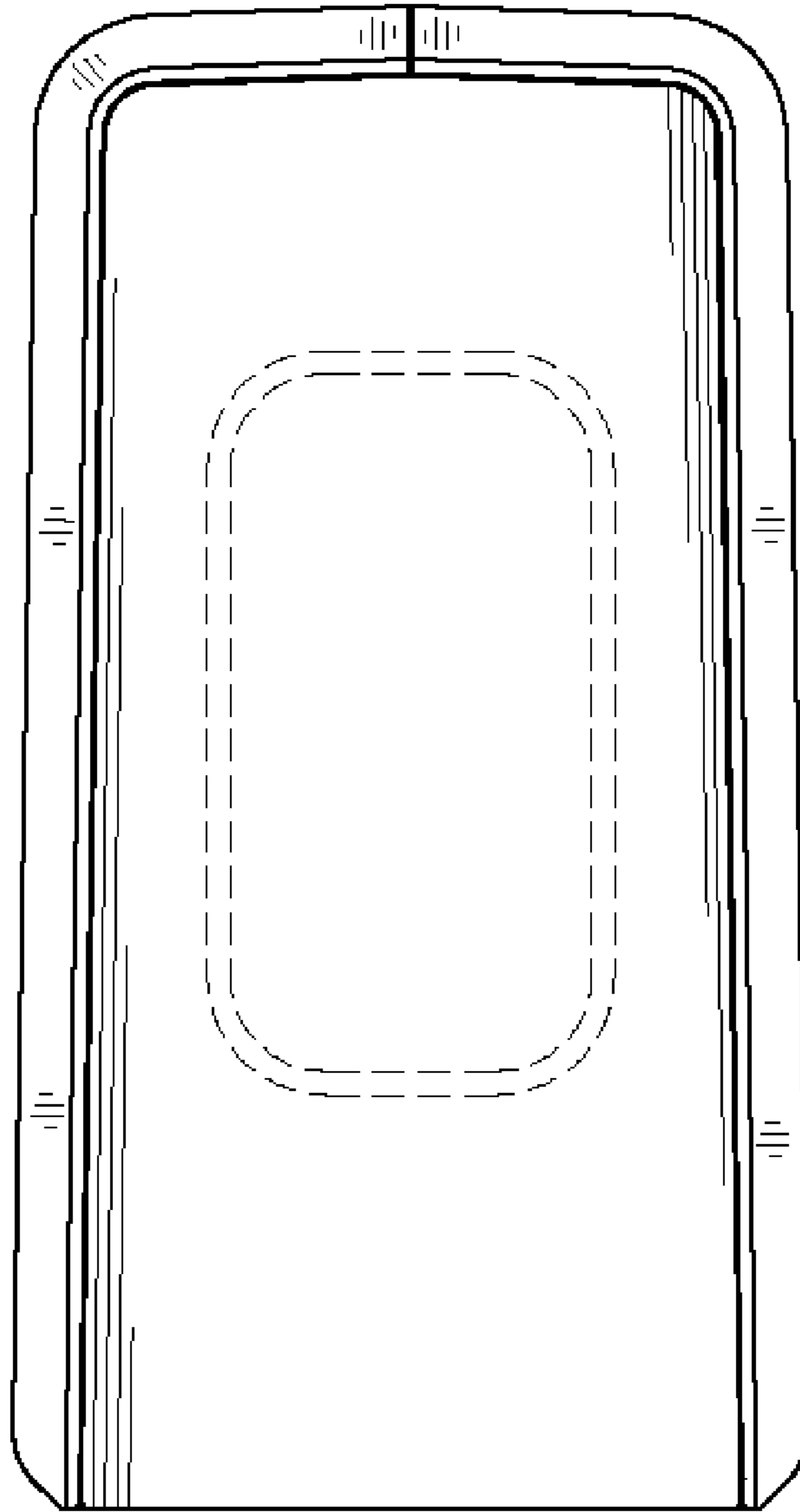


FIG. 3

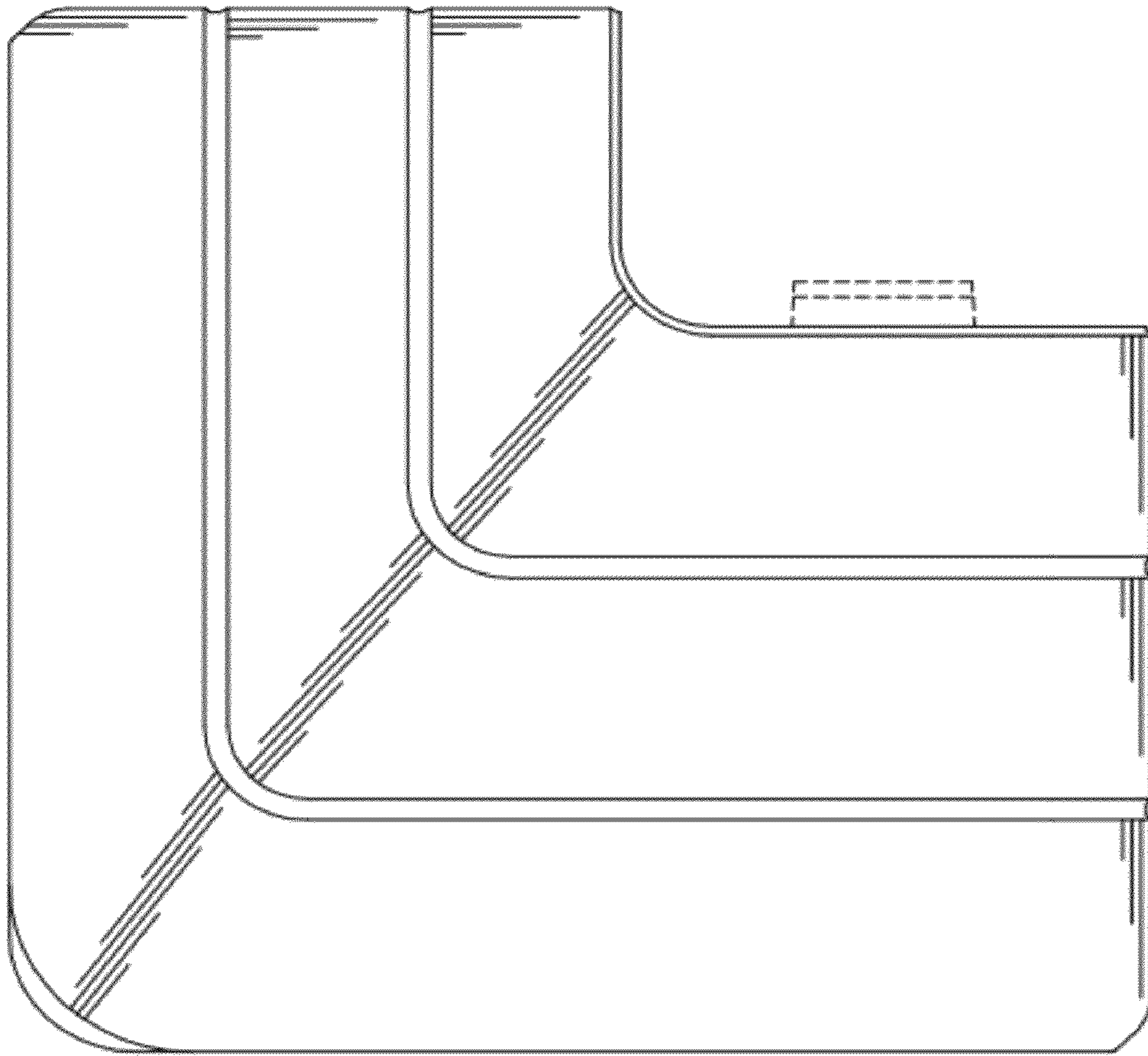


FIG. 4

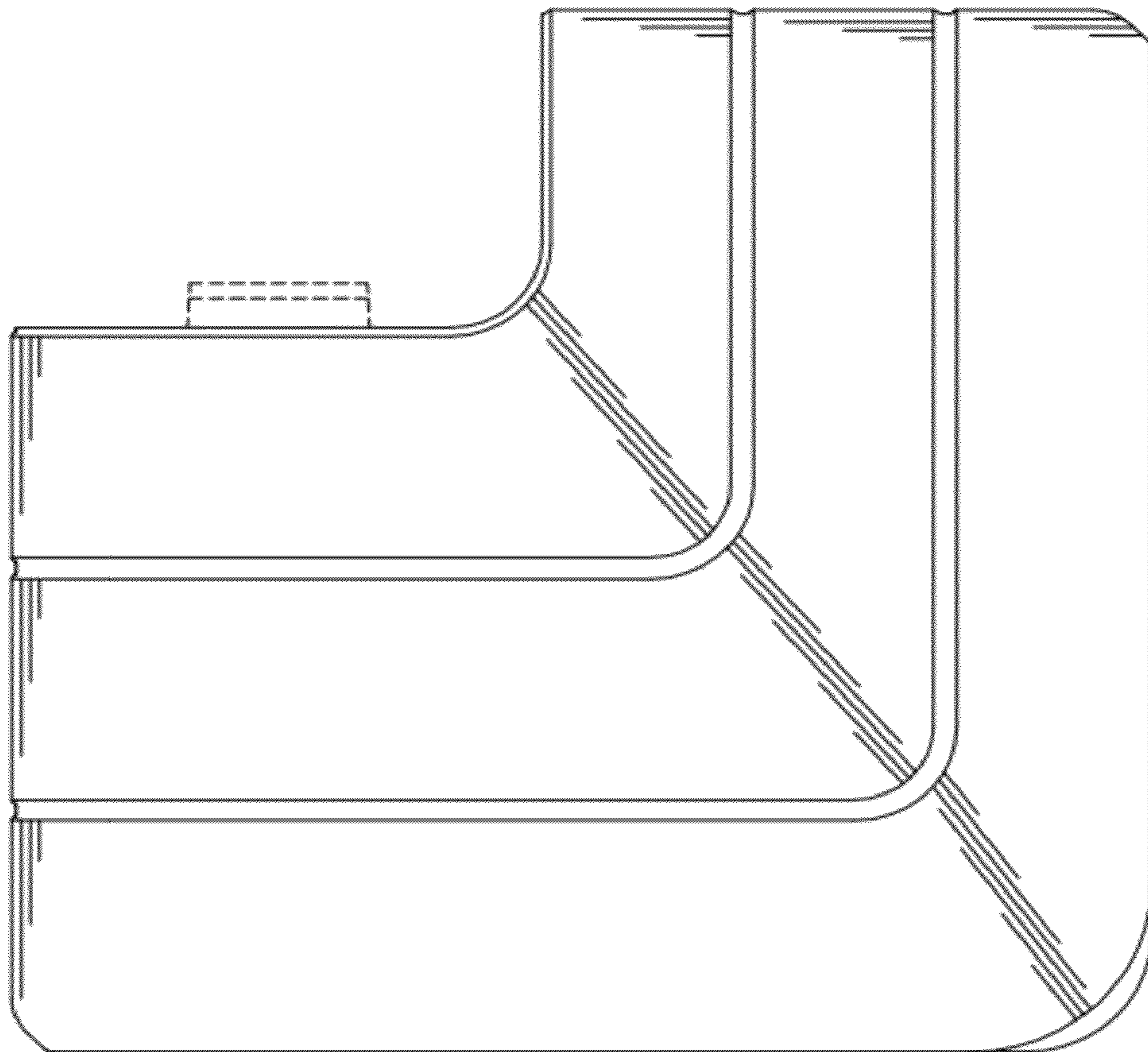


FIG. 5

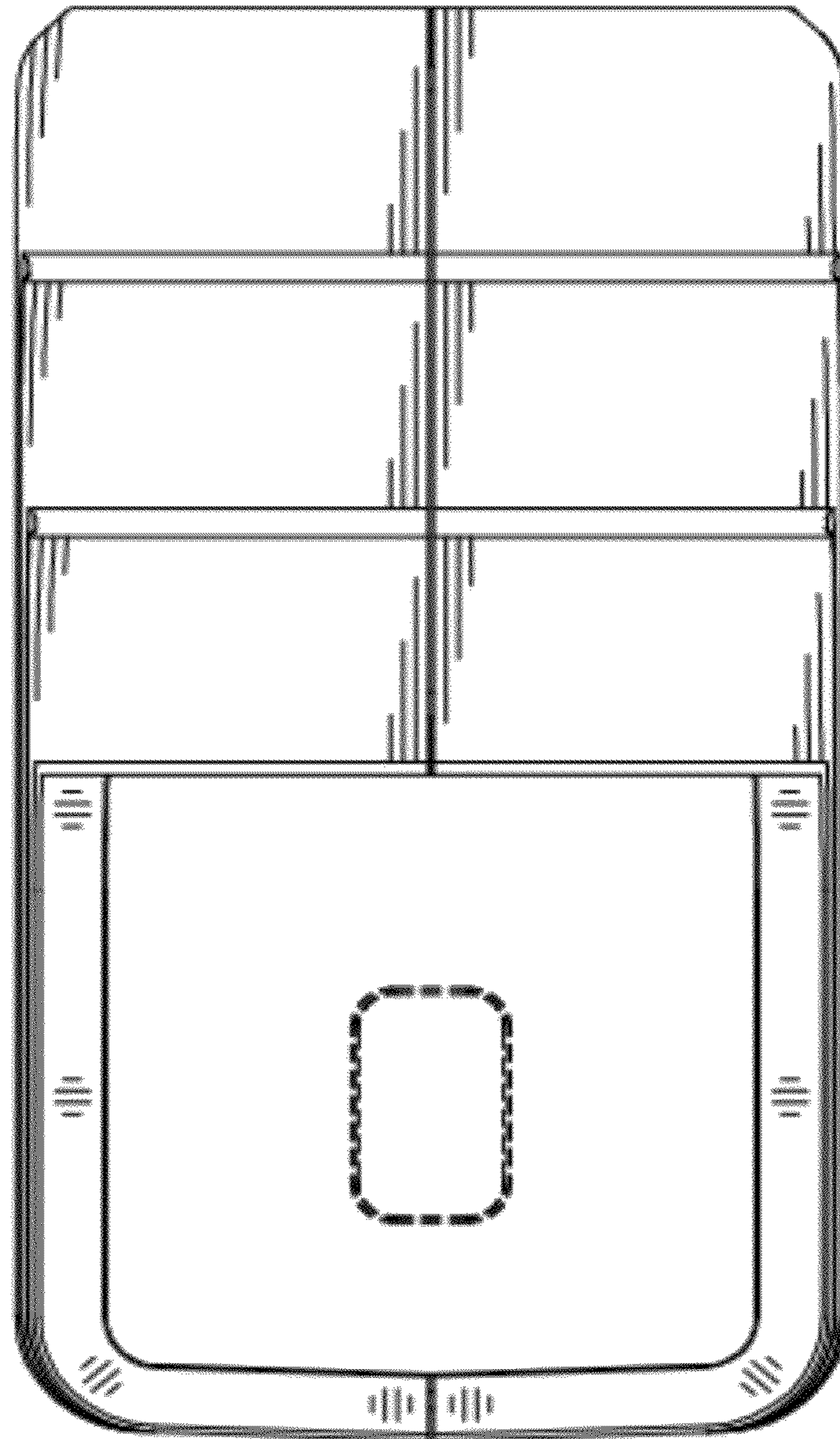


FIG. 6

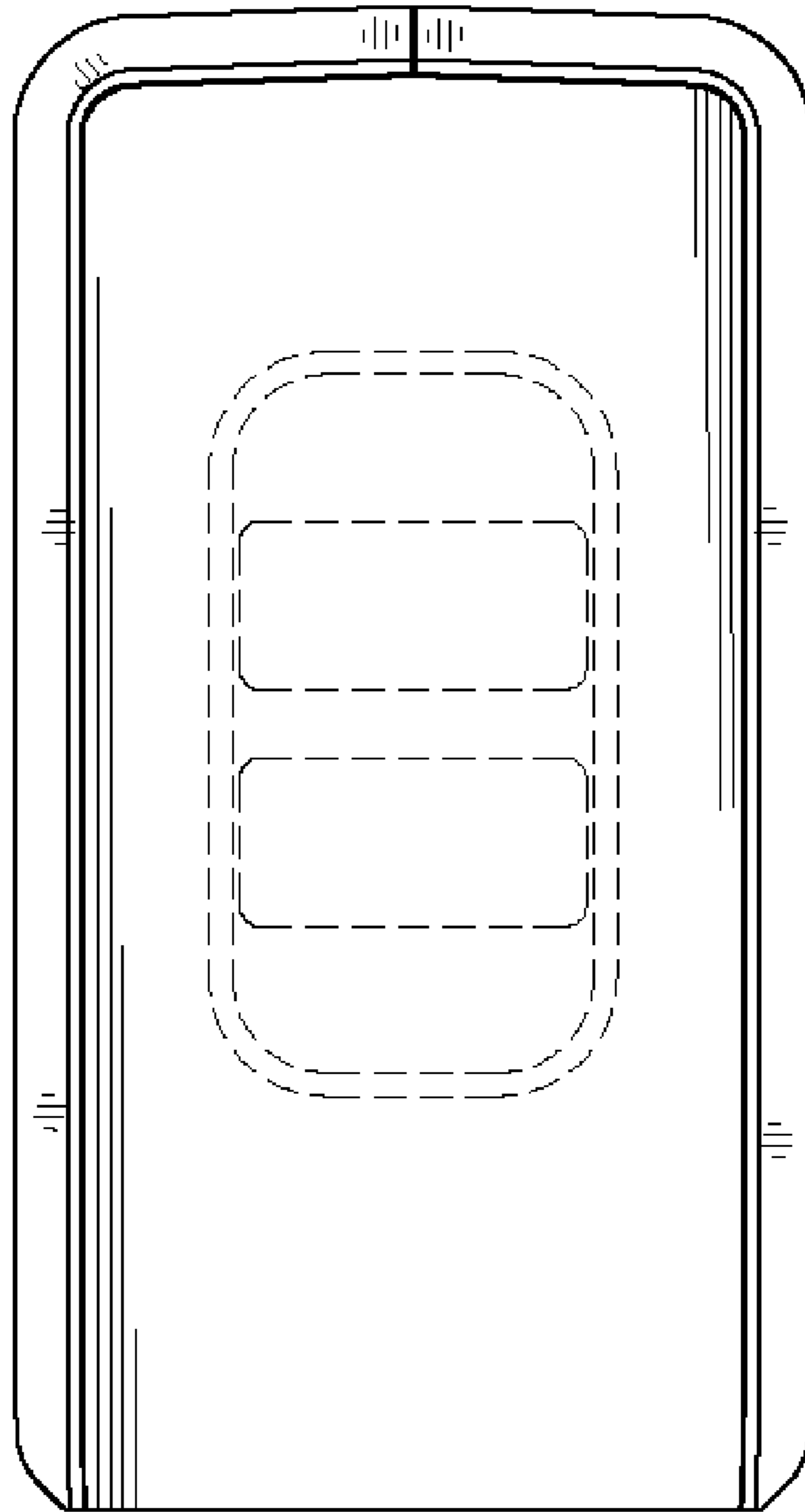


FIG. 7

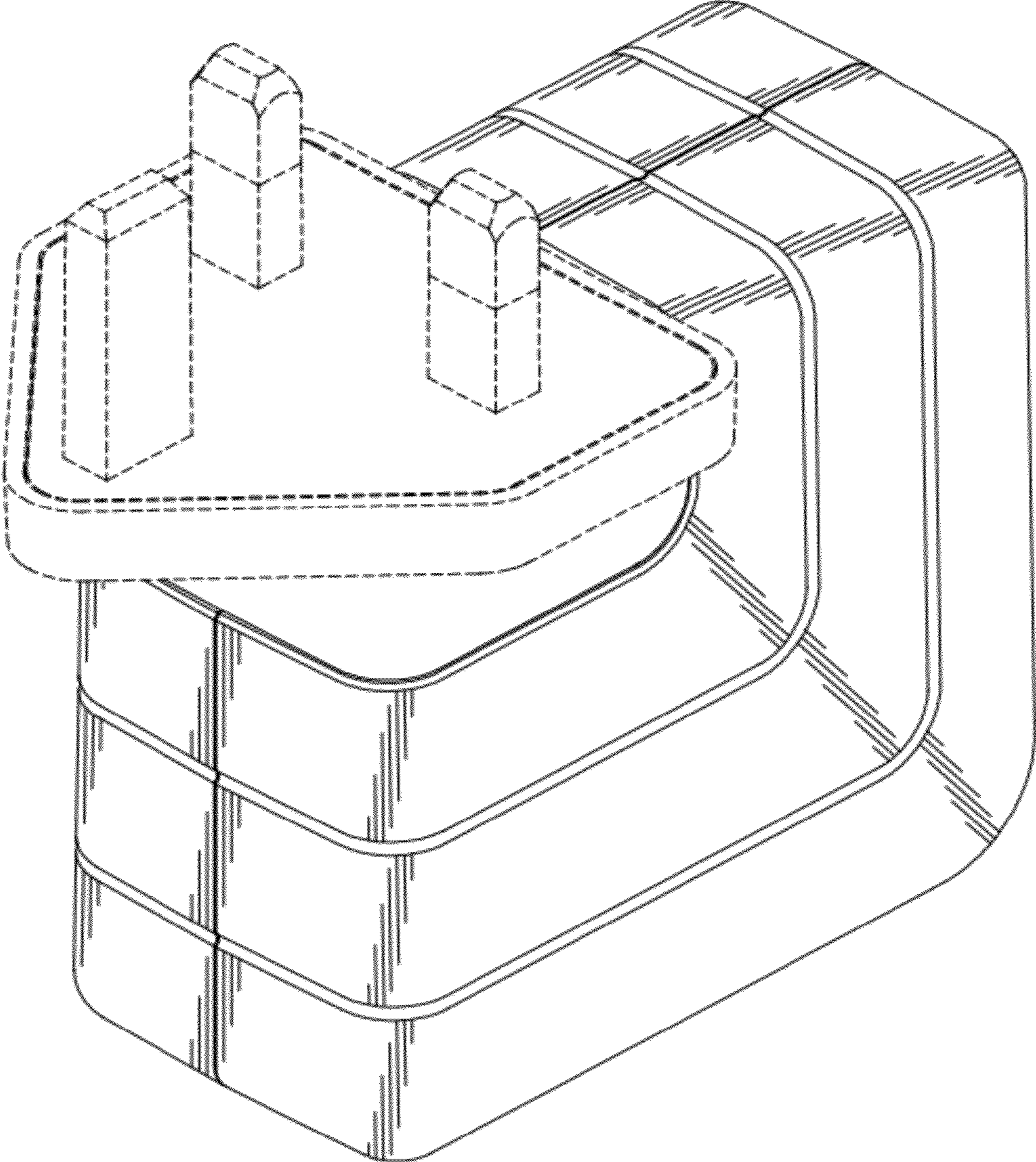


FIG. 8

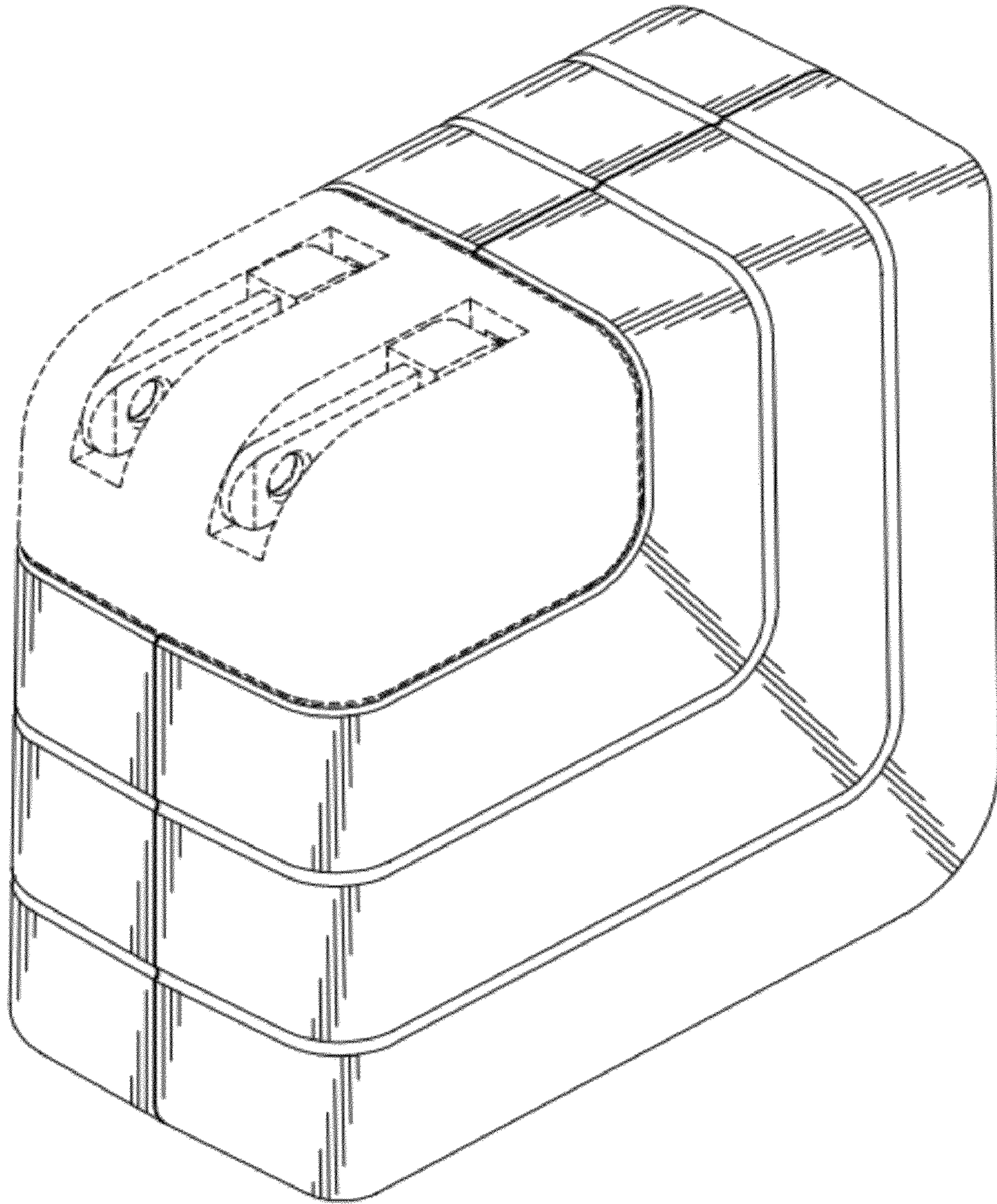


FIG. 9