



US00D663265S

(12) **United States Design Patent**
Fuhr et al.

(10) **Patent No.:** **US D663,265 S**

(45) **Date of Patent:** **** Jul. 10, 2012**

(54) **EXPANDABLE WIRELESS CHARGING
DEVICE**

(76) Inventors: **Jay Fuhr**, Issaquah, WA (US); **Kurt
Bartling**, Issaquah, WA (US)

(**) Term: **14 Years**

(21) Appl. No.: **29/406,091**

(22) Filed: **Nov. 9, 2011**

(51) **LOC (9) Cl.** **13-02**

(52) **U.S. Cl.** **D13/108**

(58) **Field of Classification Search** D13/107–110,
D13/118–119, 184; D14/251, 253, 432,
D14/434; 320/107–115

See application file for complete search history.

(56) **References Cited**

U.S. PATENT DOCUMENTS

| | | | |
|--------------|---------|----------------------|---------|
| D278,703 S | 5/1985 | Chiodo et al. | |
| D328,450 S * | 8/1992 | Watanabe et al. | D13/108 |
| D373,992 S | 9/1996 | Rosen et al. | |
| D427,970 S | 7/2000 | Sage | |
| D512,019 S | 11/2005 | Lie | |
| D528,072 S | 9/2006 | Chen et al. | |
| D529,495 S * | 10/2006 | Kent et al. | D14/356 |
| D538,740 S | 3/2007 | Dunbar | |
| D601,953 S | 10/2009 | Asai | |
| D609,637 S * | 2/2010 | Chu et al. | D13/108 |
| D609,638 S * | 2/2010 | Biheller et al. | D13/108 |
| D611,407 S | 3/2010 | Webb | |
| D623,133 S * | 9/2010 | Nomi et al. | D13/108 |
| D629,355 S | 12/2010 | Bodley et al. | |
| D631,435 S | 1/2011 | Casioppo et al. | |
| D638,020 S | 5/2011 | Johnson et al. | |

| | | | |
|--------------|---------|-------------------|---------|
| D640,973 S * | 7/2011 | Katsaros | D13/102 |
| D648,707 S * | 11/2011 | Akana et al. | D14/217 |
| D654,019 S * | 2/2012 | Ikegame | D13/108 |

* cited by examiner

Primary Examiner — Rosemary K Tarcza

(74) *Attorney, Agent, or Firm* — QuickPatents, Inc.; Kevin Prince

(57) **CLAIM**

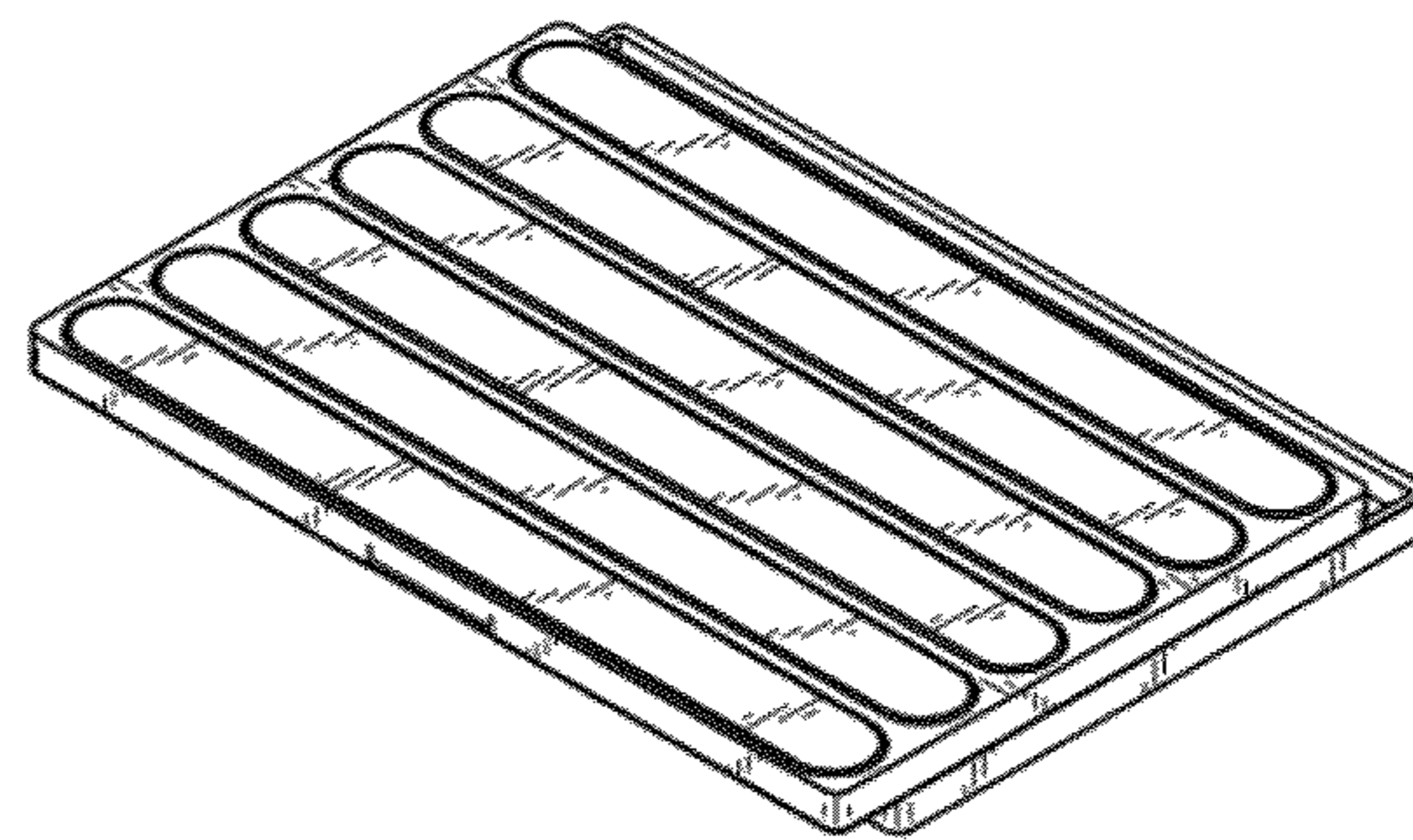
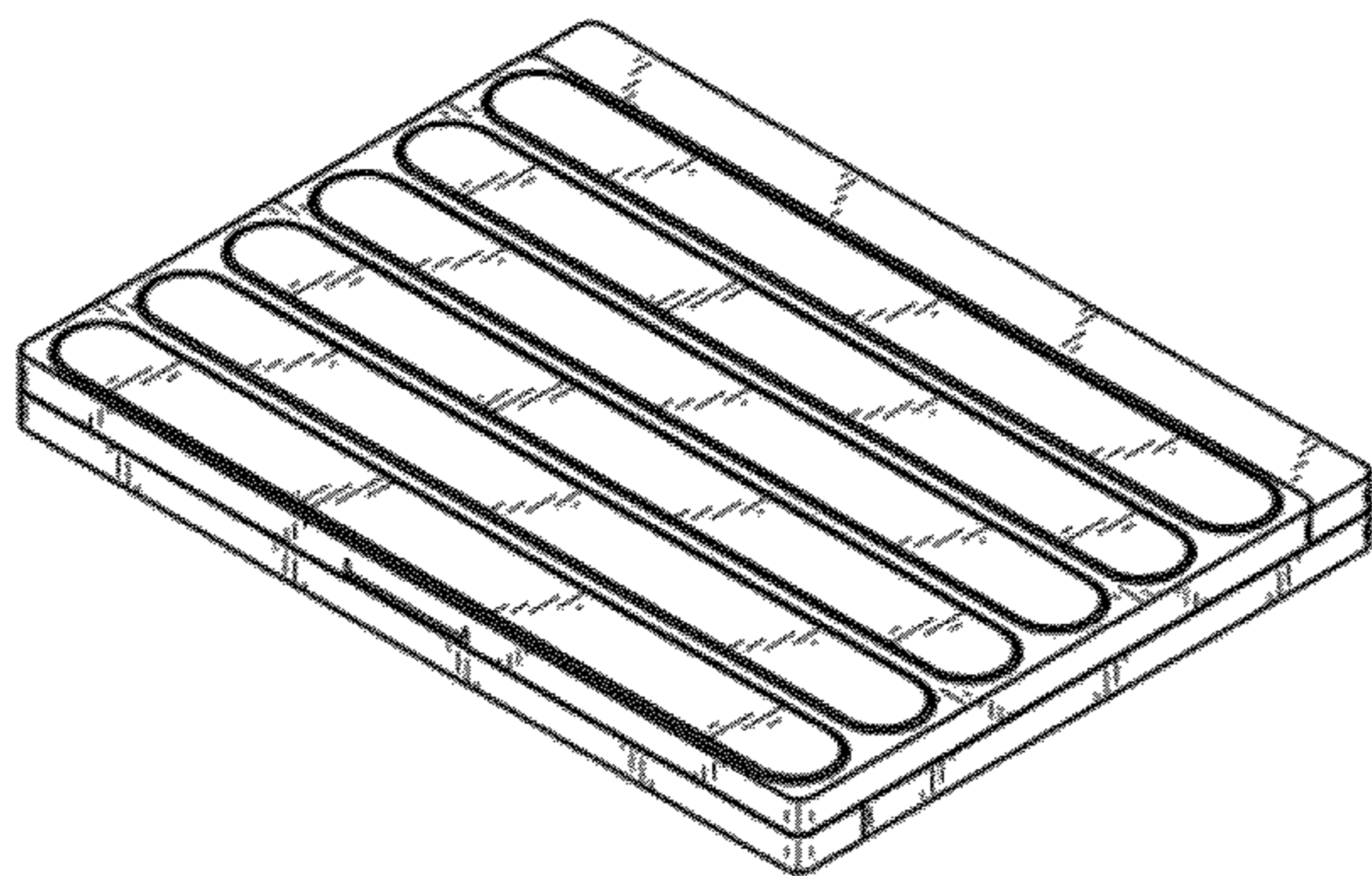
We claim the ornamental design for an expandable wireless charging device, as shown and described.

DESCRIPTION

FIG. 1 is an exploded perspective view of an expandable wireless charging device, showing our new design;
 FIG. 2 is a perspective view thereof, illustrated in an assembled configuration;
 FIG. 3 is a top plan view of FIG. 2;
 FIG. 4 is a bottom plan view of FIG. 2;
 FIG. 5 is a right-side elevational view of FIG. 2, the left-side elevational view being a mirror image thereof;
 FIG. 6 is a front elevational view of FIG. 2;
 FIG. 7 is a rear elevational view of FIG. 2;
 FIG. 8 is a perspective view thereof, illustrated with two covers omitted for clarity of illustration;
 FIG. 9 is a top plan view of FIG. 8;
 FIG. 10 is a right-side elevational view of FIG. 8, the left-side elevational view being a mirror image thereof;
 FIG. 11 is a bottom plan view of FIG. 8;
 FIG. 12 is a front elevational view of FIG. 8; and,
 FIG. 13 is a rear elevational view of FIG. 8.

The broken lines showing adjacent expandable wireless charging devices in FIG. 1 and charging ports in FIGS. 7 and 13 and fasteners in FIGS. 4, 9 and 11 depict environmental matter and form no part of the claimed design.

1 Claim, 3 Drawing Sheets



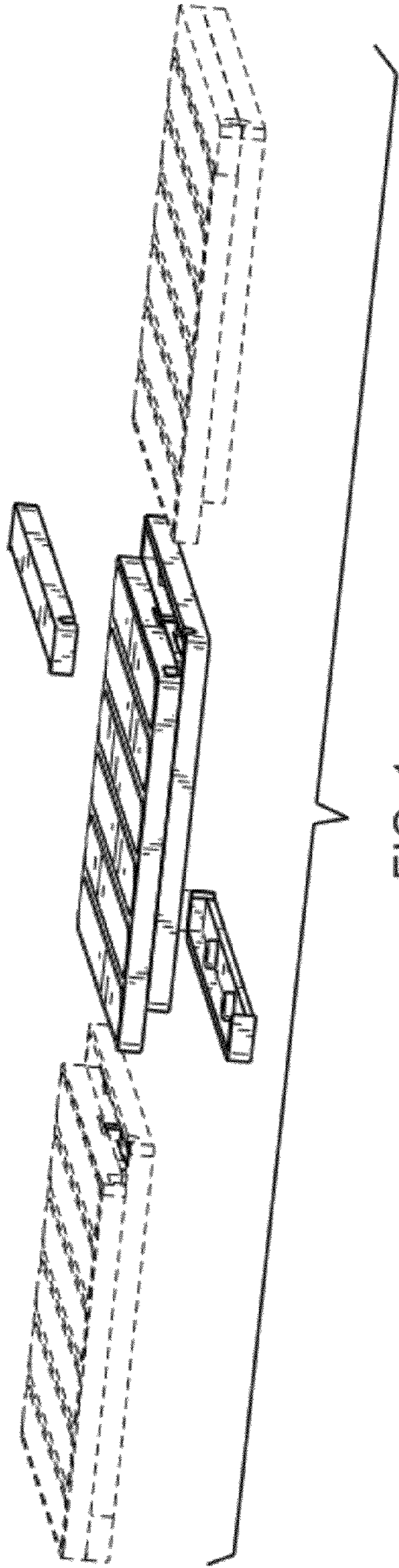


FIG. 1

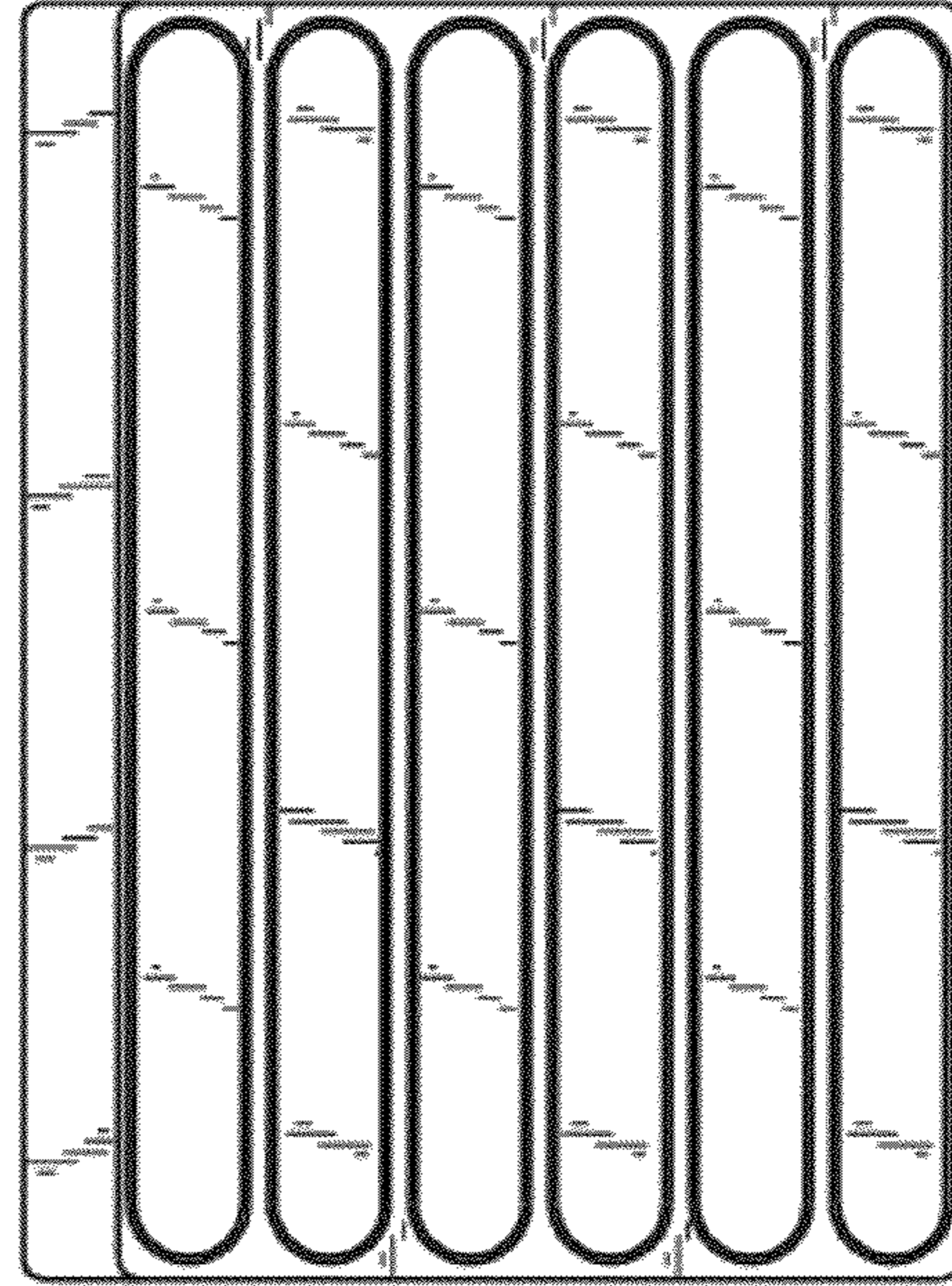


FIG. 3

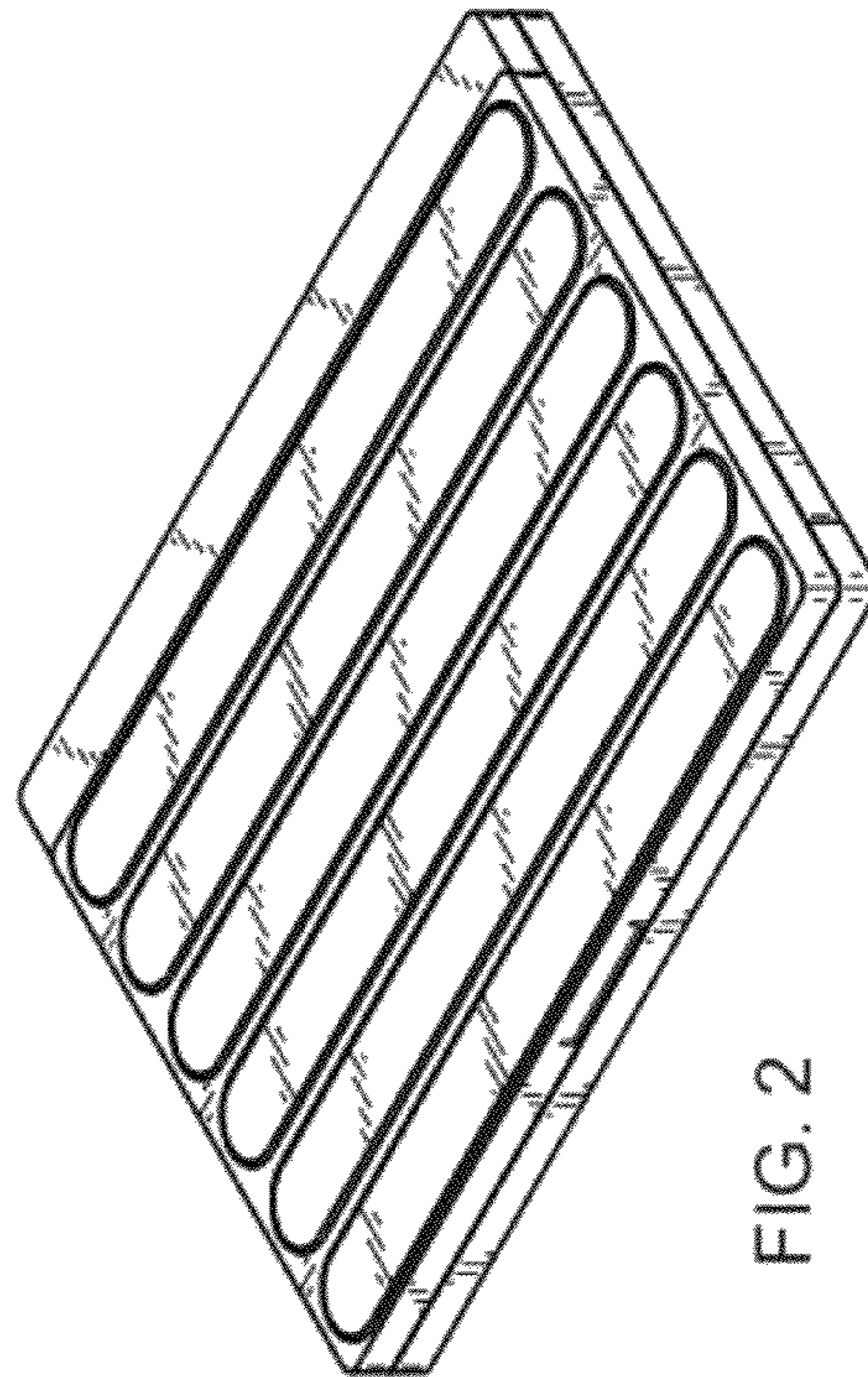


FIG. 2

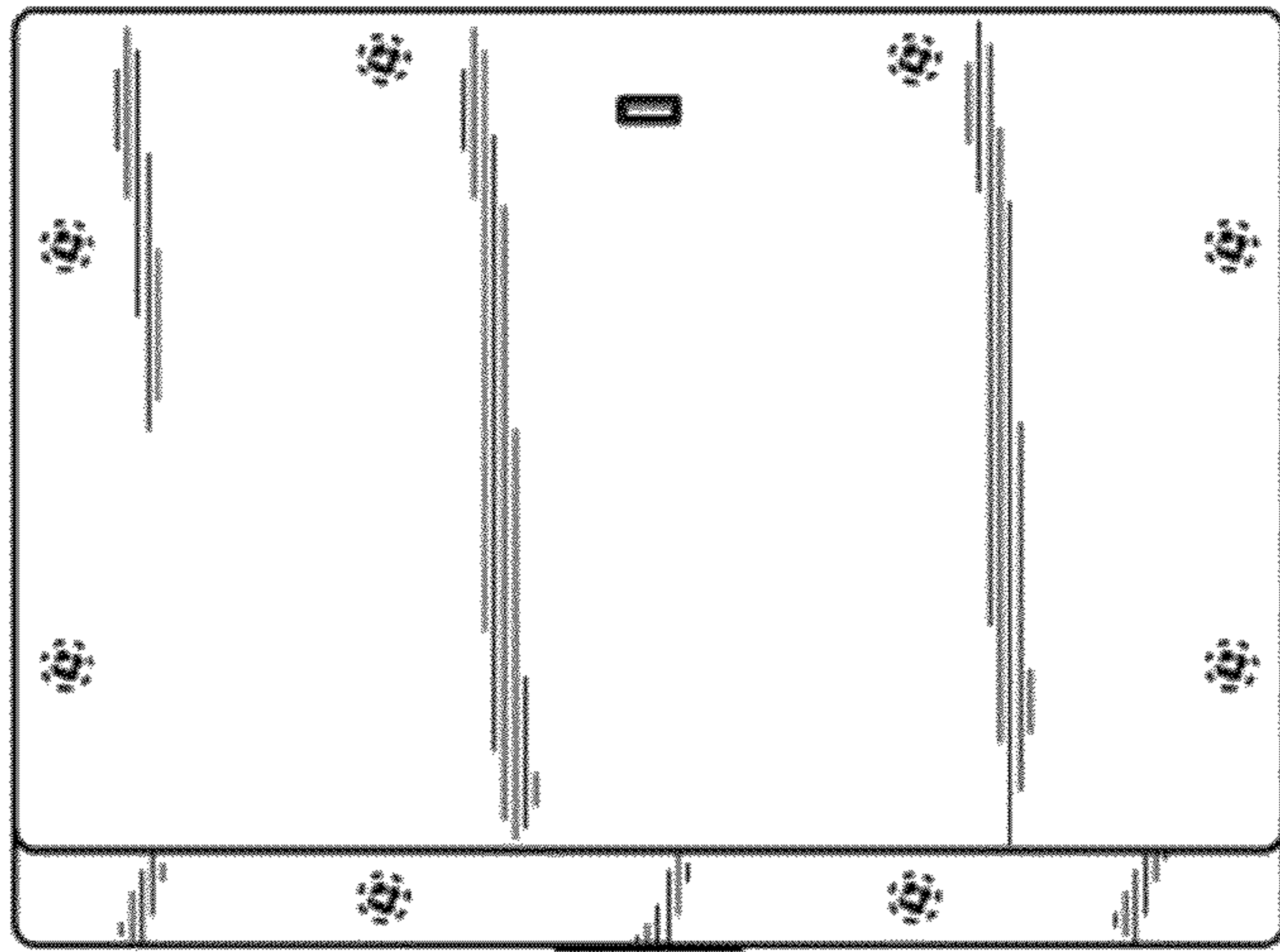


FIG. 4



FIG. 5



FIG. 6



FIG. 7

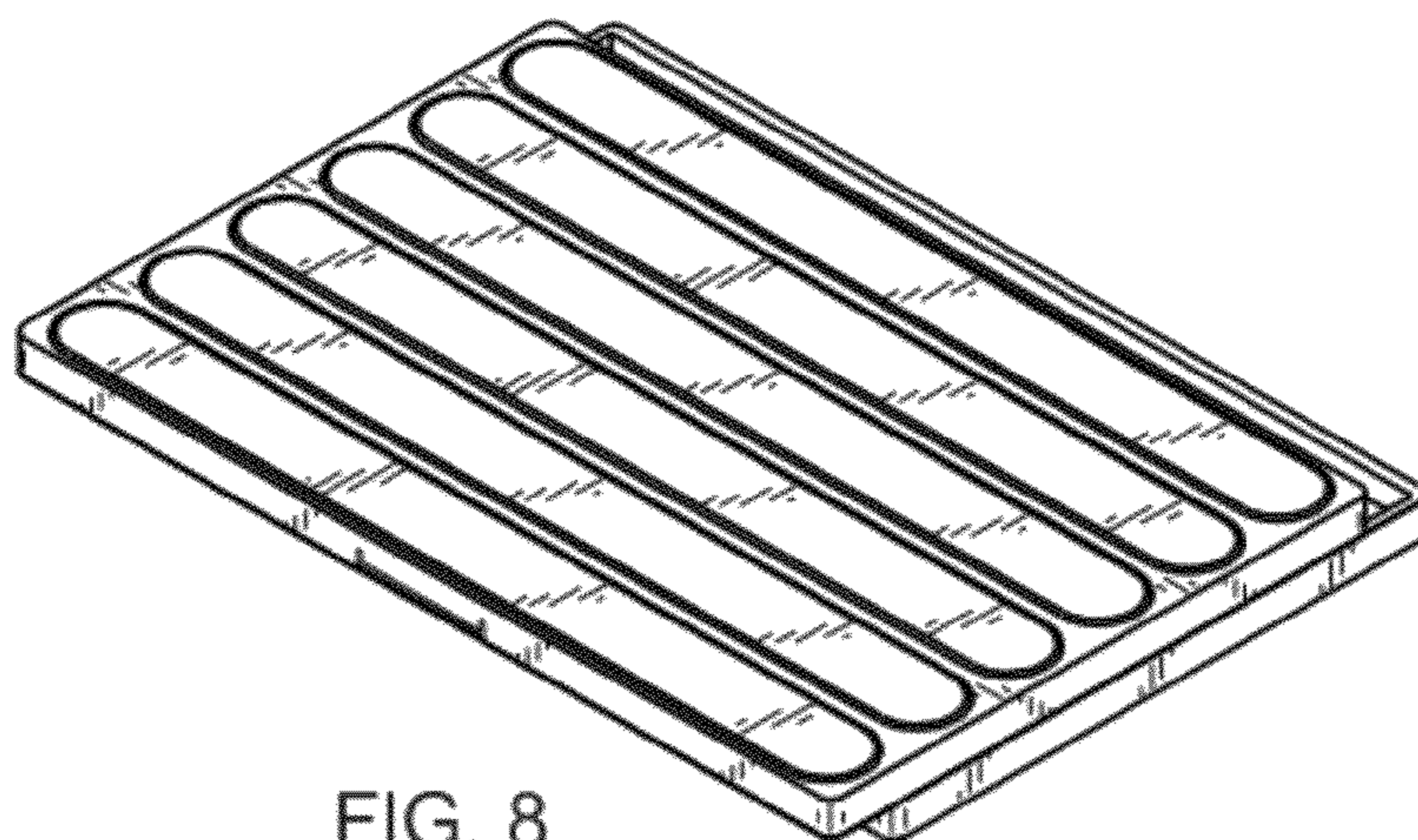


FIG. 8

FIG. 9

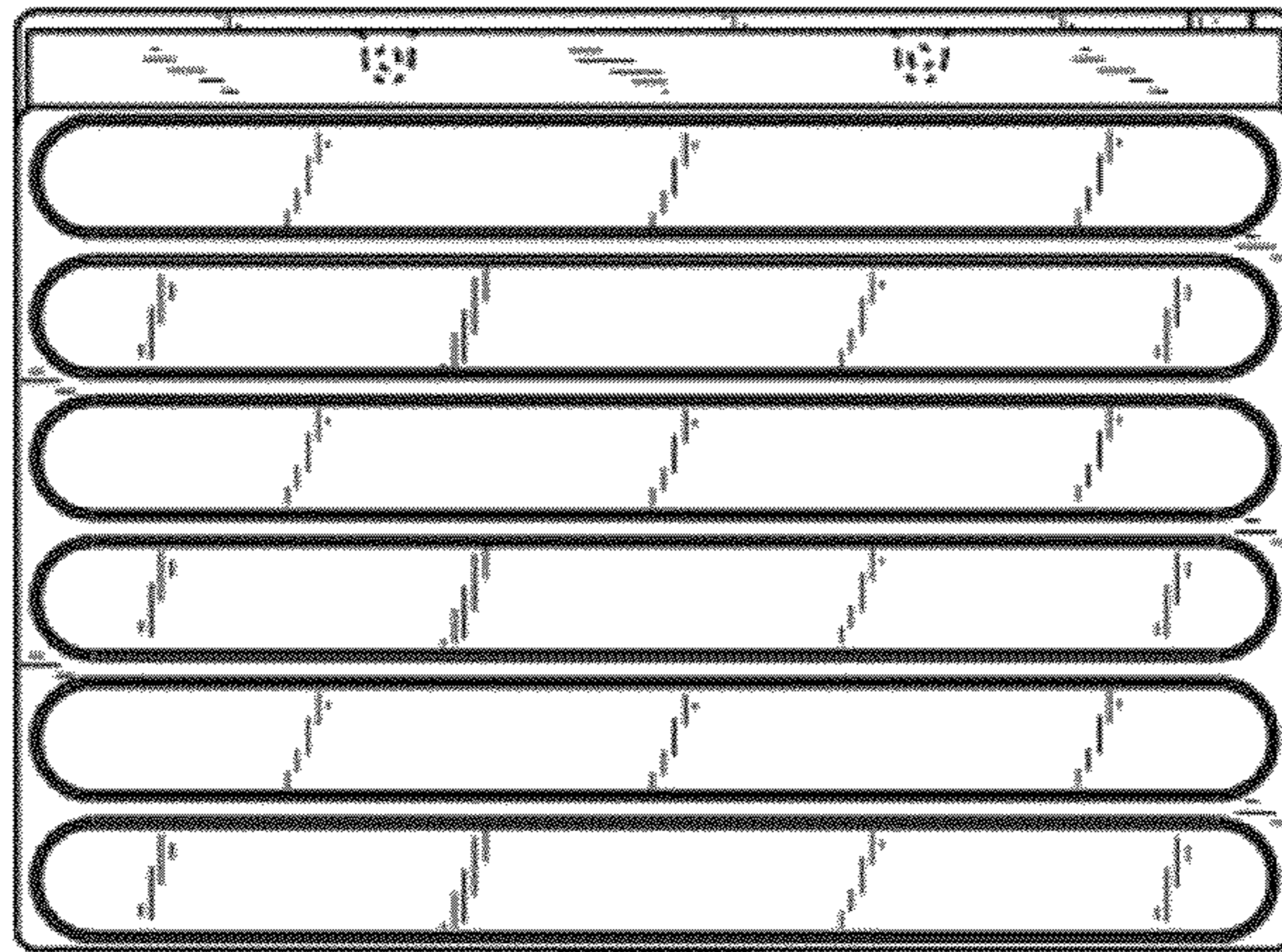


FIG. 10

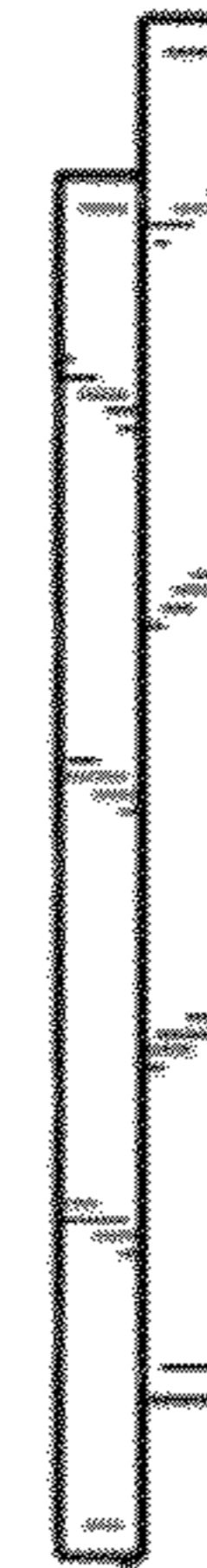


FIG. 11

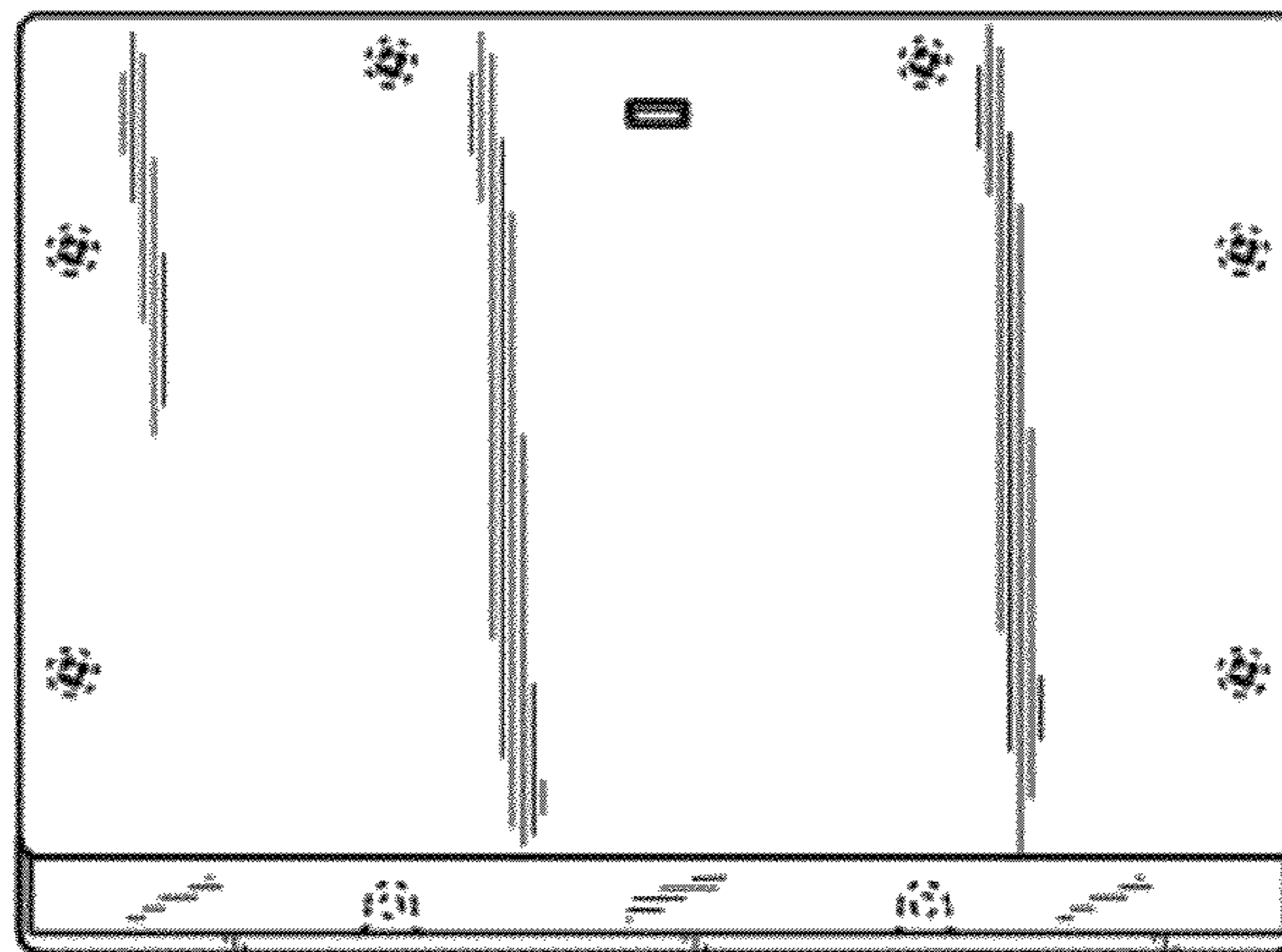


FIG. 12

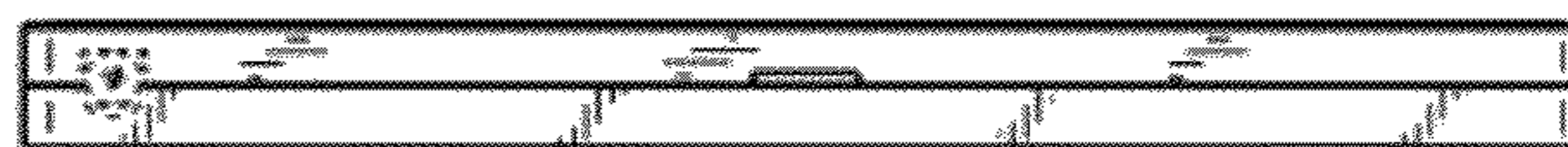


FIG. 13