

US00D663264S

(12) **United States Design Patent**  
**London**

(10) **Patent No.:** **US D663,264 S**  
(45) **Date of Patent:** **\*\* Jul. 10, 2012**

(54) **BATTERY**

(75) Inventor: **Mitchell David London**, Mission Viejo,  
CA (US)

(73) Assignee: **Cardiac Science Corporation**, Bothell,  
WA (US)

(\*\*) Term: **14 Years**

(21) Appl. No.: **29/408,114**

(22) Filed: **Dec. 7, 2011**

(51) **LOC (9) Cl.** ..... **13-02**

(52) **U.S. Cl.** ..... **D13/103**

(58) **Field of Classification Search** ..... D13/102-106,  
D13/110, 118-119, 184; 429/96-100, 163,  
429/176

See application file for complete search history.

(56) **References Cited**

U.S. PATENT DOCUMENTS

D360,185 S	7/1995	Kobayashi	
5,510,205 A *	4/1996	Ozer	429/91
D405,754 S	2/1999	Barkley et al.	
5,868,794 A	2/1999	Barkley et al.	
6,038,473 A	3/2000	Olson et al.	
6,366,809 B1	4/2002	Olson et al.	
D459,298 S	6/2002	Locke et al.	
D490,370 S	5/2004	Picardo	
D523,393 S	6/2006	Meier et al.	
D534,491 S *	1/2007	Panebianco et al.	D13/119
D538,225 S *	3/2007	Lyman et al.	D13/119

D557,203 S *	12/2007	Grunow et al.	D13/103
D557,204 S *	12/2007	Panebianco et al.	D13/103
D591,231 S *	4/2009	Wung et al.	D13/103
D624,011 S	9/2010	Bertagnole et al.	
D640,628 S *	6/2011	Lopano et al.	D13/103

\* cited by examiner

*Primary Examiner* — Rosemary K Tarcza

(74) *Attorney, Agent, or Firm* — Patterson Thuent  
Christensen Pedersen, P.A.

(57) **CLAIM**

I claim the ornamental design for a battery, as shown and described.

**DESCRIPTION**

FIG. 1 is a front corner perspective view of a battery according to an embodiment of the invention.

FIG. 2 is a front elevational view of a battery according to an embodiment of the invention.

FIG. 3 is a rear elevational view of a battery according to an embodiment of the invention.

FIG. 4 is a right side elevational view of a battery according to an embodiment of the invention.

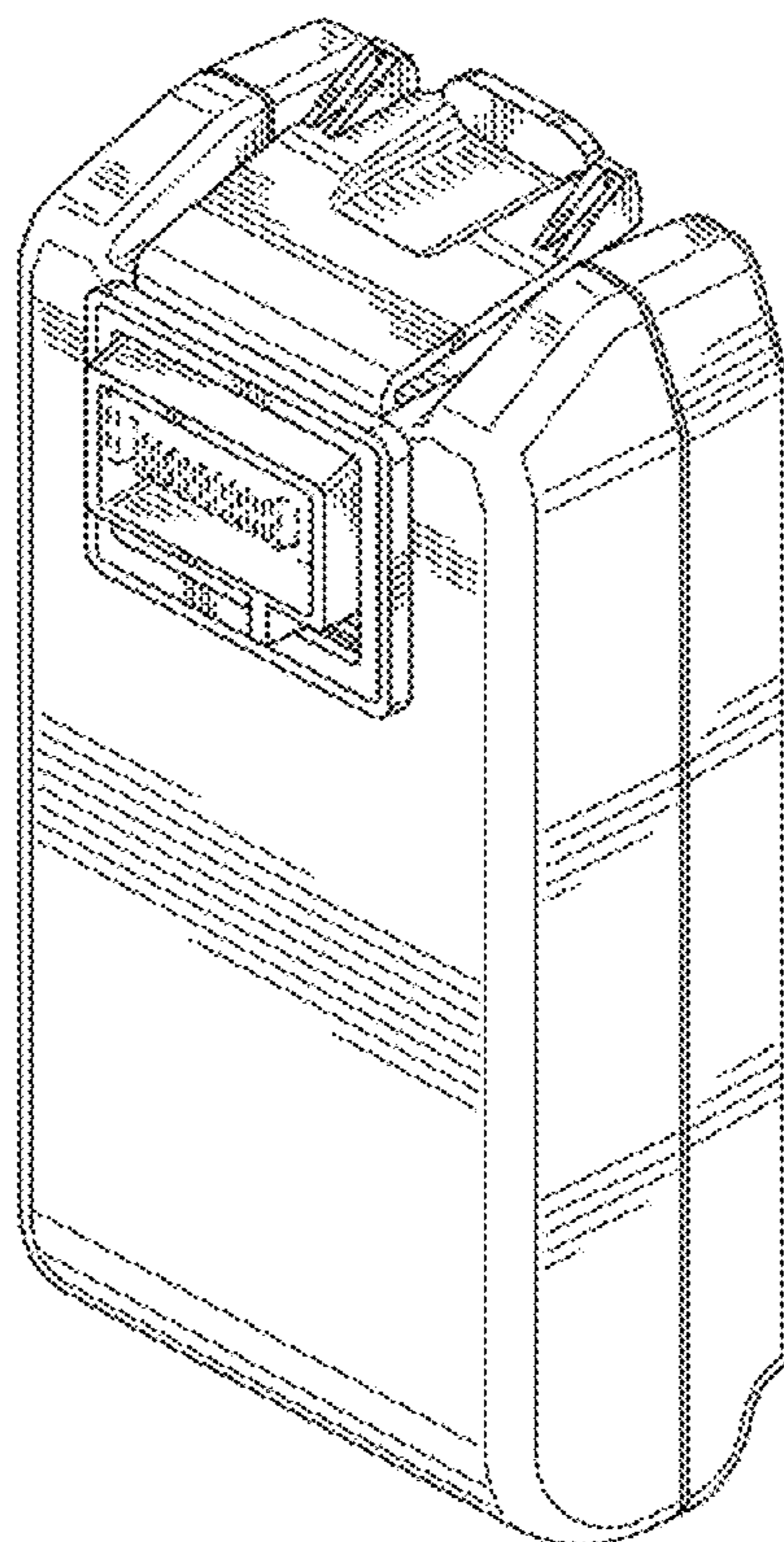
FIG. 5 is a left side elevational view of a battery according to an embodiment of the invention.

FIG. 6 is a top plan view of a battery according to an embodiment of the invention; and,

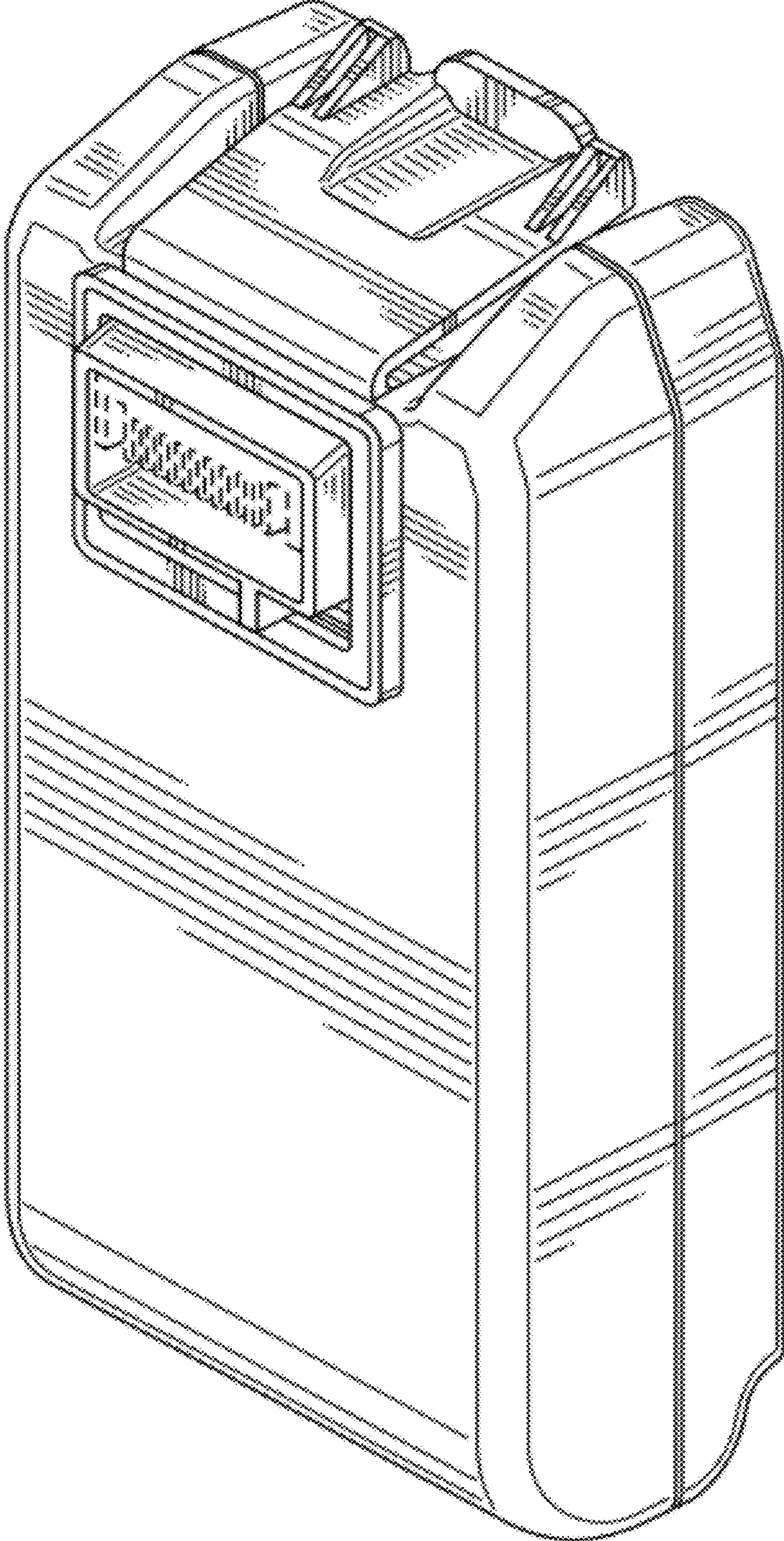
FIG. 7 is a bottom view of a battery according to an embodiment of the invention.

Items shown in broken lines are for illustrative purposes only and form no part of the claimed invention.

**1 Claim, 5 Drawing Sheets**

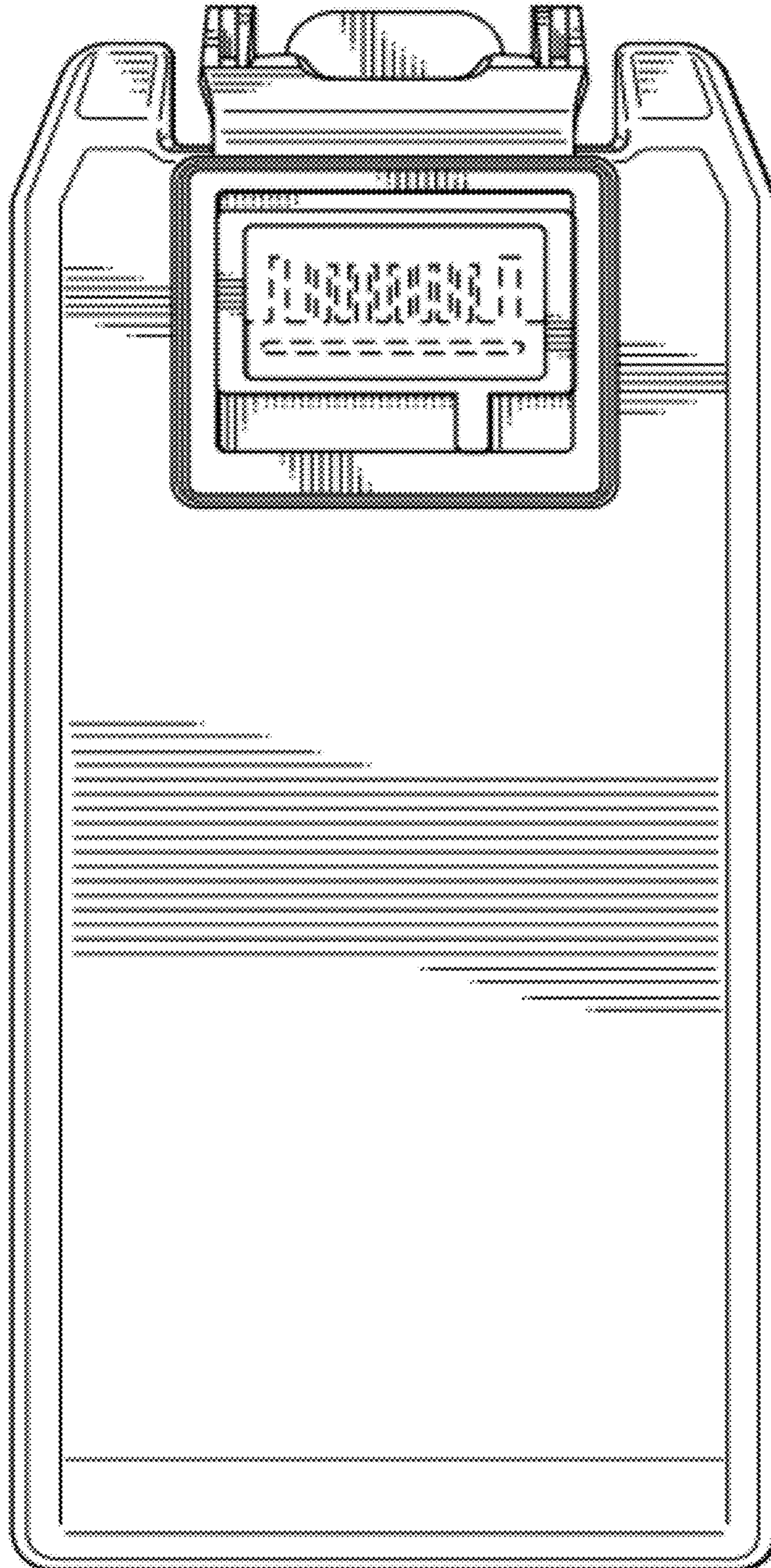


**Fig. 1**

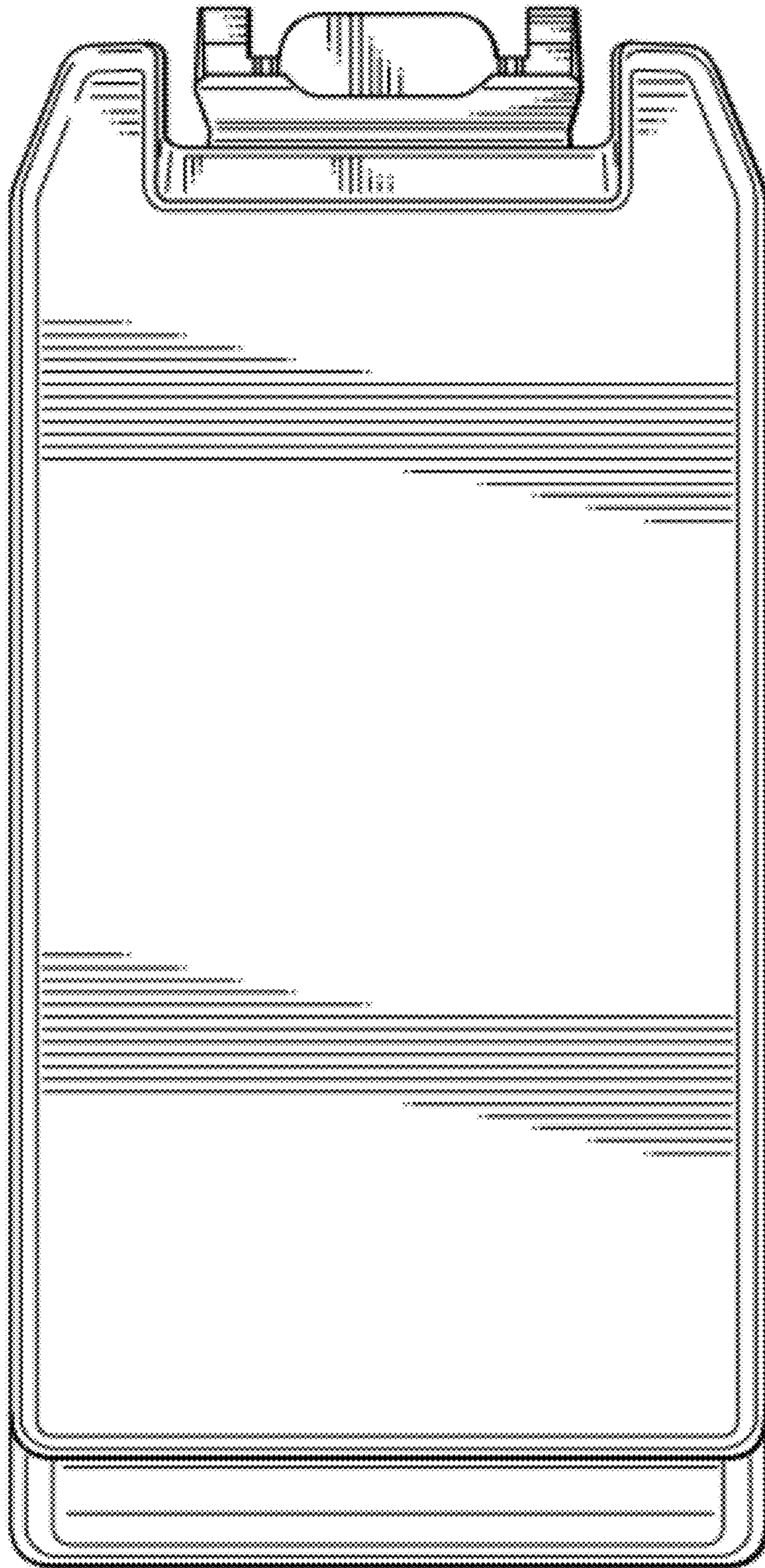




**Fig. 2**

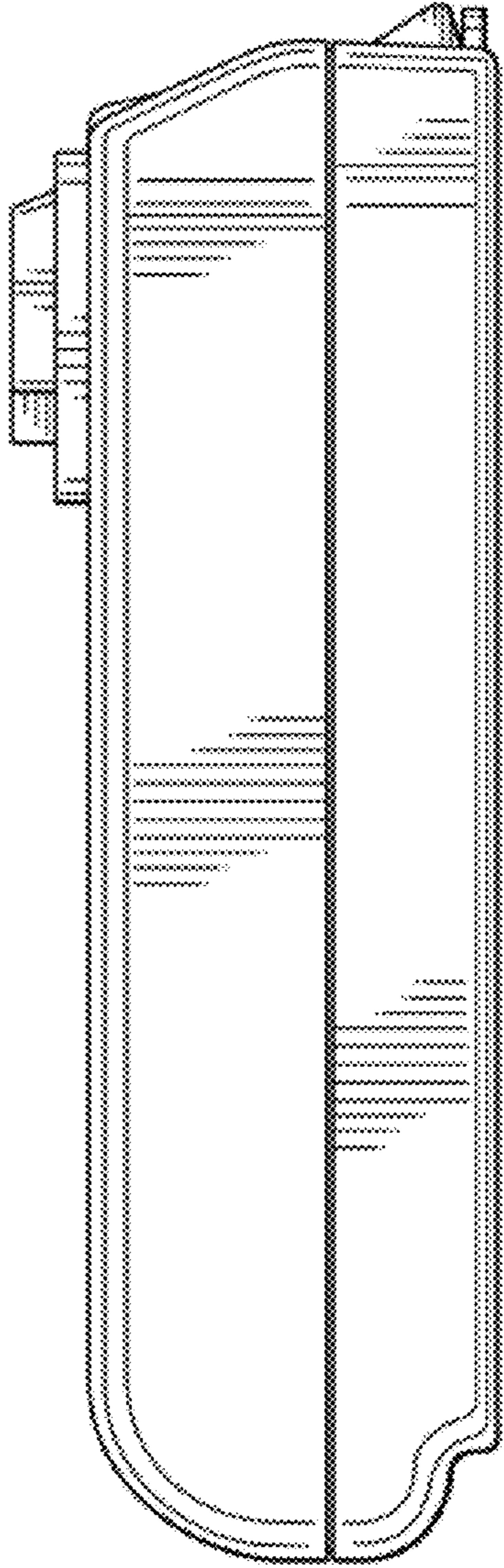


**Fig. 3**

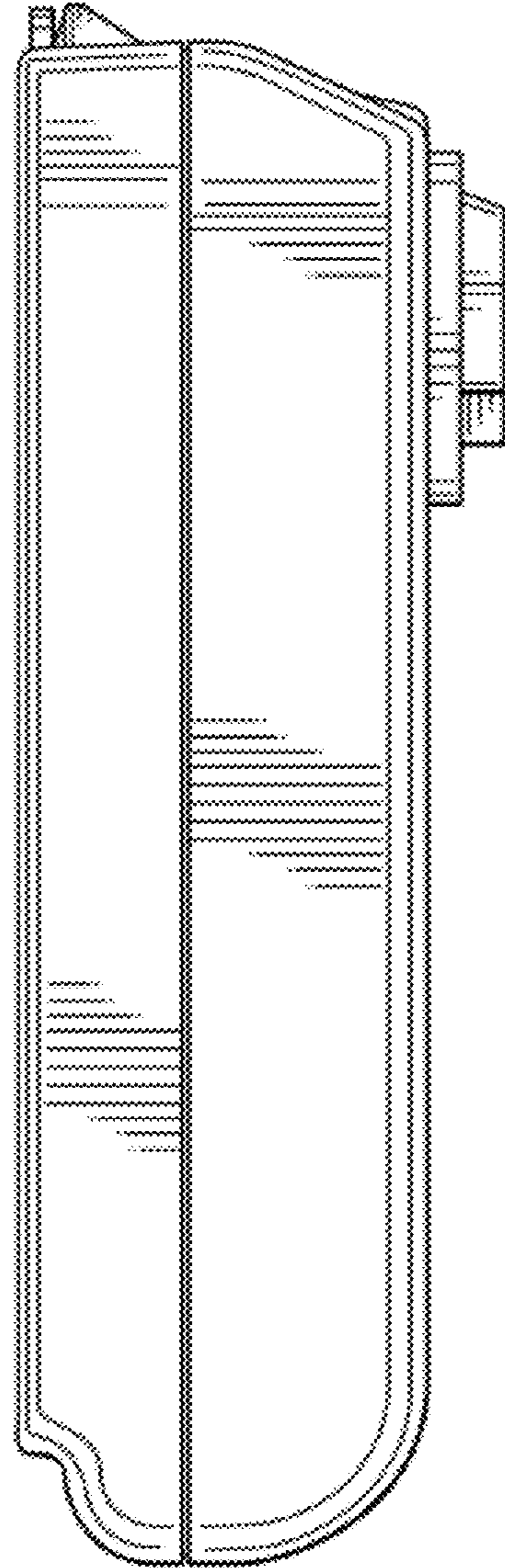




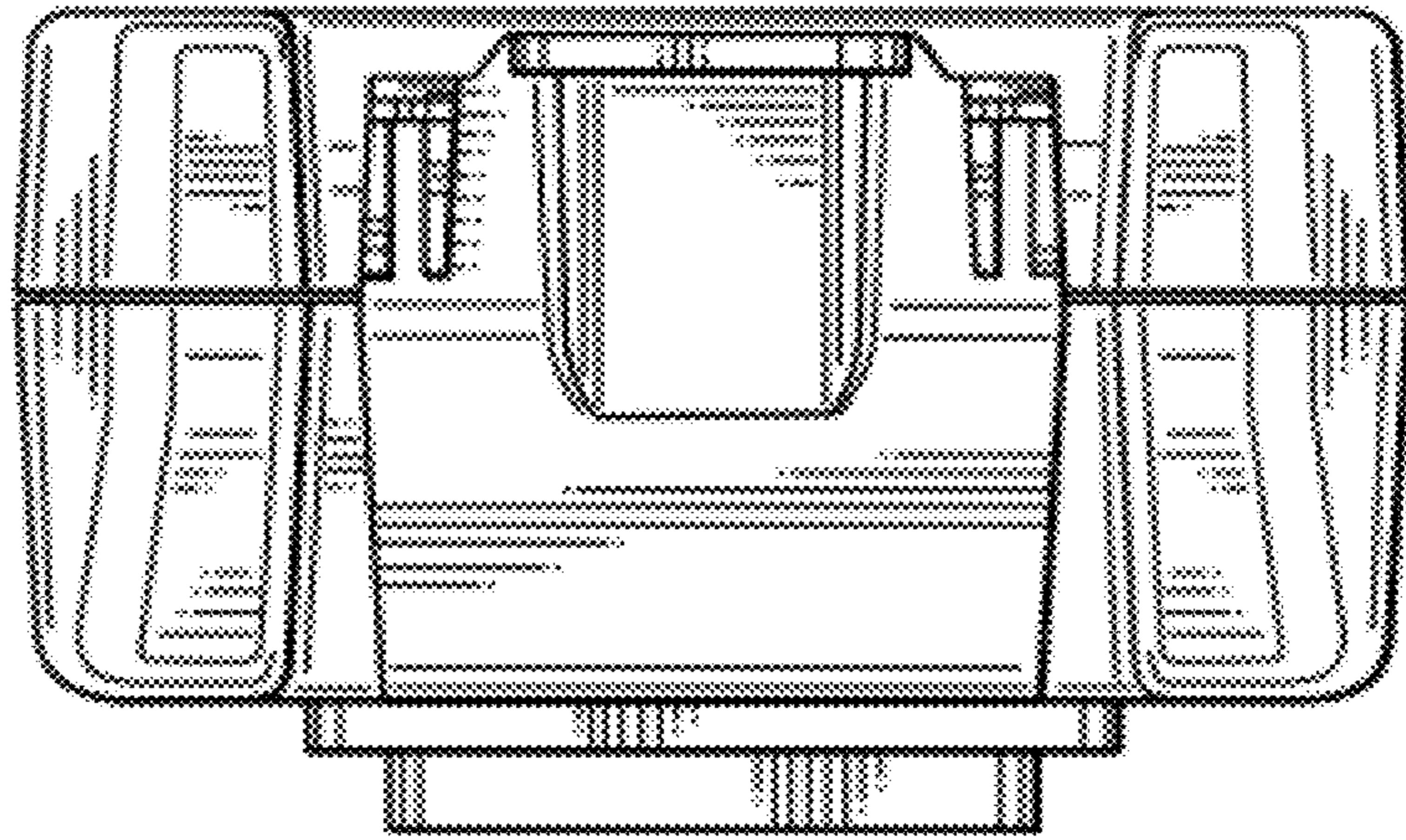
**Fig. 4**



**Fig. 5**



**Fig. 6**



**Fig. 7**

