



US00D663263S

(12) **United States Design Patent**
Gupta et al.

(10) **Patent No.:** **US D663,263 S**
(45) **Date of Patent:** **** Jul. 10, 2012**

(54) **COMBINATION BATTERY AND CASE FOR ELECTRONIC EQUIPMENT**

(76) Inventors: **Sumeet Gupta**, Santa Monica, CA (US);
Joseph Carrillo, Santa Monica, CA (US)

(**) Term: **14 Years**

(21) Appl. No.: **29/390,895**

(22) Filed: **Apr. 29, 2011**

(51) **LOC (9) Cl.** **13-02**

(52) **U.S. Cl.** **D13/103**; D13/108; D14/250

(58) **Field of Classification Search** D13/102–110,
D13/118–119, 184, 199; D14/250–253,
D14/432, 434; 320/101–102, 107–115, 120;
429/96–100, 149, 159, 163, 176, 177, 186
See application file for complete search history.

(56) **References Cited**

U.S. PATENT DOCUMENTS

D392,248 S *	3/1998	Johansson	D13/103
D550,640 S	9/2007	Dai		
D556,681 S *	12/2007	Kim	D13/103
D561,092 S *	2/2008	Kim	D13/103
D582,149 S	12/2008	Tan		
D597,089 S *	7/2009	Khan et al.	D14/250
D603,603 S	11/2009	Laine et al.		
D606,528 S *	12/2009	Khan et al.	D14/250
D609,463 S	2/2010	Bullen		
D613,685 S *	4/2010	Ju et al.	D13/108
D615,078 S	5/2010	Bradley		
D616,360 S *	5/2010	Huang	D13/103
D616,361 S *	5/2010	Huang	D13/103
D616,879 S	6/2010	Kim et al.		
D619,573 S	7/2010	Khan et al.		
D624,304 S	9/2010	Danze et al.		
D624,532 S	9/2010	Huskinson		
D624,908 S	10/2010	Huskinson		
D624,909 S *	10/2010	Huskinson	D14/250

D626,540 S *	11/2010	Brown et al.	D14/250
D632,683 S	2/2011	Richardson		
D632,685 S	2/2011	Richardson		
D634,741 S	3/2011	Richardson		
D644,218 S *	8/2011	Akana et al.	D14/341
D647,519 S *	10/2011	Rothbaum et al.	D14/250
D651,204 S *	12/2011	Wibby et al.	D14/250
D653,202 S *	1/2012	Hasbrook et al.	D13/103
D654,069 S *	2/2012	Kwon et al.	D14/250
D655,281 S *	3/2012	Turocy	D14/250
D656,495 S *	3/2012	Andre et al.	D14/250
2008/0053770 A1 *	3/2008	Tynyk	190/100
2009/0186264 A1 *	7/2009	Huang	429/96

* cited by examiner

Primary Examiner — Rosemary K Tarcza

(74) *Attorney, Agent, or Firm* — QuickPatents, Inc.; Kevin Prince

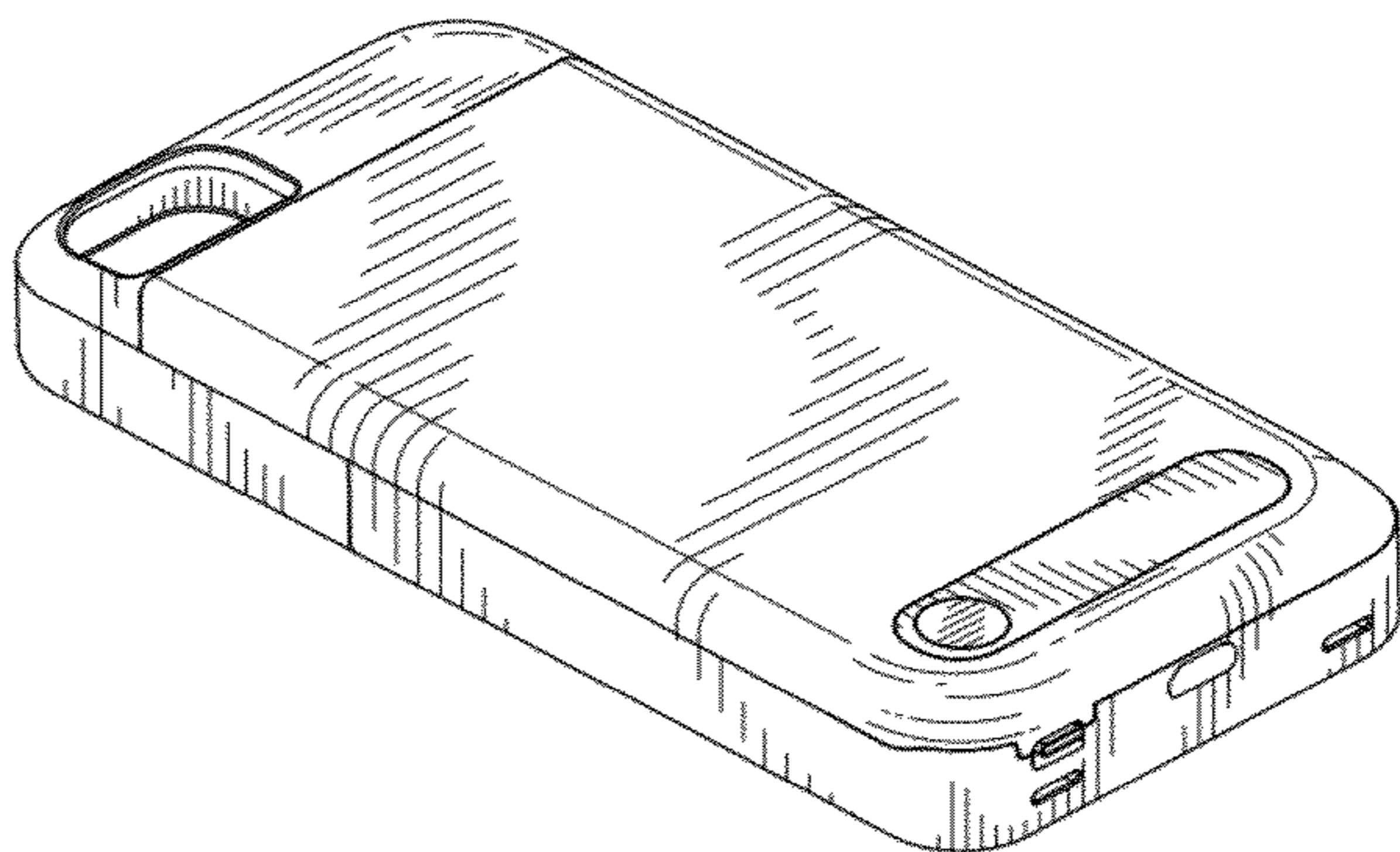
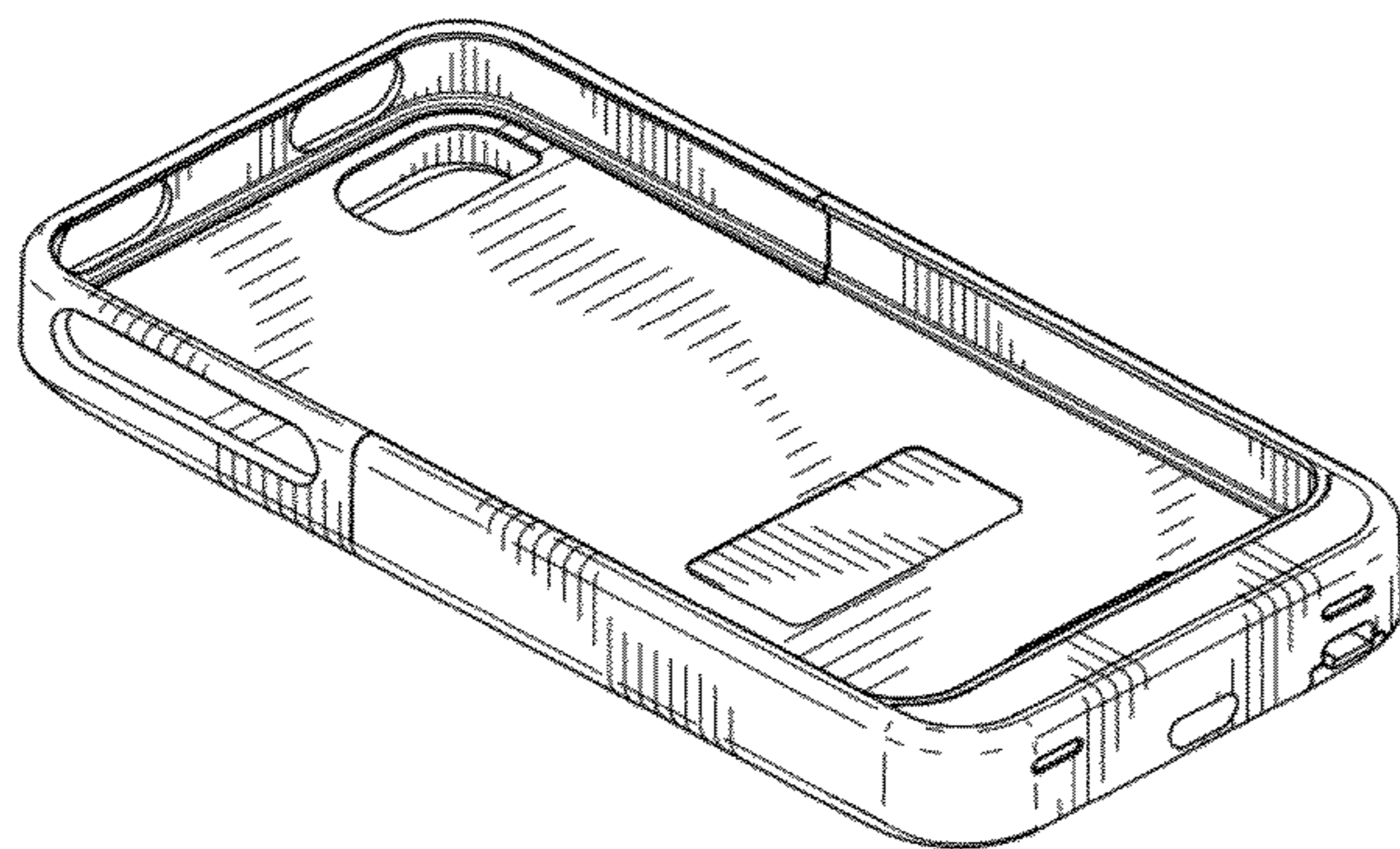
(57) **CLAIM**

The ornamental design for a combination battery and case for electronic equipment, as shown and described.

DESCRIPTION

FIG. 1 is a front perspective view of a combination battery and case for electronic equipment, showing the new design; FIG. 2 is a rear perspective view thereof; FIG. 3 is a top plan view thereof; FIG. 4 is a left-side elevational view thereof; FIG. 5 is a rear elevational view thereof; FIG. 6 is a right-side elevational view thereof; FIG. 7 is a front elevational view thereof; FIG. 8 is a bottom plan view thereof; FIG. 9 is an exploded front perspective view thereof; FIG. 10 is an exploded left-side elevational view thereof; FIG. 11 is an exploded rear elevational view thereof; FIG. 12 is an exploded right-side elevational view thereof; and, FIG. 13 is an exploded front elevational view thereof.

1 Claim, 6 Drawing Sheets



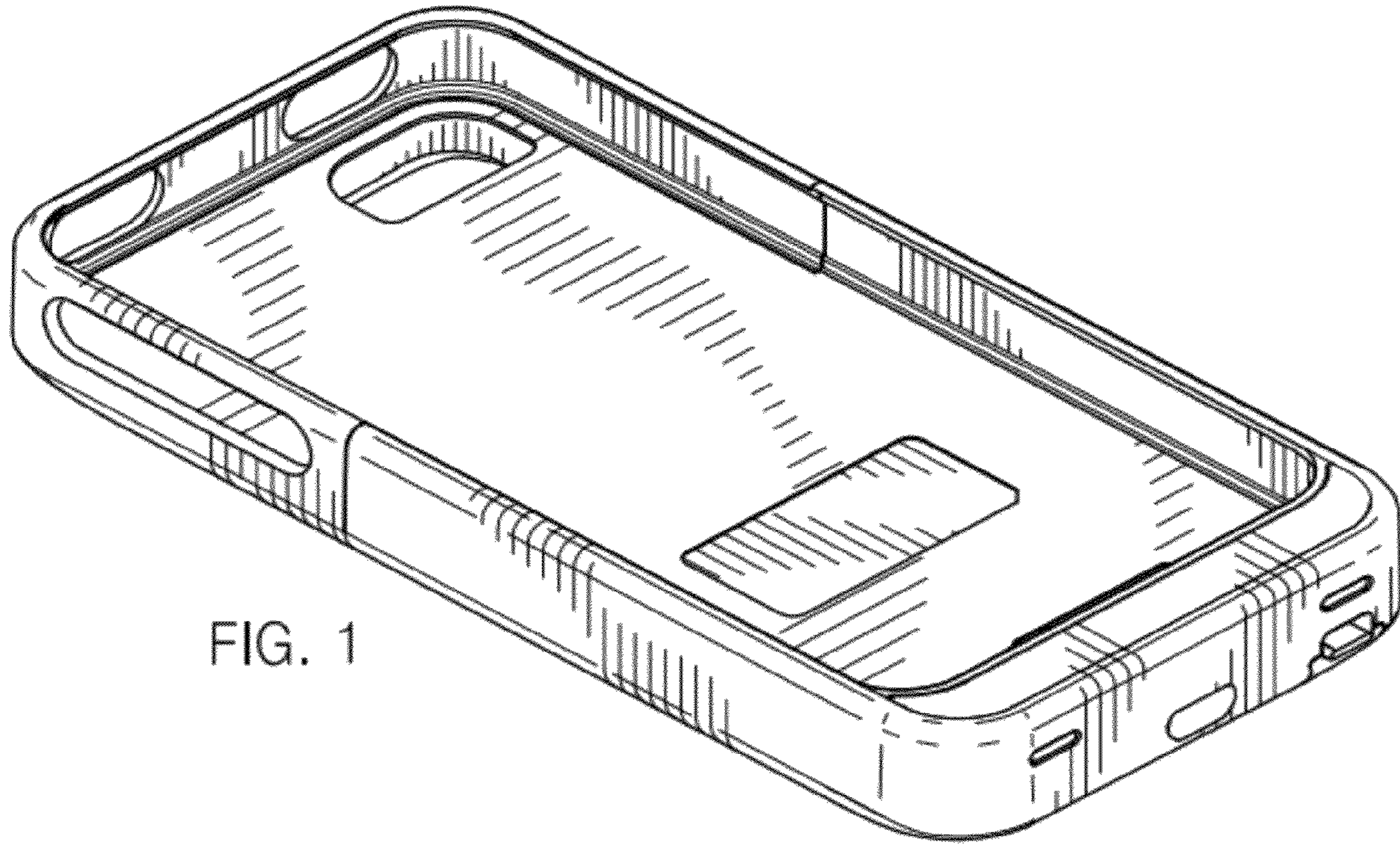


FIG. 1

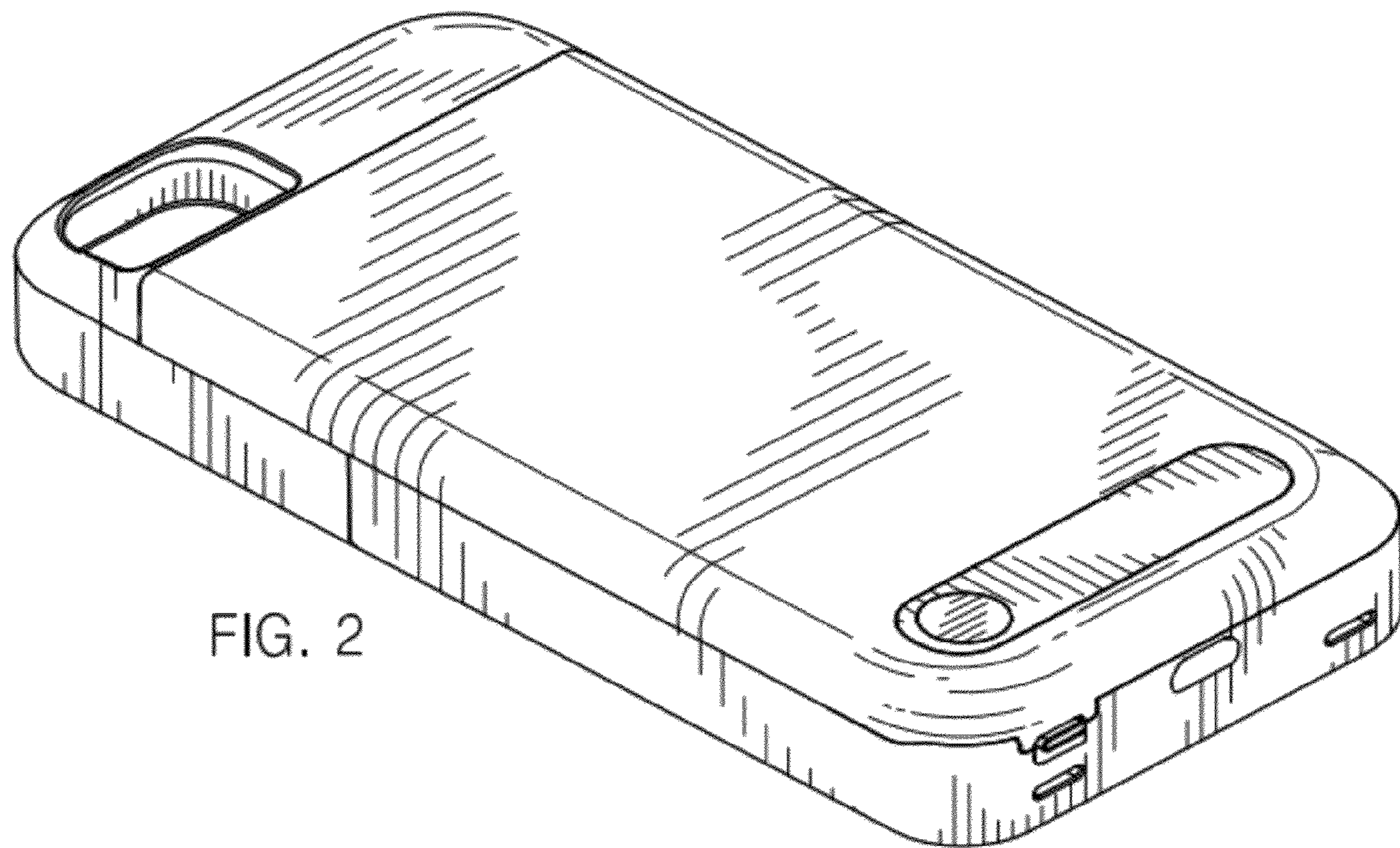


FIG. 2

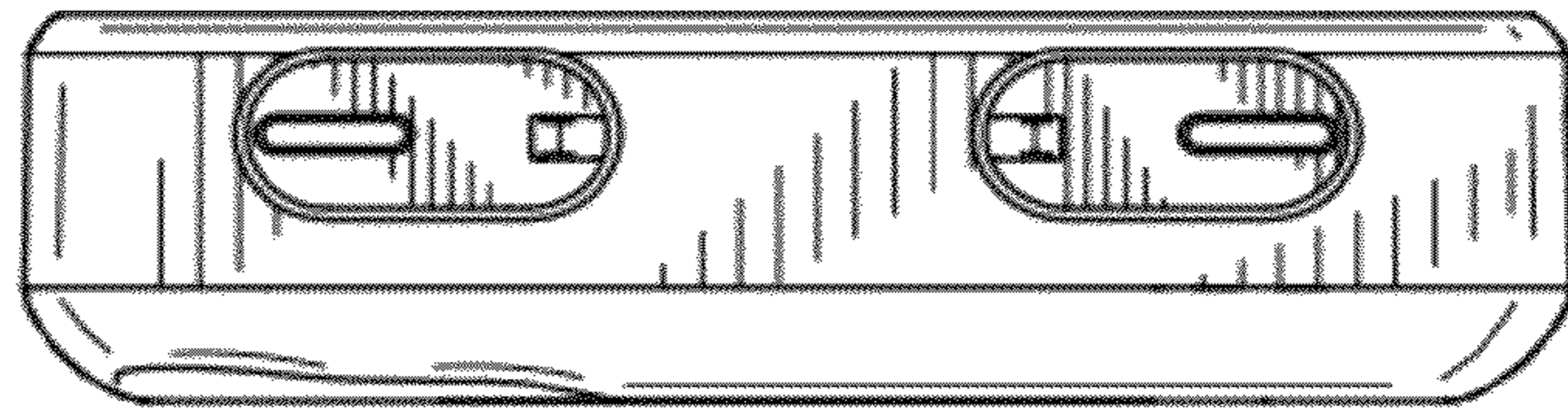


FIG. 3

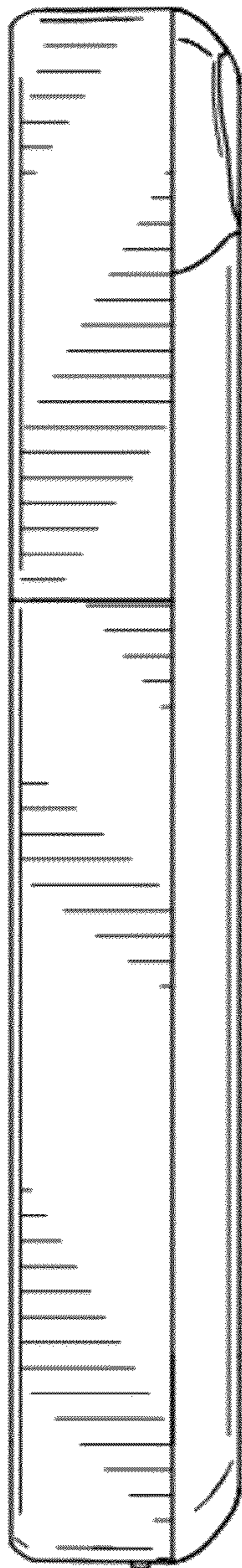


FIG. 4

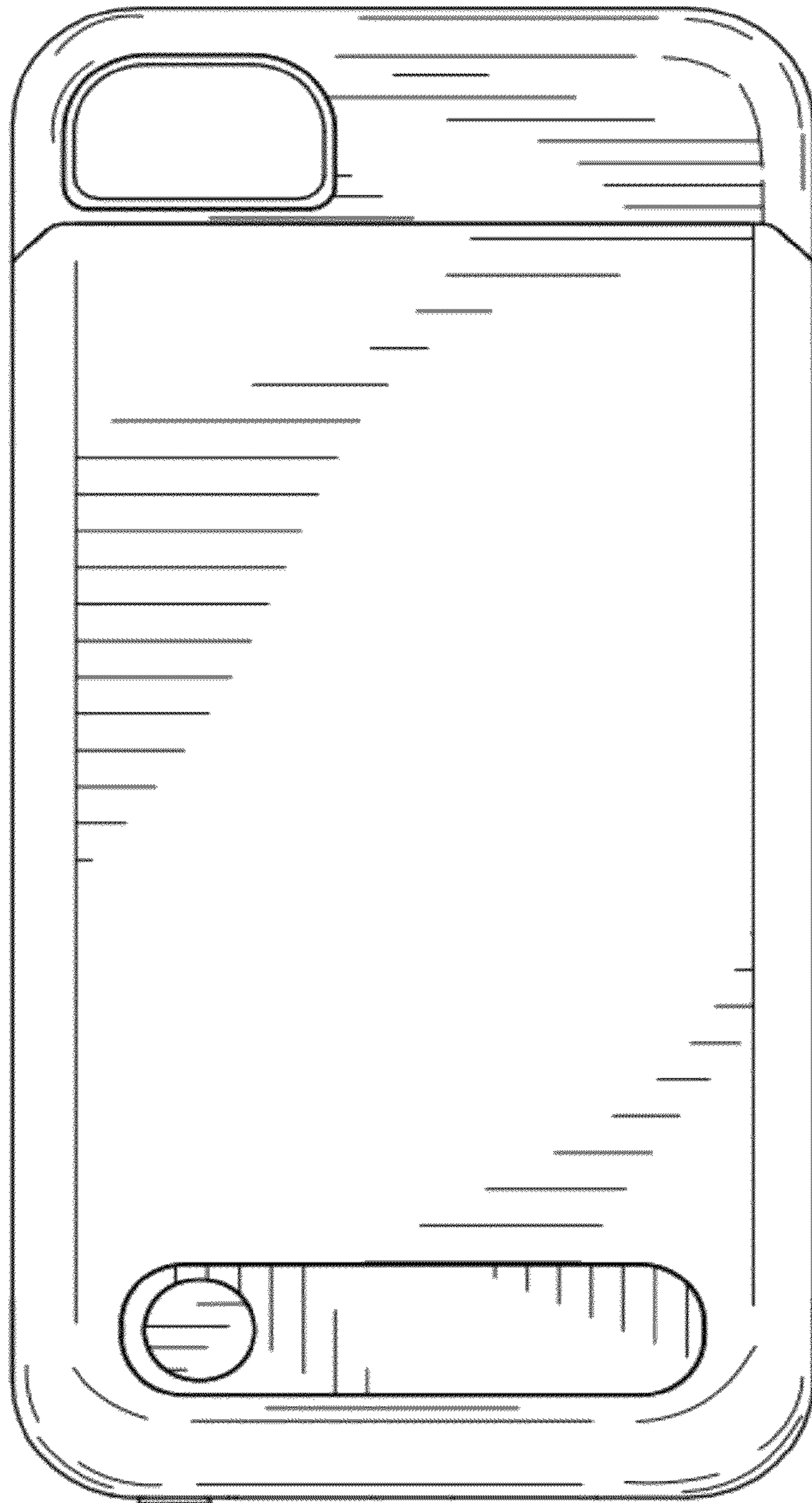


FIG. 5

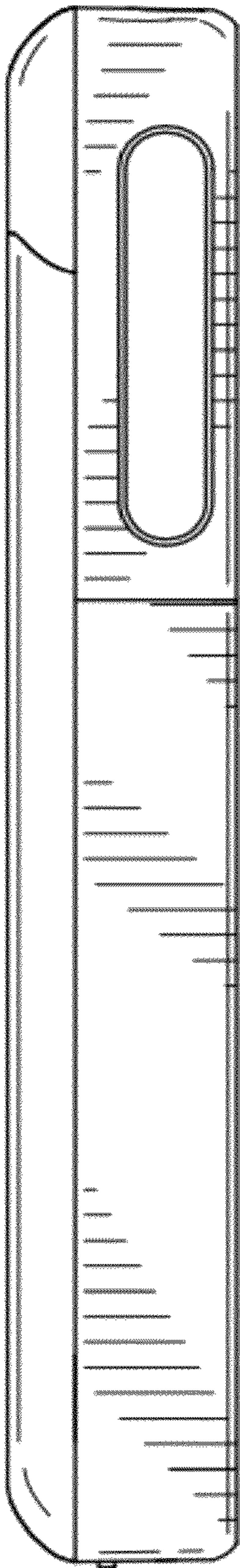


FIG. 6

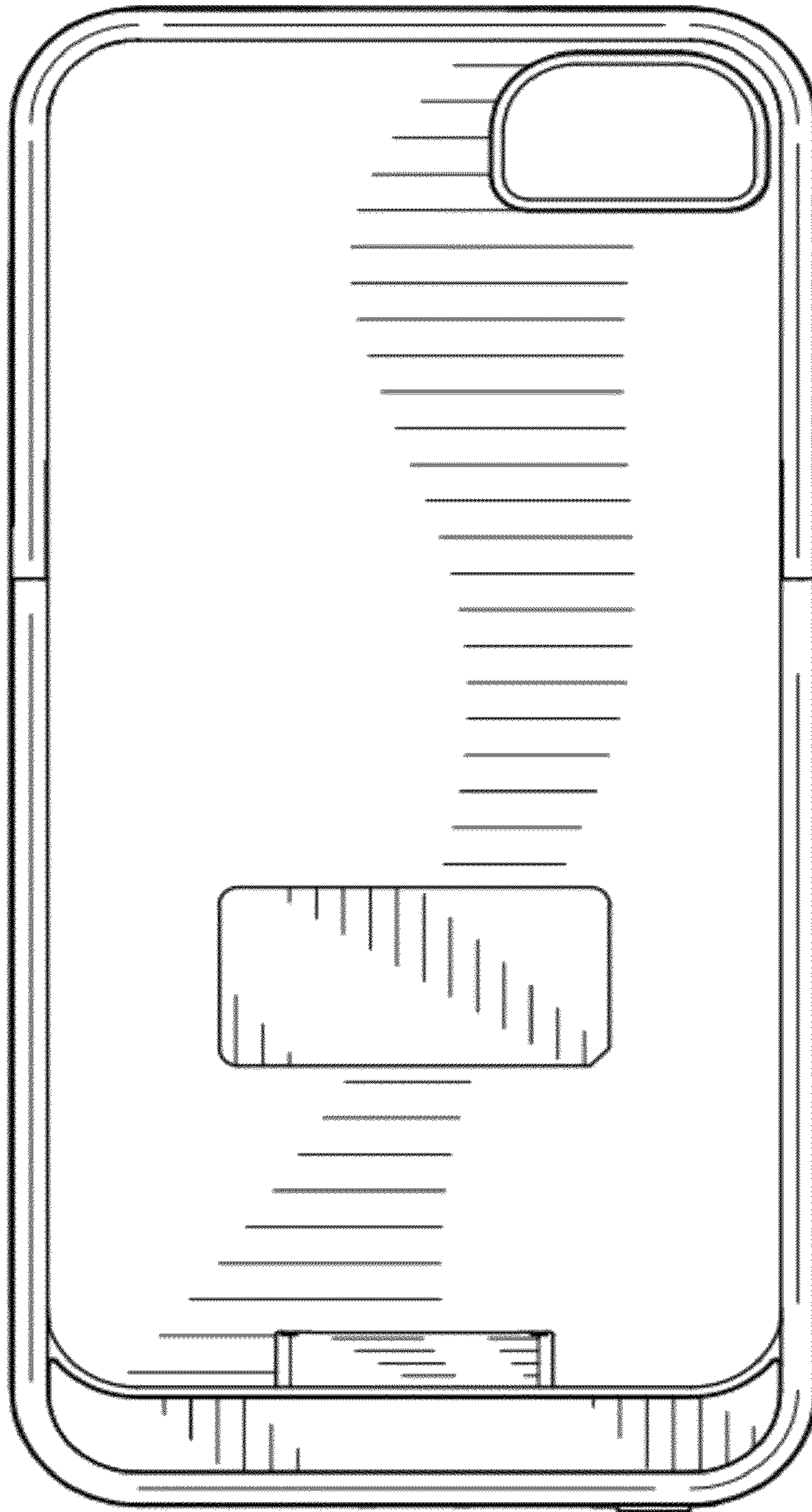


FIG. 7

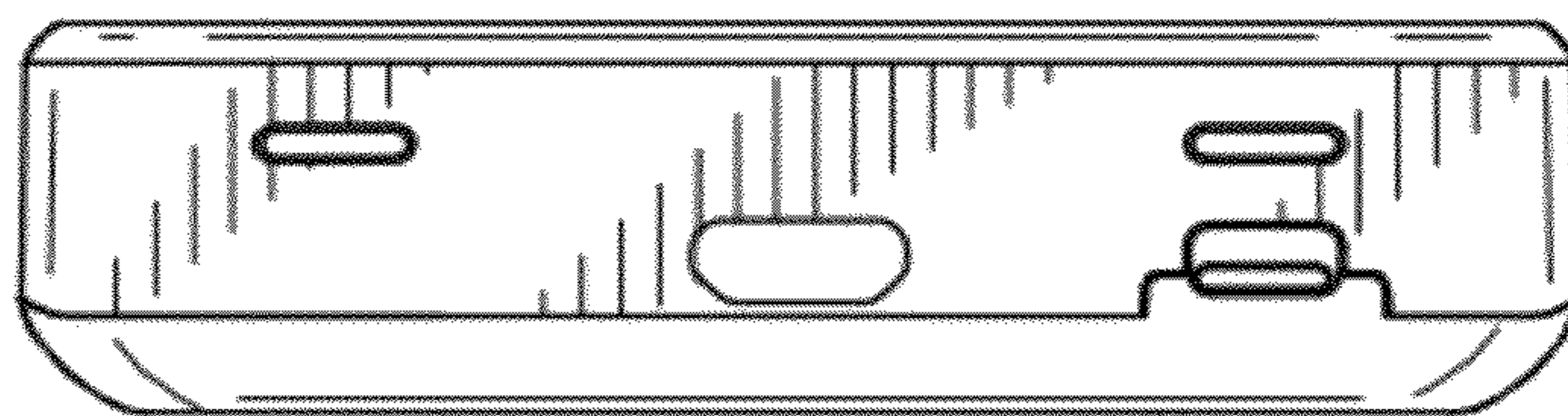


FIG. 8

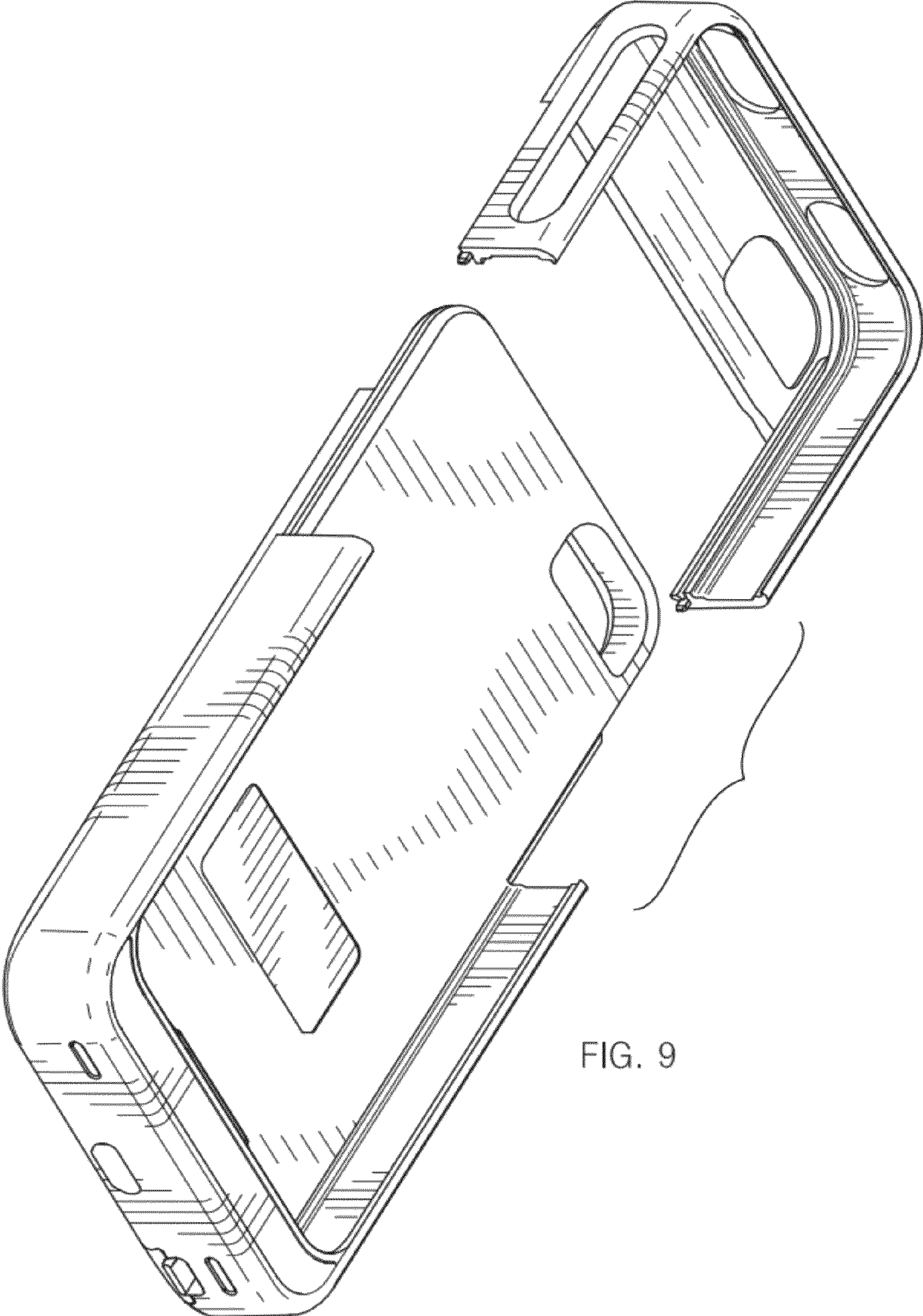


FIG. 9

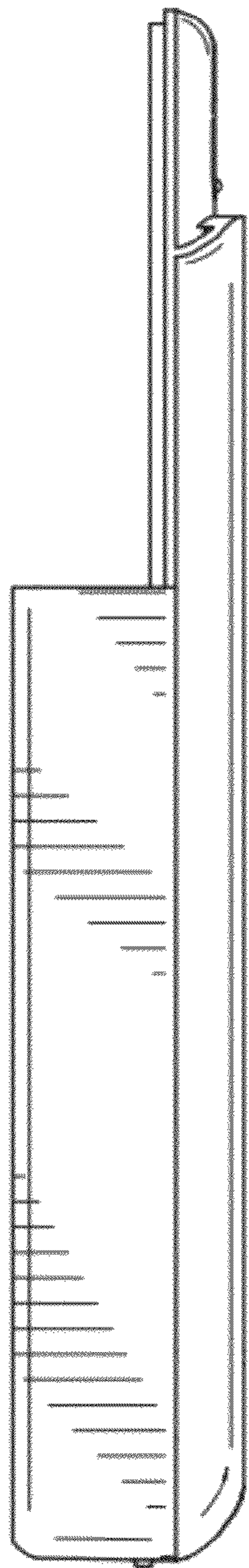
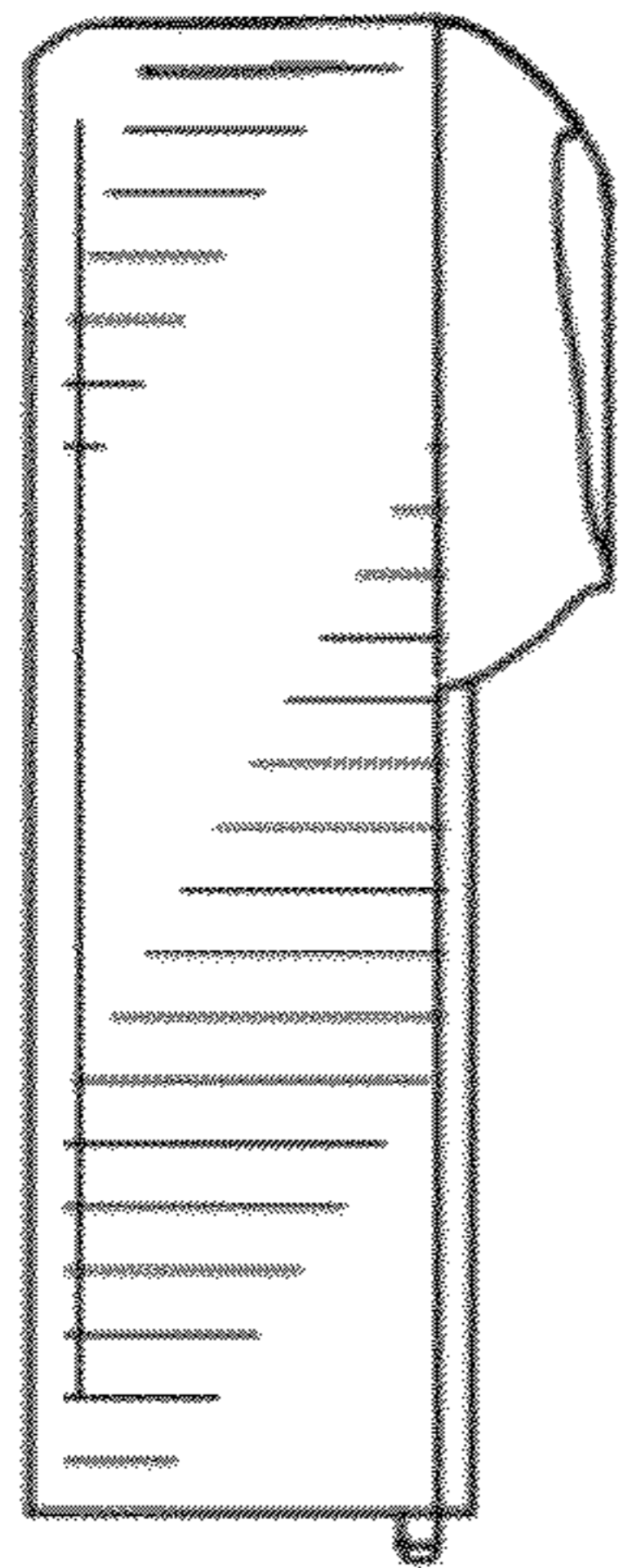


FIG. 10

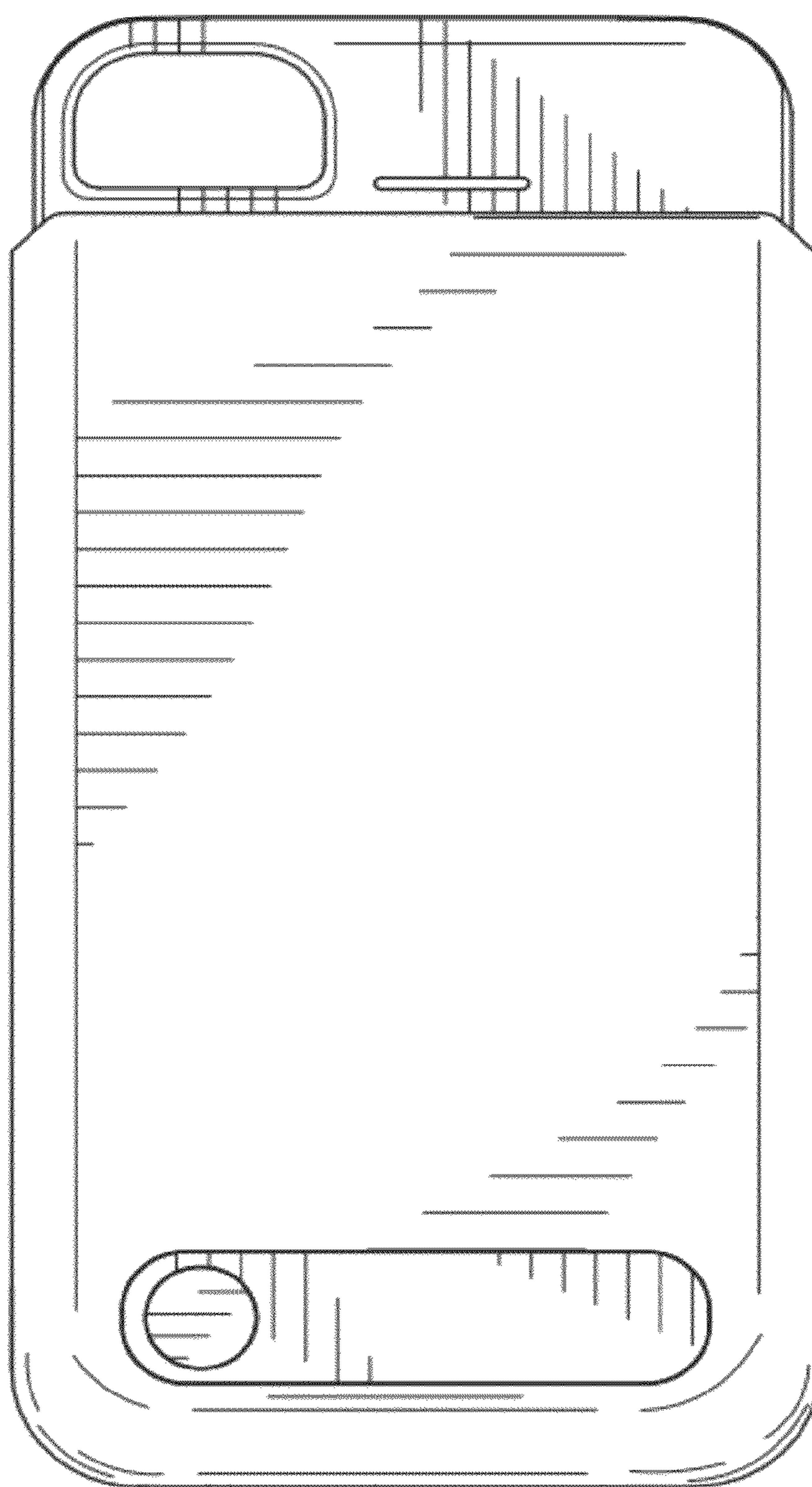
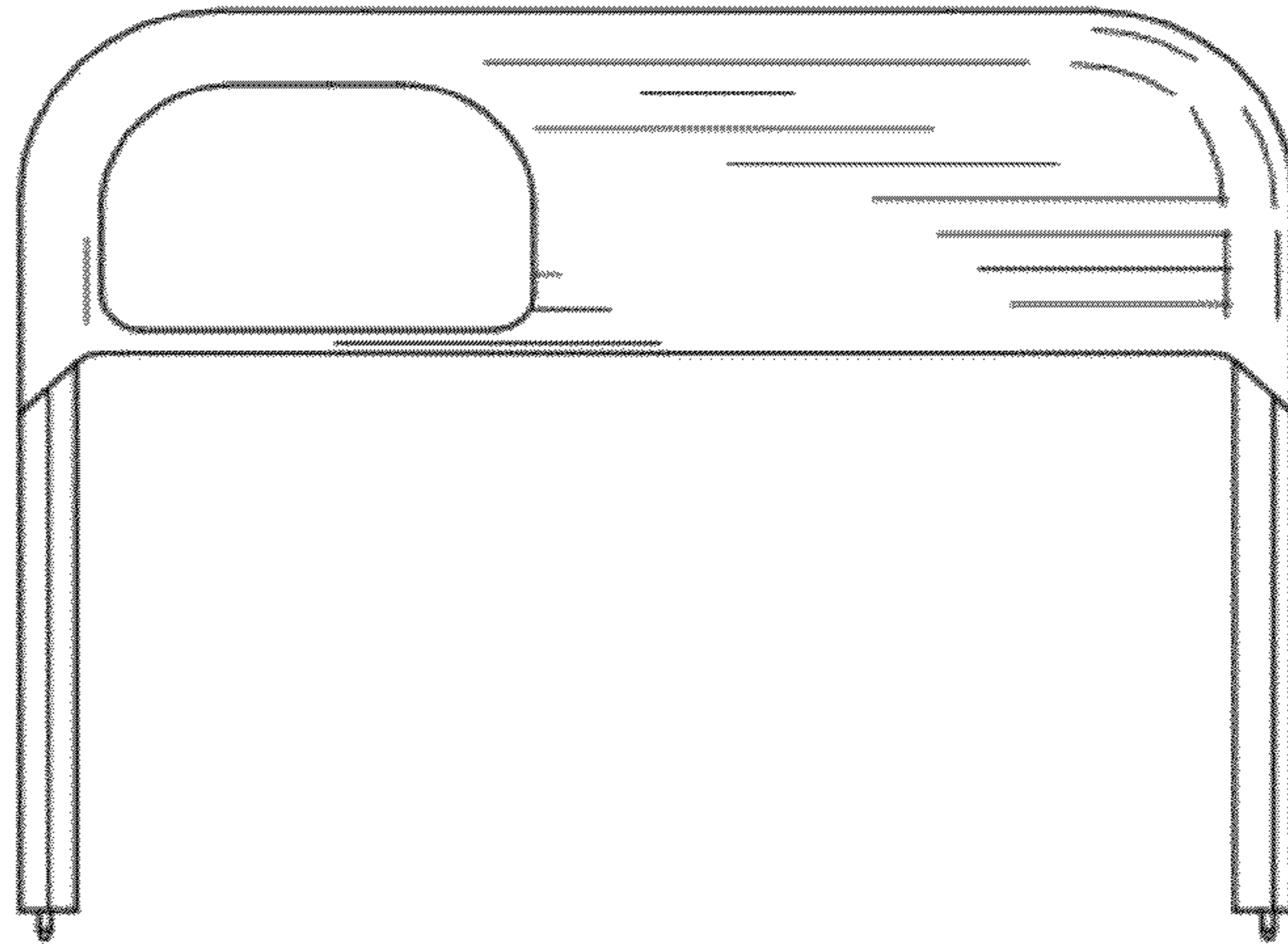


FIG. 11

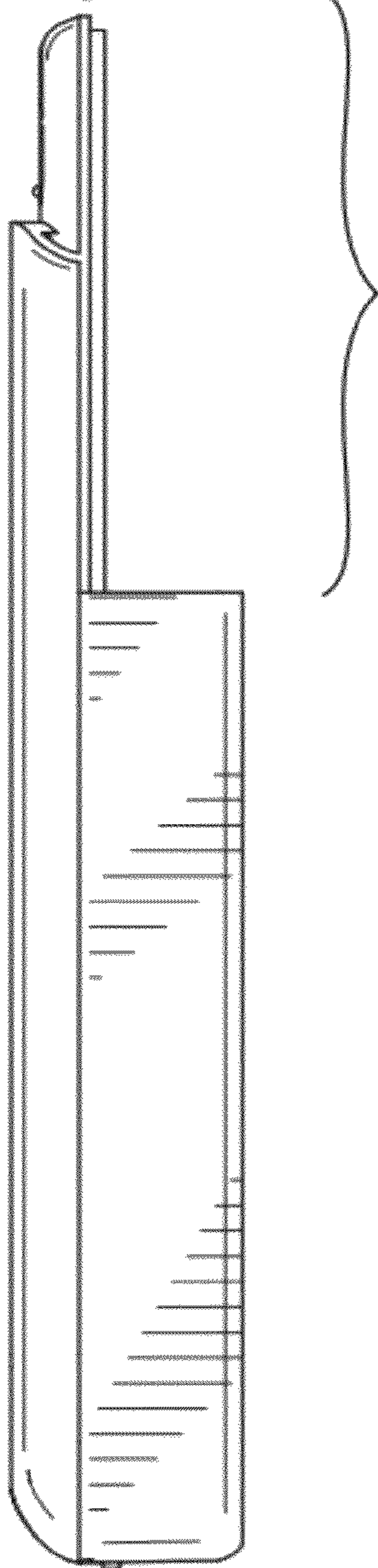
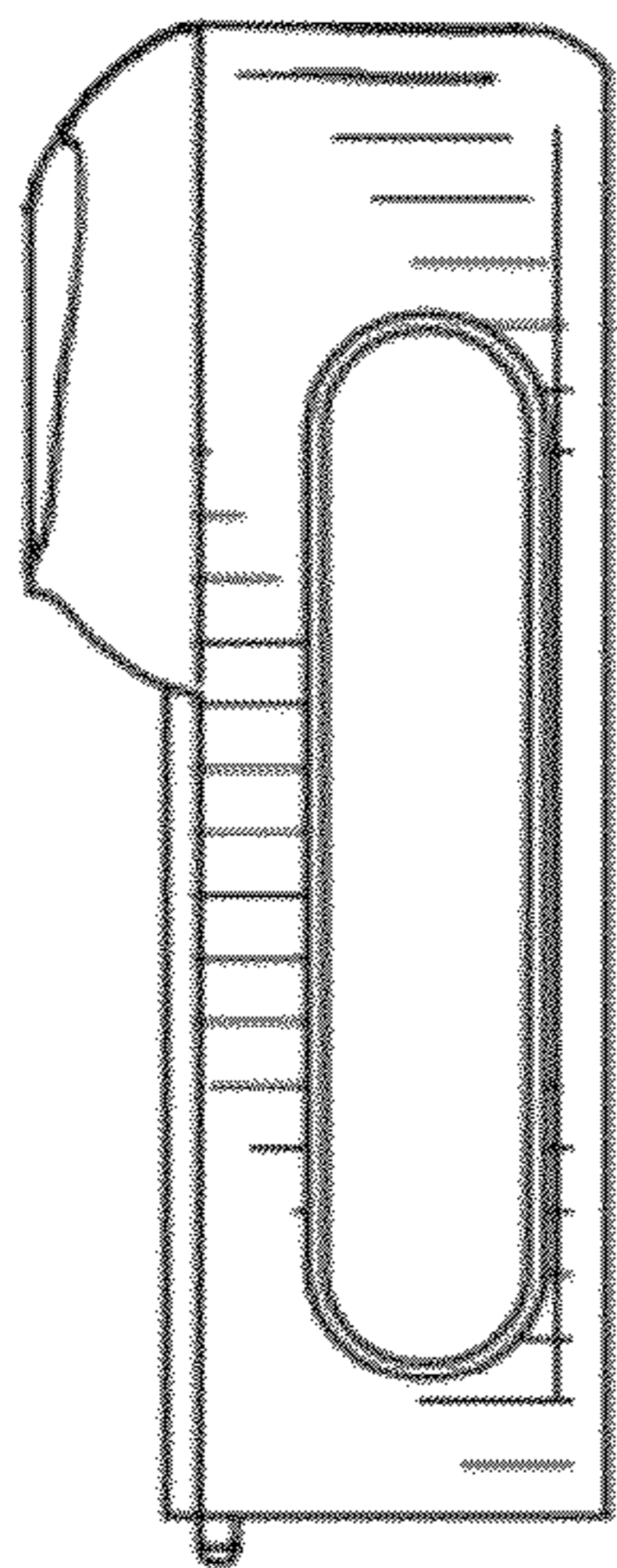


FIG. 12

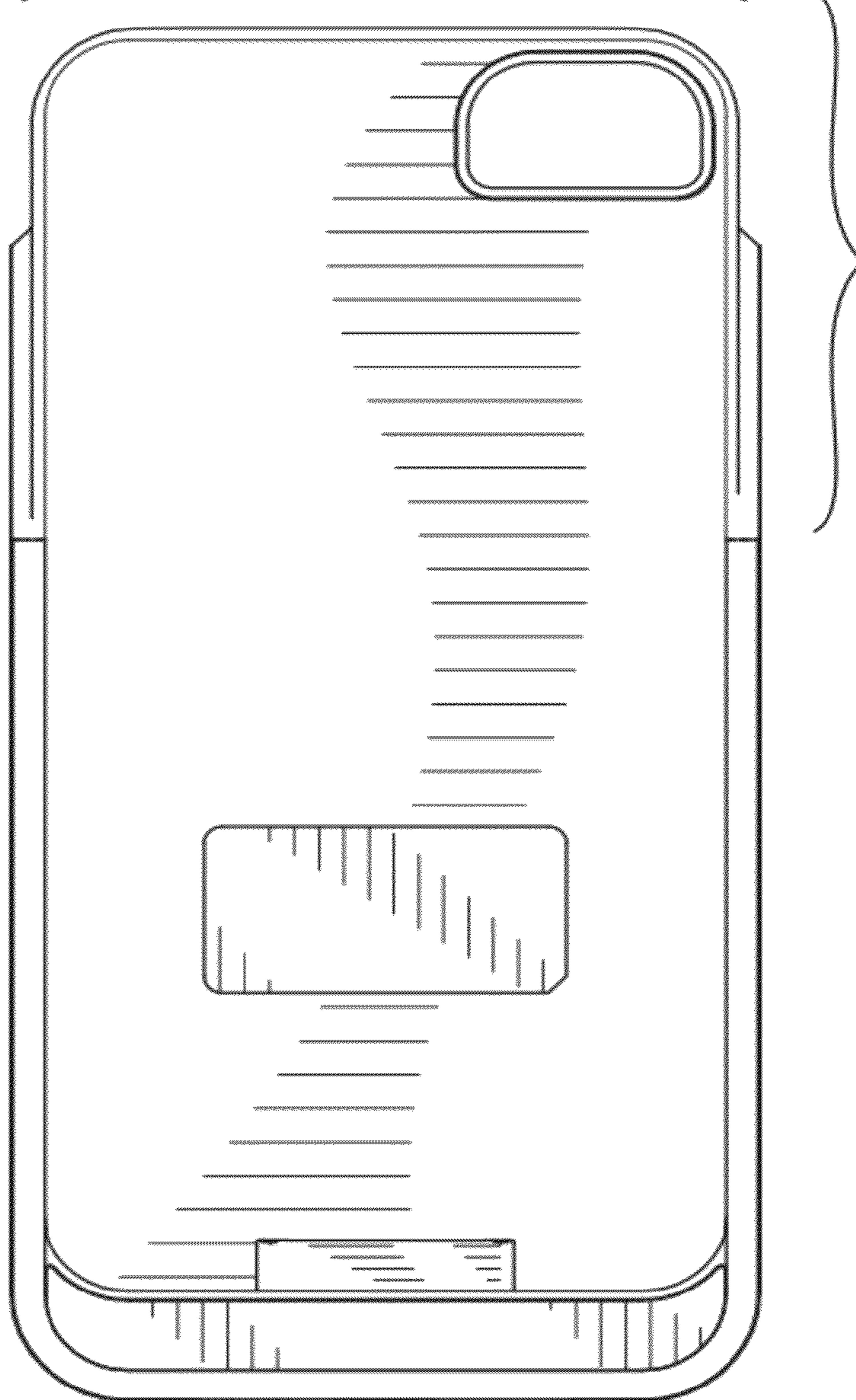
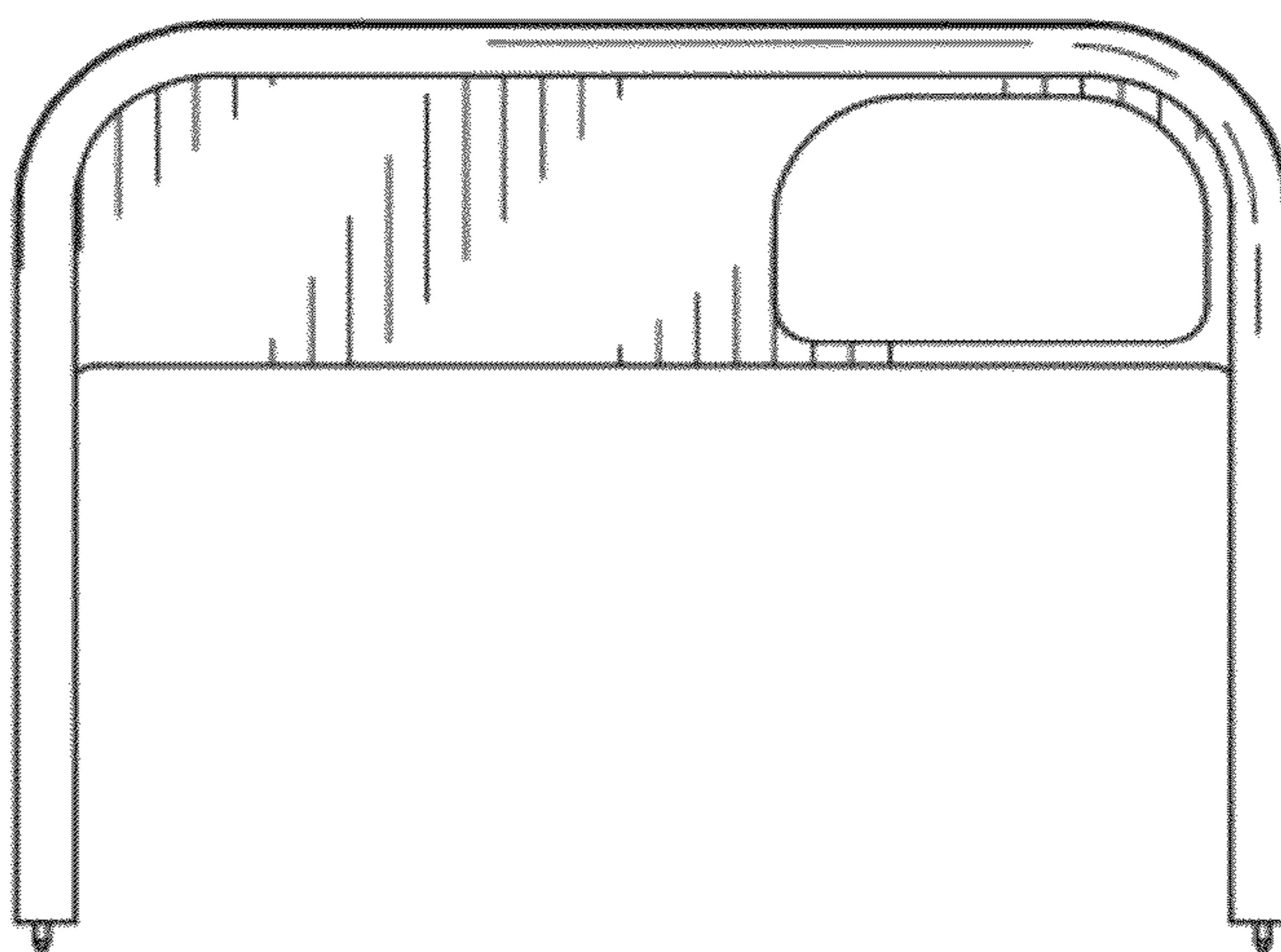


FIG. 13