

US00D663262S

(12) **United States Design Patent**  
**Cheung**

(10) **Patent No.:** **US D663,262 S**

(45) **Date of Patent:** **\*\* Jul. 10, 2012**

- (54) **FOLDABLE SOLAR PANEL**
- (75) Inventor: **Osbert Hay Cheung**, Concord, NC (US)
- (73) Assignee: **SBM Solar, Inc.**, Concord, NC (US)
- (\*\*) Term: **14 Years**
- (21) Appl. No.: **29/413,801**
- (22) Filed: **Feb. 21, 2012**
- (51) **LOC (9) Cl.** ..... **13-02**
- (52) **U.S. Cl.** ..... **D13/102**
- (58) **Field of Classification Search** ..... D13/102,  
D13/101, 103, 107, 108, 199; 136/206, 243,  
136/244, 245, 252; 320/101, 102, 114, 115,  
320/120; D14/432, 440  
See application file for complete search history.

- D620,431 S \* 7/2010 Sasada et al. .... D13/102
- D625,251 S \* 10/2010 Workman et al. .... D13/102
- D641,692 S \* 7/2011 Wharram ..... D13/102
- D650,736 S \* 12/2011 Wharram ..... D13/102

\* cited by examiner

*Primary Examiner* — Derrick Holland

(74) *Attorney, Agent, or Firm* — Shumaker, Loop & Kendrick, LLP

(57) **CLAIM**

The ornamental design for a foldable solar panel, as shown and described.

**DESCRIPTION**

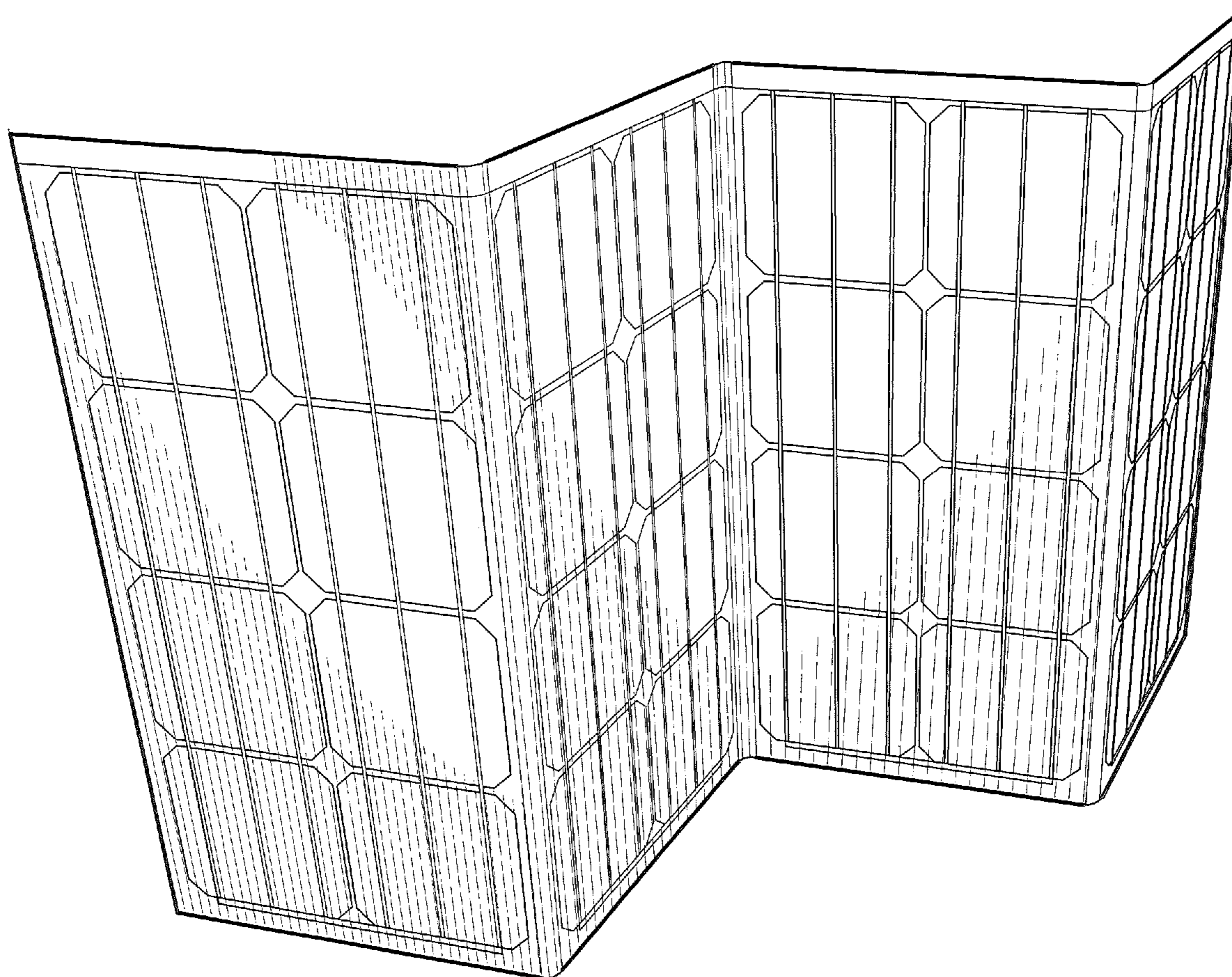
FIG. 1 is a front and top perspective view of a foldable solar panel showing the new design;  
 FIG. 2 is a back and top perspective view thereof;  
 FIG. 3 is a top view thereof;  
 FIG. 4 is a left side view thereof;  
 FIG. 5 is a front view thereof;  
 FIG. 6 is a back view thereof;  
 FIG. 7 is a right side view thereof; and,  
 FIG. 8 is a bottom view thereof.

**1 Claim, 6 Drawing Sheets**

(56) **References Cited**

**U.S. PATENT DOCUMENTS**

- 5,522,943 A \* 6/1996 Spencer et al. .... 136/245
- 6,476,311 B1 \* 11/2002 Lee et al. .... 136/244
- D510,316 S \* 10/2005 Hayakawa ..... D13/102
- D581,865 S \* 12/2008 Koza ..... D13/102
- D617,265 S \* 6/2010 Sasada et al. .... D13/102



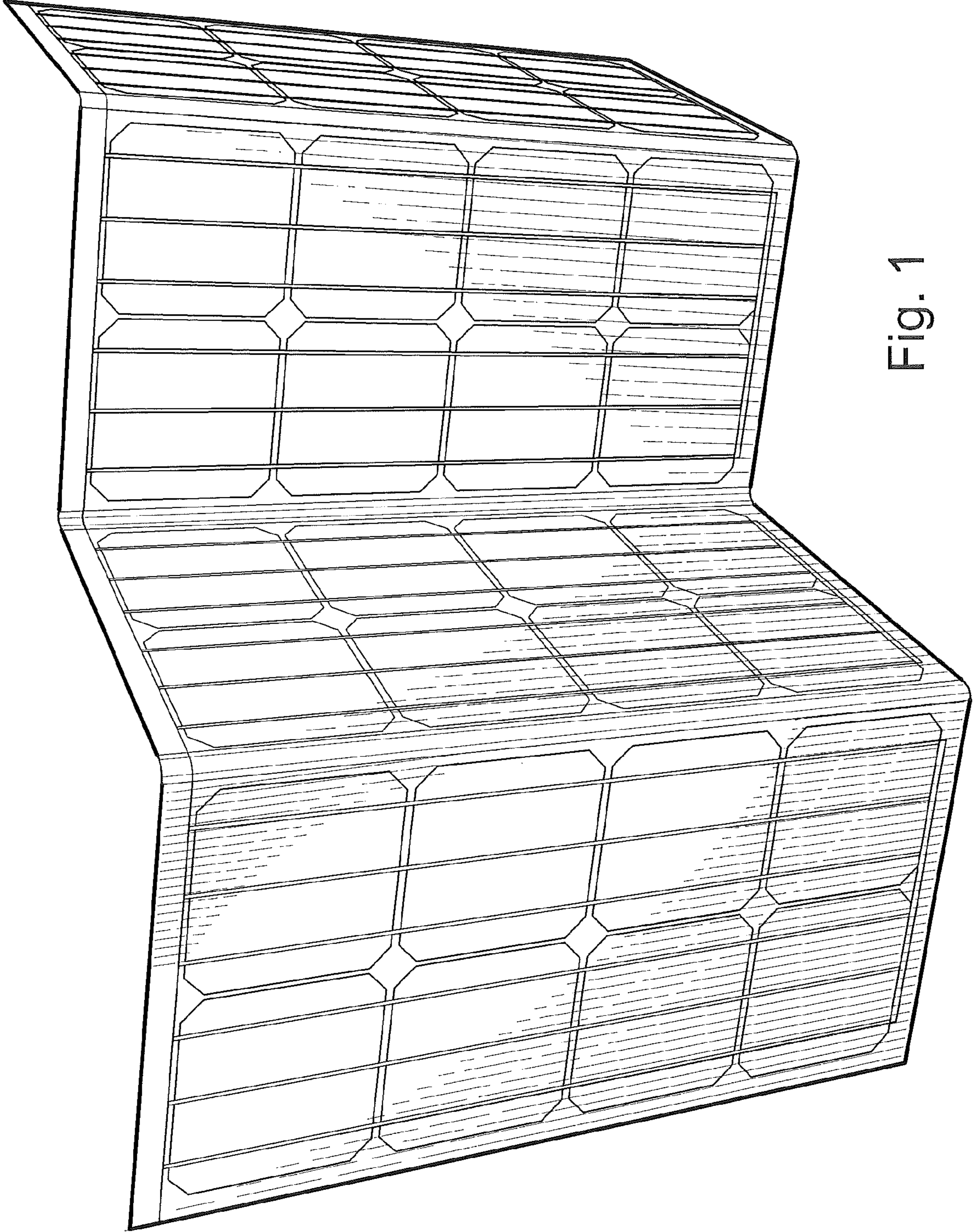


Fig. 1

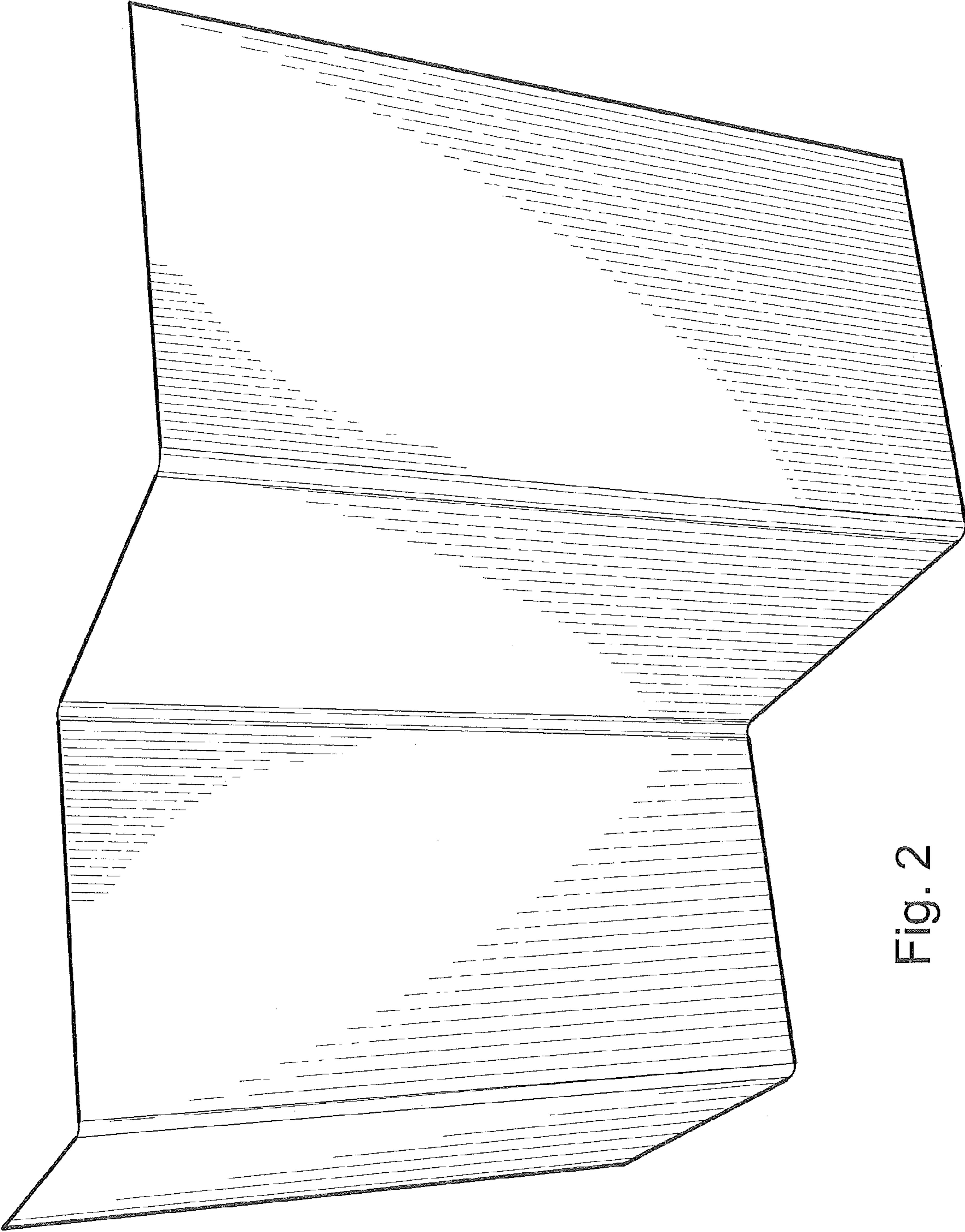


Fig. 2

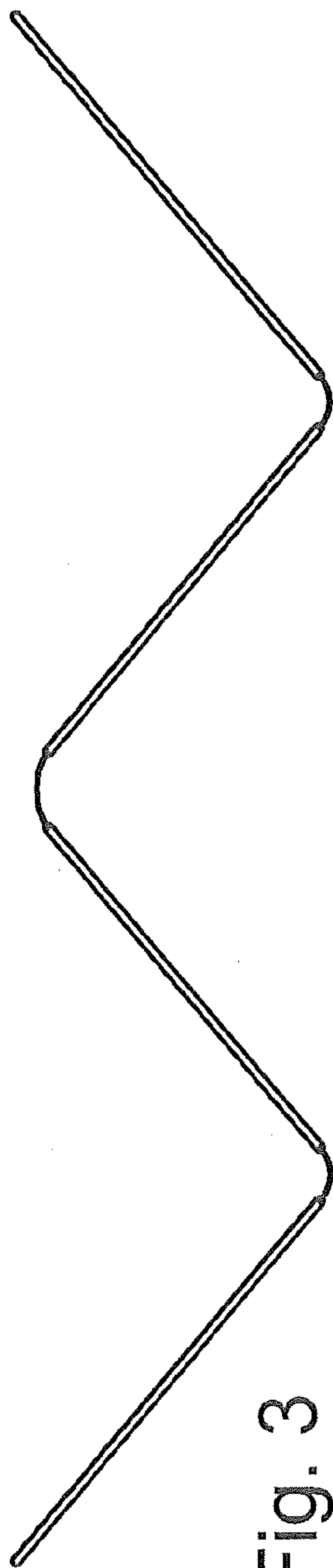


Fig. 3

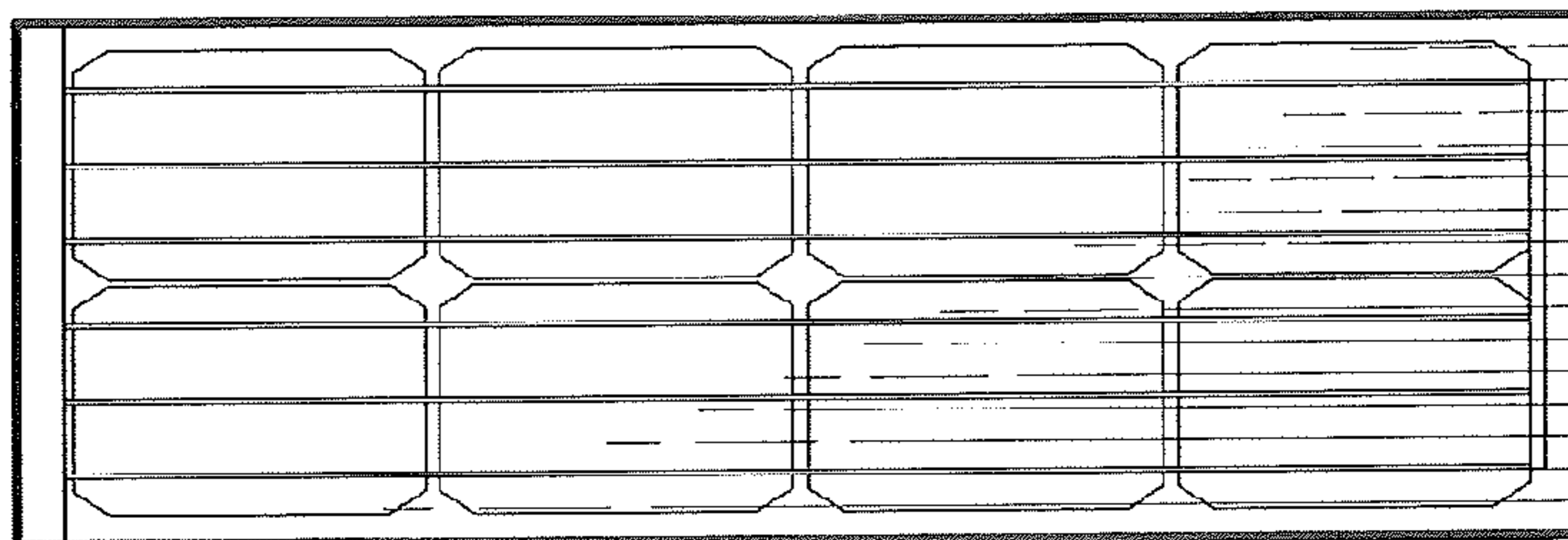


Fig. 4

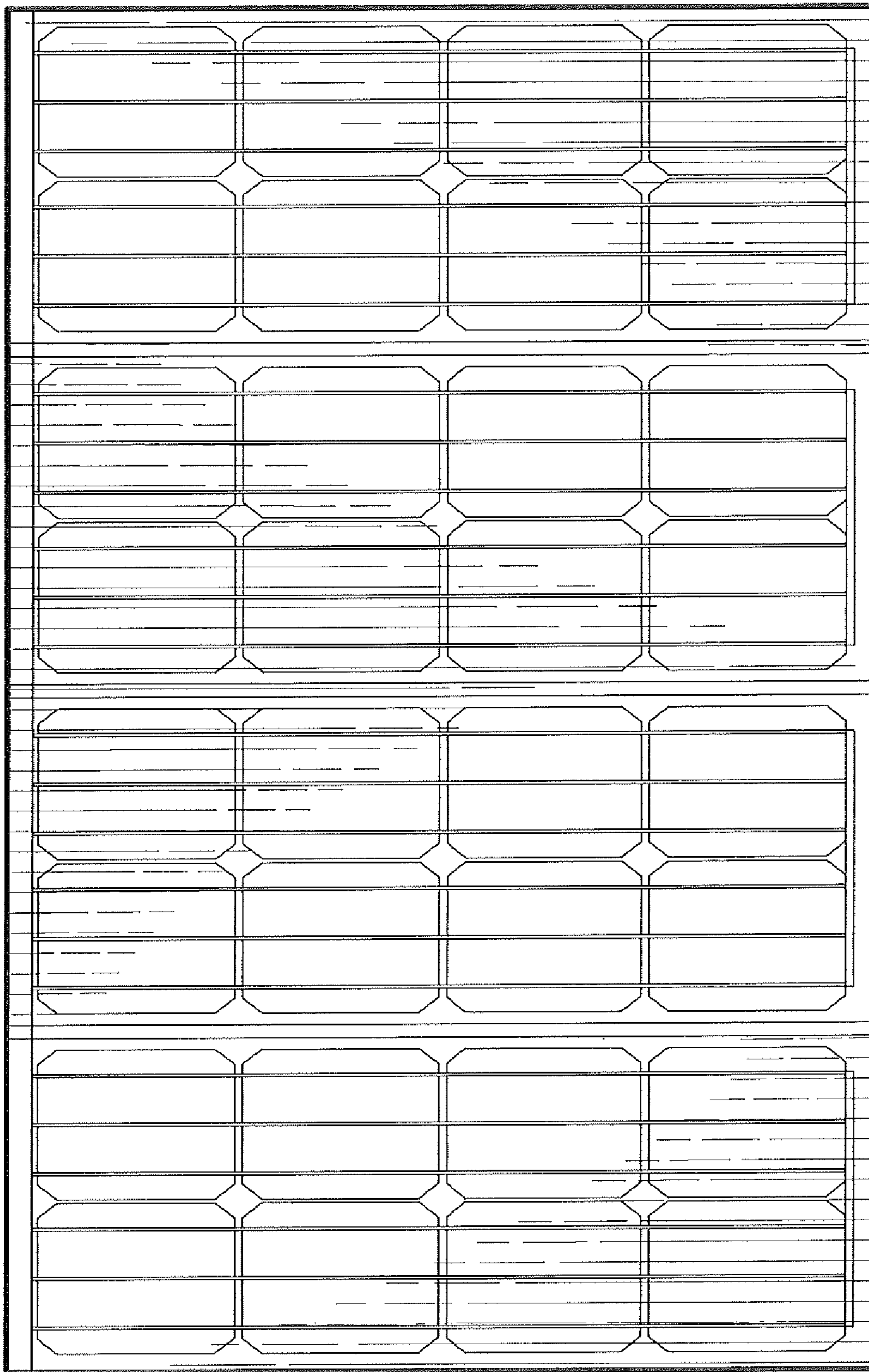


Fig. 5

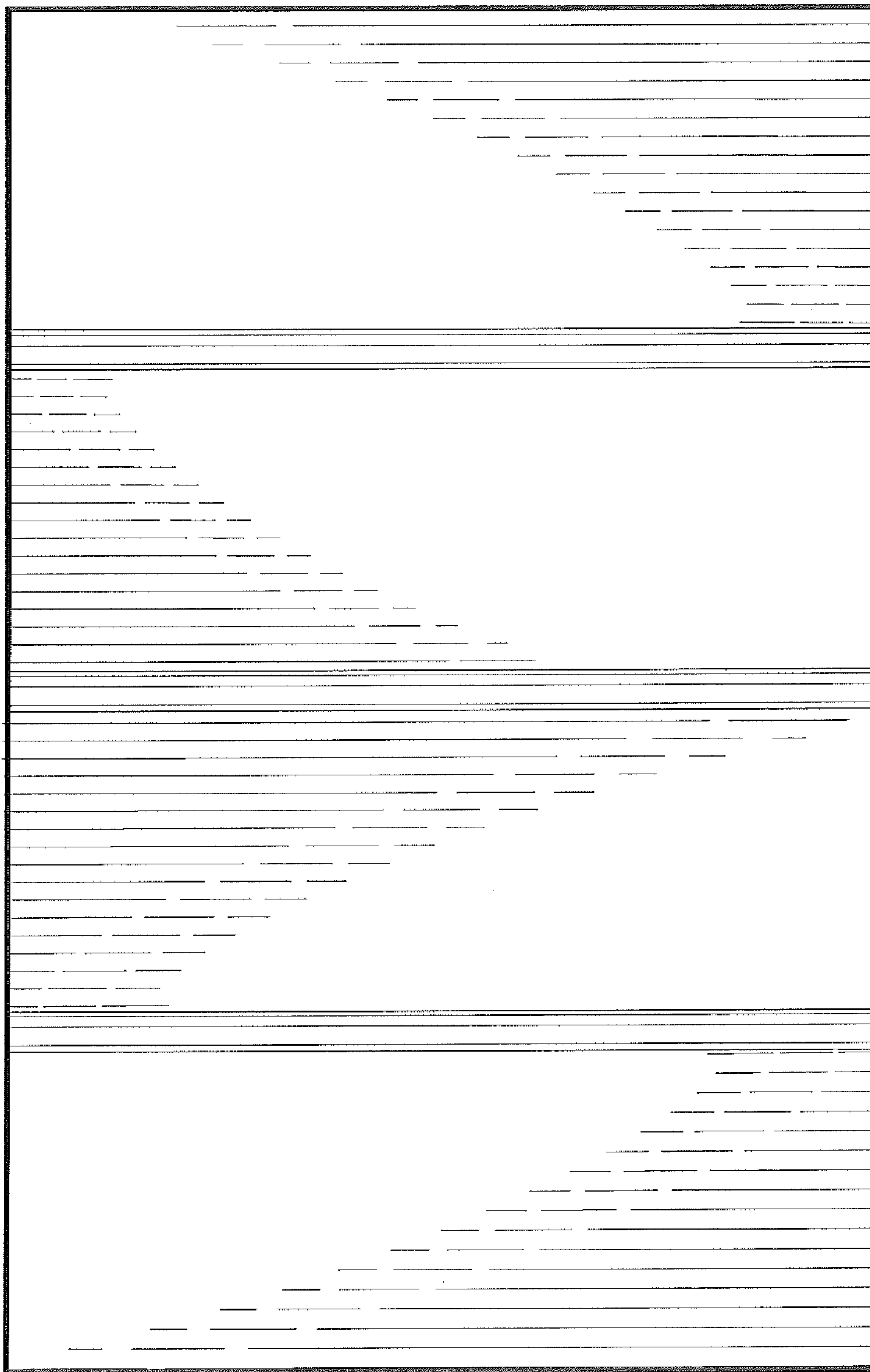


Fig. 6

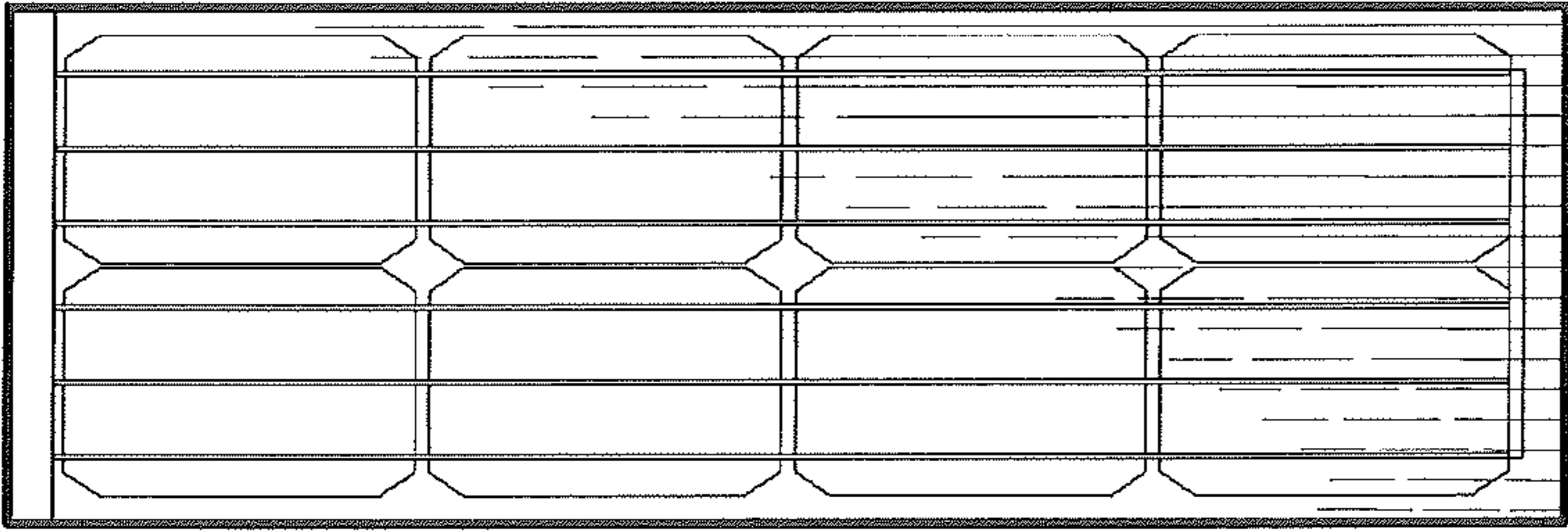


Fig. 7

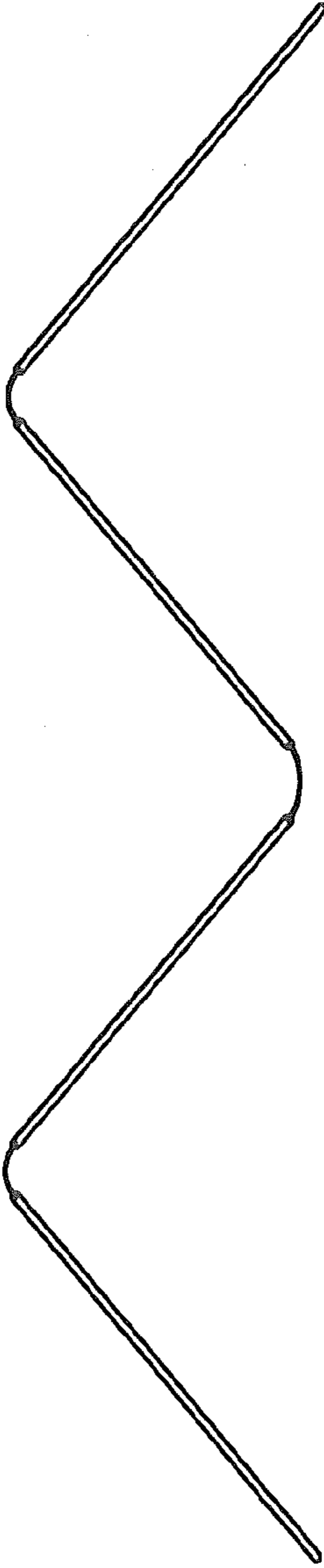


Fig. 8