



US00D663260S

(12) **United States Design Patent**
Fischer

(10) **Patent No.:** **US D663,260 S**
(45) **Date of Patent:** **** Jul. 10, 2012**

(54) **DUAL-AXIS SUN TRACKING FRAME ASSEMBLY**

(75) Inventor: **Hans-Peter Fischer**, Wendelstein (DE)

(73) Assignee: **Tecnosun Solar Systems**, Hannover (DE)

(**) Term: **14 Years**

(21) Appl. No.: **29/388,776**

(22) Filed: **Apr. 1, 2011**

(30) **Foreign Application Priority Data**

Oct. 1, 2010 (EM) 1762543-0003
Oct. 1, 2010 (EM) 1762543-0004

(51) **LOC (9) Cl.** **13-02**

(52) **U.S. Cl.** **D13/102**

(58) **Field of Classification Search** D13/102,
D13/101, 184, 199; 52/173.3; 126/569-578,
126/580, 600, 601, 680, 682, 683, 685, 689;
136/206, 244-251, 256, 291, 292; 250/203.4
See application file for complete search history.

(56) **References Cited**

U.S. PATENT DOCUMENTS

4,172,739 A * 10/1979 Tassen 136/246
4,179,612 A * 12/1979 Smith 250/203.4

4,245,153 A * 1/1981 Porter 250/203.4
4,585,318 A * 4/1986 Seifert 353/3
5,685,151 A * 11/1997 Ross 60/641.8
7,240,674 B2 * 7/2007 Patterson 126/573
D565,505 S * 4/2008 Shugar et al. D13/102
D586,737 S * 2/2009 Shugar et al. D13/102
D620,880 S * 8/2010 Xuan D13/102
2005/0284467 A1 * 12/2005 Patterson 126/580

* cited by examiner

Primary Examiner — Derrick Holland

(74) *Attorney, Agent, or Firm* — Laurence A. Greenberg;
Werner H. Stemer; Ralph E. Locher

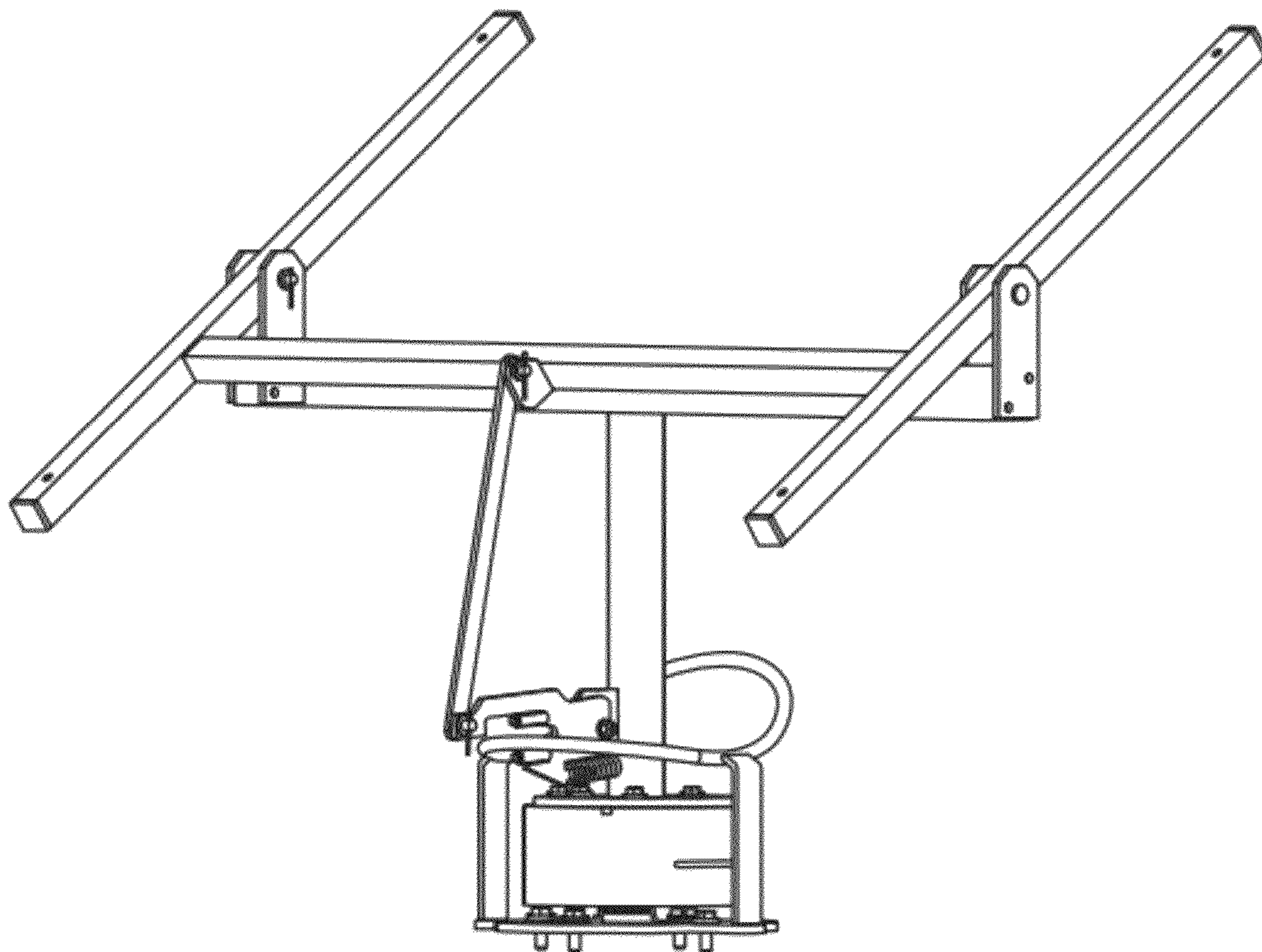
(57) **CLAIM**

The ornamental design for a dual-axis sun tracking frame assembly, as shown and described.

DESCRIPTION

FIG. 1 is a front and right side perspective view of a dual-axis sun tracking frame assembly showing my new design; FIG. 2 is a rear and right side perspective view thereof; FIG. 3 is a top and front perspective view thereof; FIG. 4 is an enlarged fragmentary side view of the lower details thereof, the opposite side being a mirror image; FIG. 5 is another side view thereof, of that shown in FIG. 4; and, FIG. 6 is another side view thereof, rotated 90° relative to that of FIG. 5.

1 Claim, 3 Drawing Sheets



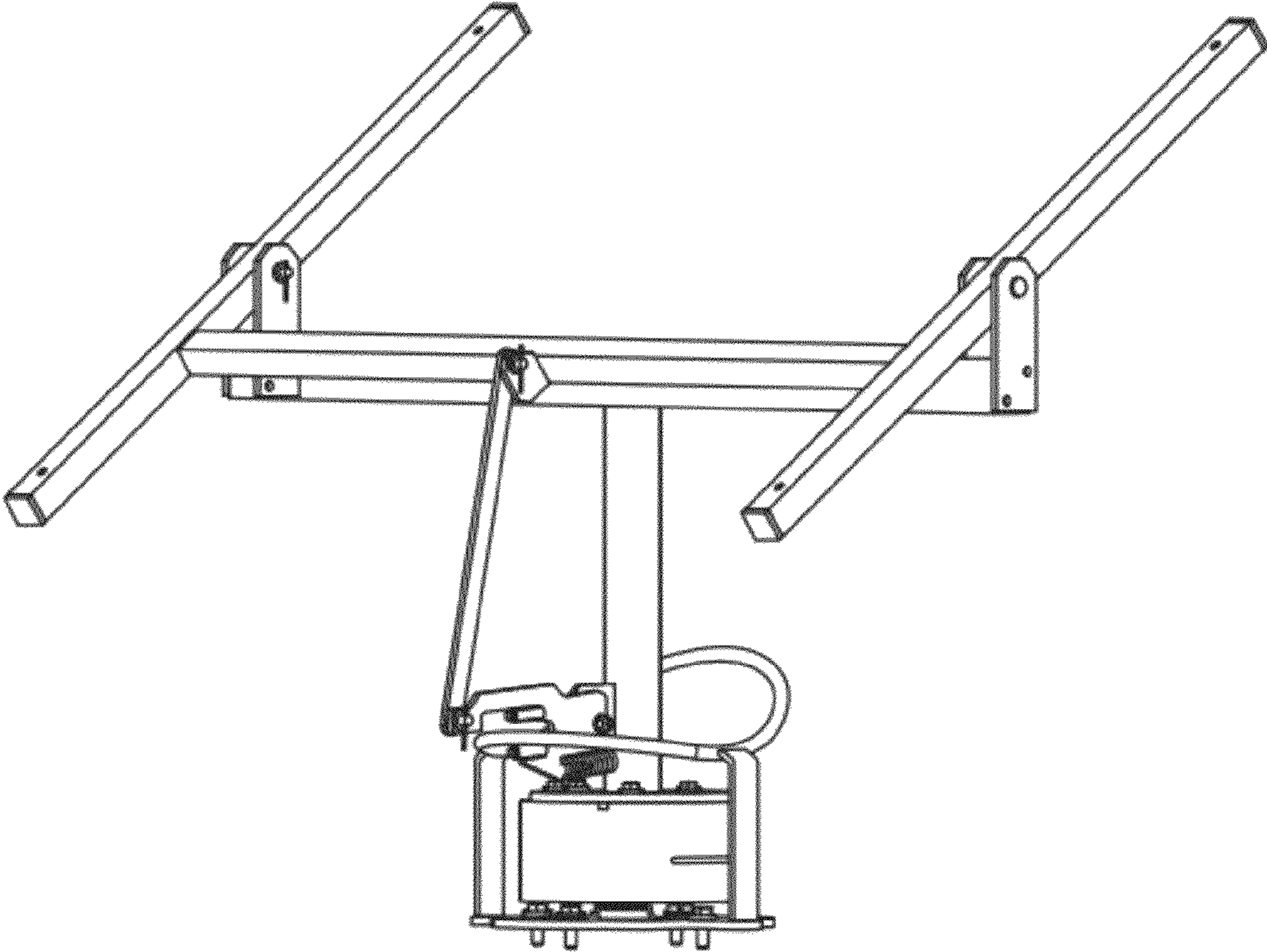


Fig. 1

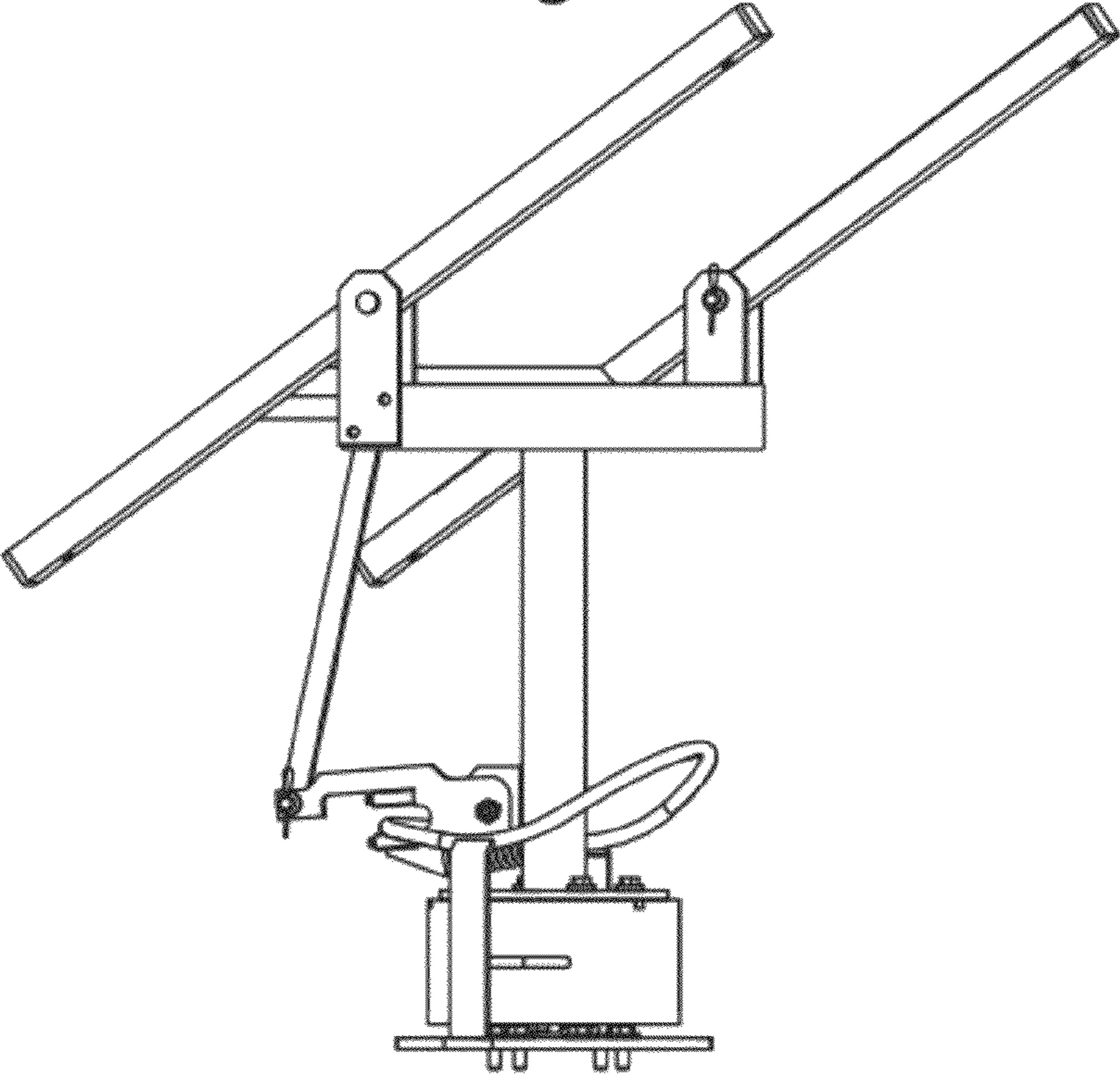


Fig. 2

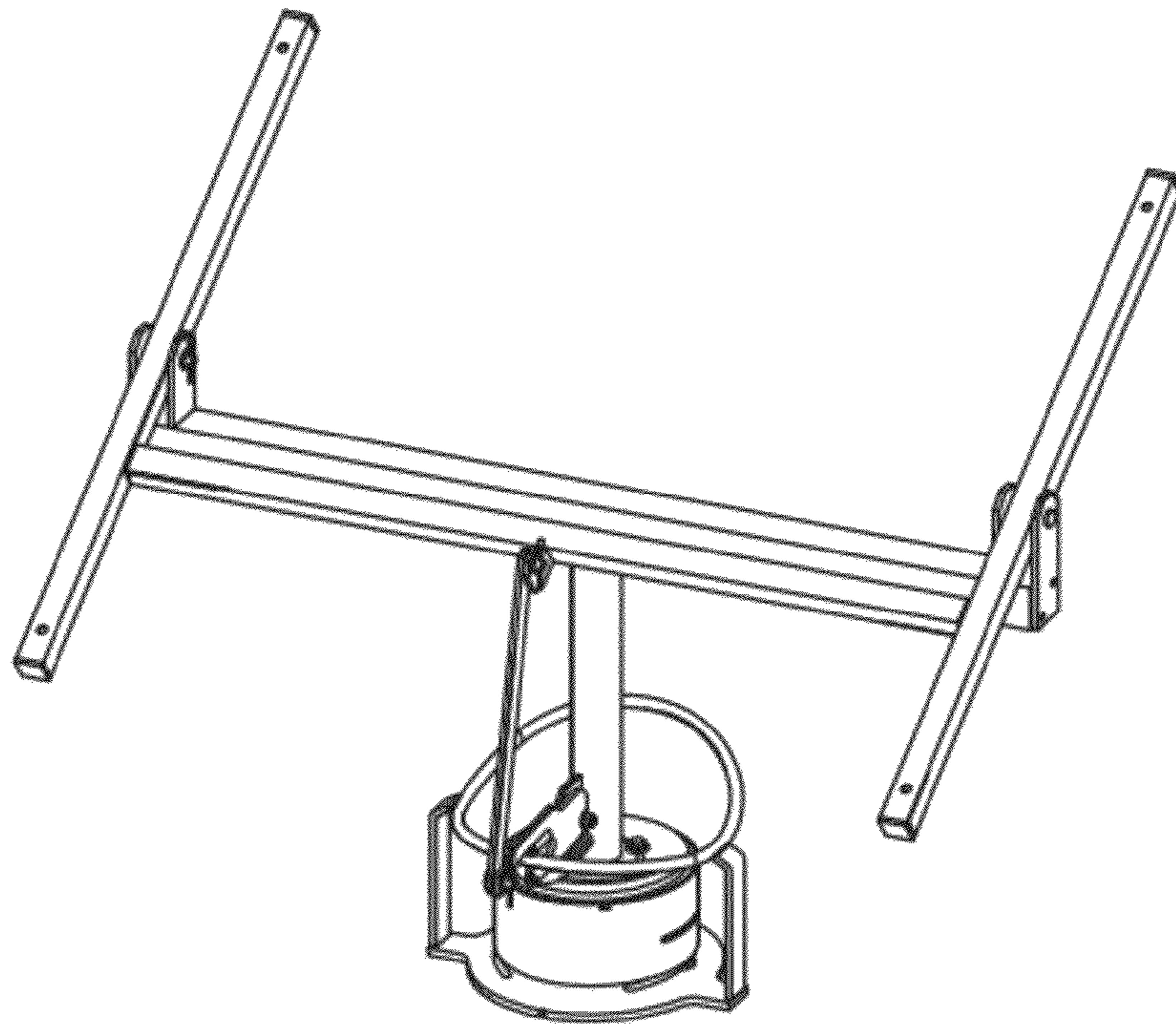


Fig. 3

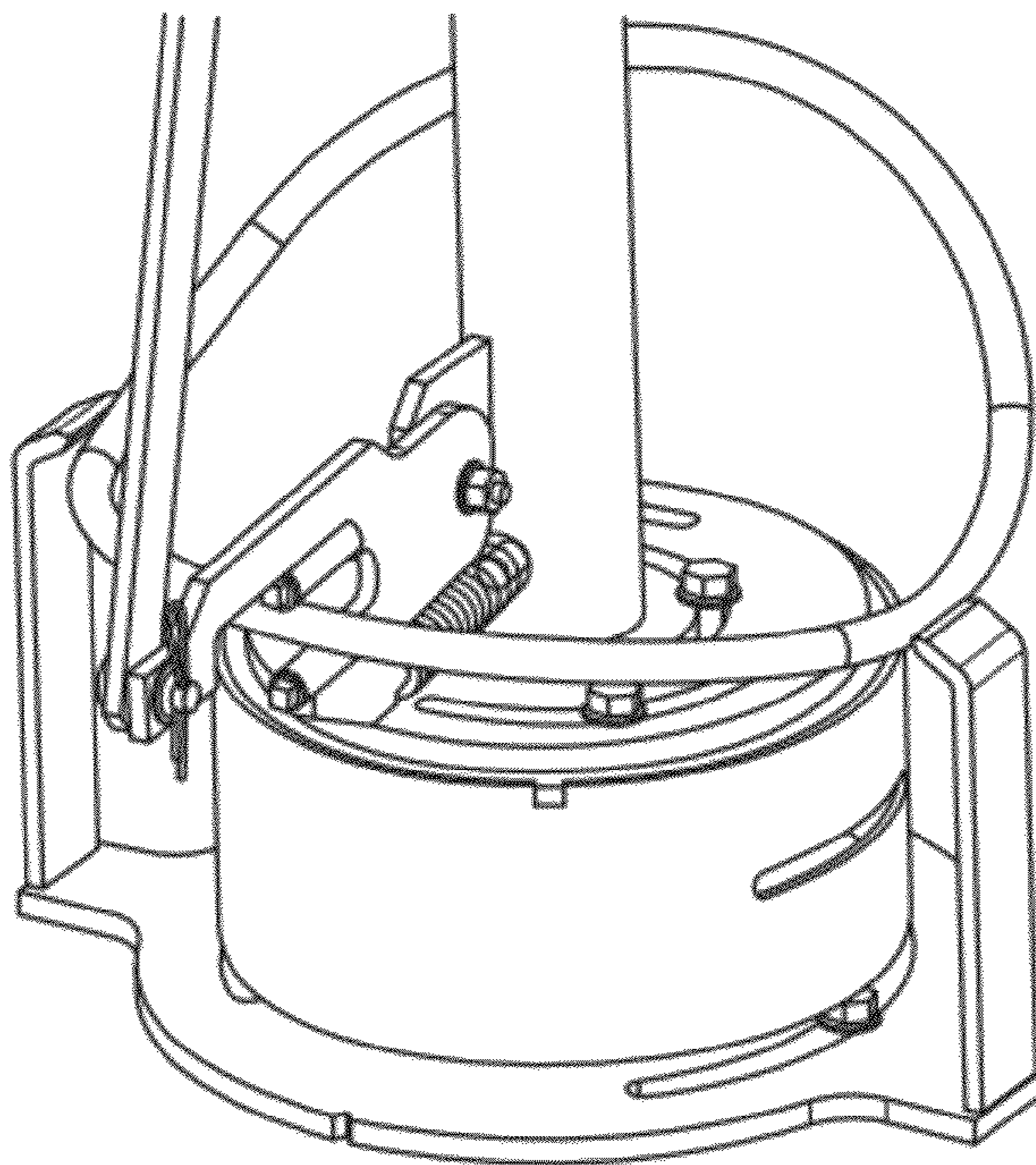


Fig. 4

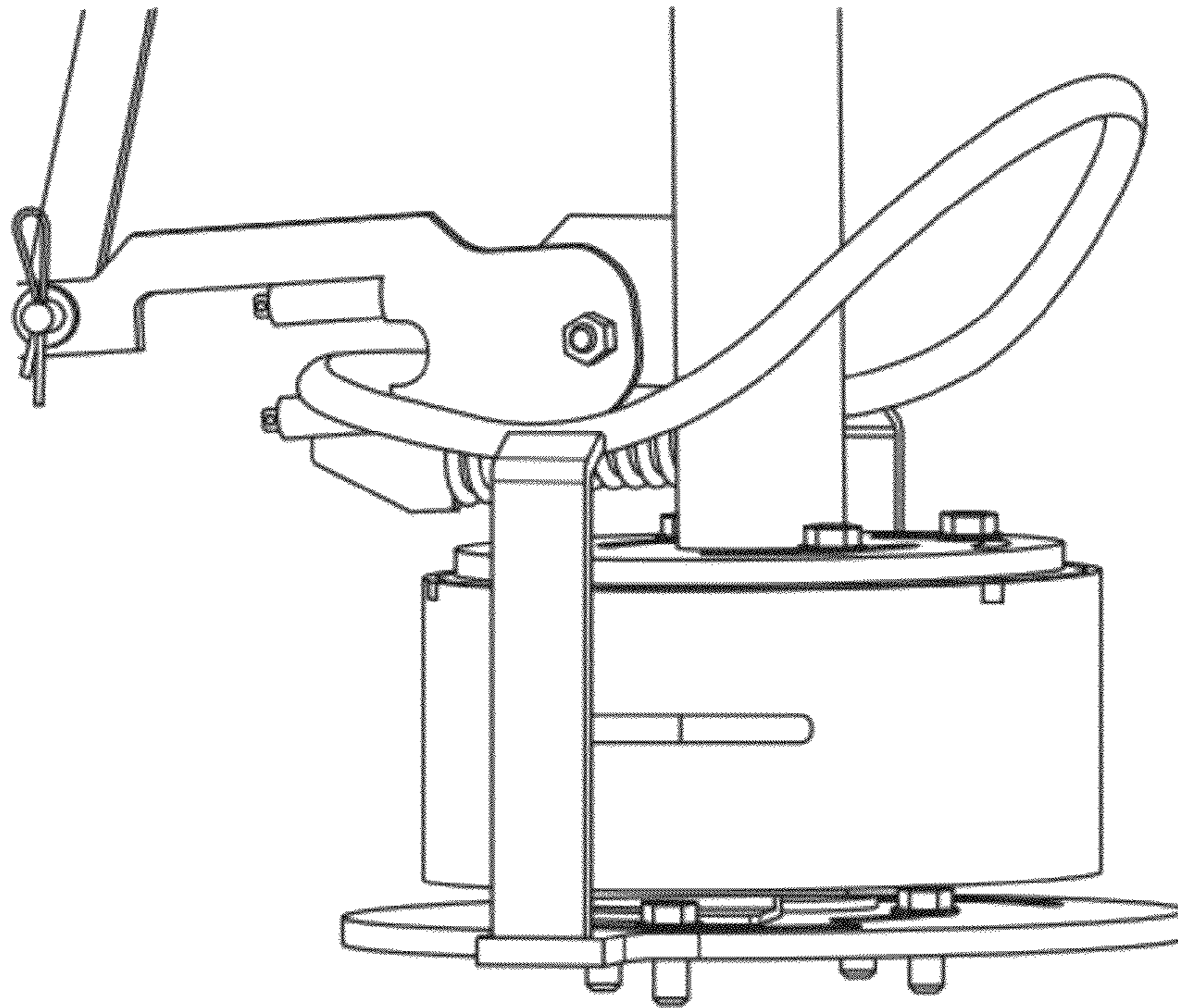


Fig. 5

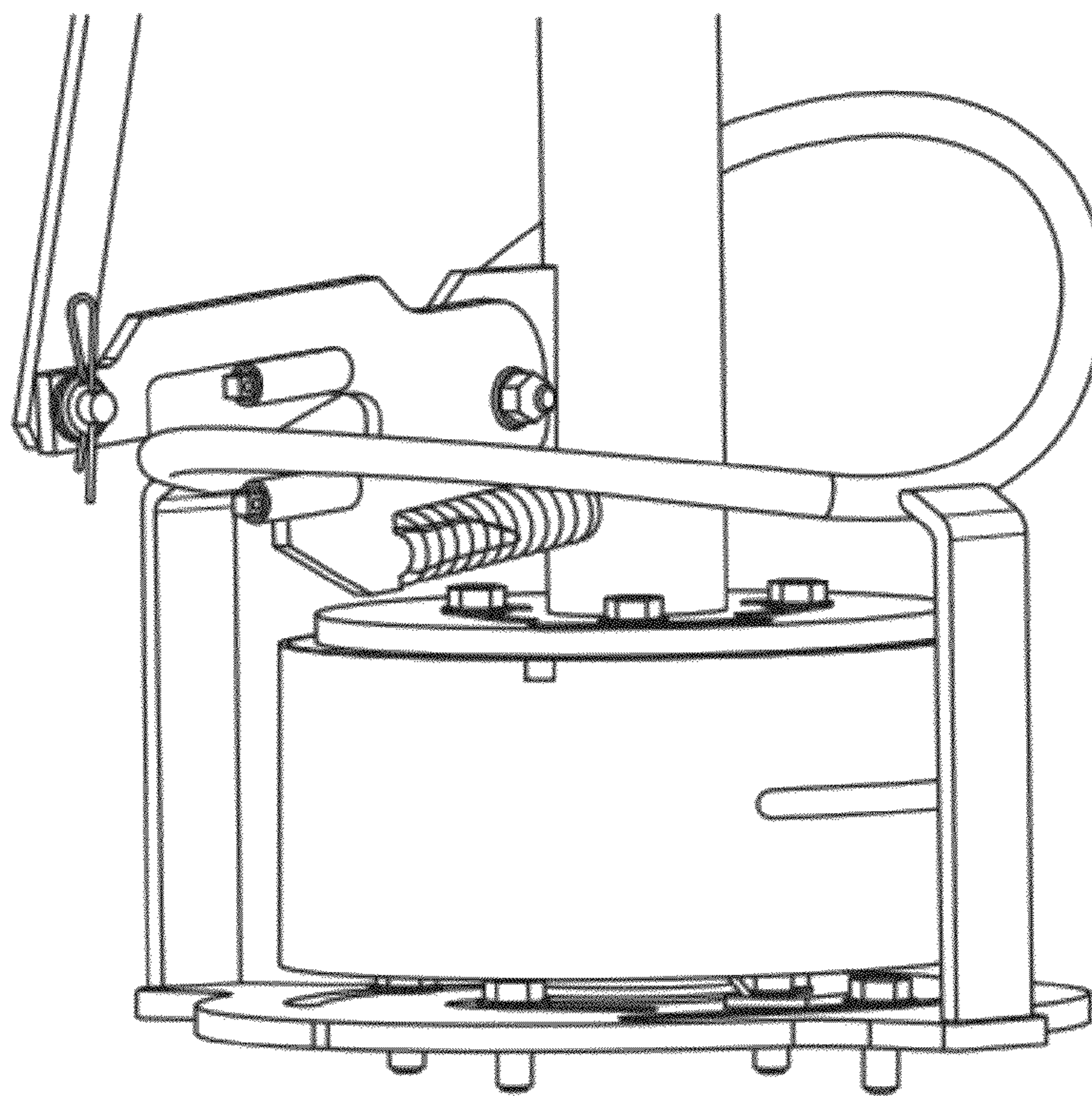


Fig. 6