



US00D663257S

(12) **United States Design Patent**  
**Stroud et al.**

(10) **Patent No.:** **US D663,257 S**

(45) **Date of Patent:** **\*\* Jul. 10, 2012**

(54) **TOTE**

(74) *Attorney, Agent, or Firm* — Frank Marino

(76) Inventors: **Annette Marie Stroud**, Chattanooga, TN (US); **Johnny Lamar Brown**, Chattanooga, TN (US)

(57) **CLAIM**  
The ornamental design for a tote, as shown and described.

(\*\*) Term: **14 Years**

**DESCRIPTION**

(21) Appl. No.: **29/363,968**

(22) Filed: **Jun. 16, 2010**

(51) **LOC (9) Cl.** ..... **12-16**

(52) **U.S. Cl.** ..... **D12/425**

(58) **Field of Classification Search** ..... D12/416,  
D12/415, 417, 418, 419, 425; 296/36; 22/36;  
224/404, 275; D3/318

See application file for complete search history.

FIG. 1 is a perspective view of a tote according to a first embodiment of our new design;  
FIG. 2 is a front view of the tote of FIG. 1; the rear view being a mirror image thereof;  
FIG. 3 is a right side view of the tote of FIG. 1, the left side view being a mirror image thereof;  
FIG. 4 is a top view of the tote of FIG. 1;  
FIG. 5 is a bottom view of the tote of FIG. 1;  
FIG. 6 is a perspective view of a tote according to a second embodiment of our new design;  
FIG. 7 is a front view of the tote of FIG. 6; the rear view being a mirror image thereof;  
FIG. 8 is a right side view of the tote of FIG. 6, the left side view being a mirror image thereof;  
FIG. 9 is a top view of the tote of FIG. 6;  
FIG. 10 is a bottom view of the tote of FIG. 6;  
FIG. 11 is a perspective view of a tote according to a third embodiment of our new design;  
FIG. 12 is a perspective view of a tote according to a fourth embodiment of our new design; and,  
FIG. 13 is a perspective view of a tote according to a fifth embodiment of our new design.

In the drawings, the broken lines depict portions of the tote that form no part of the claim.

(56) **References Cited**

U.S. PATENT DOCUMENTS

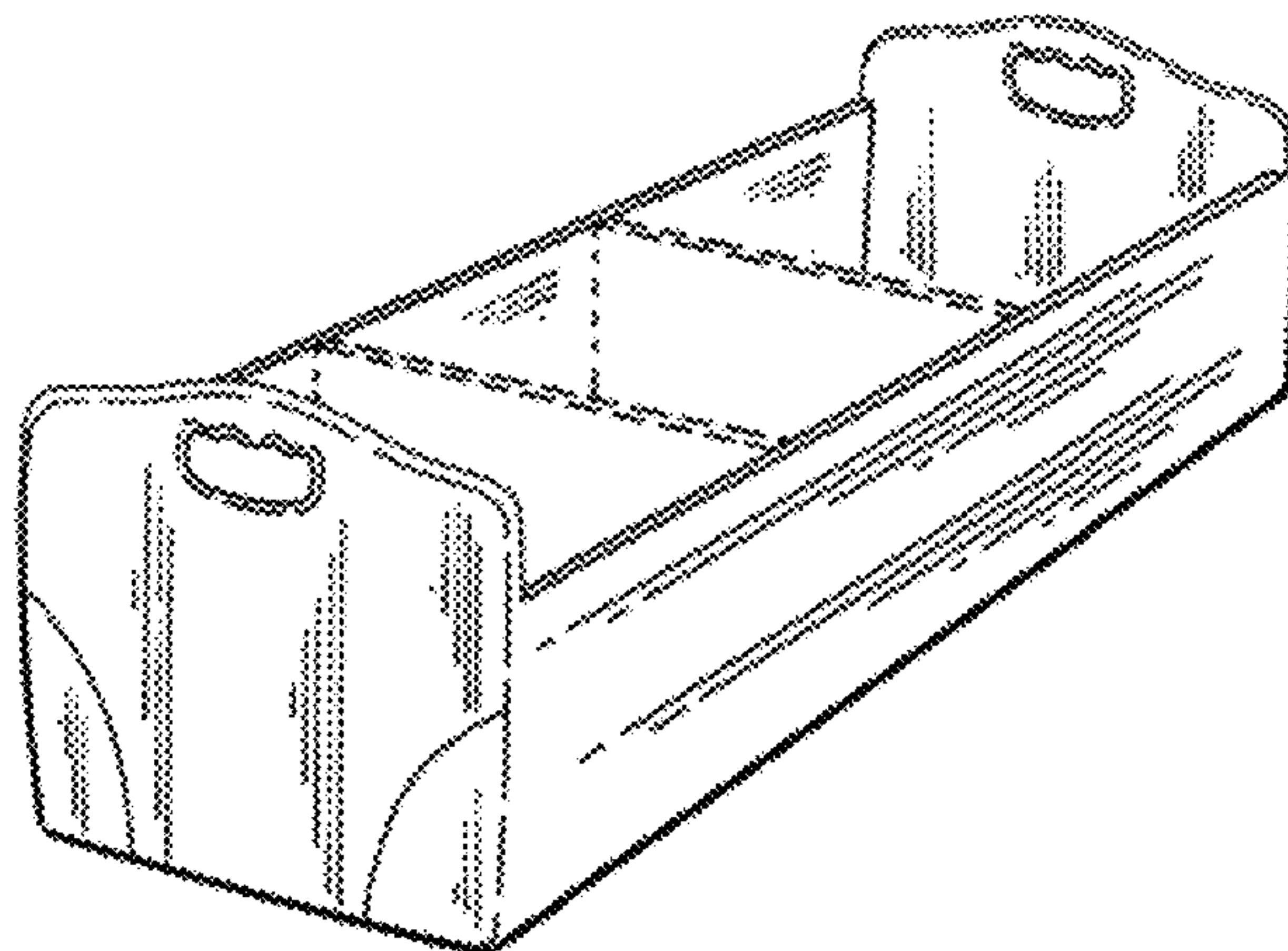
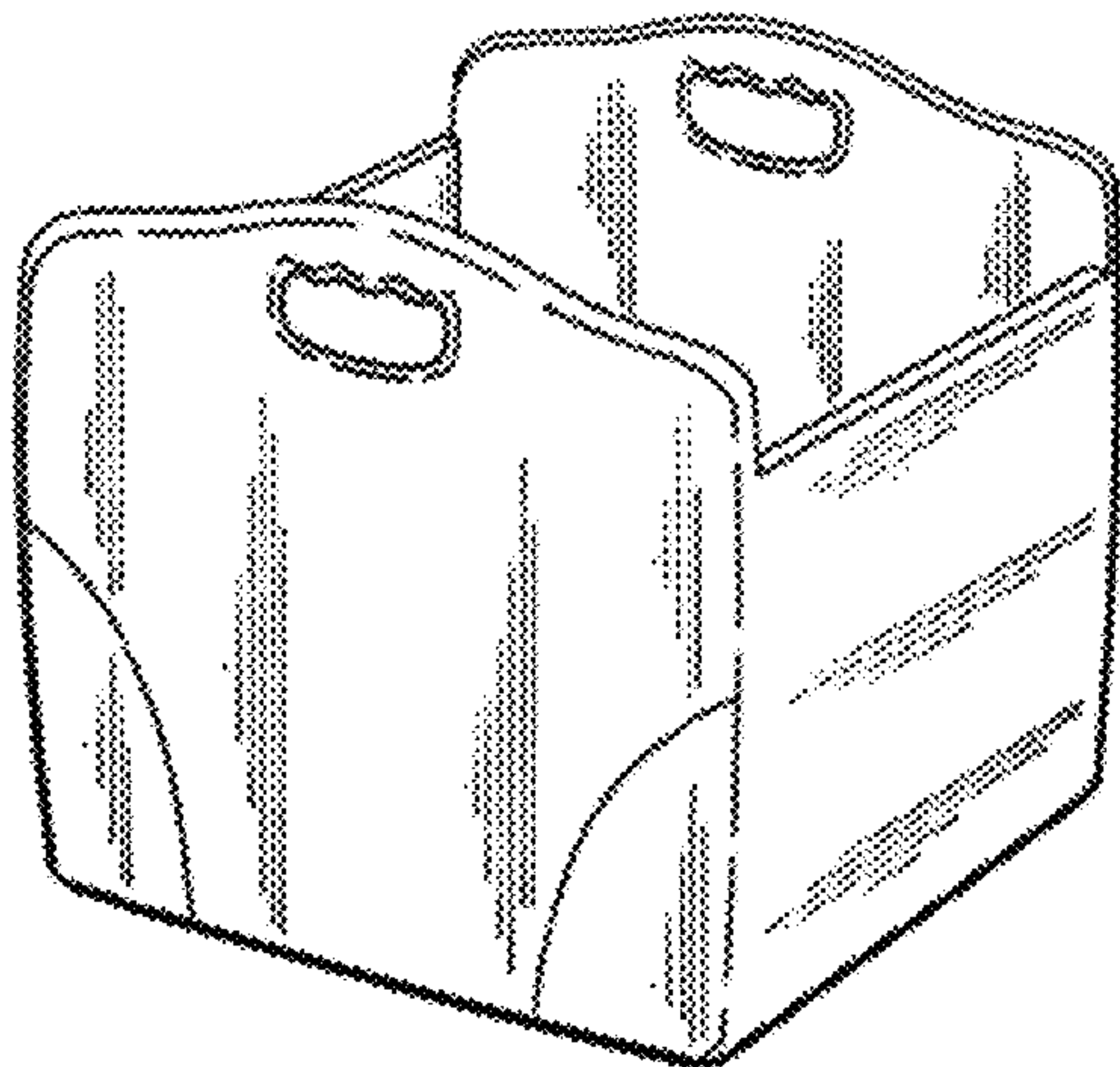
D386,336 S	*	11/1997	Douglas	.....	D6/510
D424,298 S	*	5/2000	Laib	.....	D7/602
D530,516 S	*	10/2006	Snell	.....	D3/304
D530,918 S	*	10/2006	Snell	.....	D3/304
D530,919 S	*	10/2006	Snell	.....	D3/304
D530,920 S	*	10/2006	Snell	.....	D3/304
D530,921 S	*	10/2006	Snell	.....	D3/304
D583,562 S	*	12/2008	Ghiorghie	.....	D3/304
D612,608 S	*	3/2010	Snell	.....	D3/304
D628,802 S	*	12/2010	Kraemer	.....	D3/318

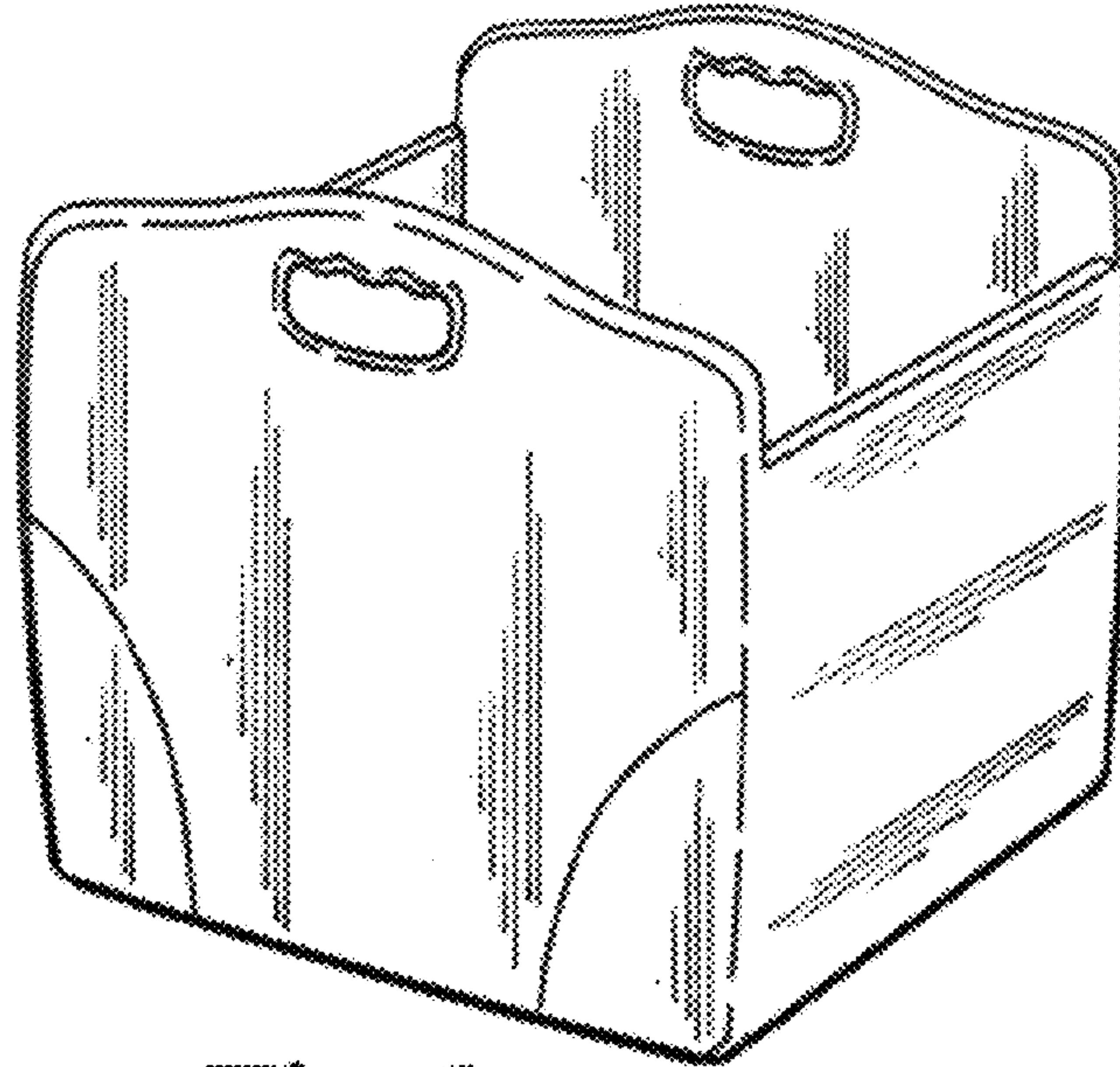
\* cited by examiner

*Primary Examiner* — Richard E Chilcot

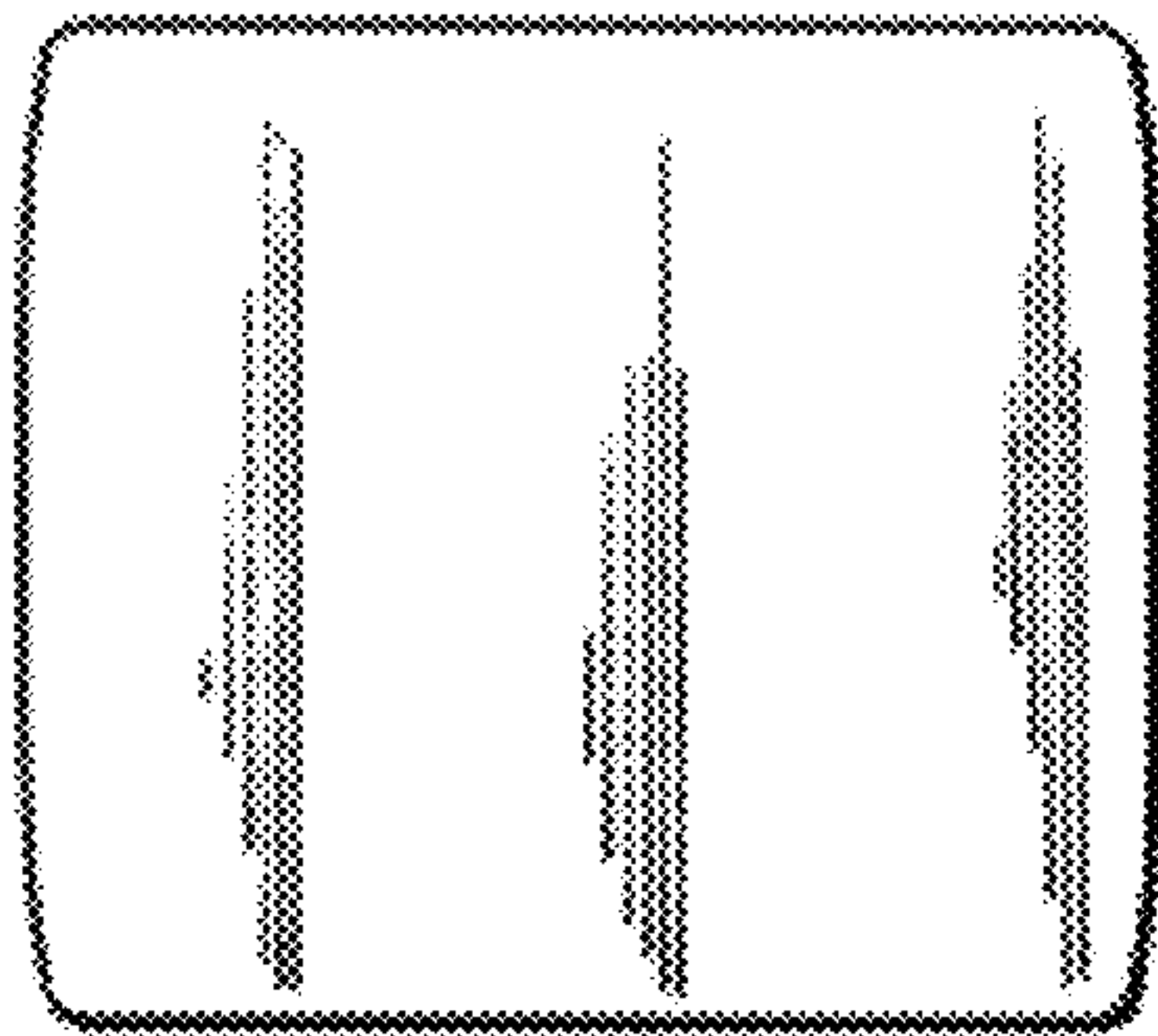
*Assistant Examiner* — Katrina A Betton

**1 Claim, 3 Drawing Sheets**

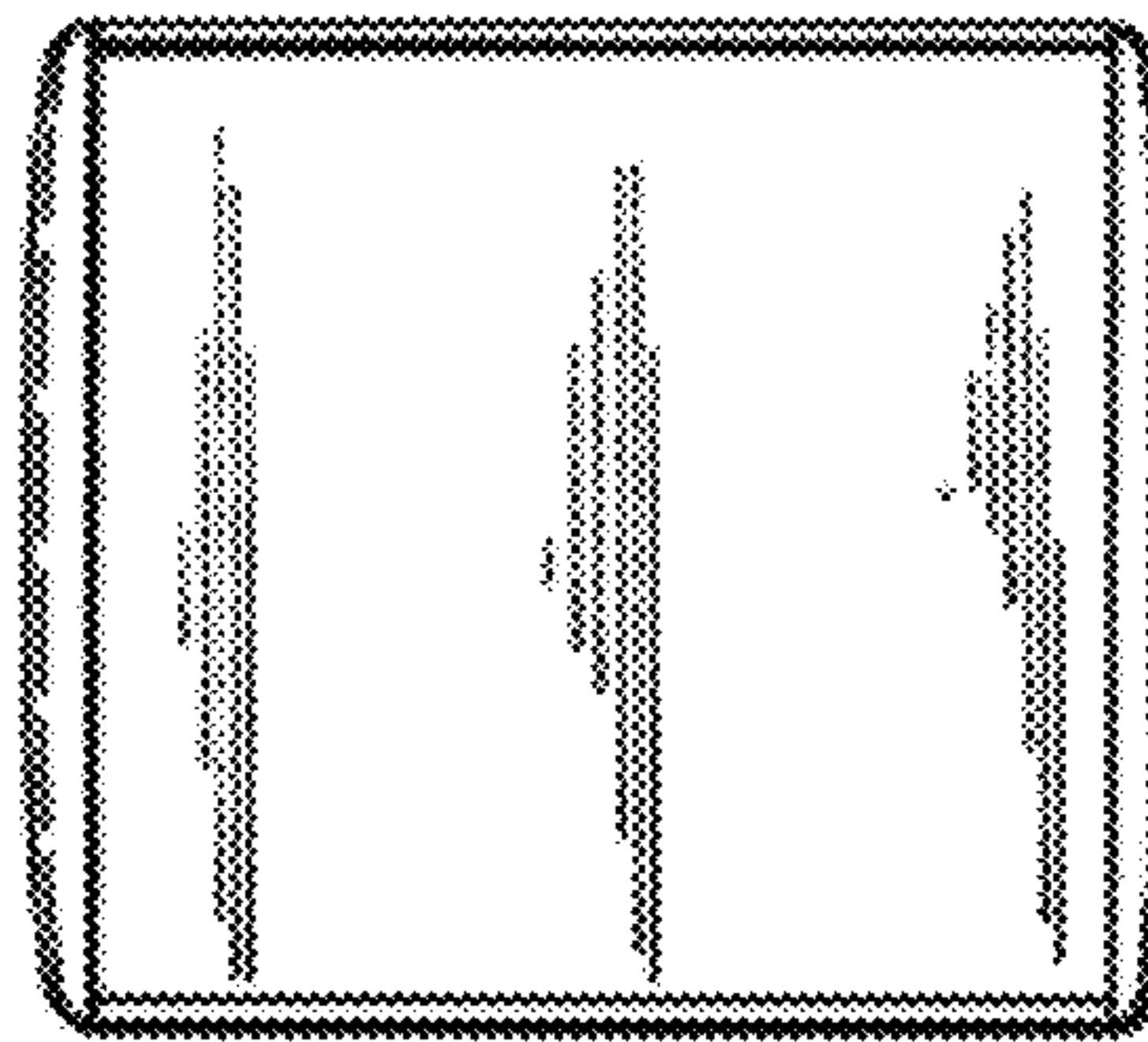




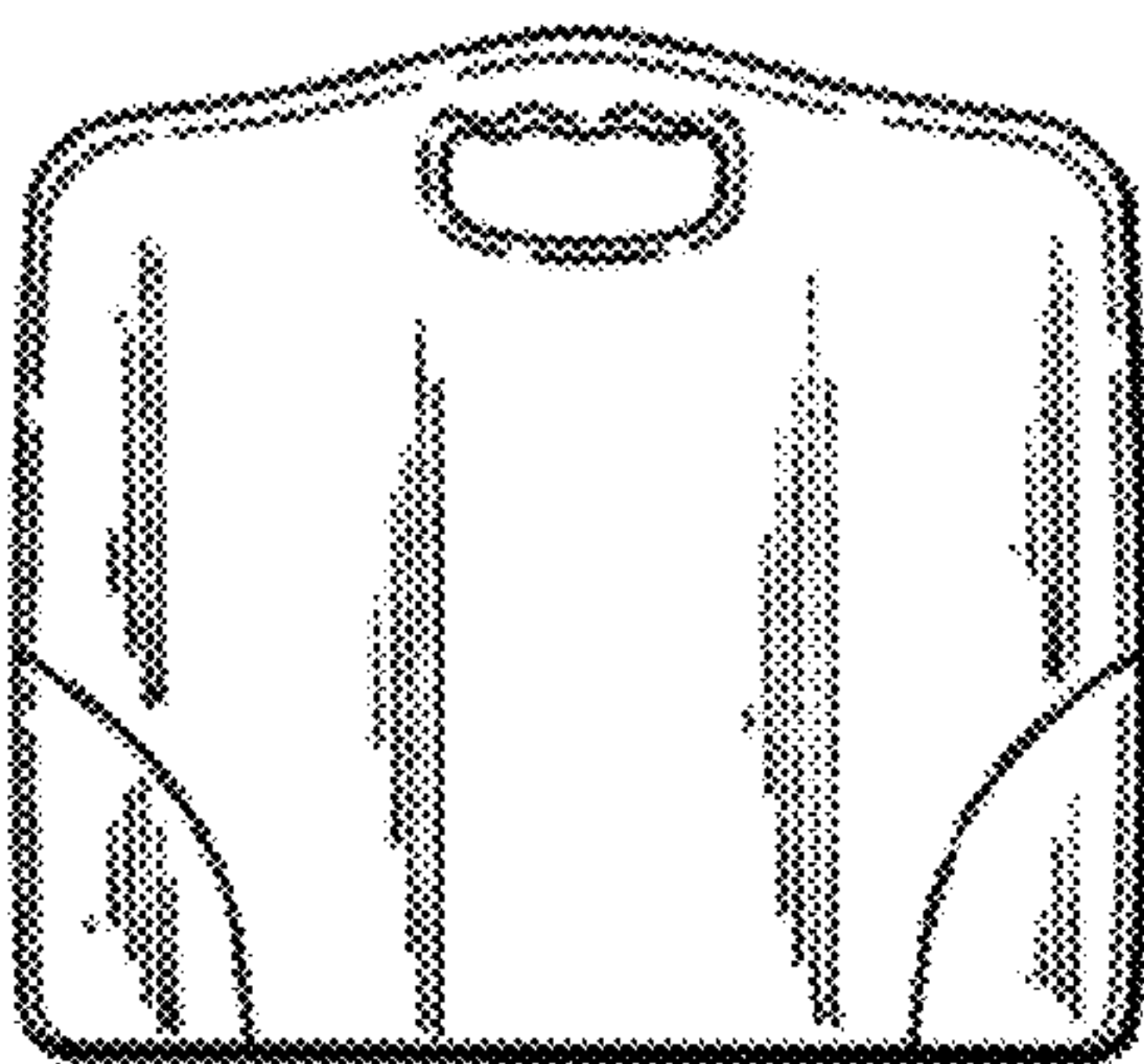
*Fig. 1*



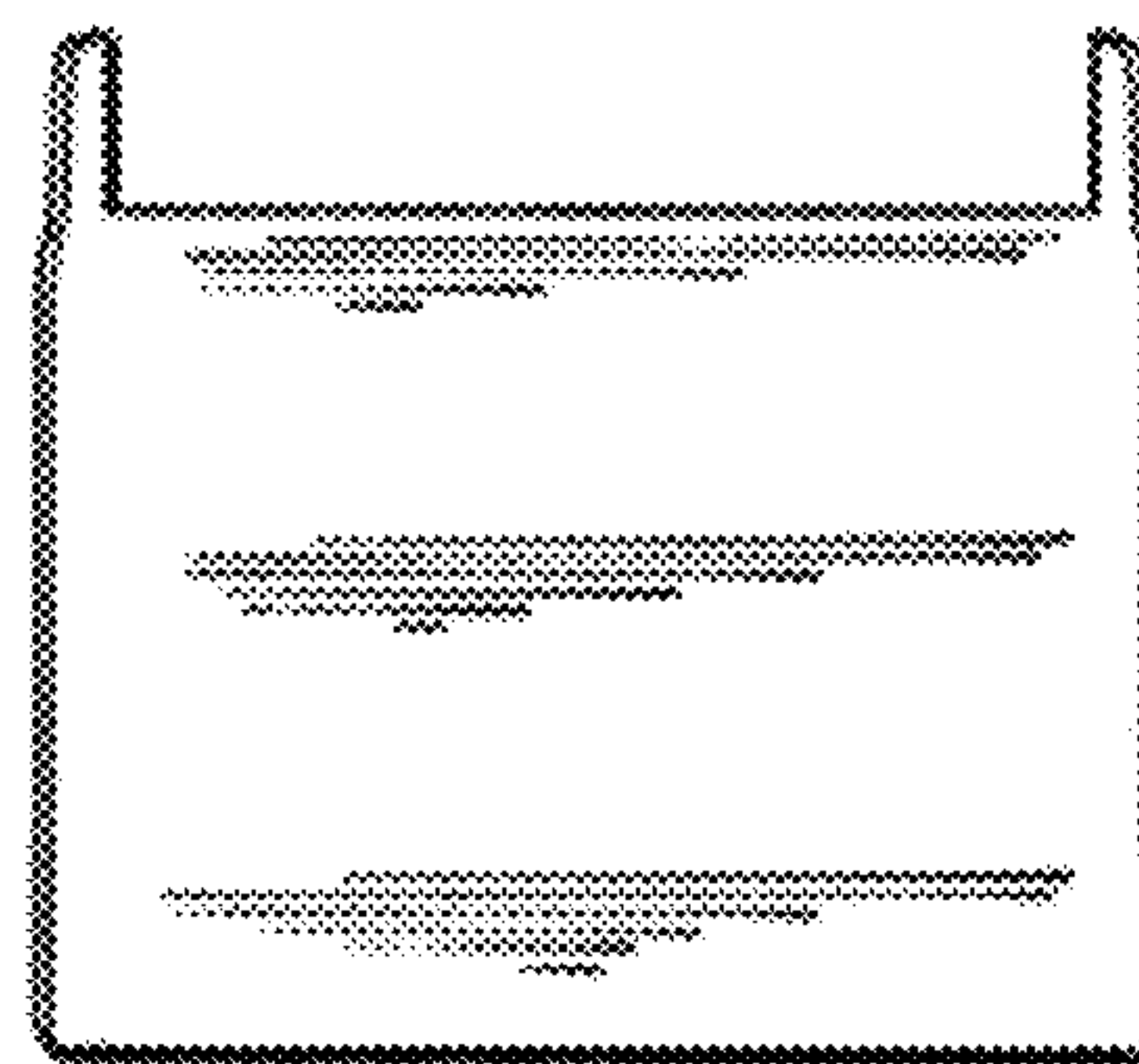
*Fig. 5*



*Fig. 4*

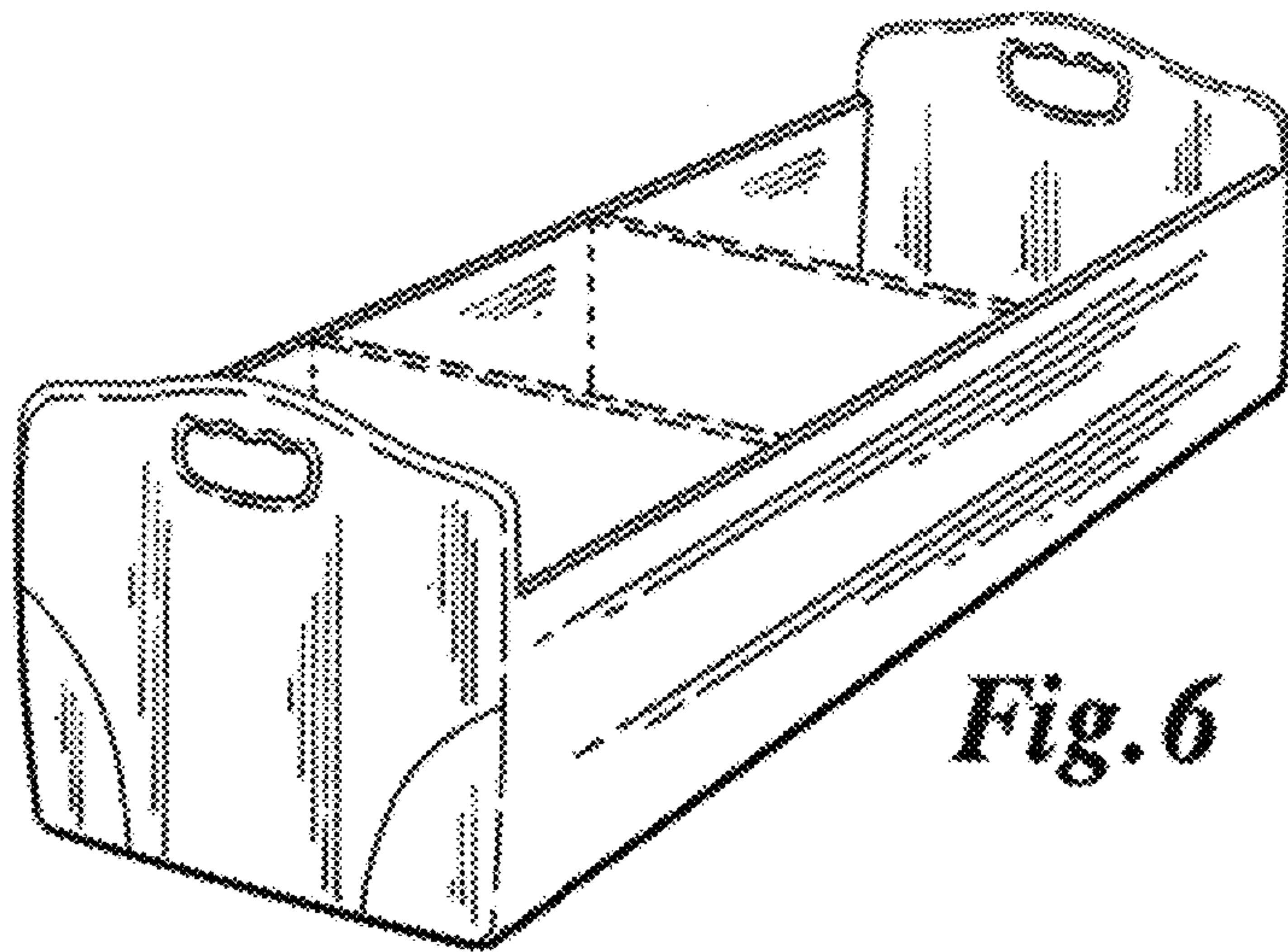


*Fig. 3*

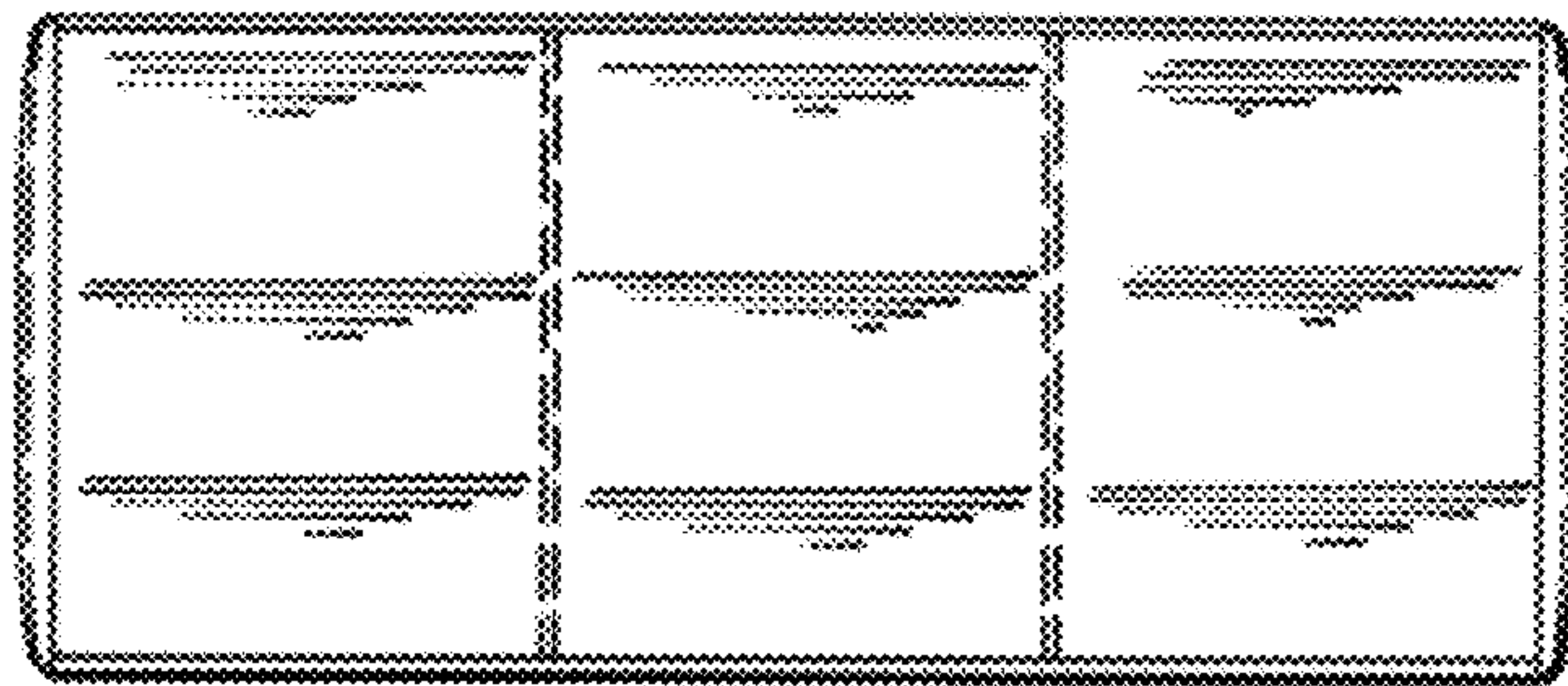


*Fig. 2*

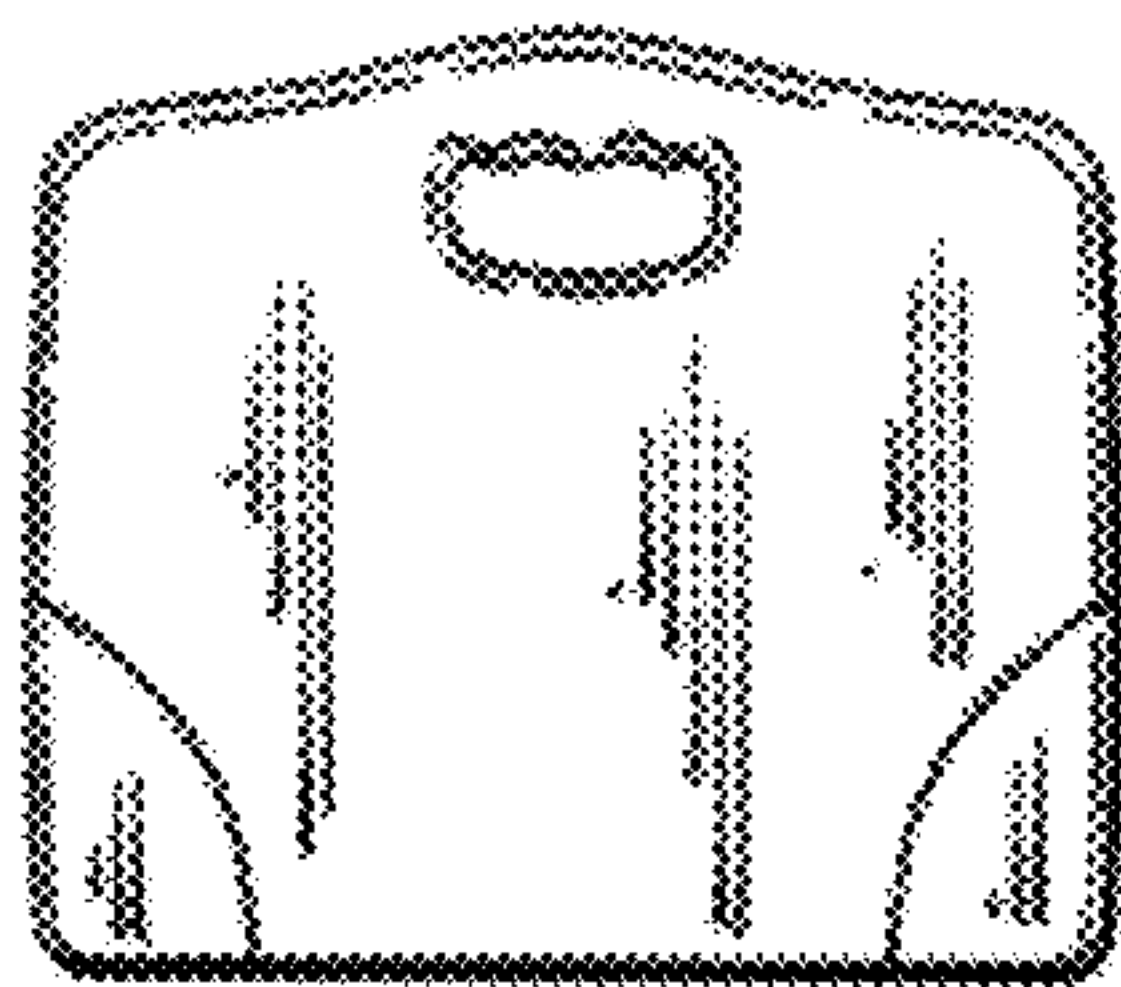




*Fig. 6*



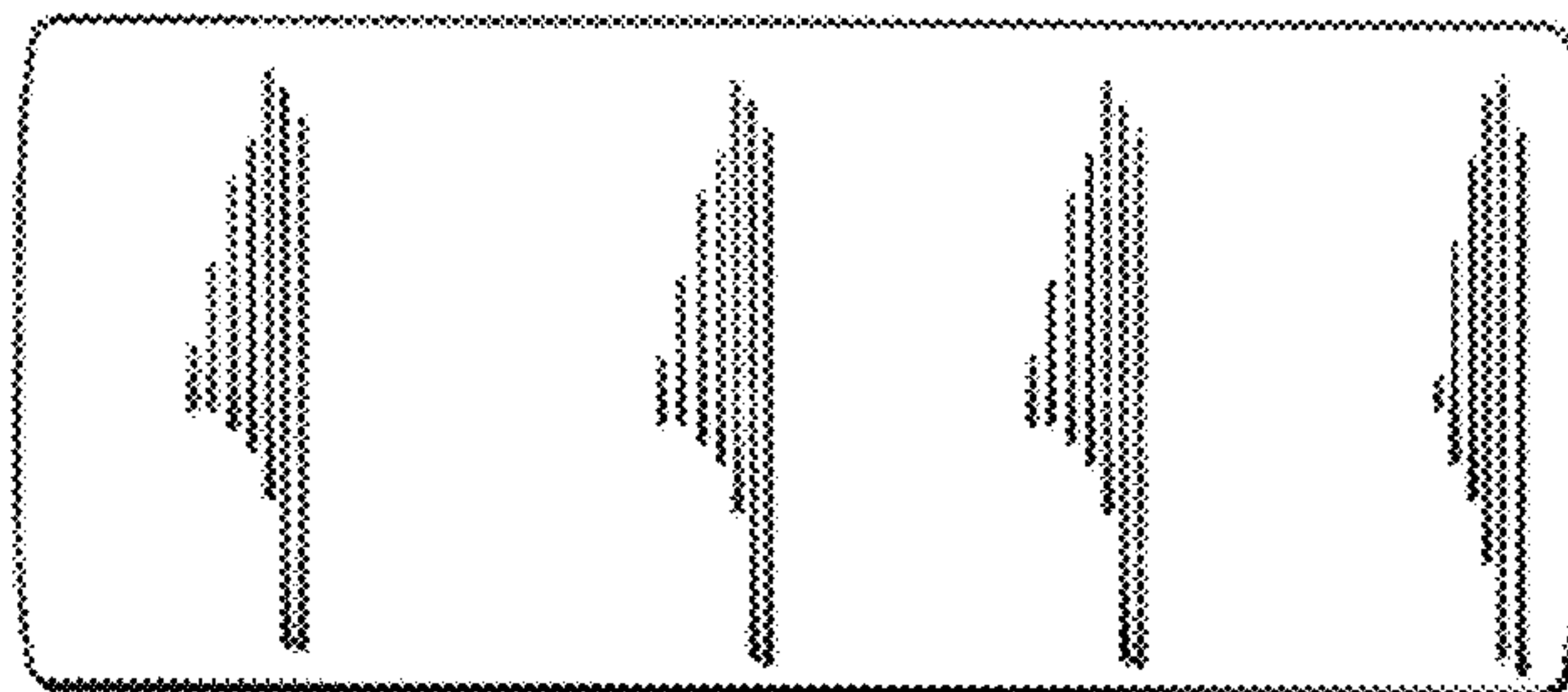
*Fig. 9*



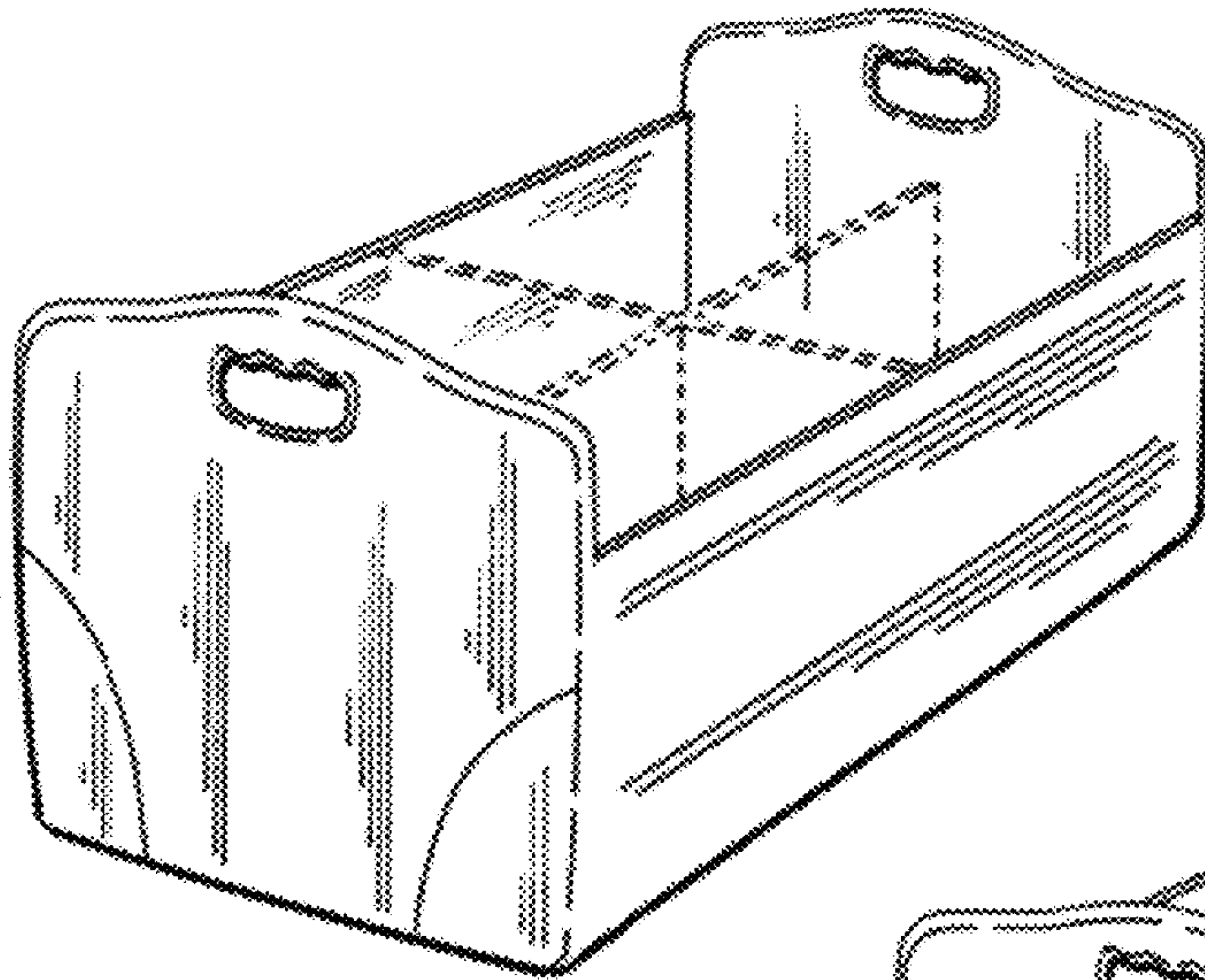
*Fig. 8*



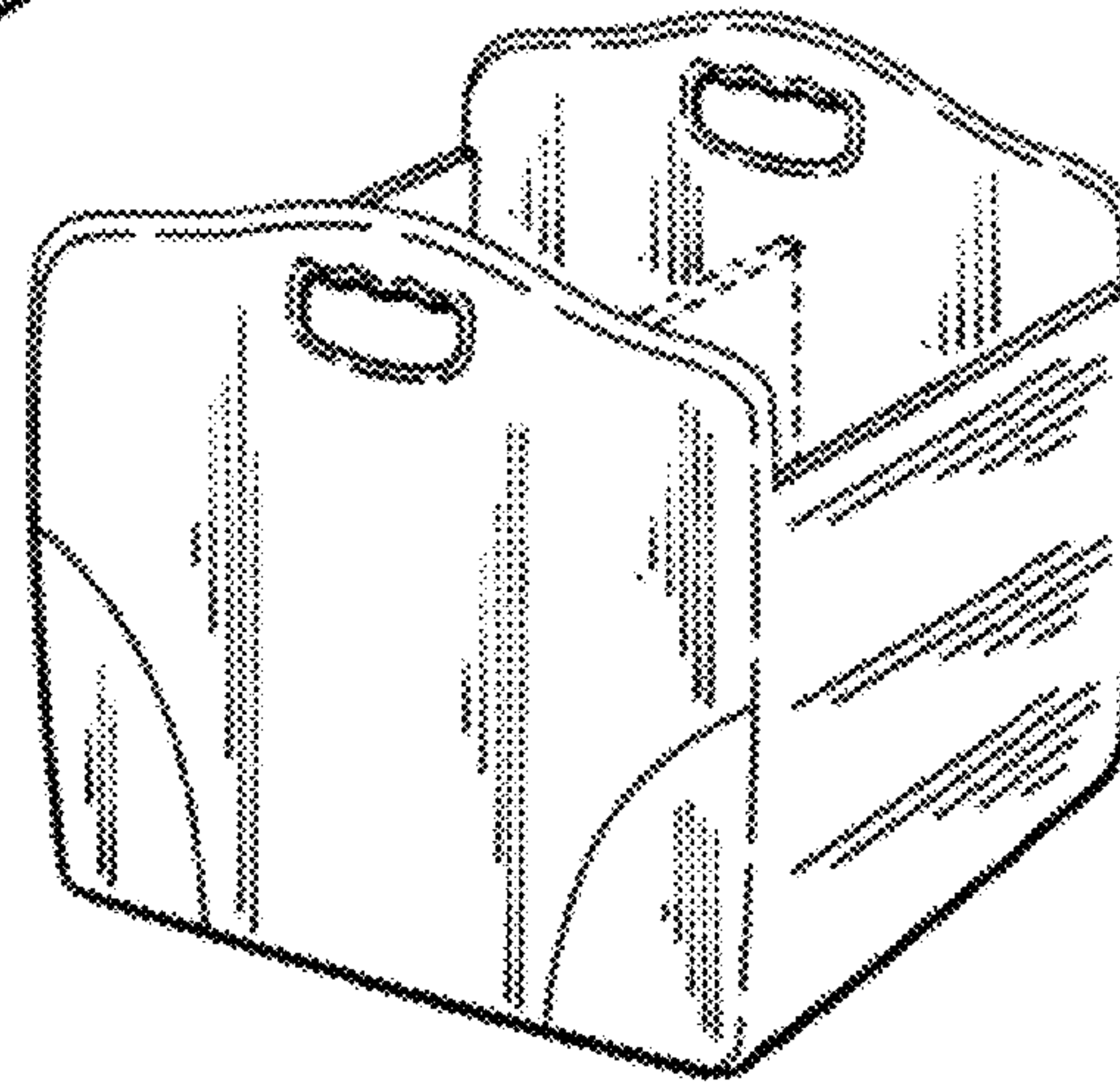
*Fig. 7*



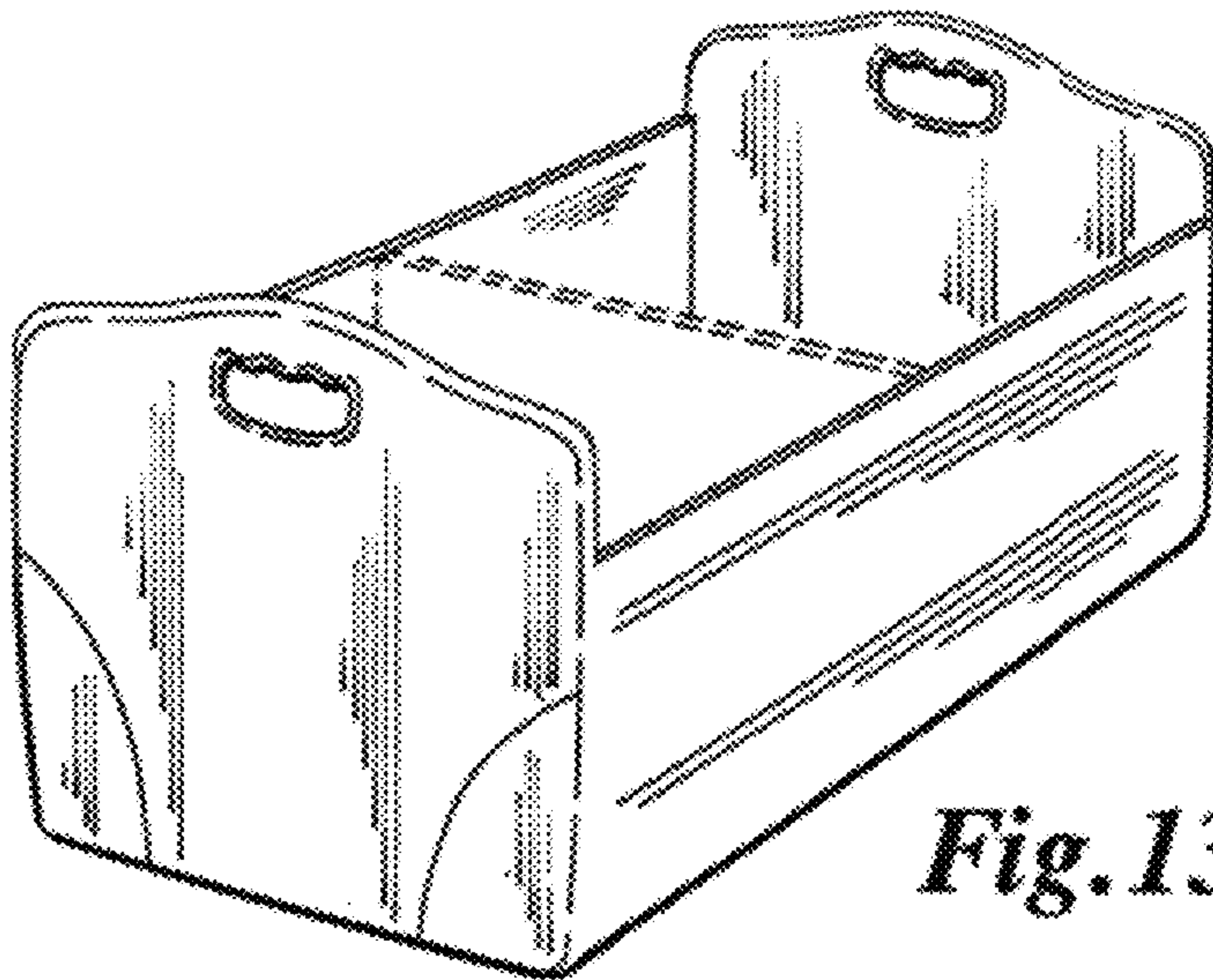
*Fig. 10*



*Fig. 11*



*Fig. 12*



*Fig. 13*