



US00D663255S

(12) **United States Design Patent**
Pasternak

(10) **Patent No.:** **US D663,255 S**
(45) **Date of Patent:** **** Jul. 10, 2012**

- (54) **RIGID BODY AIRSHIP**
- (75) Inventor: **Igor Pasternak**, Montebello, CA (US)
- (73) Assignee: **Worldwide Aeros Corporation**,
Montebello, CA (US)
- (**) Term: **14 Years**
- (21) Appl. No.: **29/374,358**
- (22) Filed: **Aug. 2, 2011**
- (51) **LOC (9) Cl.** **12-07**
- (52) **U.S. Cl.** **D12/319; D12/323**
- (58) **Field of Classification Search** D12/327,
D12/326, 328, 329, 330, 319, 343, 324, 323;
244/96, 29, 26, 25, 17.17, 116, 115; D23/377;
D21/827, 583, 558, 453, 442, 440
See application file for complete search history.

(56) **References Cited**

U.S. PATENT DOCUMENTS

1,957,149	A *	5/1934	Ochmichen	244/26
2,081,381	A *	5/1937	Oehmichen	244/17.17
D217,076	S *	3/1970	Weber	D12/324
4,272,042	A *	6/1981	Slater	244/115
D280,194	S *	8/1985	Bothe	D12/323

D288,216	S *	2/1987	Jensen	D21/440
D424,508	S *	5/2000	Hankinson et al.	D12/323
6,880,783	B2 *	4/2005	Munk	244/25
D583,294	S *	12/2008	Balaskovic	D12/319
D630,155	S *	1/2011	Buckley	D12/323
7,866,601	B2 *	1/2011	Balaskovic	244/96
7,891,603	B2 *	2/2011	Voorhees	244/29
8,070,096	B2 *	12/2011	Wood et al.	244/116
2002/0003189	A1 *	1/2002	Kuenkler	244/26

* cited by examiner

Primary Examiner — Austin Murphy

(74) *Attorney, Agent, or Firm* — Cislo & Thomas, LLP

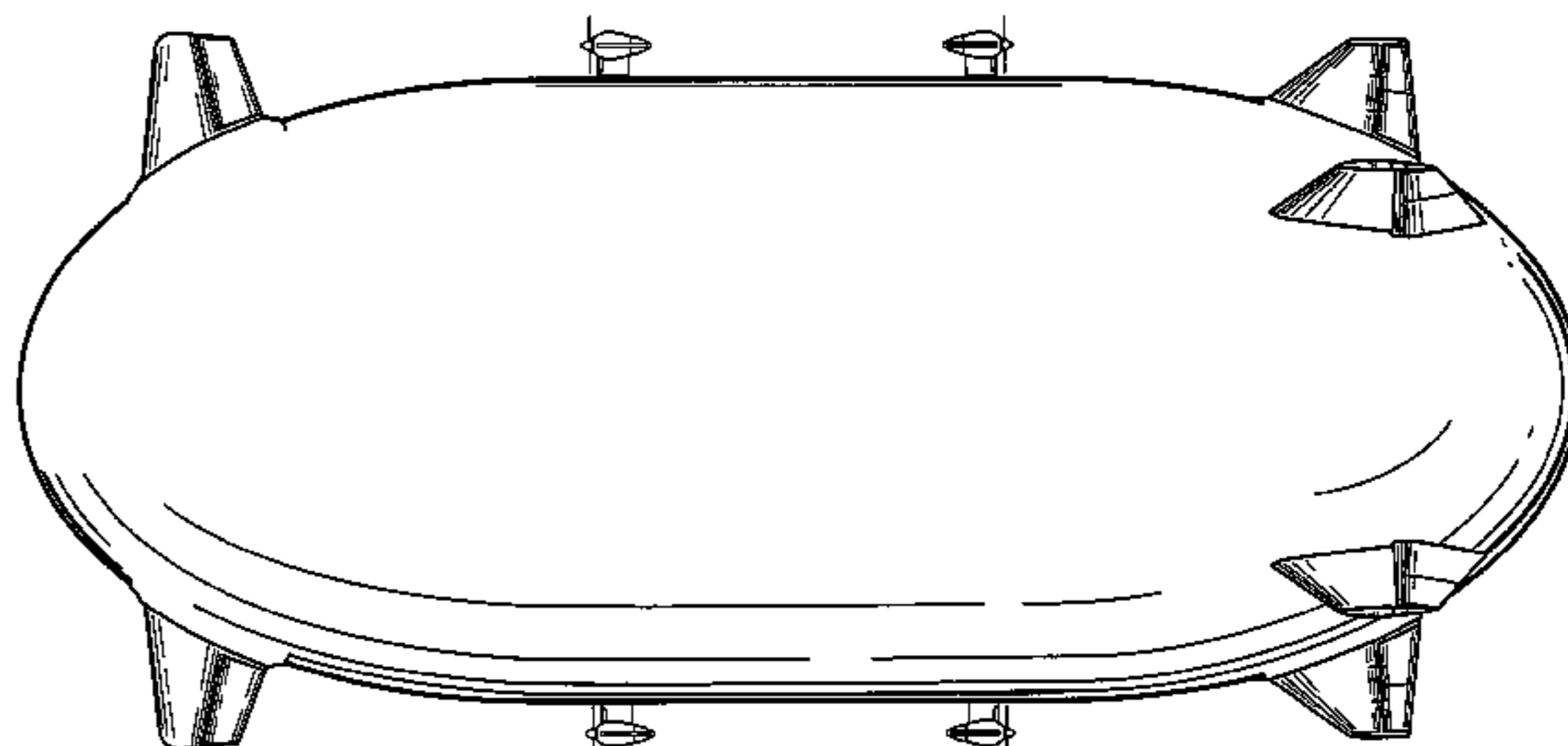
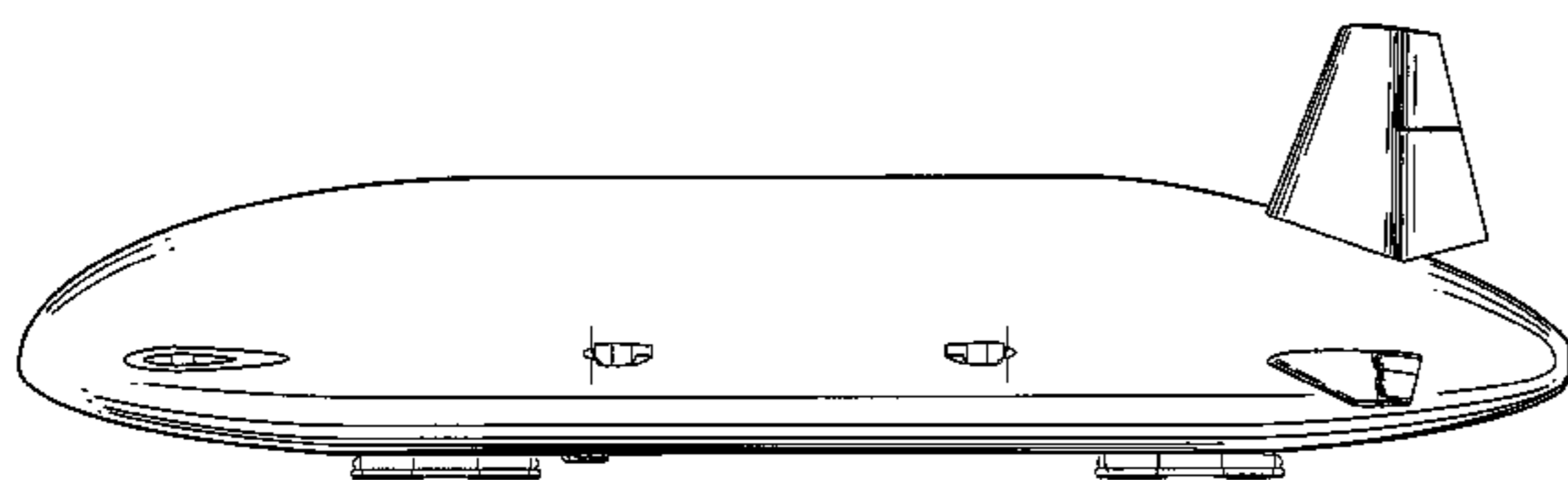
(57) **CLAIM**

The ornamental design for a rigid body airship, as shown herein.

DESCRIPTION

FIG. 1 is a left perspective view of an airship showing the design of the present invention;
 FIG. 2 is a right side perspective view of the airship of FIG. 1;
 FIG. 3 is a front perspective view of airship of FIG. 1;
 FIG. 4 is a rear perspective view of airship of FIG. 1;
 FIG. 5 is a top perspective view of the airship of FIG. 1; and,
 FIG. 6 is a top perspective view of the airship of FIG. 1.

1 Claim, 6 Drawing Sheets



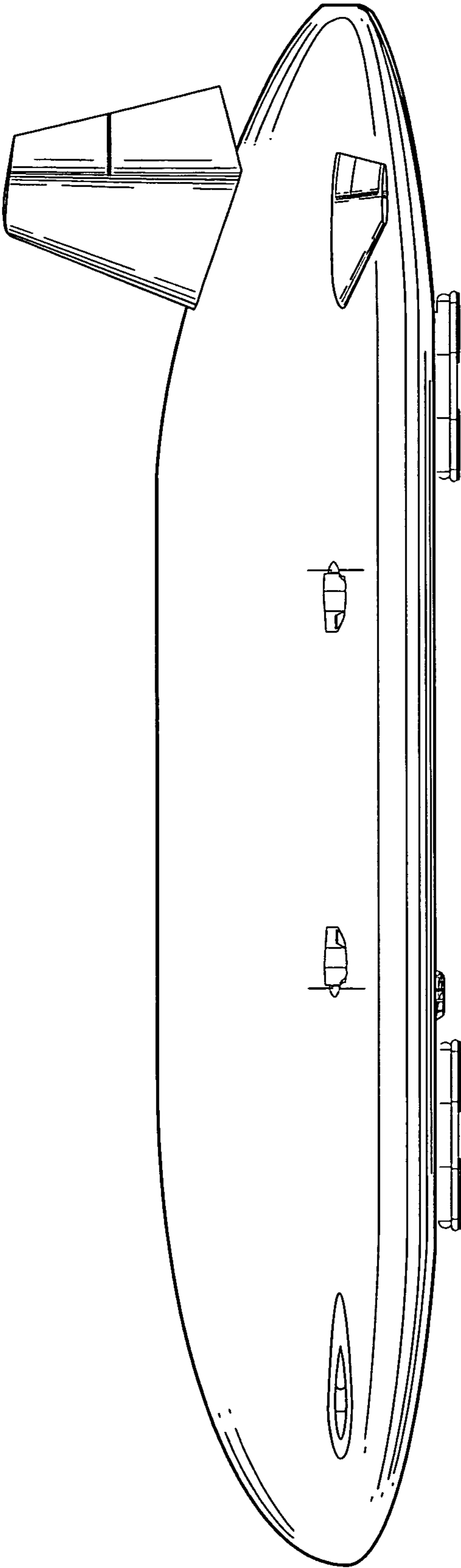


FIG. 1

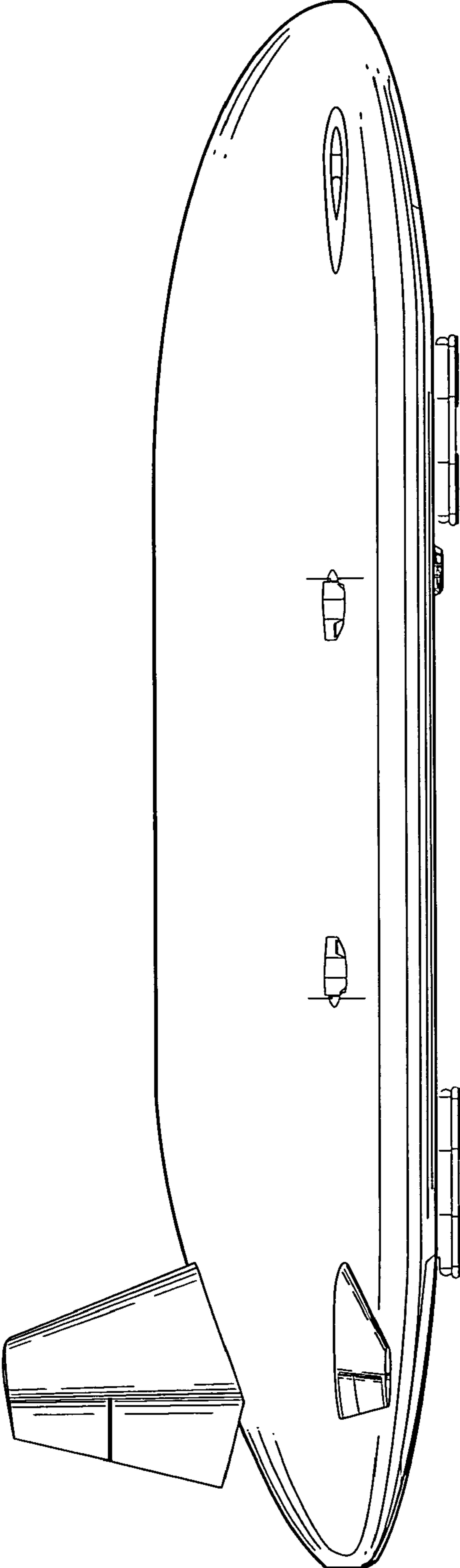


FIG. 2

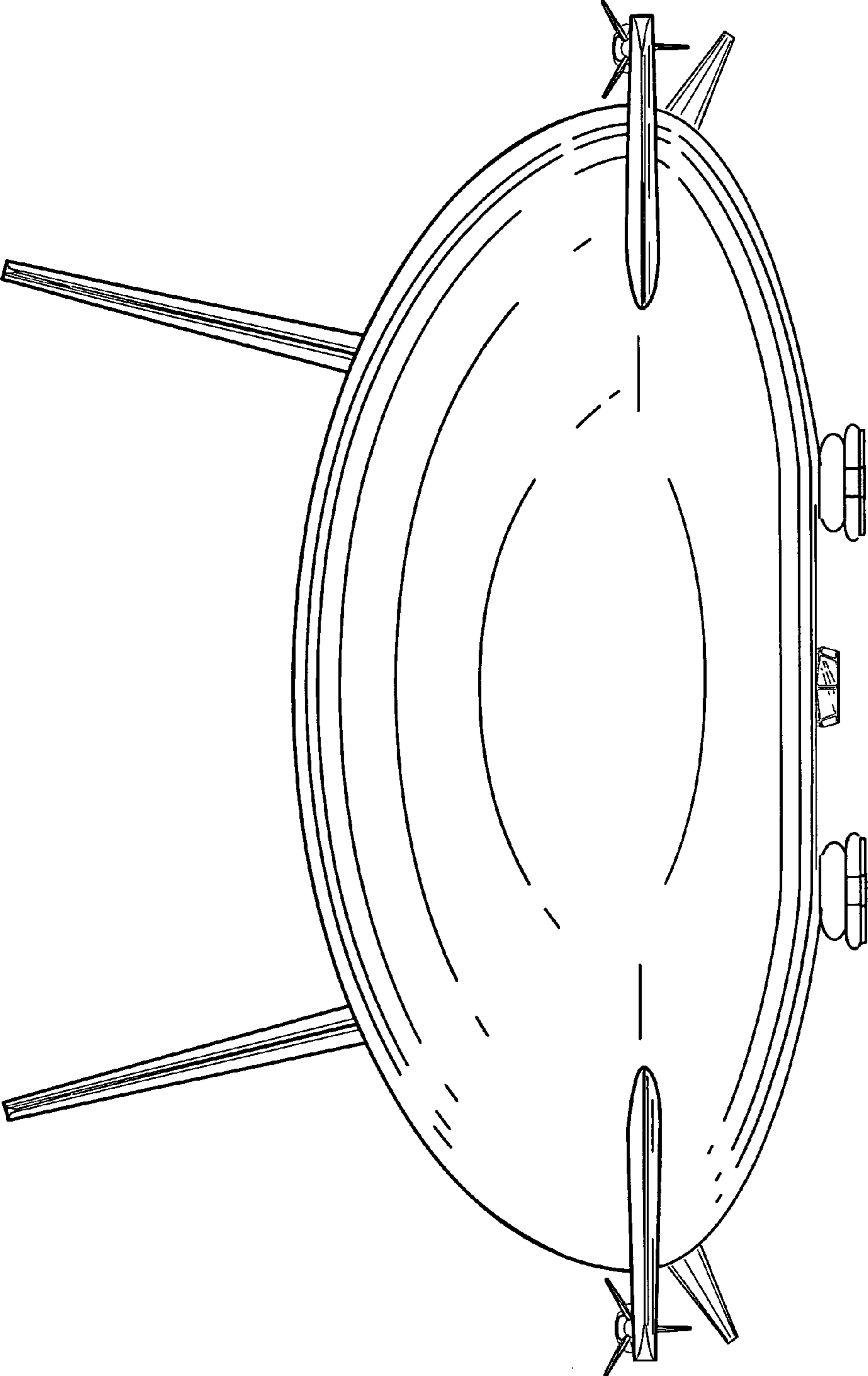


FIG. 3

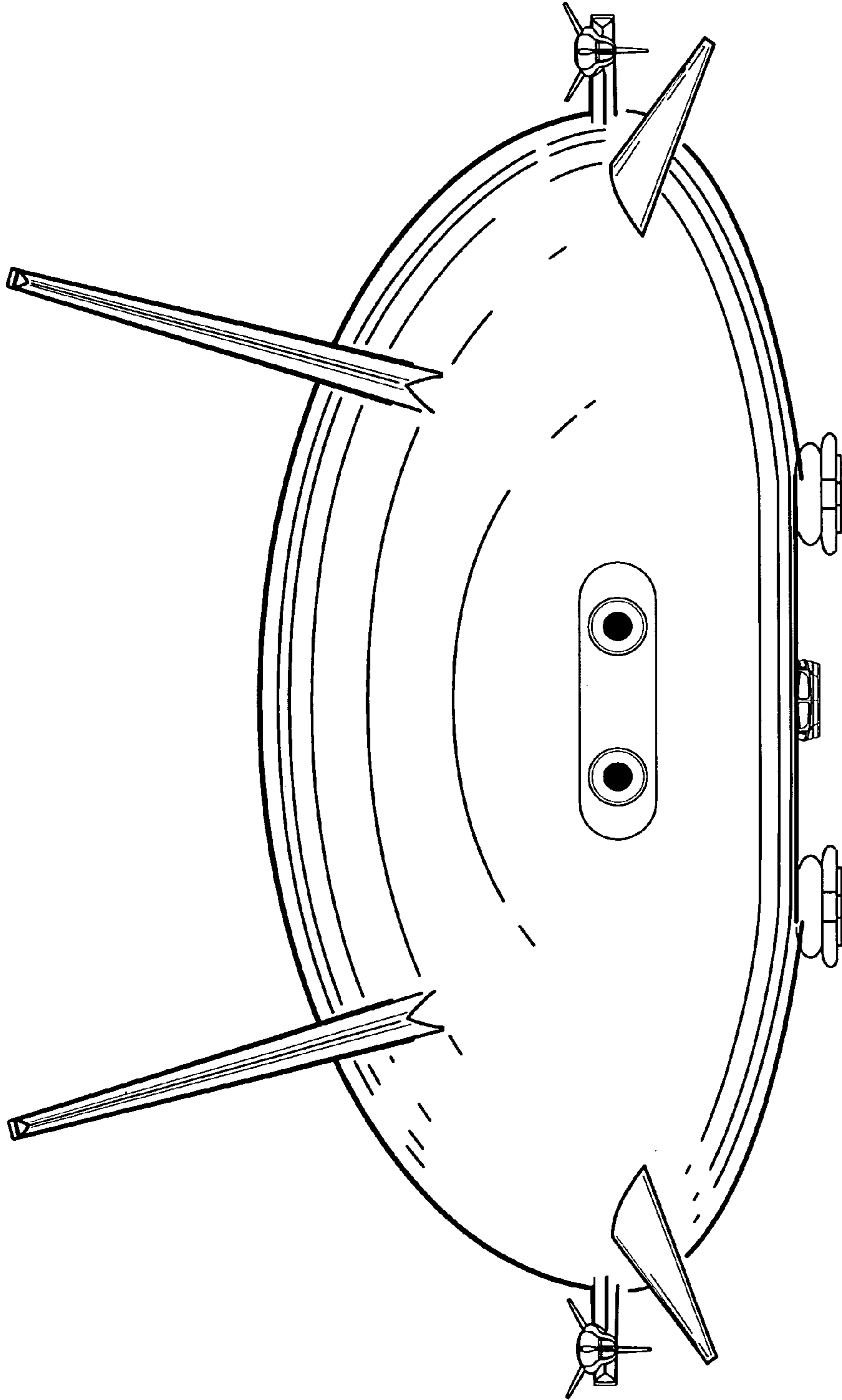


FIG.4

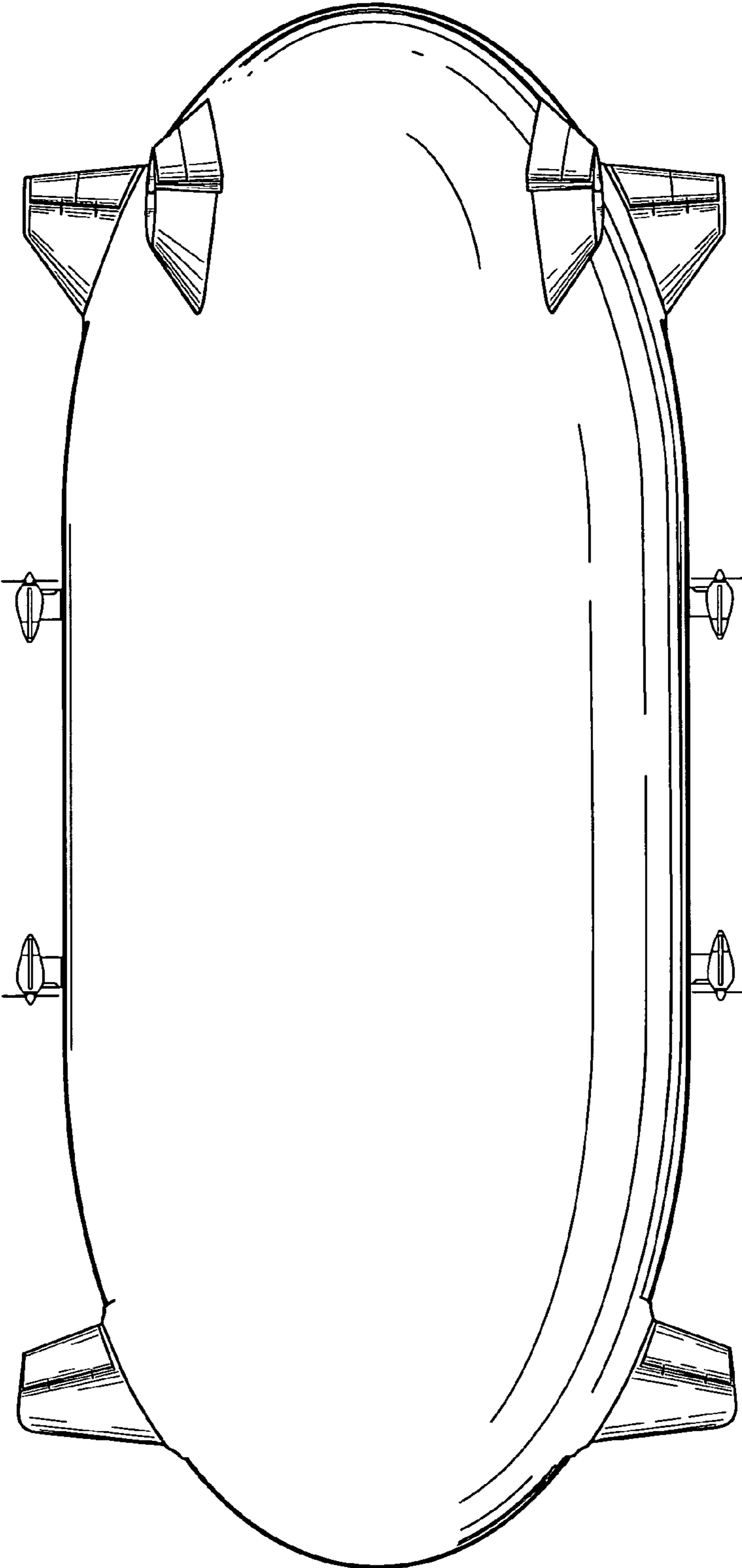


FIG. 5

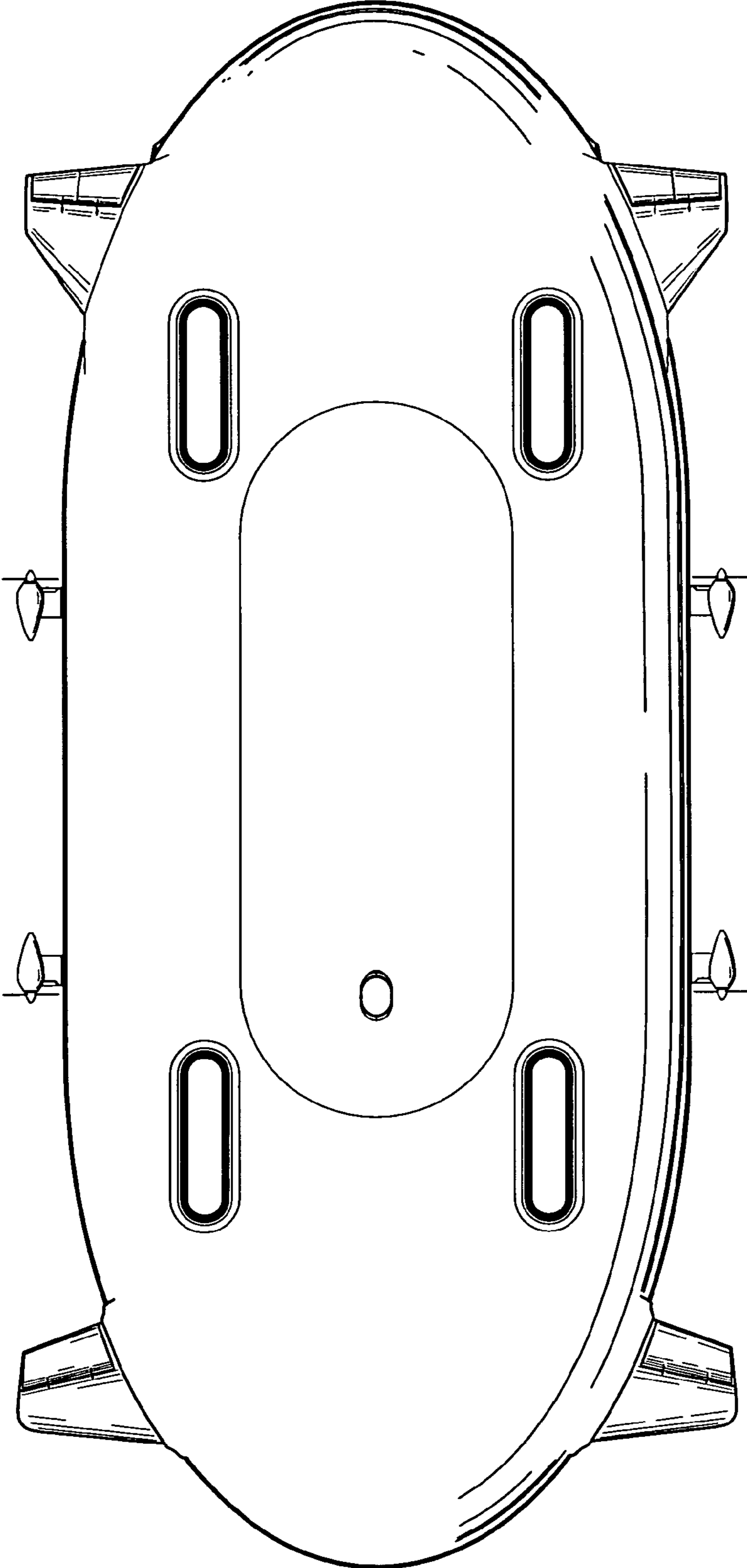


FIG. 6