

US00D663253S

(12) **United States Design Patent**  
**Bondesson**

(10) **Patent No.:** **US D663,253 S**  
(45) **Date of Patent:** **\*\* Jul. 10, 2012**

(54) **CONTROL LEVER FOR A MARINE VESSEL**

(75) Inventor: **Anders Bondesson**, Billdal (SE)

(73) Assignee: **AB Volvo Penta**, Gothenburg (SE)

(\*\*) Term: **14 Years**

(21) Appl. No.: **29/367,010**

(22) Filed: **Aug. 2, 2010**

(30) **Foreign Application Priority Data**

Feb. 5, 2010 (EM) ..... 001193924-0001

(51) **LOC (9) Cl.** ..... **12-06**

(52) **U.S. Cl.** ..... **D12/317**

(58) **Field of Classification Search** ..... D12/300,  
D12/301, 303-315, 317, 318, 174, 178-180;  
D13/162, 134, 168, 169, 173; D10/49; 74/469,  
74/473.1-473.12, 473.19, 473.2, 480 B, 491;  
440/84-87; 477/98, 111, 112, 113

See application file for complete search history.

(56) **References Cited**

**U.S. PATENT DOCUMENTS**

4,119,186 A \* 10/1978 Choudhury et al. .... 477/113  
4,801,282 A \* 1/1989 Ogawa et al. .... 440/84  
5,967,867 A \* 10/1999 Rinzaki et al. .... 440/87

6,280,269 B1 \* 8/2001 Gaynor ..... 440/84  
D502,148 S \* 2/2005 Iekura ..... D13/168  
D554,596 S \* 11/2007 Iekura ..... D13/168  
D573,936 S \* 7/2008 Jin ..... D12/317  
7,452,254 B2 \* 11/2008 Watanabe et al. .... 440/84  
D581,855 S \* 12/2008 Arol ..... D12/317  
D592,124 S \* 5/2009 Wischnewski ..... D12/317  
7,805,225 B2 \* 9/2010 Okuyama et al. .... 701/2

\* cited by examiner

*Primary Examiner* — Cynthia M Chin

(74) *Attorney, Agent, or Firm* — Martin Farrell; Michael Pruden

(57) **CLAIM**

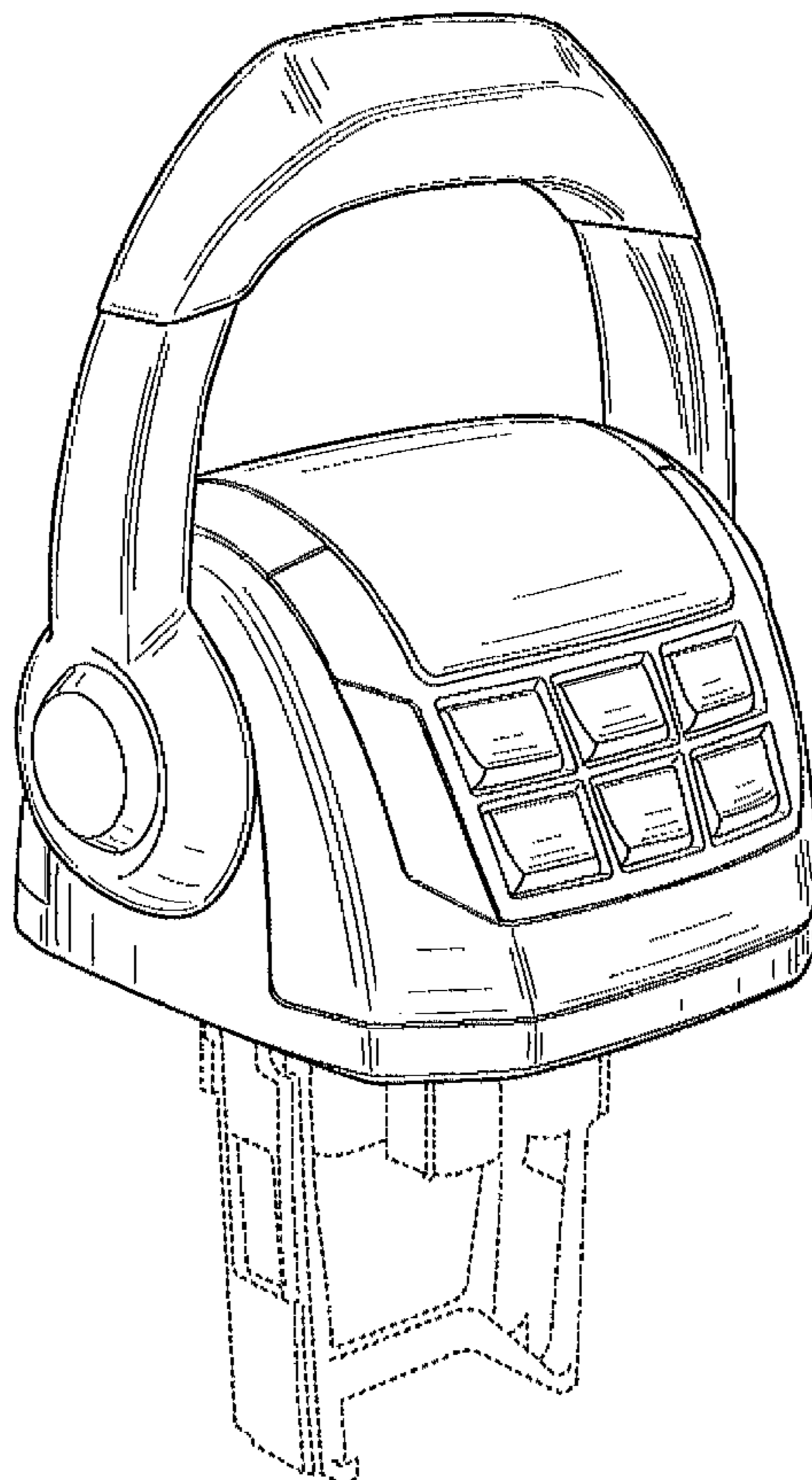
The ornamental design for a control lever for a marine vessel, as shown and described.

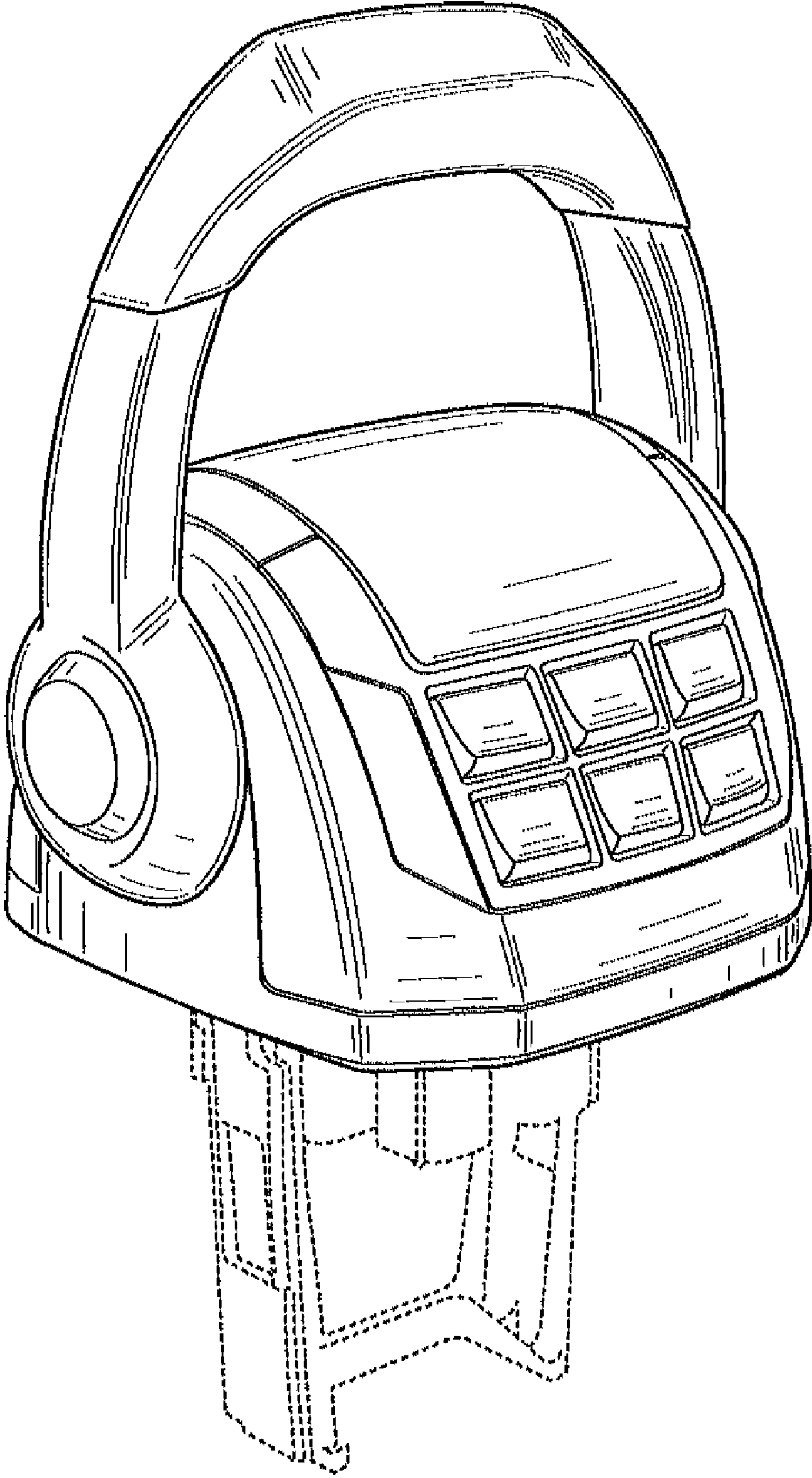
**DESCRIPTION**

FIG. 1 is a perspective view from the front showing the new design;  
FIG. 2 is a side view from the right side thereof;  
FIG. 3 is a side view from the left side thereof;  
FIG. 4 is a front view thereof;  
FIG. 5 is a rear view thereof;  
FIG. 6 is a top view thereof; and,  
FIG. 7 is a bottom view thereof.

In the drawings, the broken lines depict environmental subject matter only and form no part of the claimed design.

**1 Claim, 7 Drawing Sheets**





**FIG. 1**

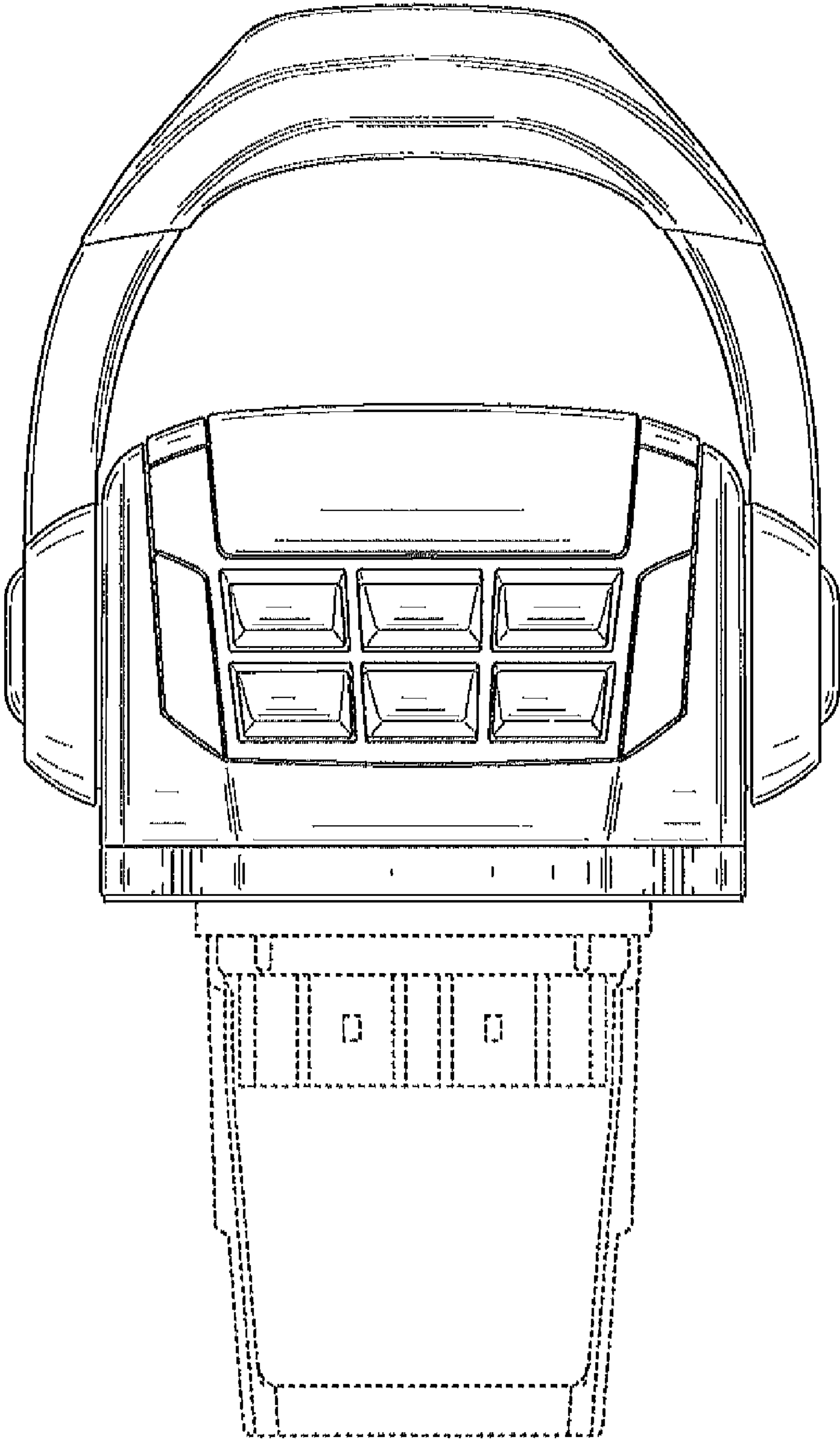
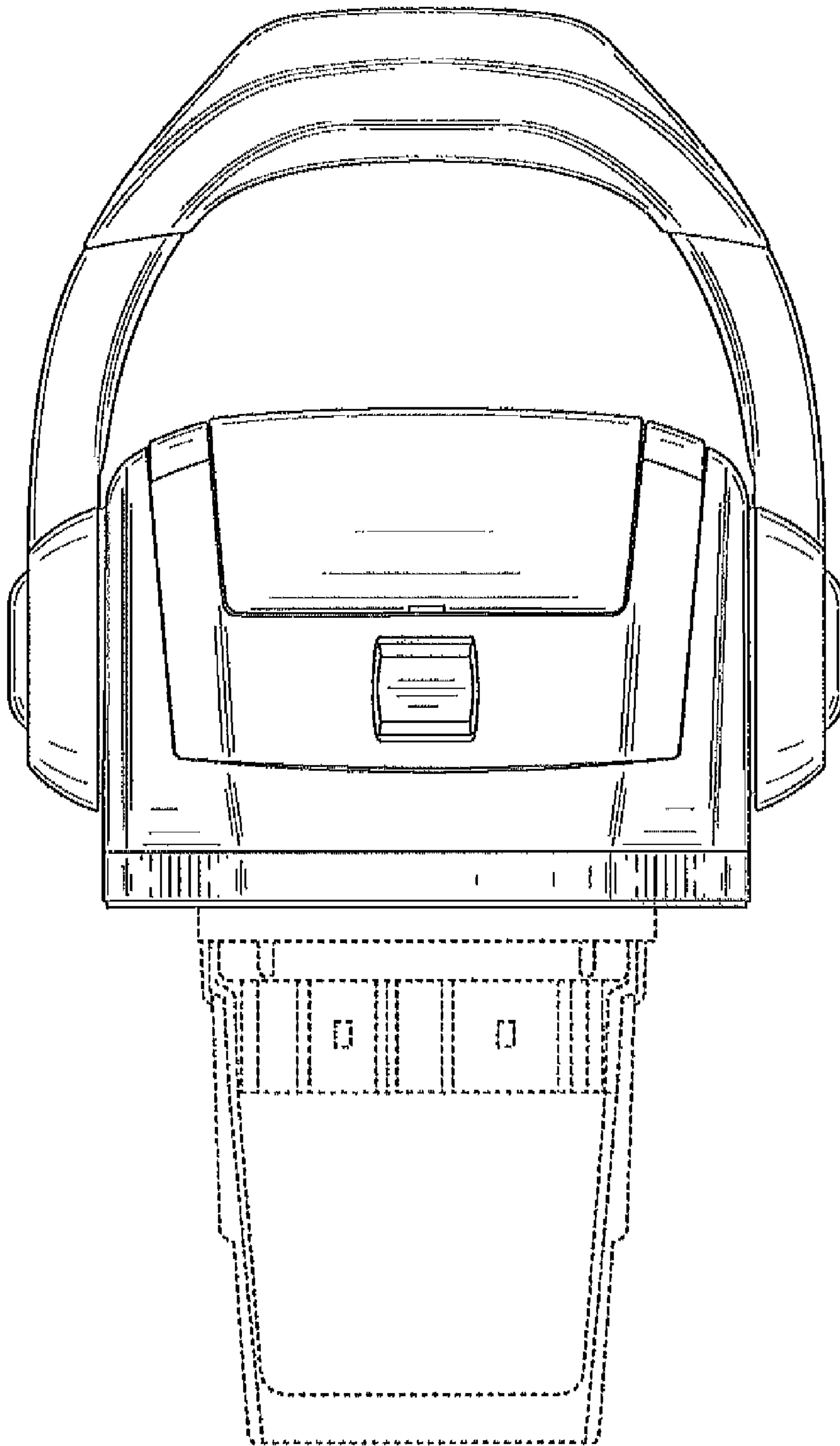
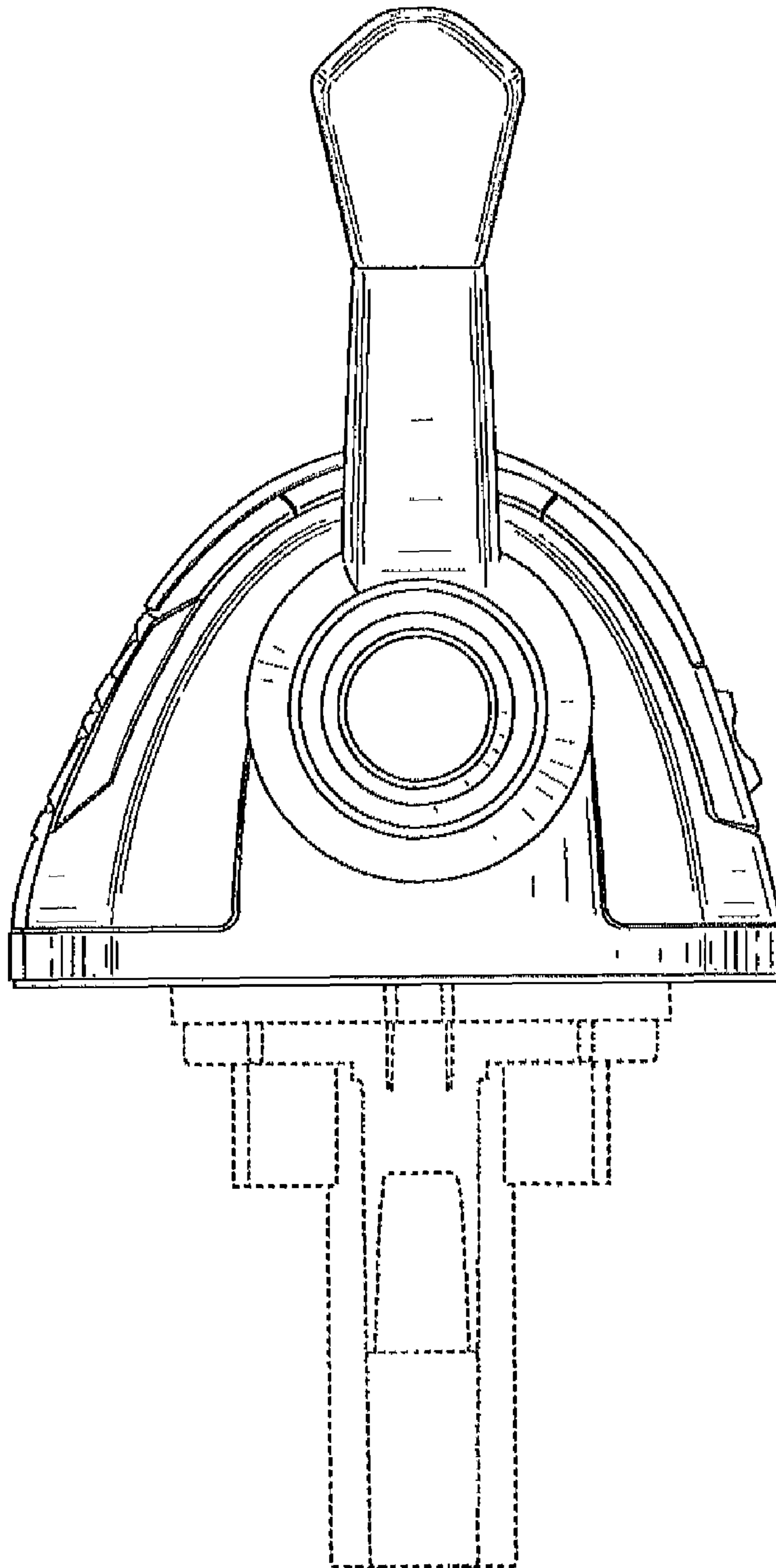


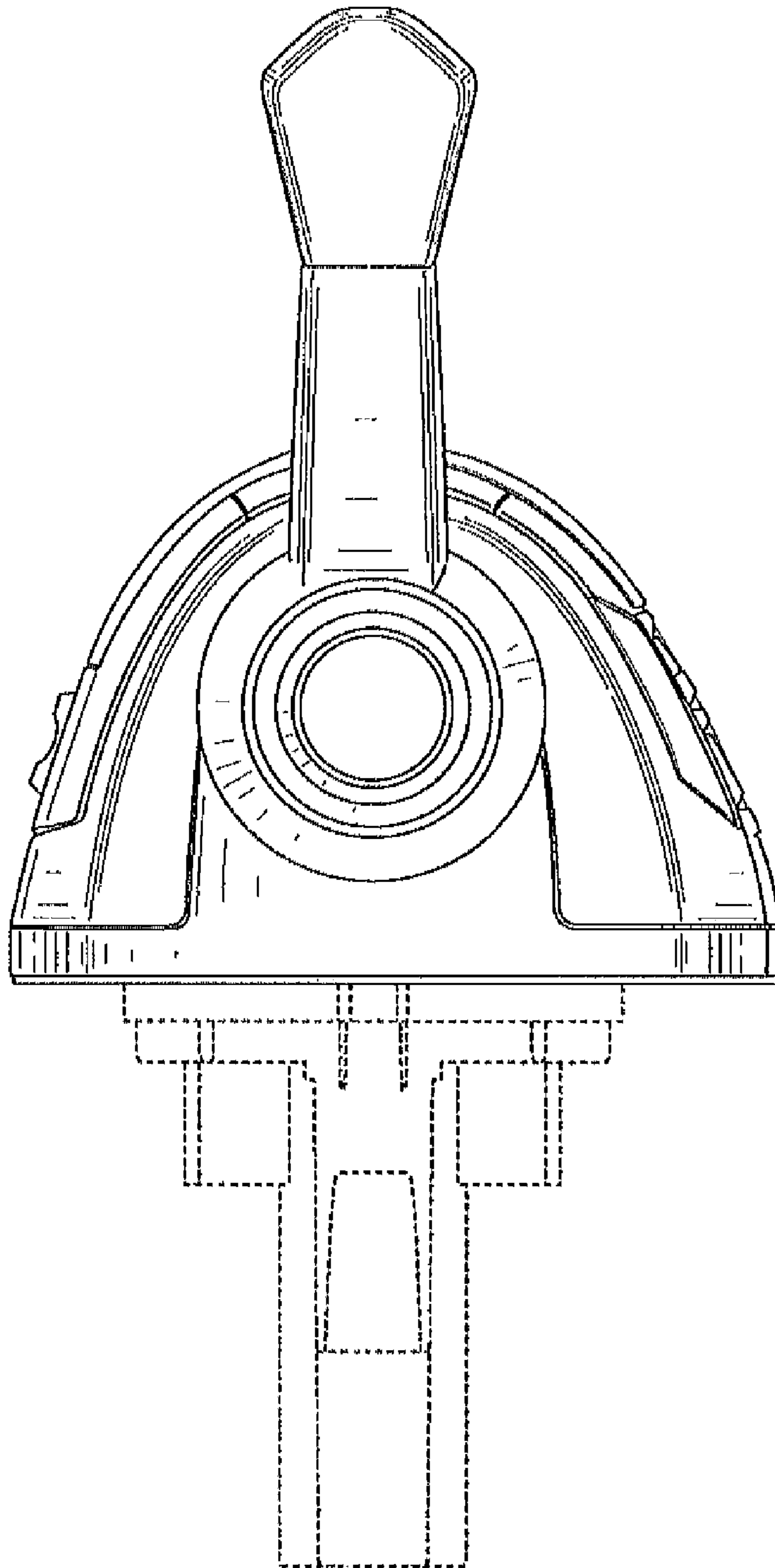
FIG. 2



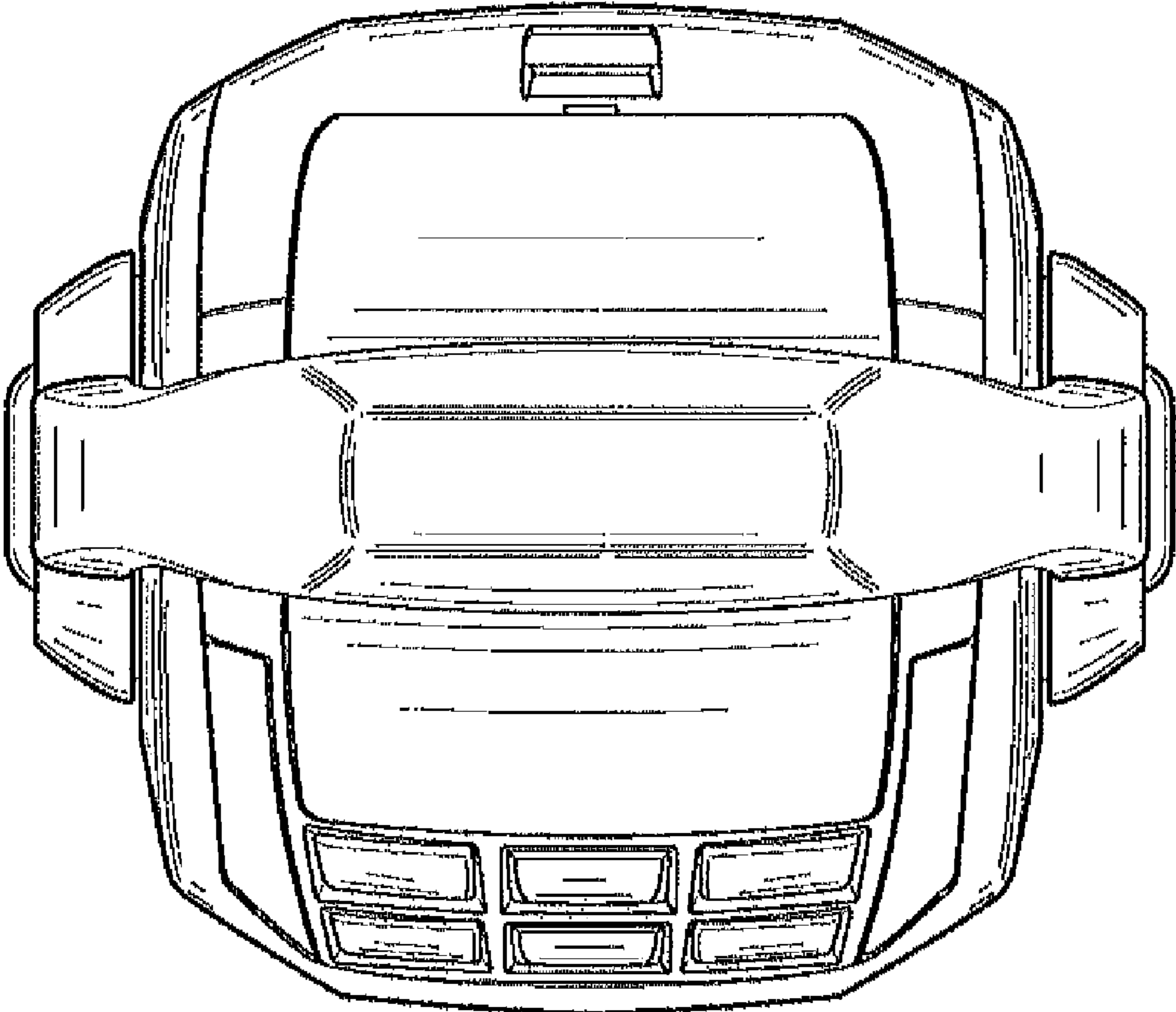
**FIG. 3**



**FIG. 4**



**FIG. 5**



**FIG. 6**

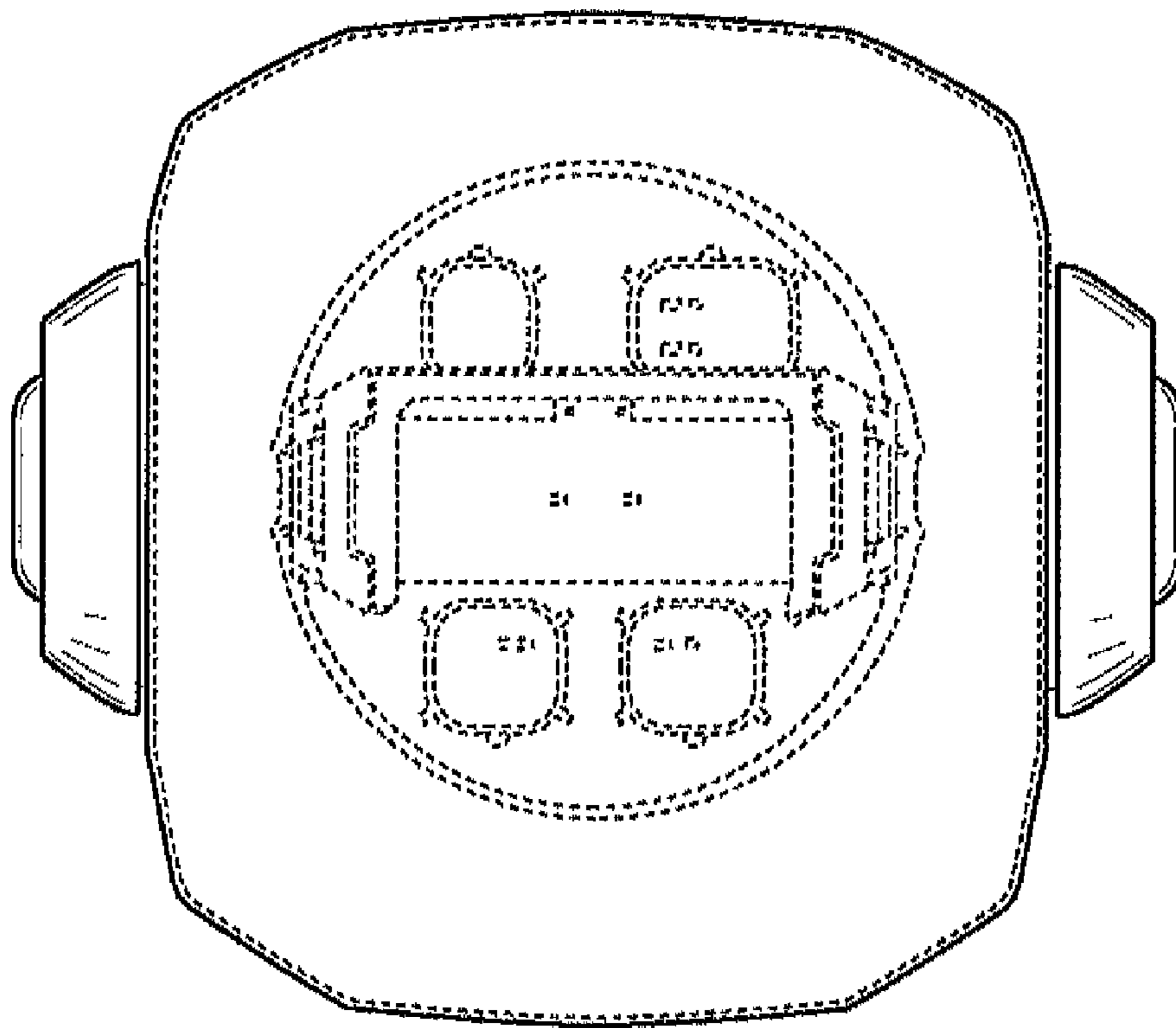


FIG. 7