

US00D663249S

(12) **United States Design Patent**  
**Zhang**

(10) **Patent No.:** **US D663,249 S**  
(45) **Date of Patent:** **\*\* Jul. 10, 2012**

(54) **WHEEL OR WHEEL COVER**

(75) Inventor: **Fan Zhang**, Stuttgart (DE)

(73) Assignee: **Daimler AG**, Stuttgart (DE)

(\*\*) Term: **14 Years**

(21) Appl. No.: **29/371,252**

(22) Filed: **Dec. 14, 2010**

(30) **Foreign Application Priority Data**

Jun. 15, 2010 (EM) ..... 001719188-0004

(51) **LOC (9) Cl.** ..... **12-16**

(52) **U.S. Cl.** ..... **D12/211**

(58) **Field of Classification Search** ..... D12/204-213;  
301/37.101, 64.101, 65, 64.201

See application file for complete search history.

(56) **References Cited**

**U.S. PATENT DOCUMENTS**

D392,611 S *	3/1998	Echazabal et al. ....	D12/211
D451,463 S *	12/2001	Murkett et al. ....	D12/209
D456,333 S *	4/2002	Pollmann ....	D12/211
D466,854 S *	12/2002	Kern ....	D12/211
D494,917 S *	8/2004	Pollmann ....	D12/211
D499,371 S *	12/2004	Koch ....	D12/211
D513,727 S *	1/2006	Gallert ....	D12/211

D528,959 S *	9/2006	Sycha ....	D12/209
D535,241 S *	1/2007	Kim ....	D12/211
D566,642 S *	4/2008	Scheu ....	D12/211
D568,800 S *	5/2008	Huet ....	D12/211
D583,739 S *	12/2008	Gallert ....	D12/209
D593,019 S *	5/2009	Tirado ....	D12/209
D617,716 S *	6/2010	Lamm et al. ....	D12/211
D620,870 S *	8/2010	Powell ....	D12/211
D624,862 S *	10/2010	Zhao ....	D12/209
D630,564 S *	1/2011	Baum ....	D12/209
D635,499 S *	4/2011	Nissl ....	D12/211
D643,795 S *	8/2011	Nissl ....	D12/211
D649,499 S *	11/2011	Krisch ....	D12/209

\* cited by examiner

*Primary Examiner* — Stacia Cadmus

(74) *Attorney, Agent, or Firm* — Crowell & Moring LLP

(57) **CLAIM**

The ornamental design for a wheel or wheel cover, as shown and described.

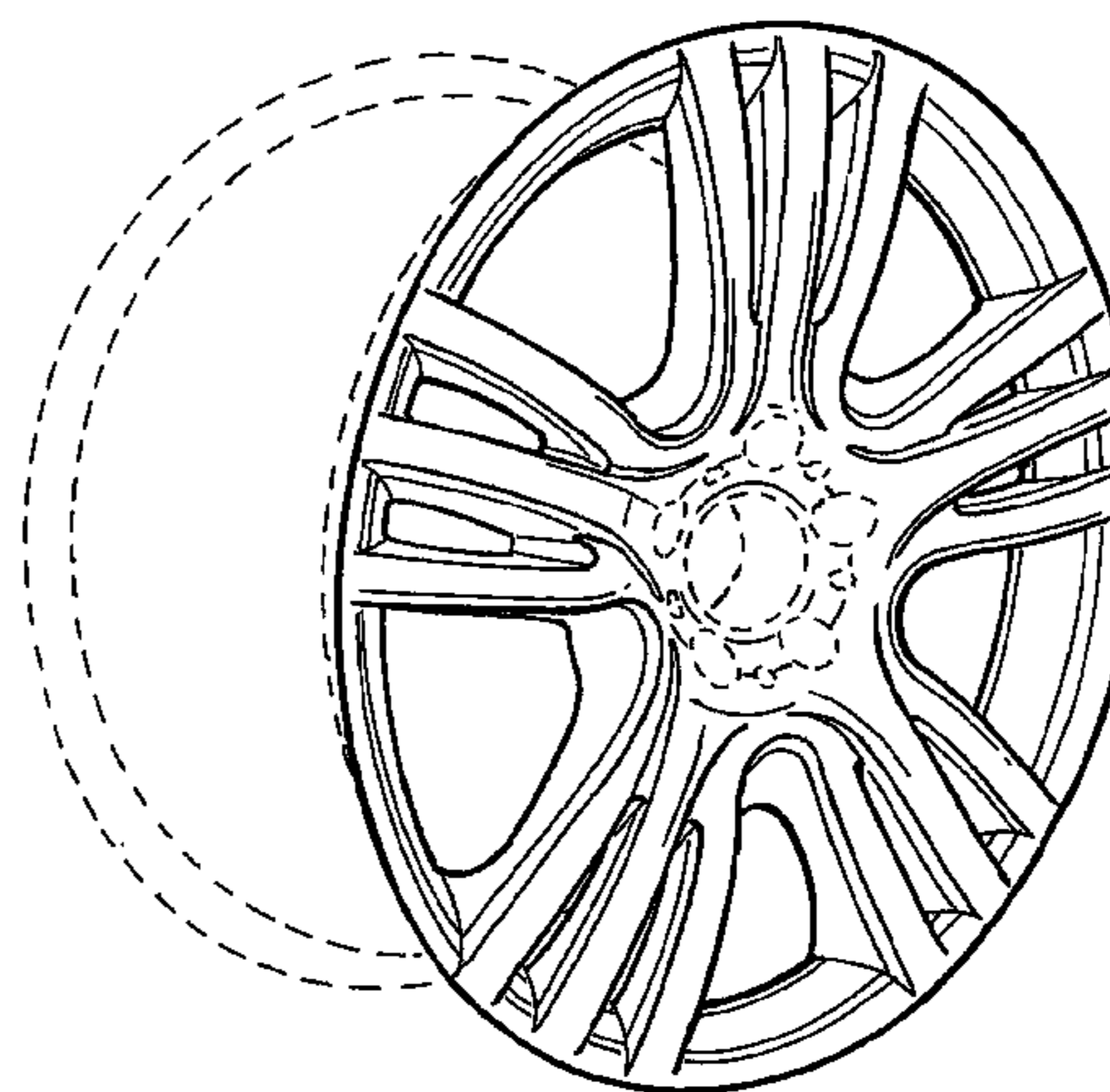
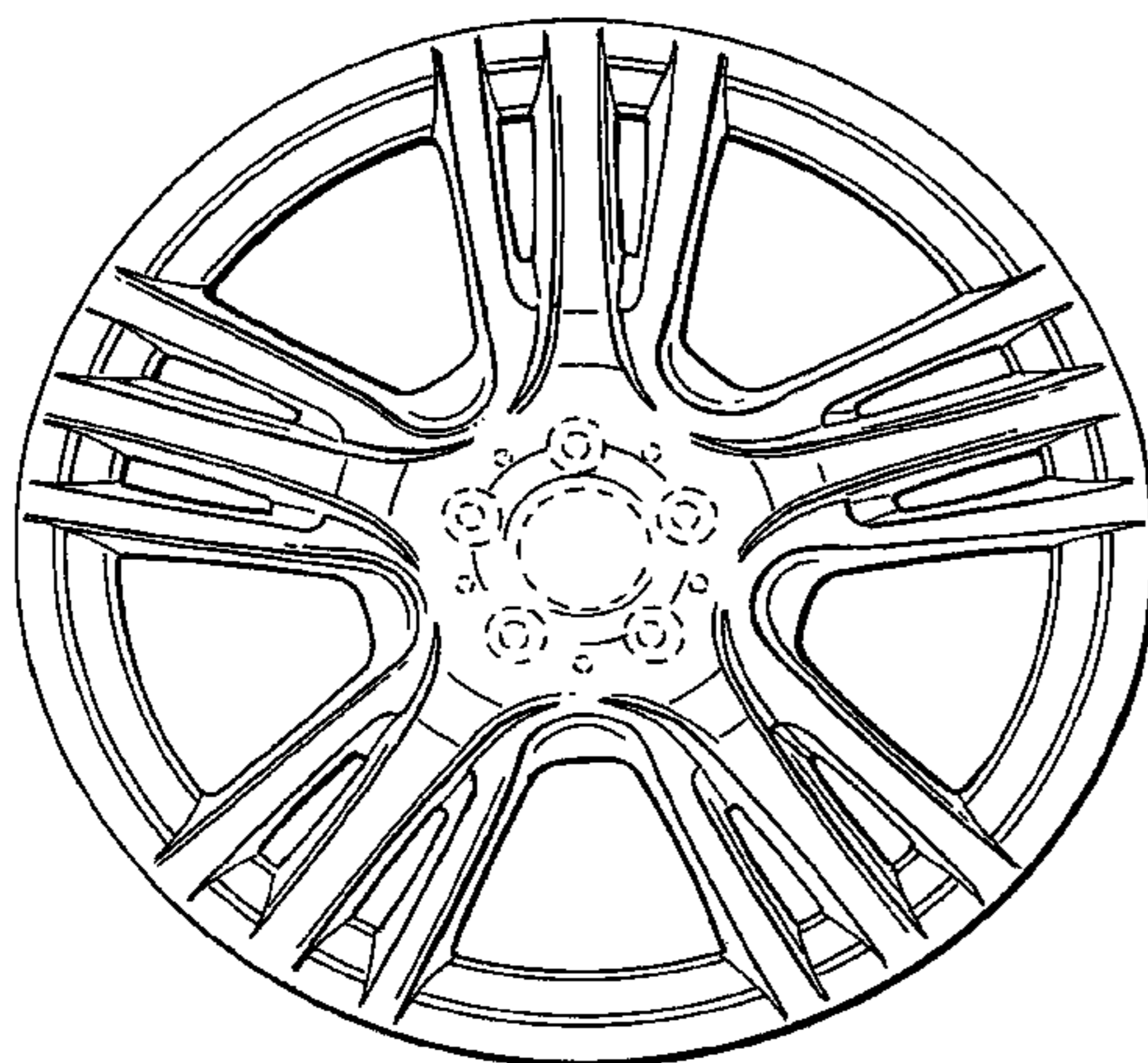
**DESCRIPTION**

FIG. 1 is a front view of a wheel or wheel cover according to my design; and,

FIG. 2 is a perspective view thereof.

The broken line showing of the rear of the wheel, and the bolt holes and the center opening in the central hub area is included for the purpose of illustrating environment and forms no part of the claimed design.

**1 Claim, 1 Drawing Sheet**



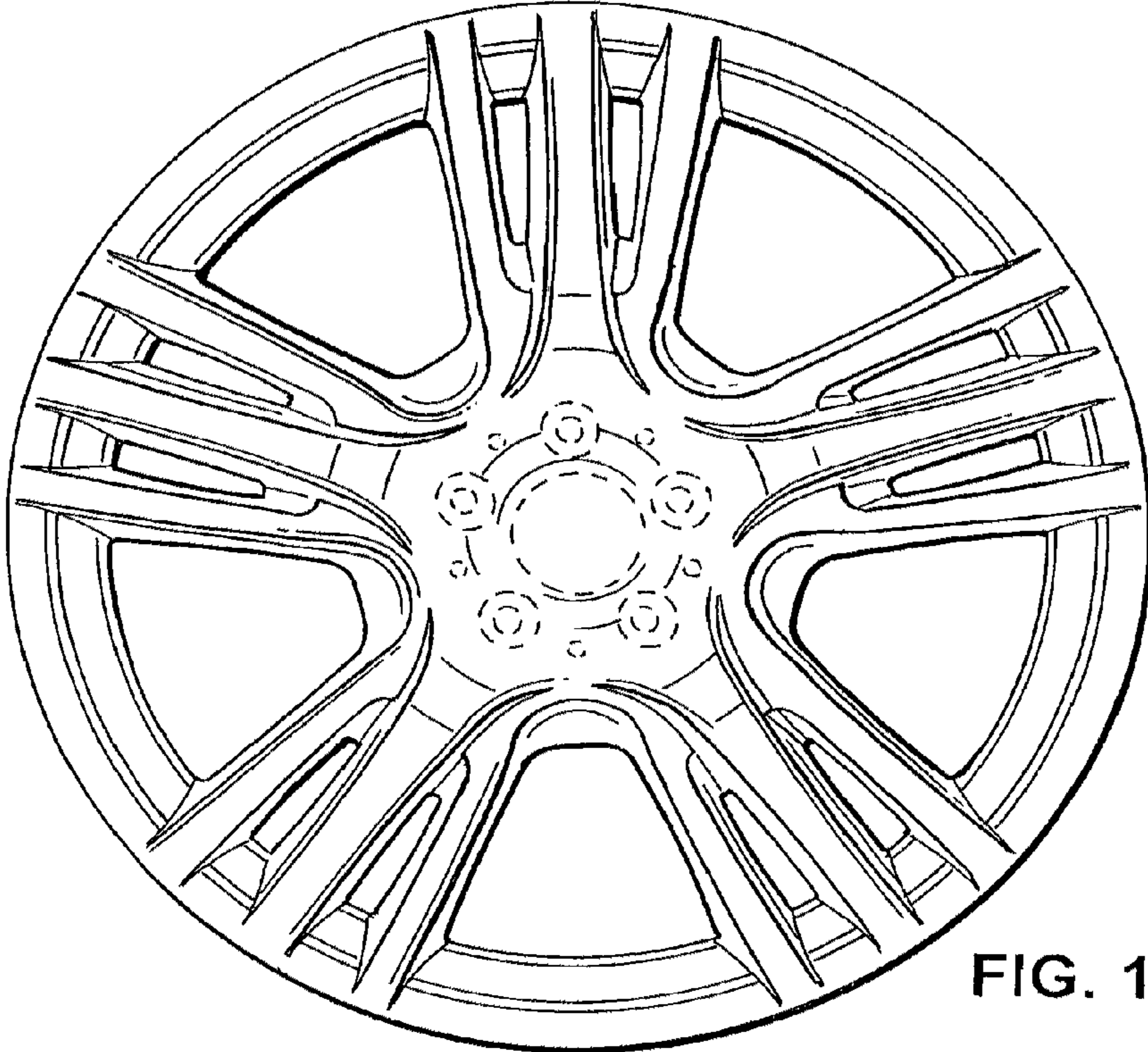


FIG. 1

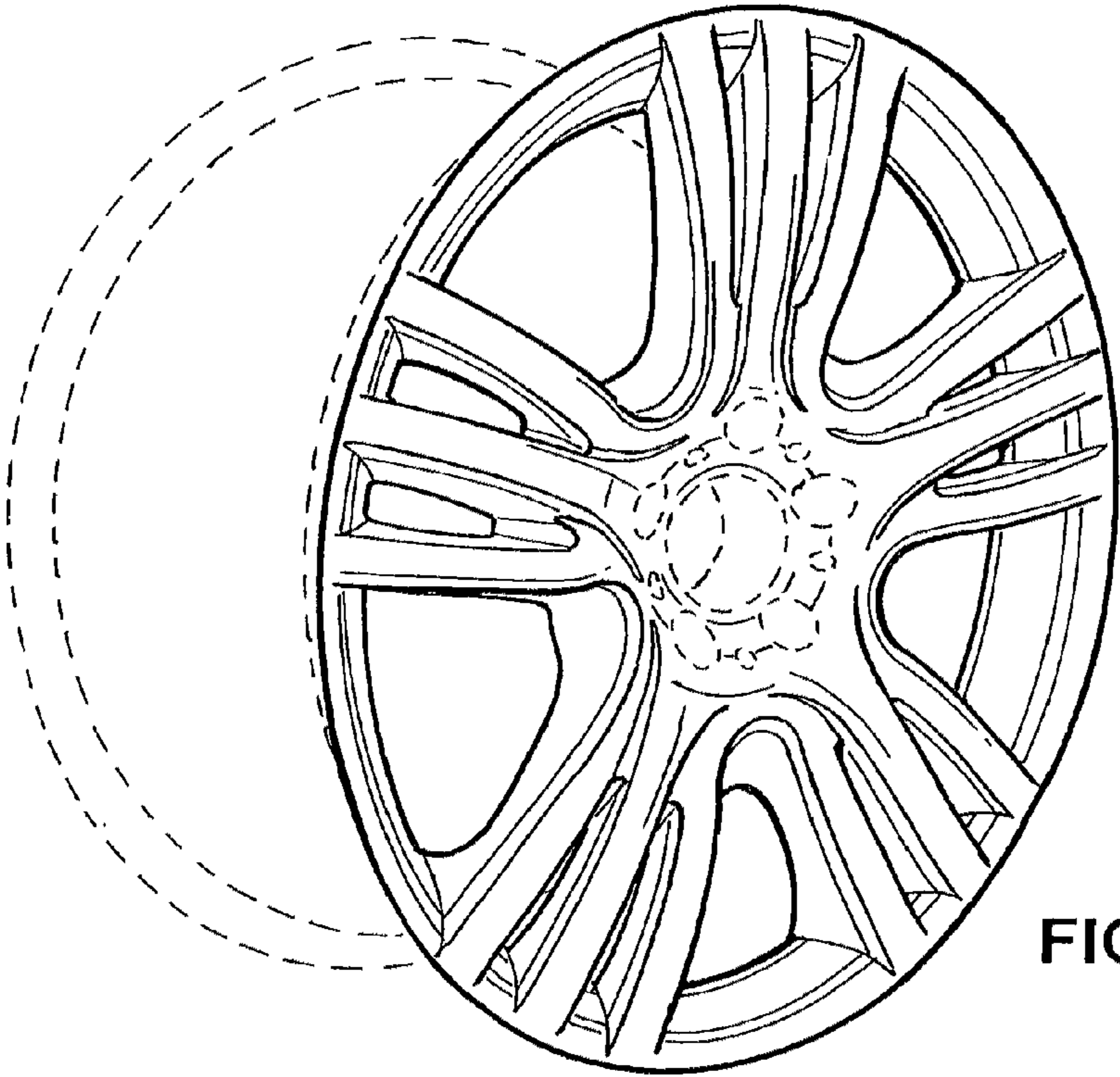


FIG. 2