

US00D663241S

(12) **United States Design Patent**
Runels et al.

(10) **Patent No.:** **US D663,241 S**
(45) **Date of Patent:** **** Jul. 10, 2012**

- (54) **CAP FOR TRAVEL TRAILER**
- (75) Inventors: **Jeffrey David Runels**, Granger, IN (US); **Aram Koltookian**, Elkhart, IN (US)
- (73) Assignee: **Thor Tech, Inc.**, Jackson Center, OH (US)
- (**) Term: **14 Years**
- (21) Appl. No.: **29/379,685**
- (22) Filed: **Nov. 23, 2010**
- (51) **LOC (9) Cl.** **12-10**
- (52) **U.S. Cl.** **D12/106**
- (58) **Field of Classification Search** D12/100-106, D12/19, 129; D21/425, 435; D34/21-26, D34/12, 16; 280/204, 205, 63, 475, 482, 280/647; 296/168, 180, 180.2, 10, 61, 100.01-100.08
See application file for complete search history.

- D617,685 S * 6/2010 Rodabaugh D12/103
- 7,878,545 B2 * 2/2011 Rhymer et al. 280/789
- 8,025,331 B2 * 9/2011 Ehrlich et al. 296/185.1
- D653,588 S * 2/2012 Heard D12/102
- 2004/0201247 A1 10/2004 Gehman et al.
- 2005/0280272 A1 12/2005 Vokey et al.

* cited by examiner

Primary Examiner — Caron D Veynar
Assistant Examiner — Katrina A Betton
(74) *Attorney, Agent, or Firm* — Dinsmore & Shohl LLP

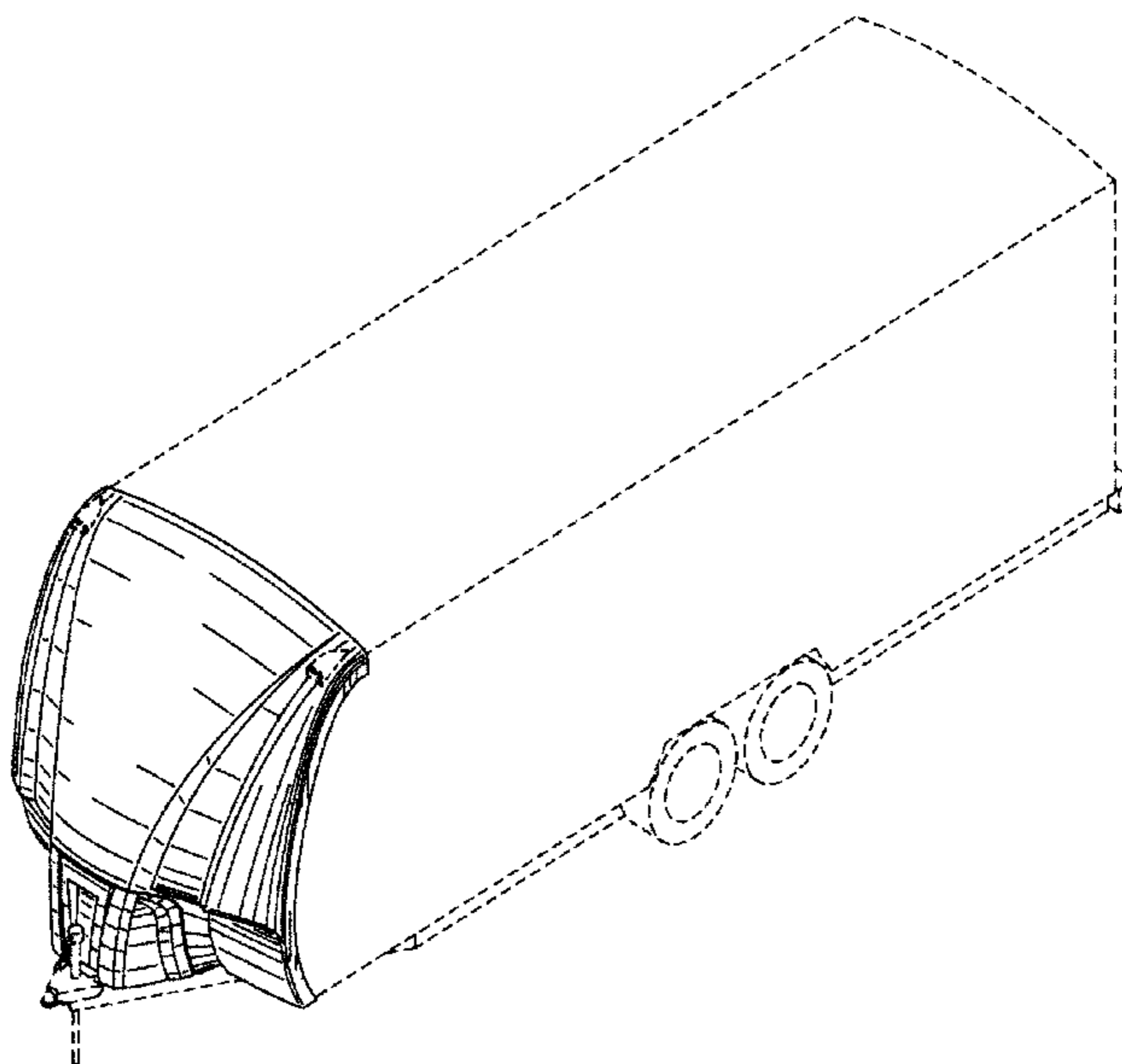
(57) **CLAIM**
The ornamental design for a cap for travel trailer, as shown and described.

DESCRIPTION

FIG. 1 is a perspective view of a cap for travel trailer illustrating our new design;
FIG. 2 is a front elevational view thereof;
FIG. 3 is a rear elevational view thereof;
FIG. 4 is a top plan view thereof;
FIG. 5 is a bottom plan view thereof;
FIG. 6 is a right side elevational view thereof;
FIG. 7 is a left side elevational view thereof; and,
FIG. 8 is a right side elevational view of FIG. 6, wherein a recess cover is in a partially opened orientation, the left side being a mirror image;
FIG. 9 is a perspective view of the cap for travel trailer of FIG. 1 shown attached to a travel trailer;
FIG. 10 is a front elevational view thereof;
FIG. 11 is a rear elevational view thereof;
FIG. 12 is a top plan view thereof;
FIG. 13 is a bottom plan view thereof;
FIG. 14 is a right side elevational view thereof; and,
FIG. 15 is a left side elevational view thereof.
The broken lines shown in the figures are for illustrative purposes only and form no part of the claimed design.

- (56) **References Cited**
- U.S. PATENT DOCUMENTS
- D159,326 S * 7/1950 Eldridge D12/103
- 3,078,117 A 2/1963 Martini
- 3,245,224 A 4/1966 Wilkinson
- 3,425,740 A 2/1969 De Vaughn
- 3,753,543 A 8/1973 Burrell et al.
- 3,767,292 A 10/1973 Rutkowski
- 4,332,040 A 6/1982 Palmer
- D340,430 S * 10/1993 Krah D12/103
- D390,502 S * 2/1998 Bloemendal D12/103
- D392,921 S * 3/1998 McCloud D12/103
- 6,276,736 B1 8/2001 Cook et al.
- 6,293,220 B1 9/2001 Halsall
- 7,000,978 B1 2/2006 Messano
- D542,185 S * 5/2007 Remington D12/103
- D568,793 S * 5/2008 Oliver et al. D12/103
- D610,489 S * 2/2010 Rodabaugh D12/102

1 Claim, 10 Drawing Sheets



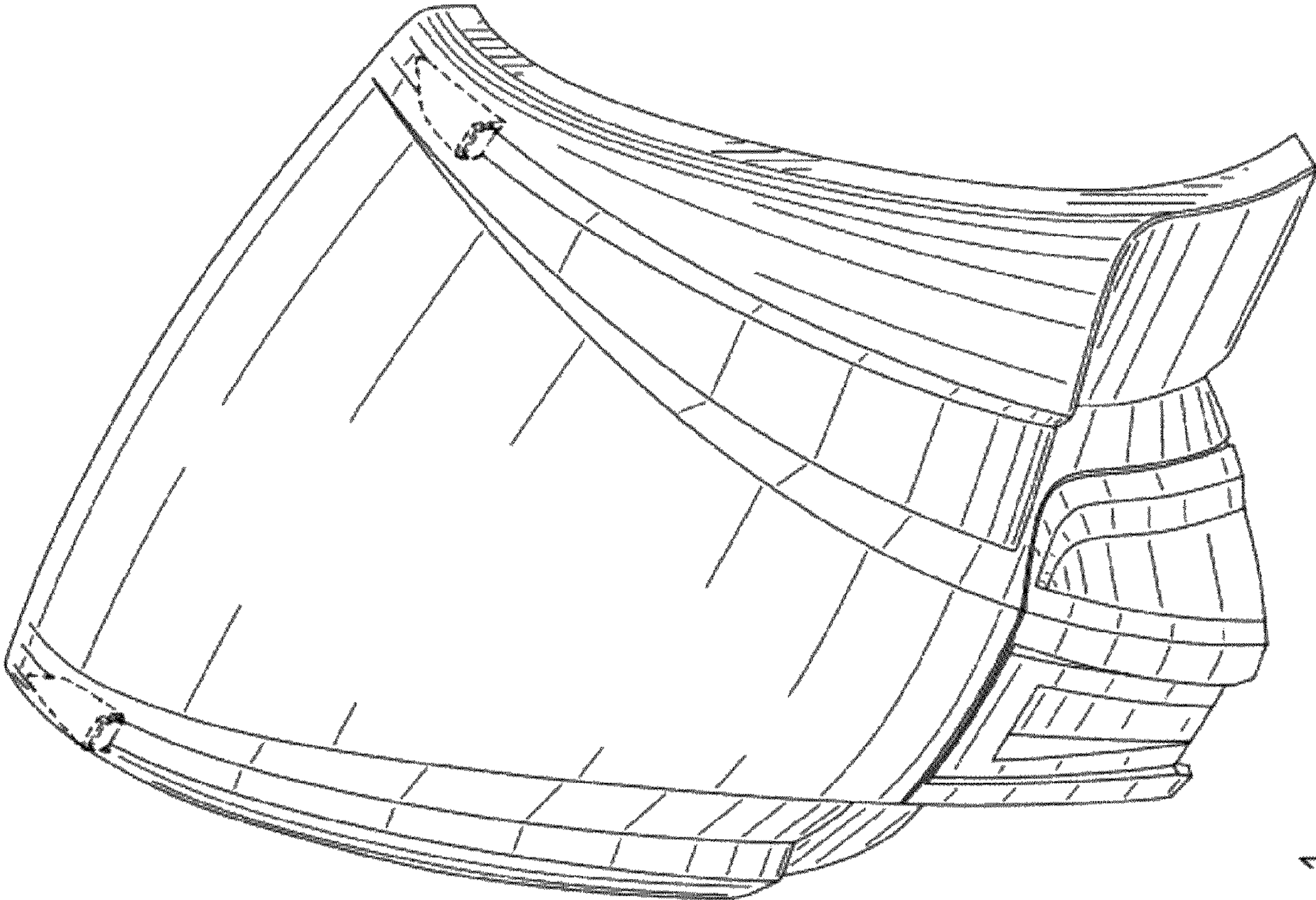


FIG. 1

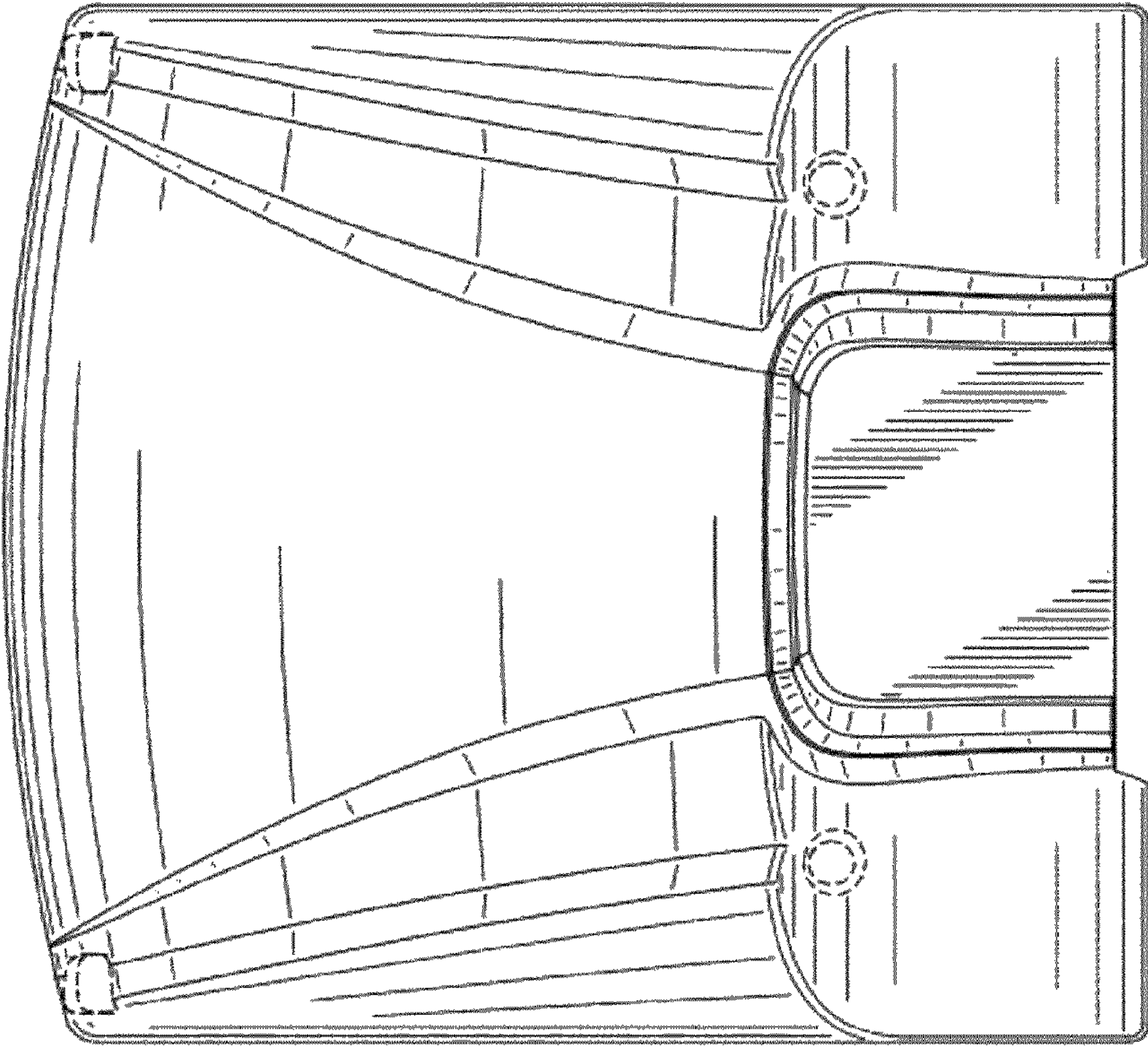


FIG. 2

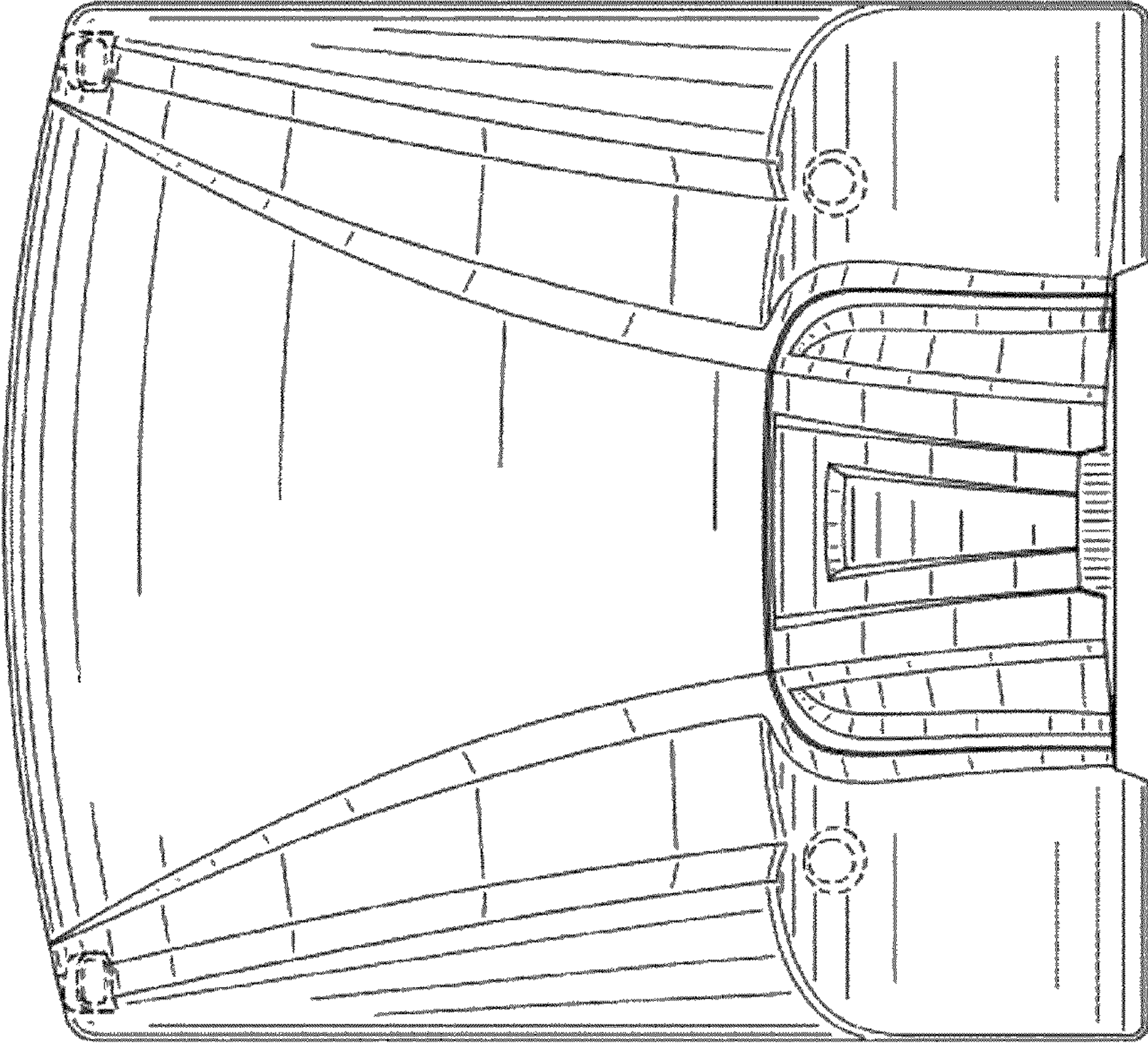


FIG. 3

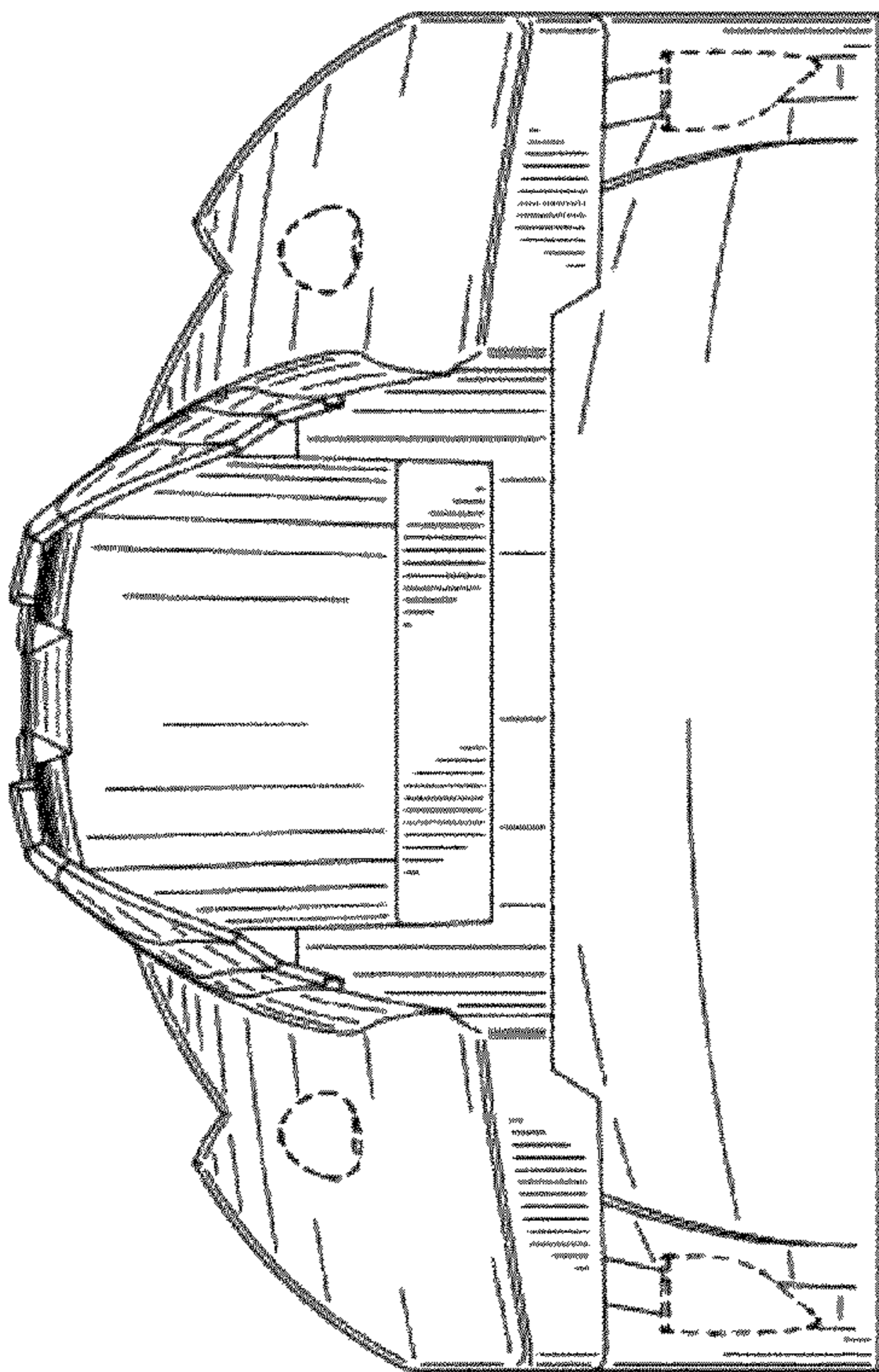


FIG. 5

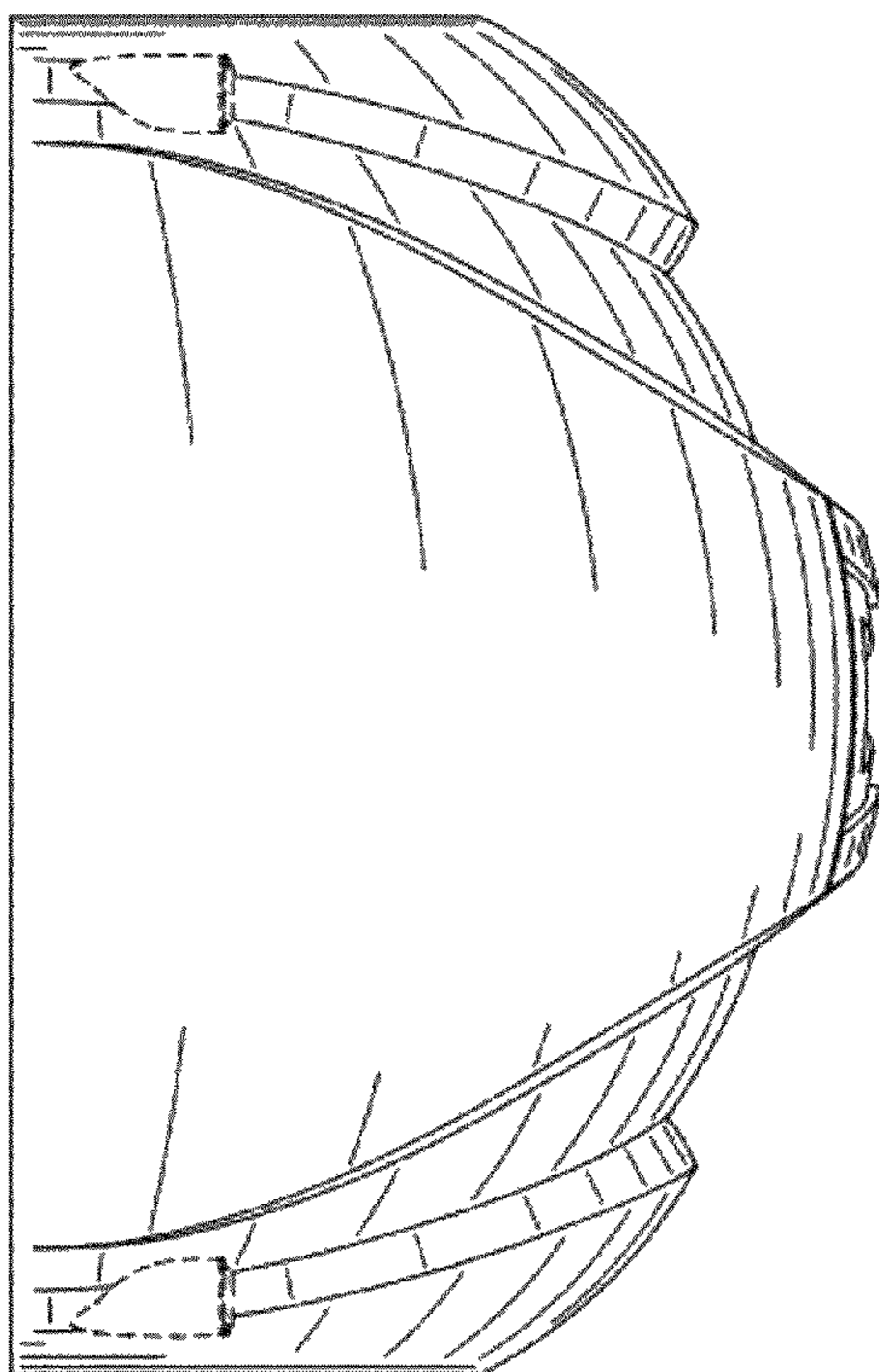


FIG. 4

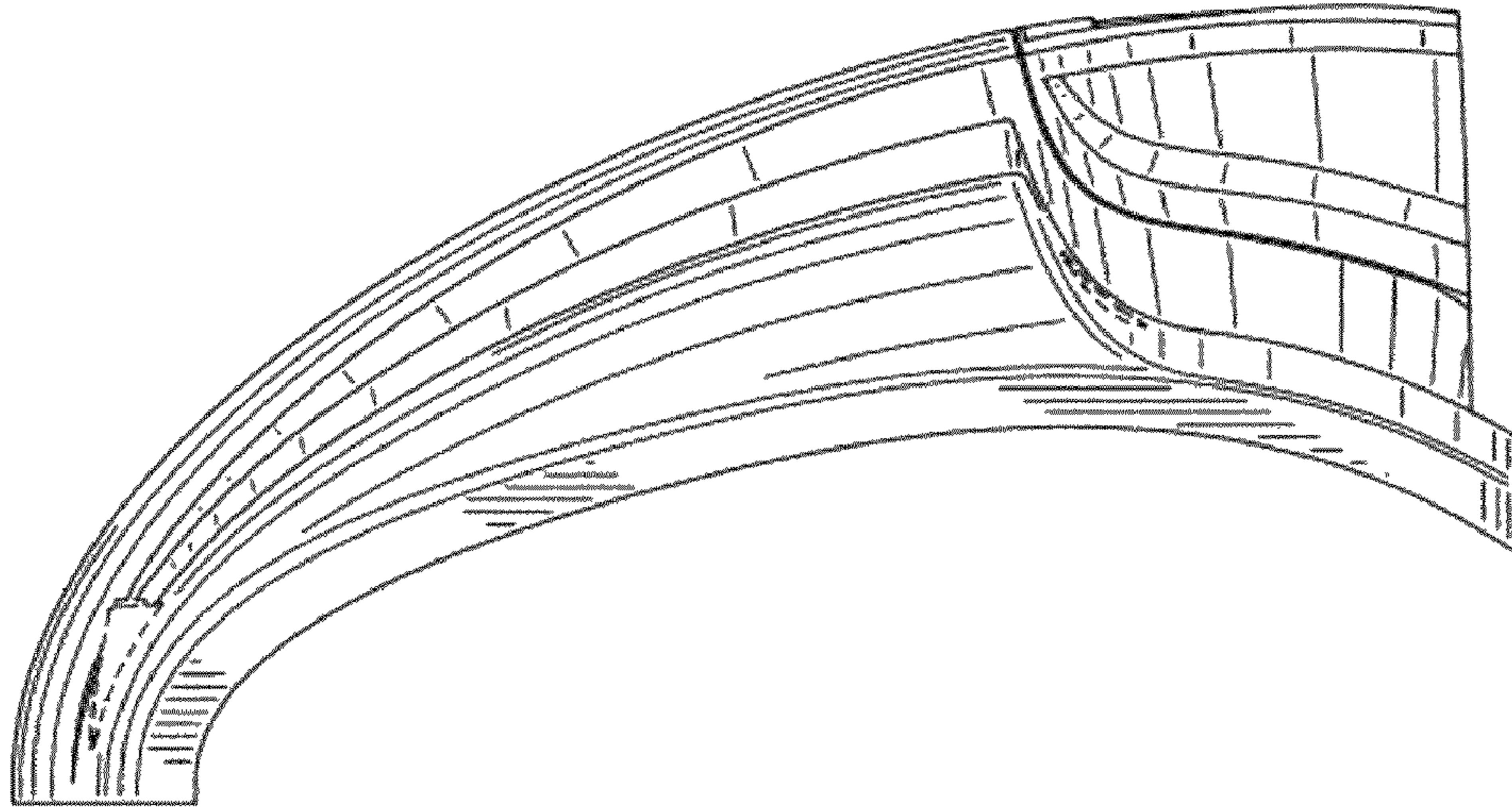


FIG. 7

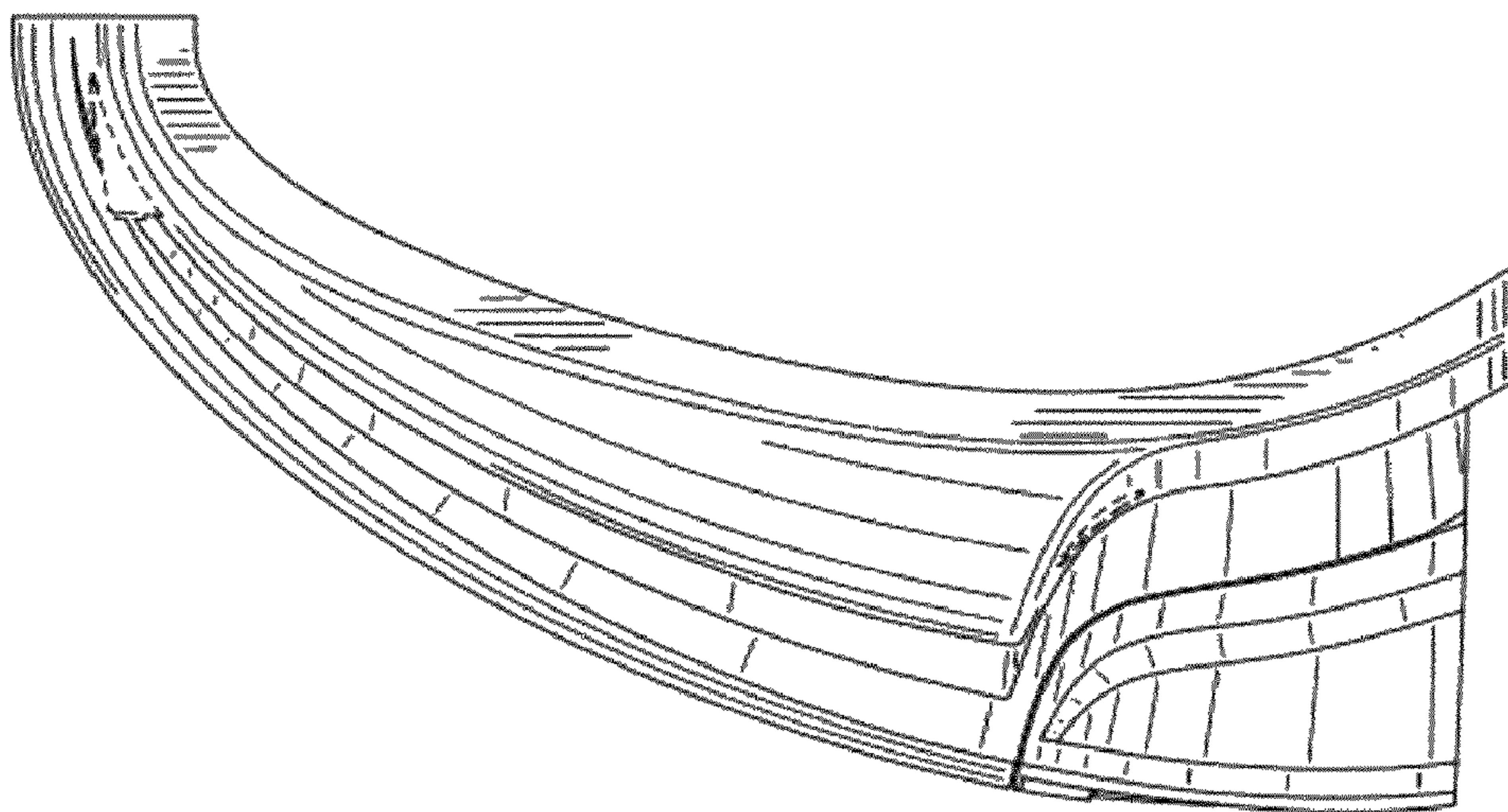


FIG. 6

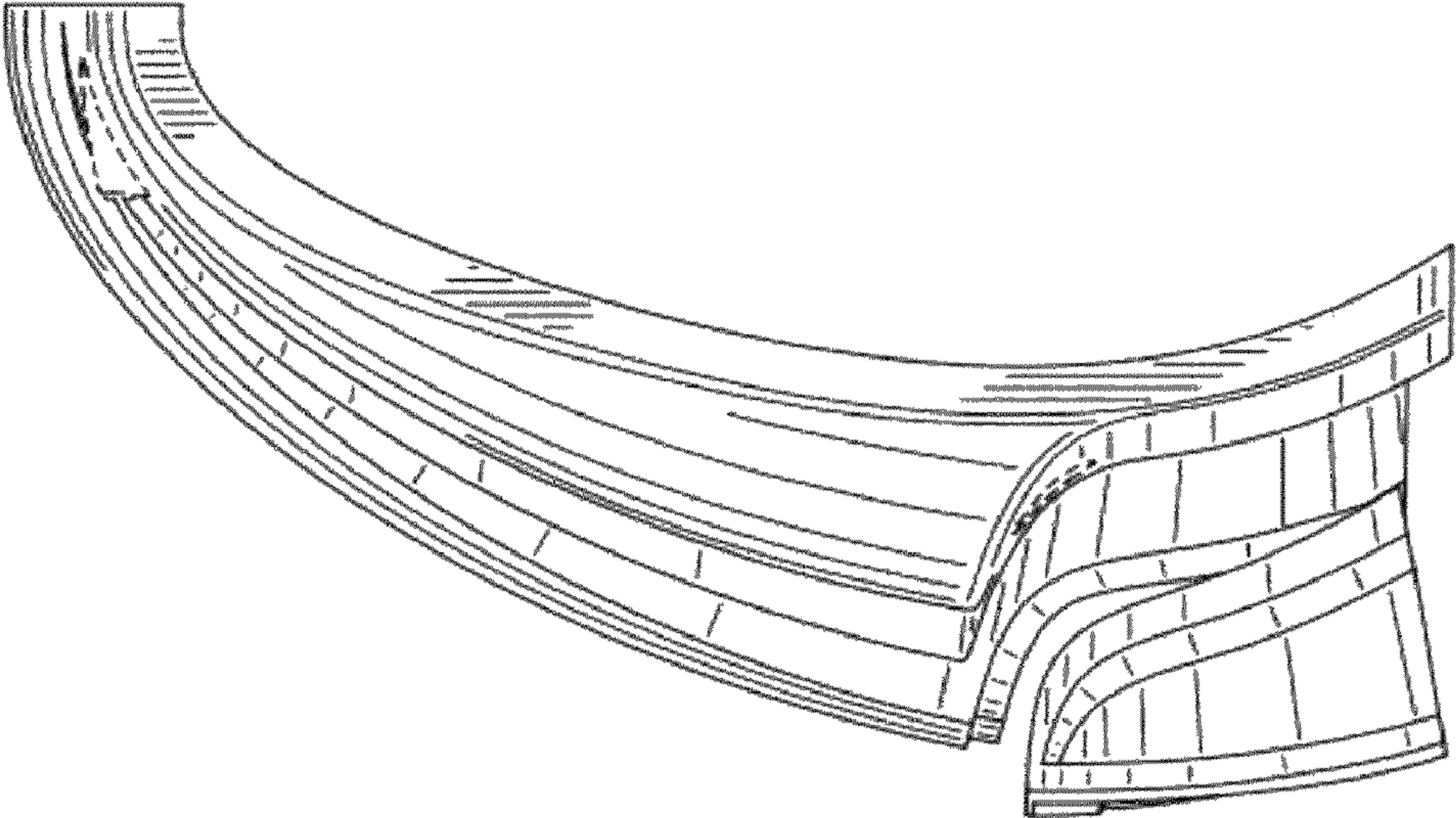


FIG. 8

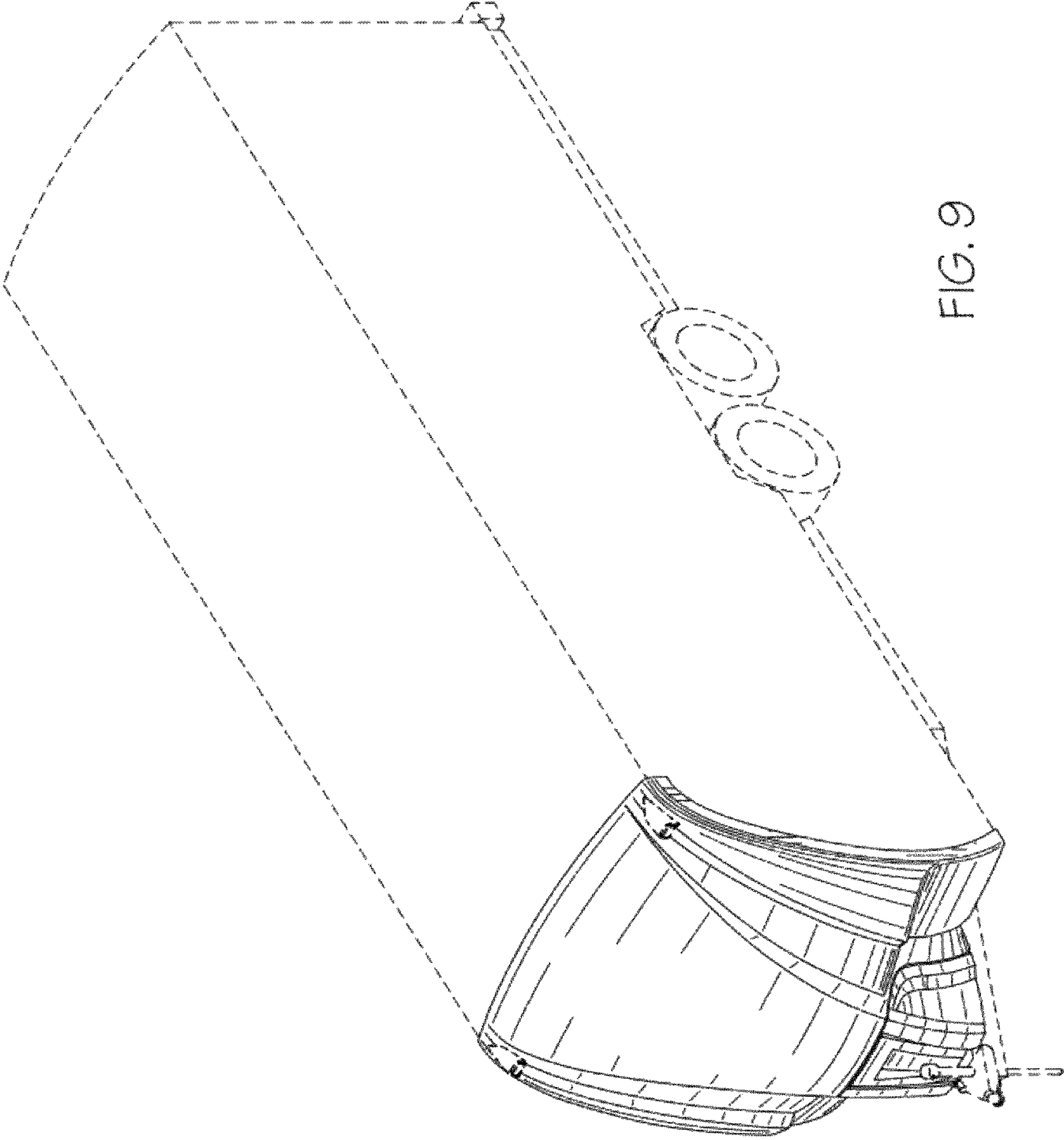


FIG. 9

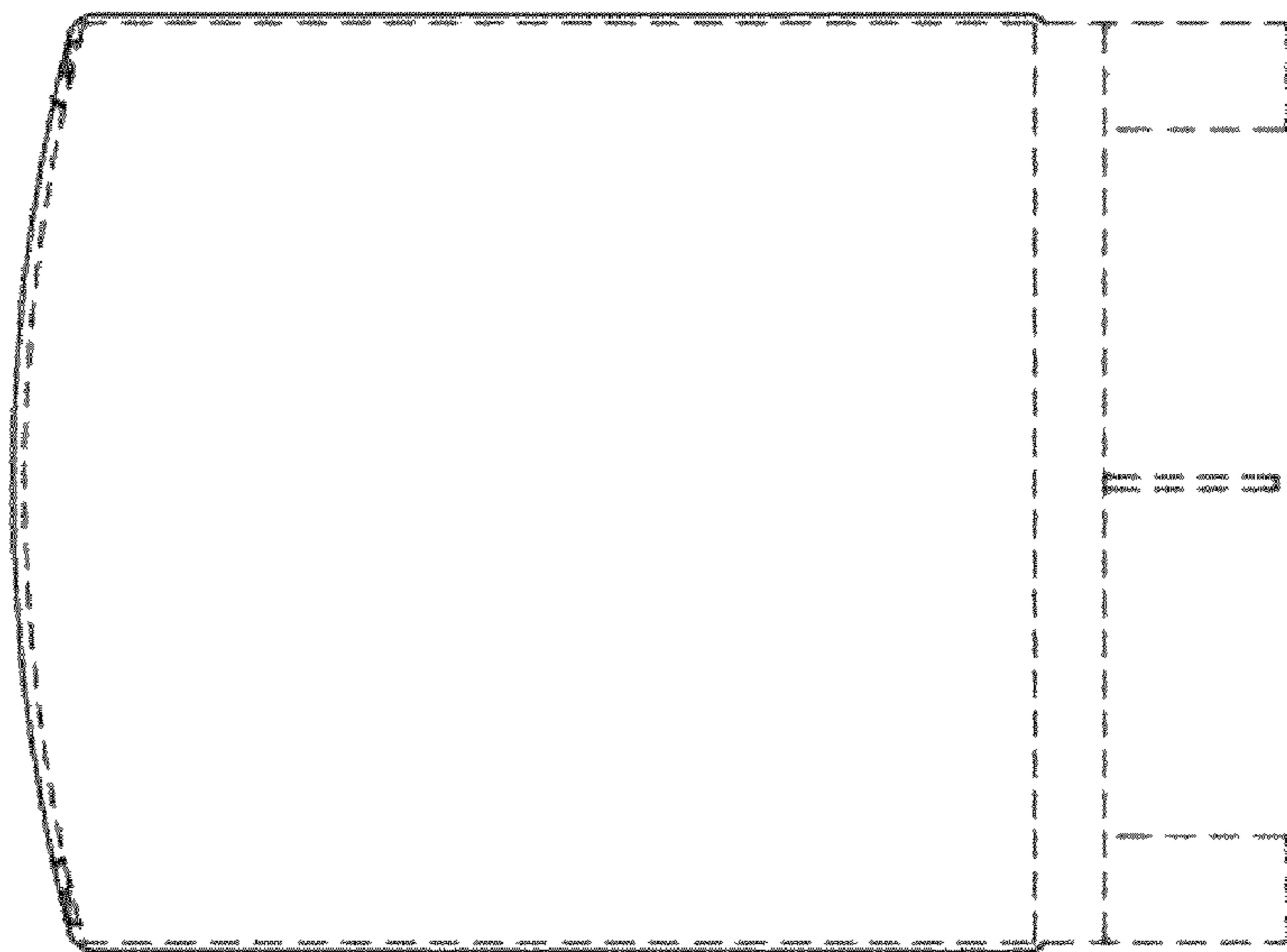


FIG. 11

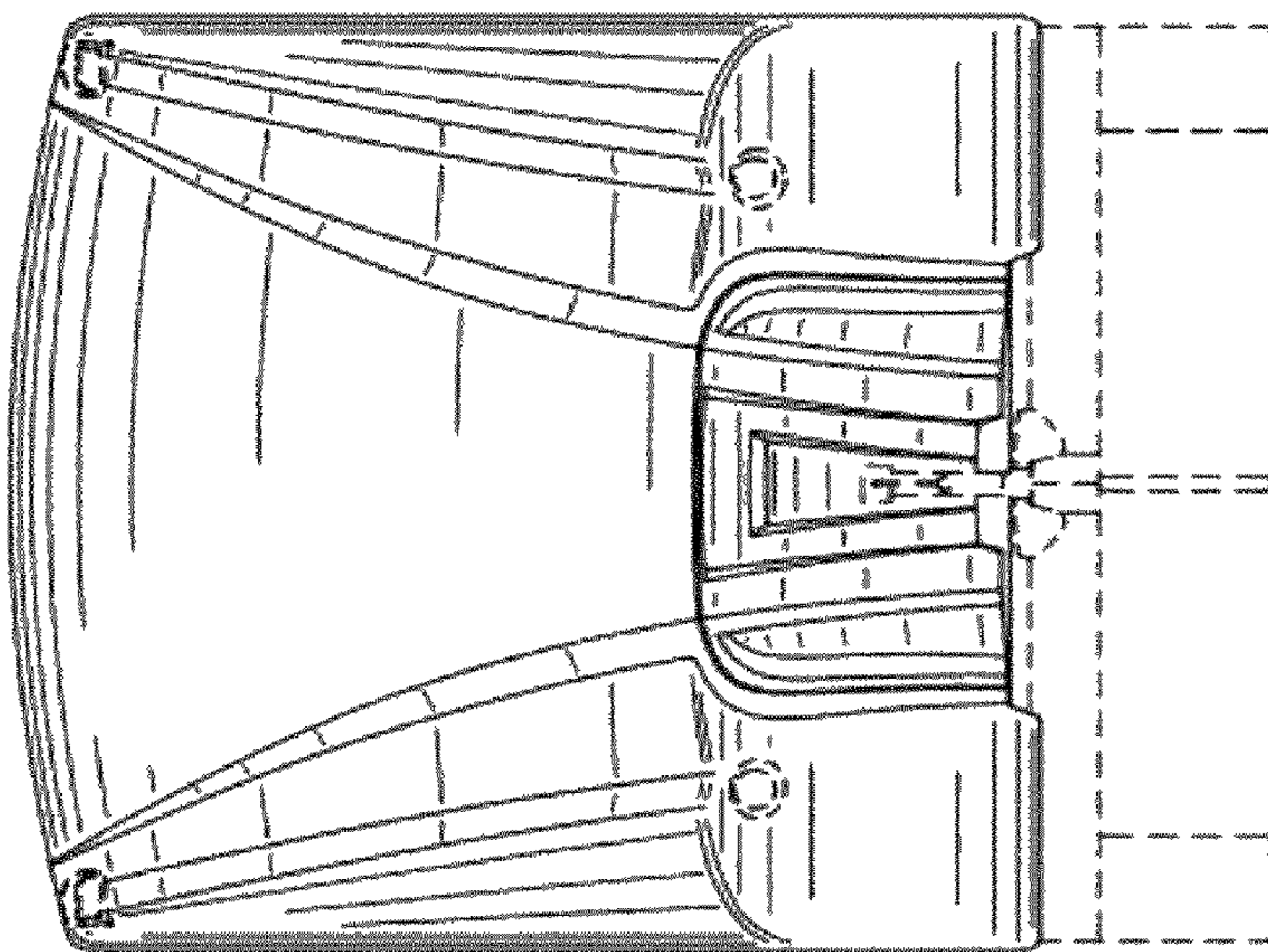


FIG. 10

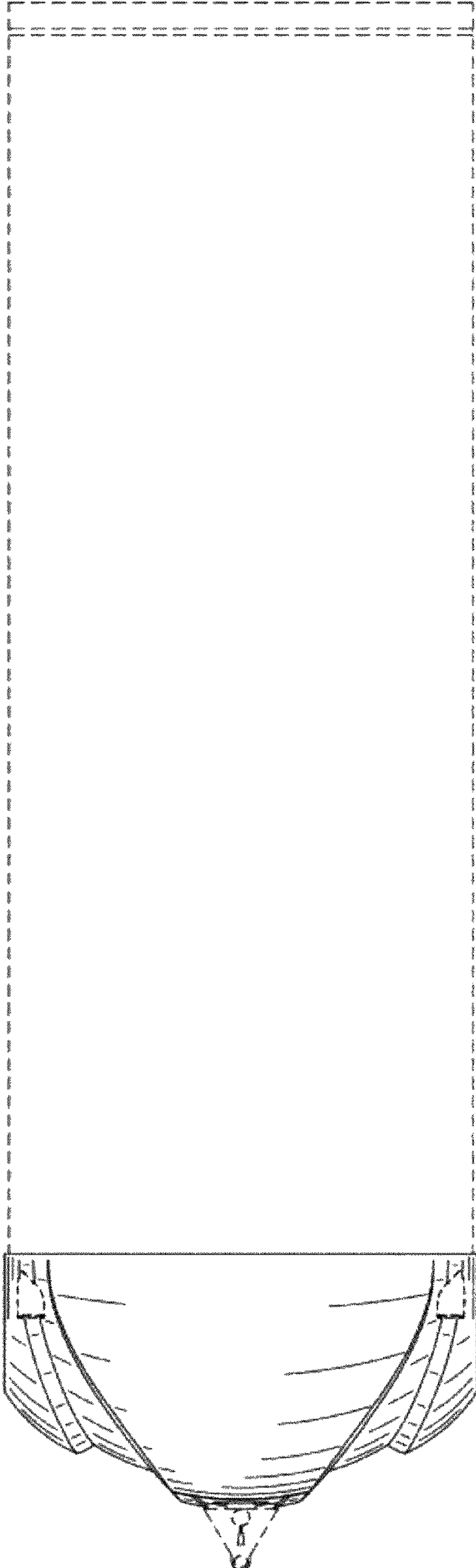


FIG. 12

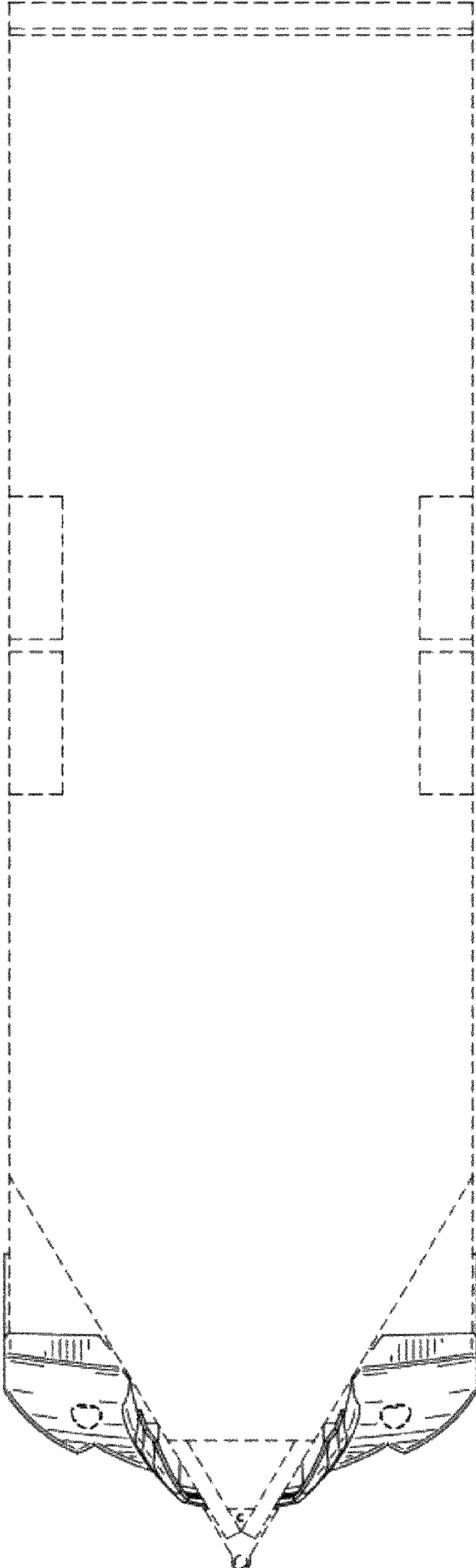


FIG. 13

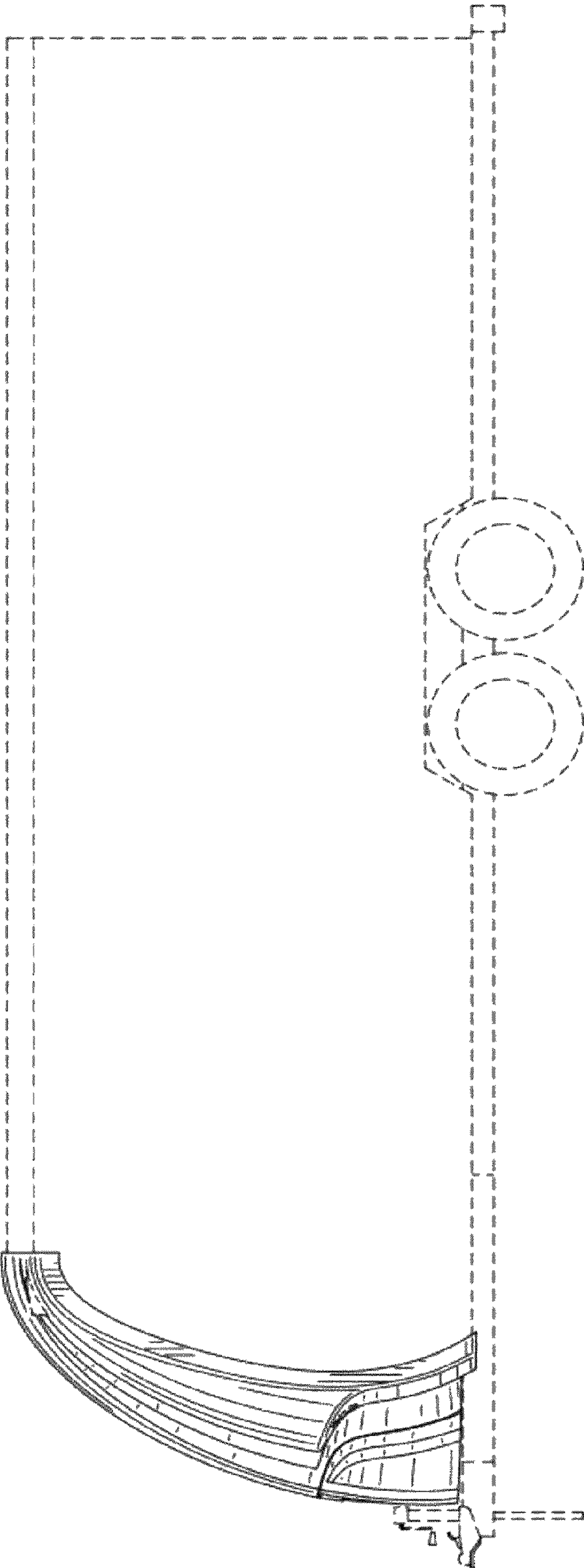


FIG. 14

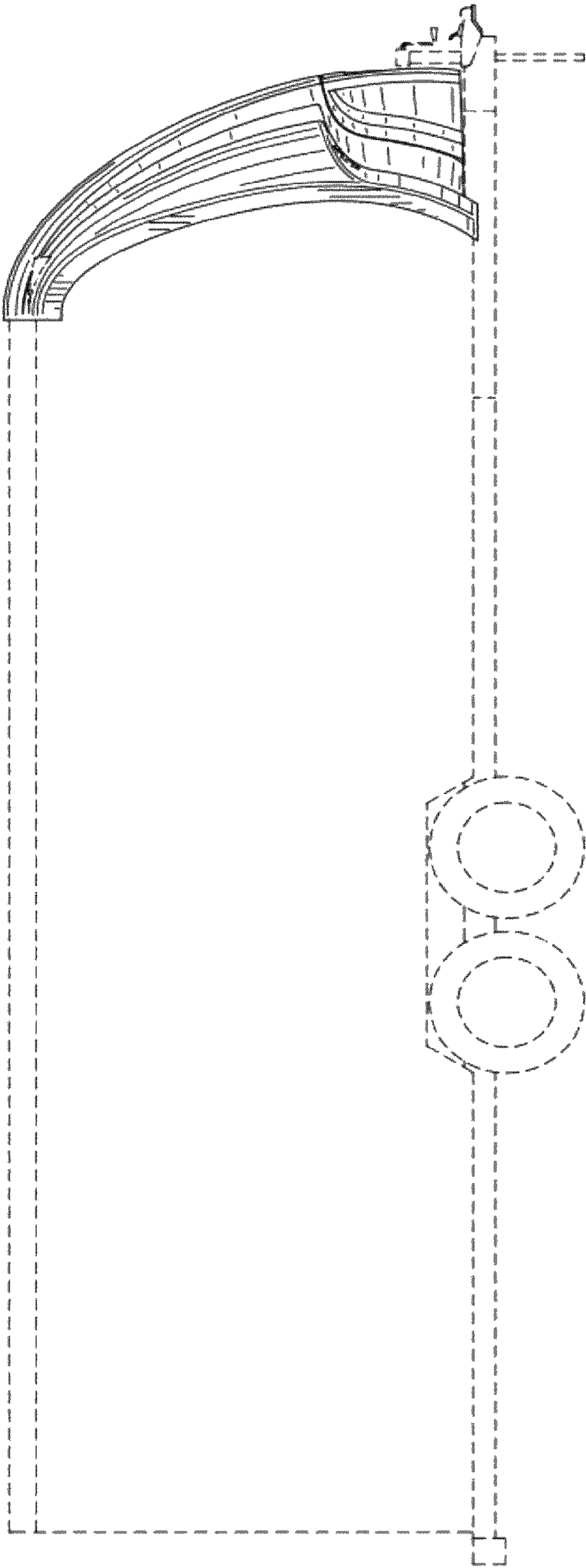


FIG. 15