



US00D663236S

(12) **United States Design Patent**  
**Pedersen et al.**

(10) **Patent No.:** **US D663,236 S**  
(45) **Date of Patent:** **\*\* Jul. 10, 2012**

(54) **VESSEL**

(75) Inventors: **Sara L. Pedersen**, Minneapolis, MN (US); **Samuel J. Clavette**, Stillwater, MN (US); **Daiying Huang**, Medina, MN (US); **Stephanie A. Grotta**, Minneapolis, MN (US); **Stacy L. Abel**, Maple Grove, MN (US)

(73) Assignee: **Target Brands, Inc.**, Minneapolis, MN (US)

(\*\*) Term: **14 Years**

(21) Appl. No.: **29/409,619**

(22) Filed: **Dec. 27, 2011**

(51) **LOC (9) Cl.** ..... **11-02**

(52) **U.S. Cl.** ..... **D11/154**

(58) **Field of Classification Search** ..... D6/403-405, D6/556-558; D8/1; D11/143-156, 164; D19/77, 80, 81, 84; D25/100; D26/9-11, D26/16, 19; D34/1, 2, 4-6; D99/5, 19; 47/17, 47/32.4, 32.5, 32.7, 33.39, 41.01, 41.1, 41.11-41.15, 47/44-47, 63, 65.5, 65.9, 66.1, 66.2, 66.6, 47/66.7, 67-71

See application file for complete search history.

(56) **References Cited**

**U.S. PATENT DOCUMENTS**

D38,513 S \* 4/1907 Brush ..... D11/154  
D168,092 S \* 11/1952 Hedu ..... D11/153  
D352,479 S \* 11/1994 Carlson ..... D11/153  
D363,897 S \* 11/1995 Carlson ..... D11/152

D492,219 S \* 6/2004 Harbaugh ..... D11/154  
D513,206 S \* 12/2005 Talmadge ..... D11/153  
D579,818 S \* 11/2008 Lambert et al. .... D11/152

**OTHER PUBLICATIONS**

Target, "Smith & Hawken® Fluted Urn," 1 page, <http://www.target.com/p/Smith-Hawken-174-Fluted-Urn-Black-21/-/A-12965027> (last visited Sep. 2, 2011).

Thos. Baker, "set of 2 planters (terrazzolite)," 1 page, <http://www.thosbaker.com/set-of-two-terrazzolite-planters?sc=56&category=19267> (last visited Dec. 20, 2011).

\* cited by examiner

*Primary Examiner* — Garth Rademaker

(74) *Attorney, Agent, or Firm* — Leanne Taveggia Farrell; Westman, Champlin & Kelly, P.A.

(57) **CLAIM**

The ornamental design for a vessel, as shown and described.

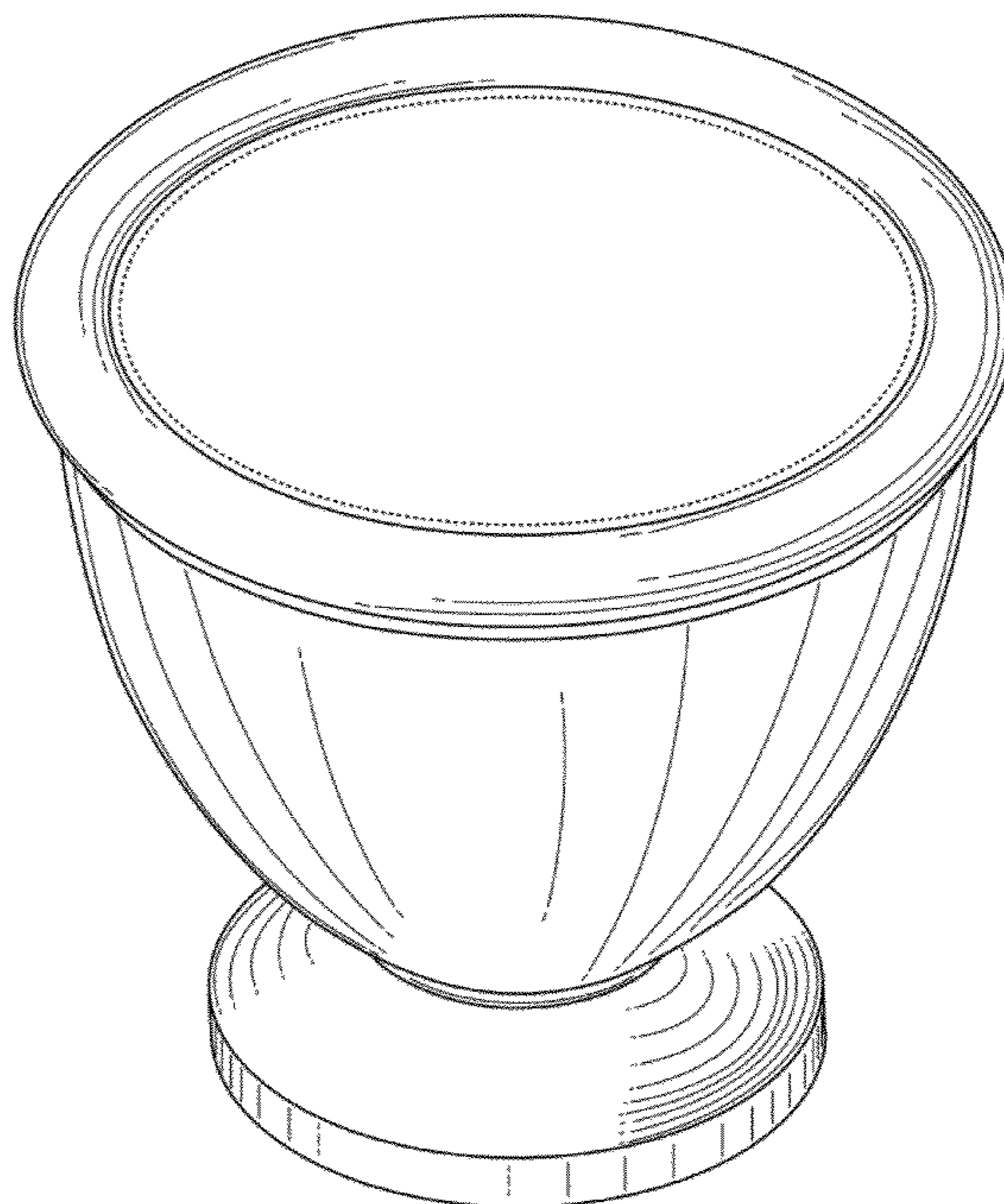
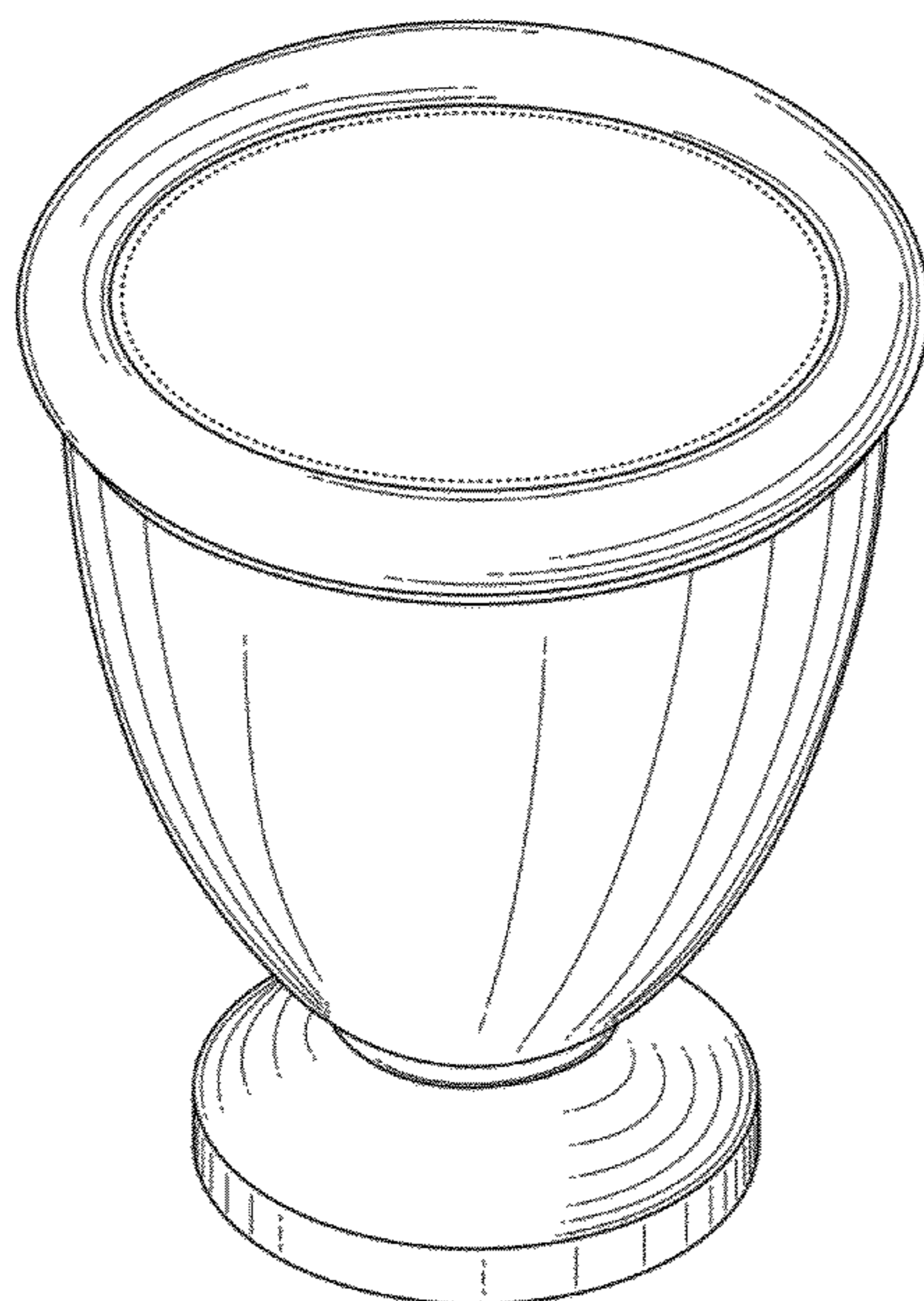
**DESCRIPTION**

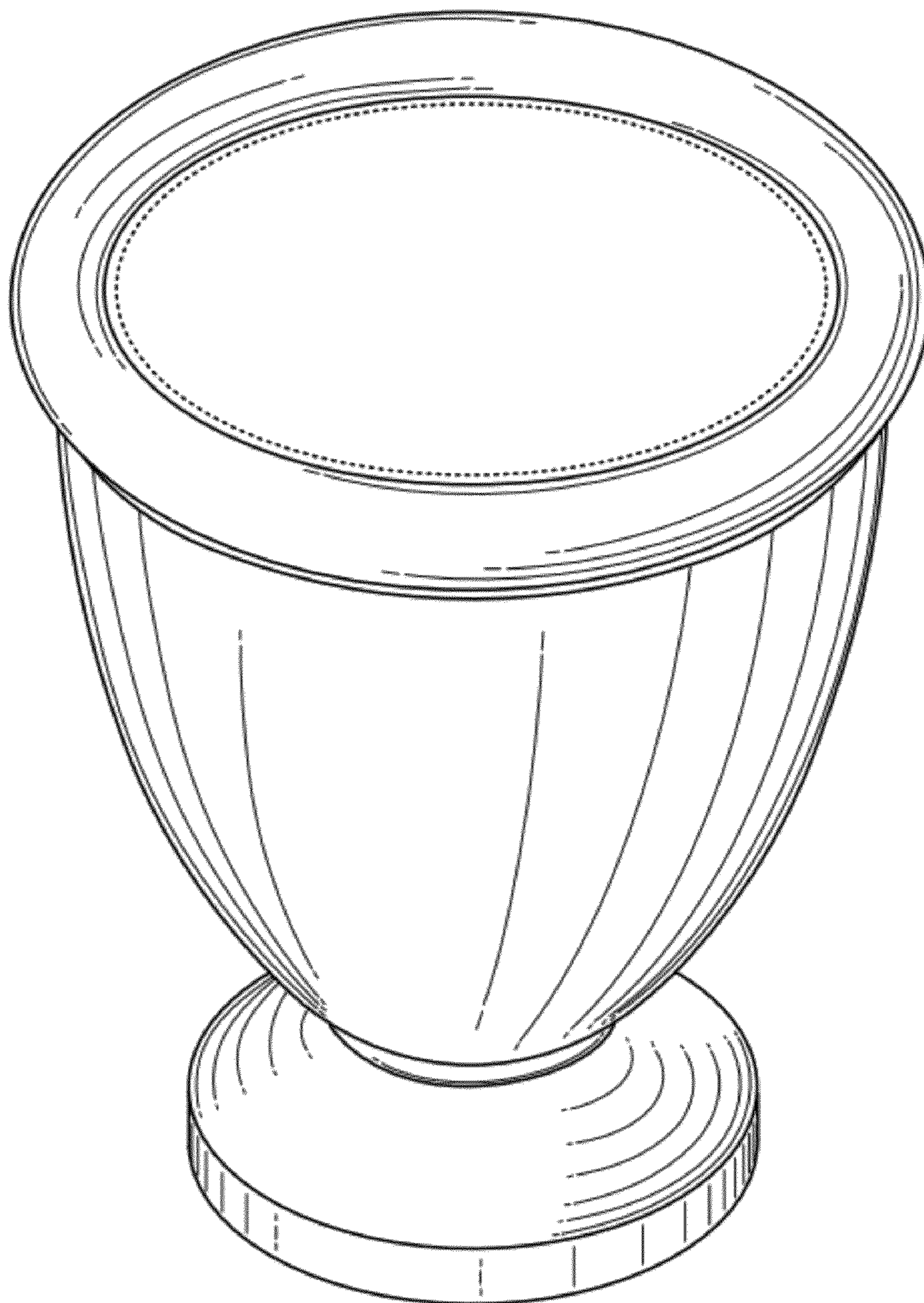
FIG. 1 is a perspective view of a first embodiment of a vessel; FIG. 2 is a side view of the vessel illustrated in FIG. 1, the opposite side, the front and the rear being identical; FIG. 3 is a top view of the vessel illustrated in FIG. 1; FIG. 4 is a bottom view of the vessel illustrated in FIG. 1; FIG. 5 is a perspective view of a second embodiment of a vessel;

FIG. 6 is a side view of the vessel illustrated in FIG. 5, the opposite side, the front and the rear being identical; FIG. 7 is a top view of the vessel illustrated in FIG. 5; and, FIG. 8 is a bottom view of the vessel illustrated in FIG. 5.

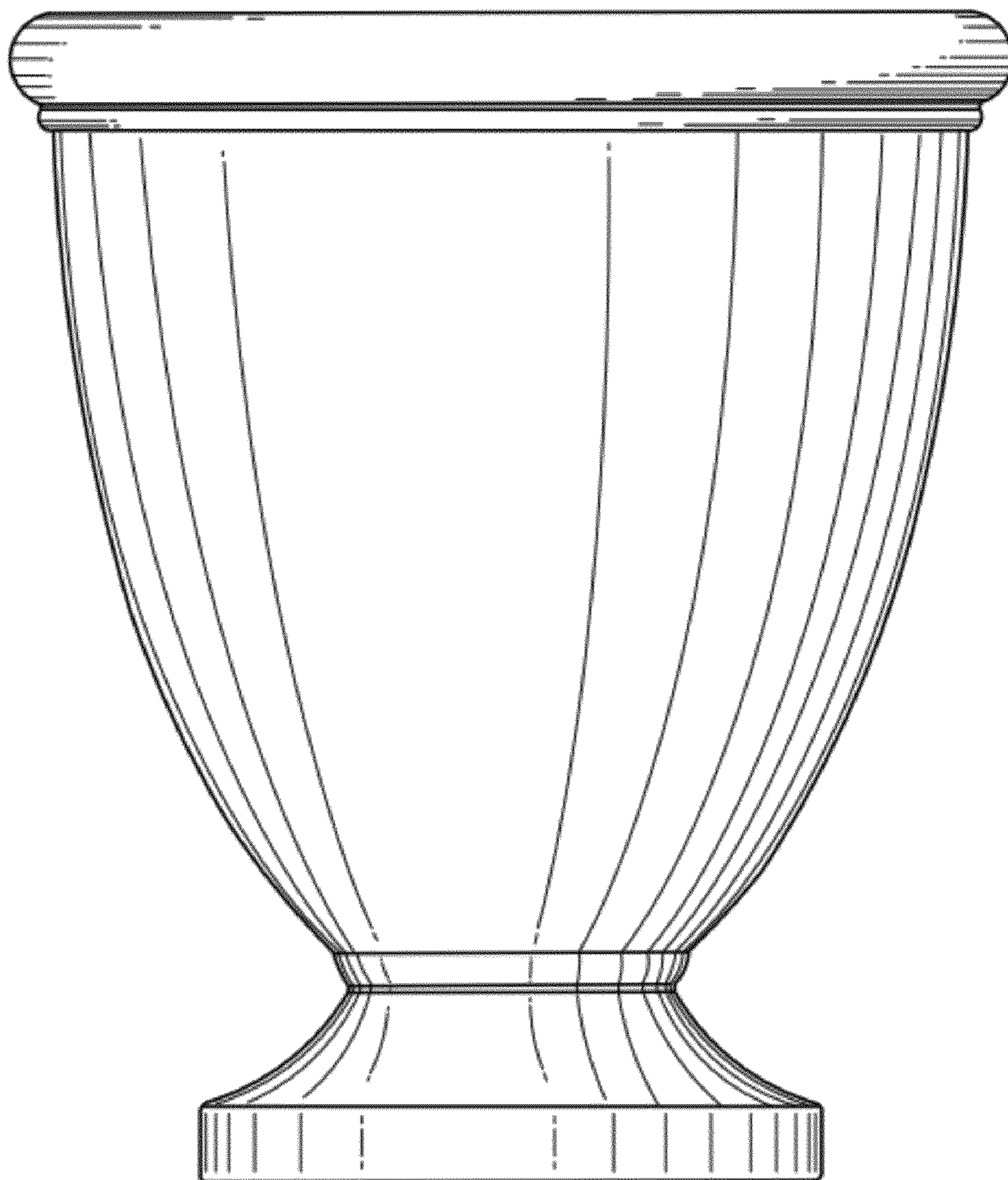
The broken lines in the drawings show environmental structure only and form no part of the claimed design.

**1 Claim, 8 Drawing Sheets**

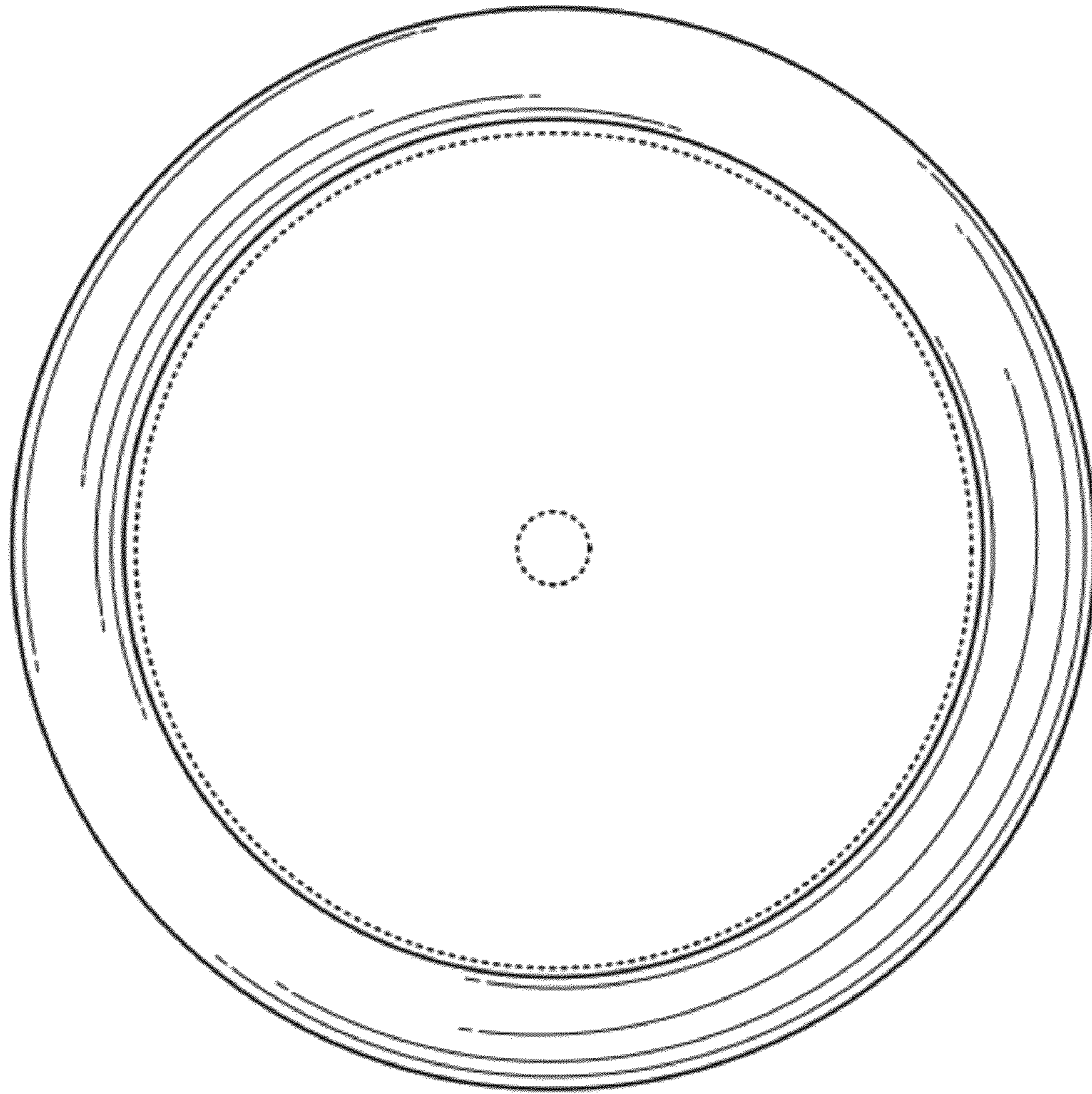




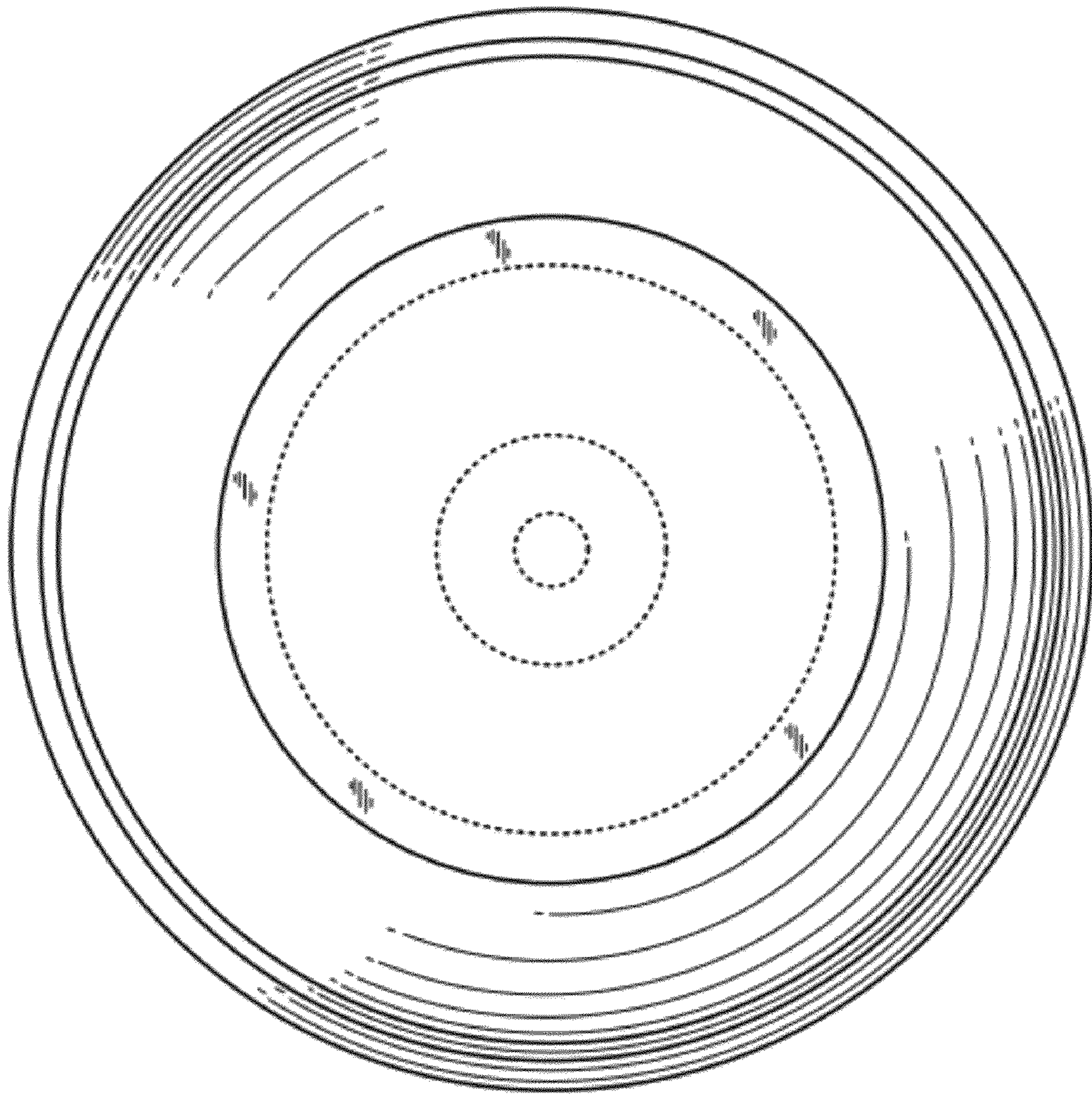
*FIG. 1*



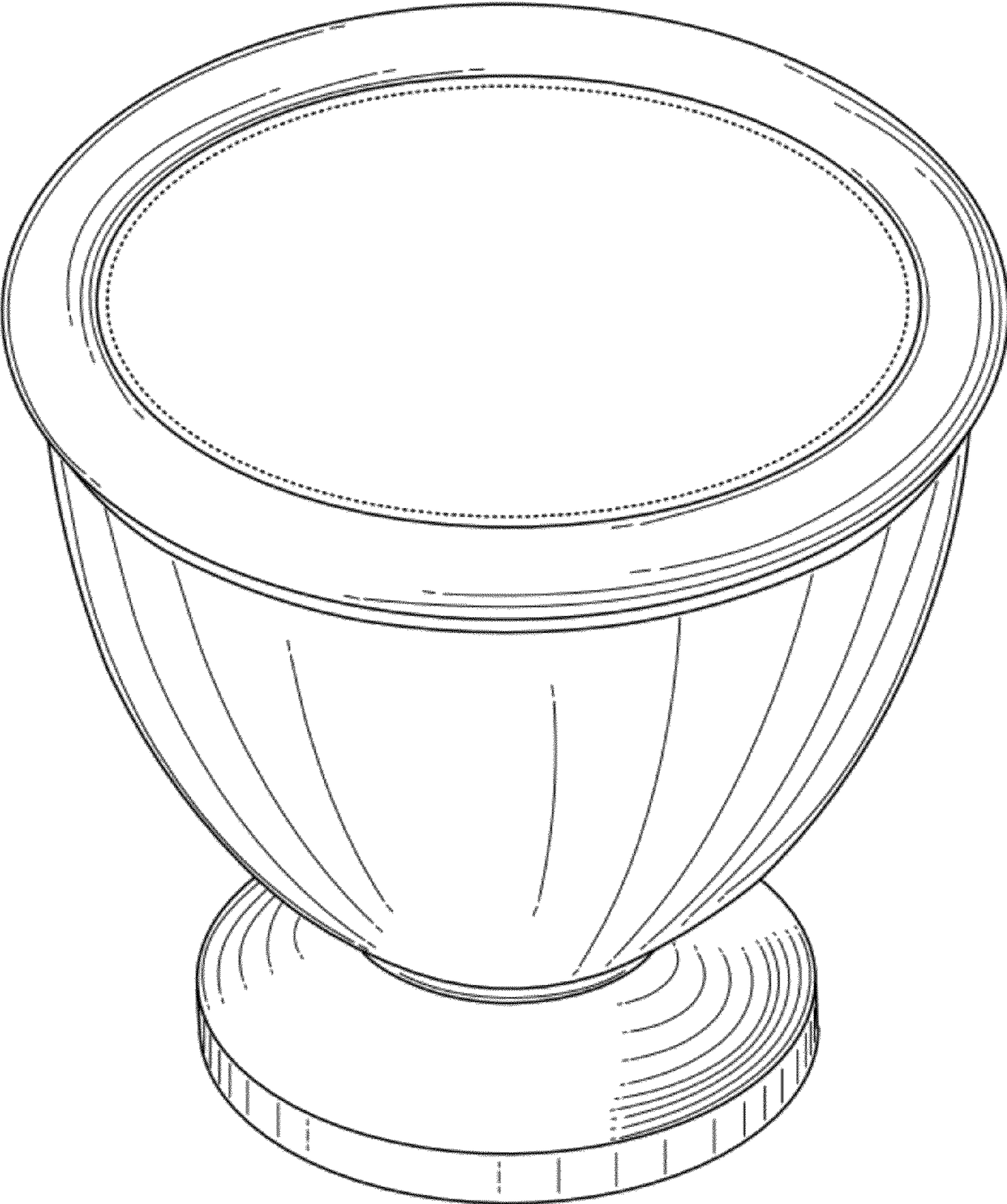
*FIG. 2*



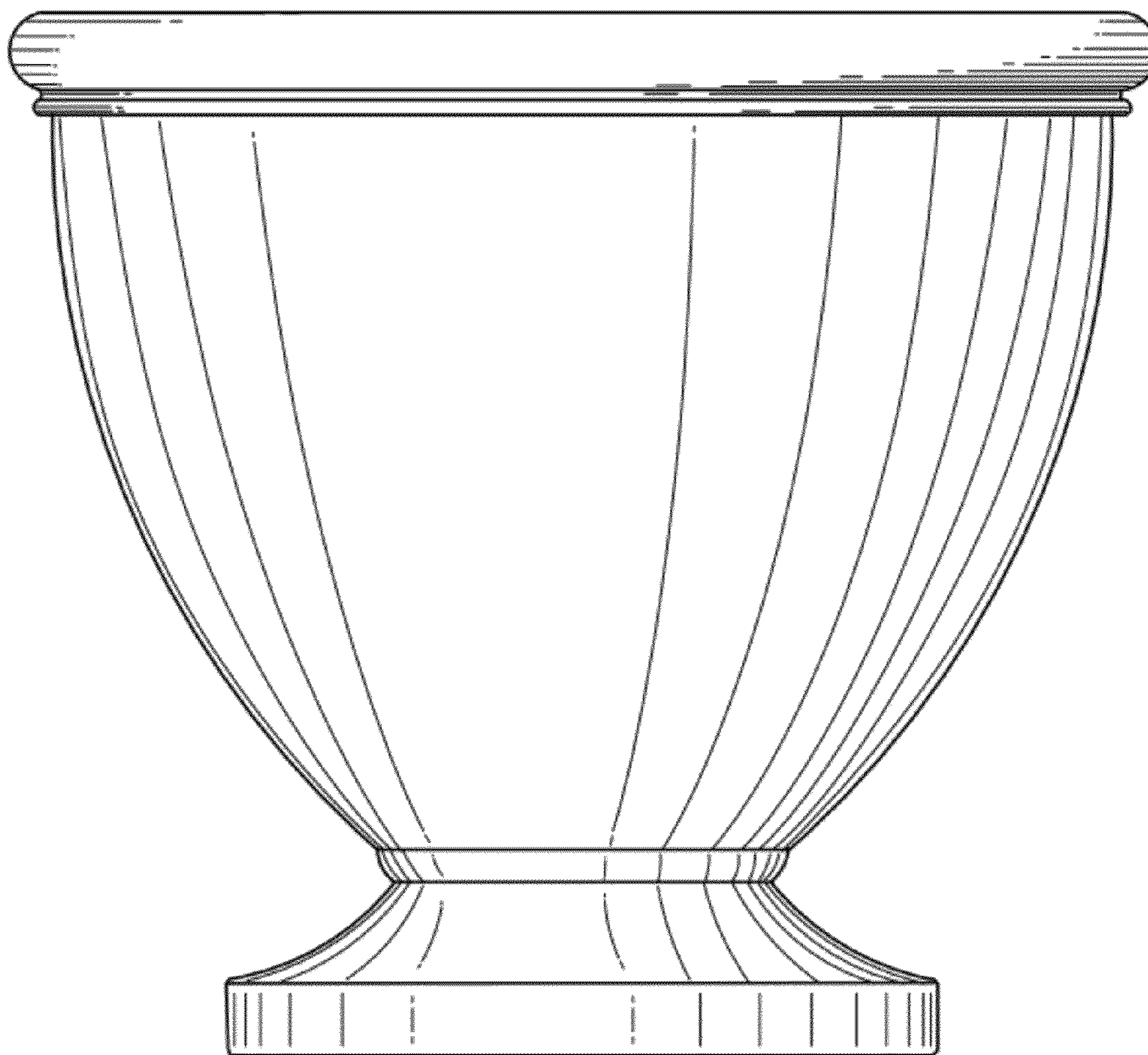
*FIG. 3*



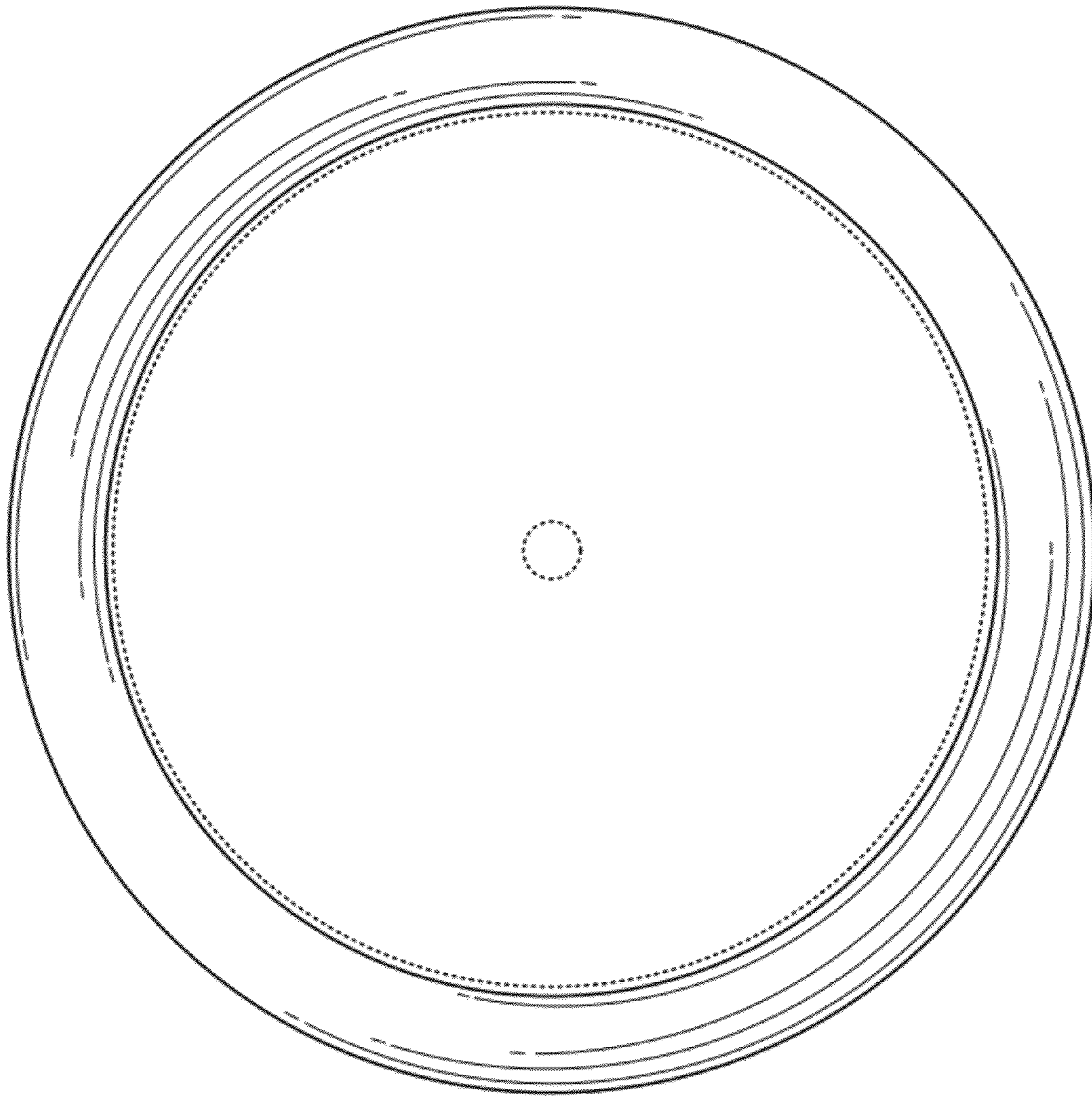
*FIG. 4*



*FIG. 5*

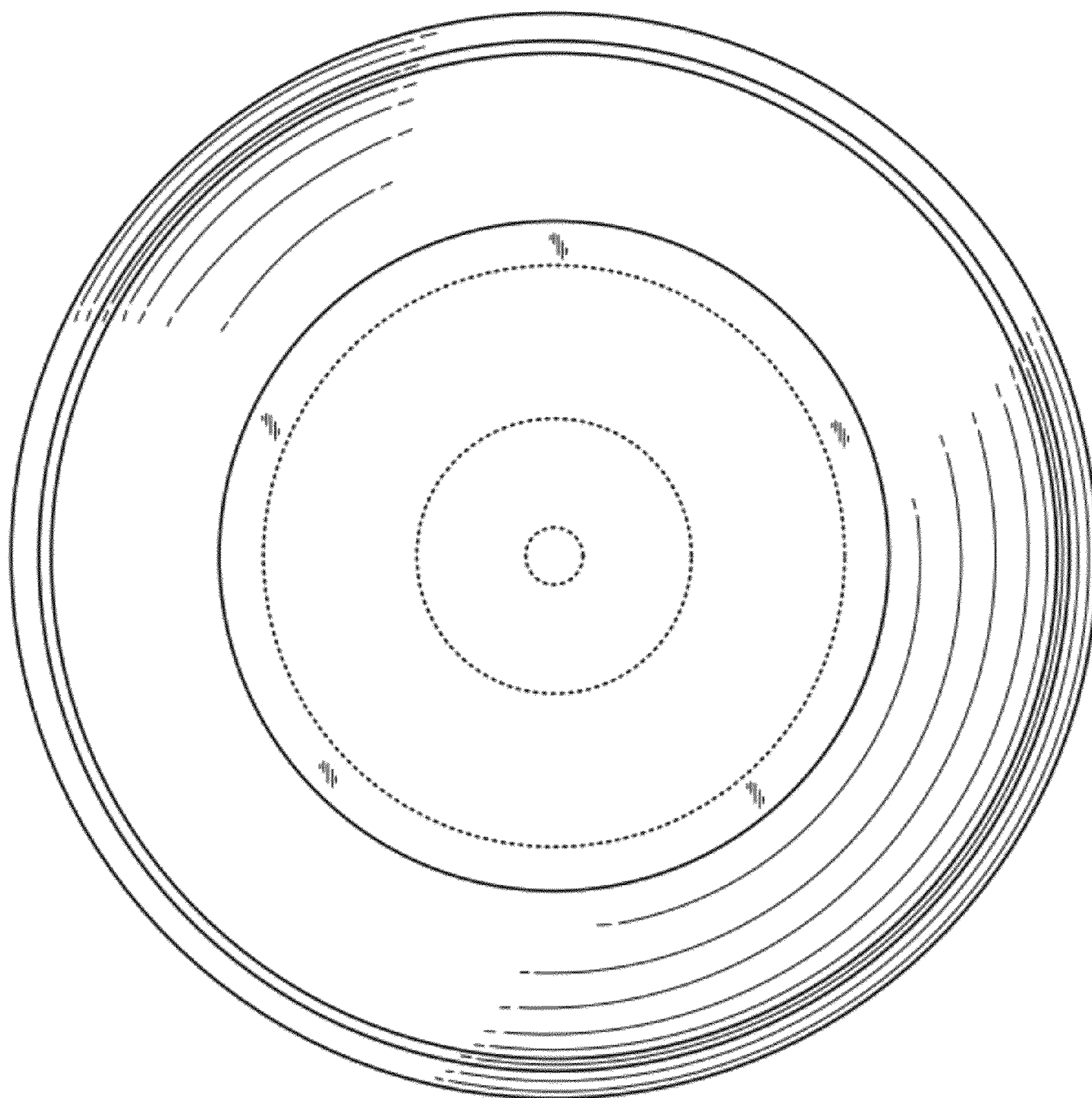


*FIG. 6*



*FIG. 7*





*FIG. 8*