

US00D663228S

(12) **United States Design Patent**
Reinbach

(10) **Patent No.:** **US D663,228 S**

(45) **Date of Patent:** **** *Jul. 10, 2012**

(54) **VEHICLE SAFETY LIGHT**

(75) Inventor: **Martin Reinbach**, Auckland (NZ)

(73) Assignee: **Hella New Zealand Limited**, Auckland (NZ)

(*) Notice: This patent is subject to a terminal disclaimer.

(**) Term: **14 Years**

(21) Appl. No.: **29/405,280**

(22) Filed: **Oct. 31, 2011**

(51) **LOC (9) Cl.** **10-05**

(52) **U.S. Cl.** **D10/114.4**

(58) **Field of Classification Search** ... D10/114.1-114.4;
D26/72, 74, 76; 362/184, 235, 249.06, 269;
315/86

See application file for complete search history.

(56) **References Cited**

U.S. PATENT DOCUMENTS

4,449,167 A * 5/1984 Cohen 362/269
D320,363 S * 10/1991 Lyons D10/114.3

D530,029 S * 10/2006 Neufeglise et al. D26/28
D569,025 S * 5/2008 Hakamada D26/74
D579,138 S * 10/2008 Ghini D26/76
D592,536 S * 5/2009 Chan Chen D10/114.2
D617,229 S * 6/2010 Shin D10/114.4
D640,946 S * 7/2011 Martin D10/114.3
D652,335 S * 1/2012 Deyaf D10/114.4

* cited by examiner

Primary Examiner — George D Kirschbaum

(74) *Attorney, Agent, or Firm* — Workman Nydegger

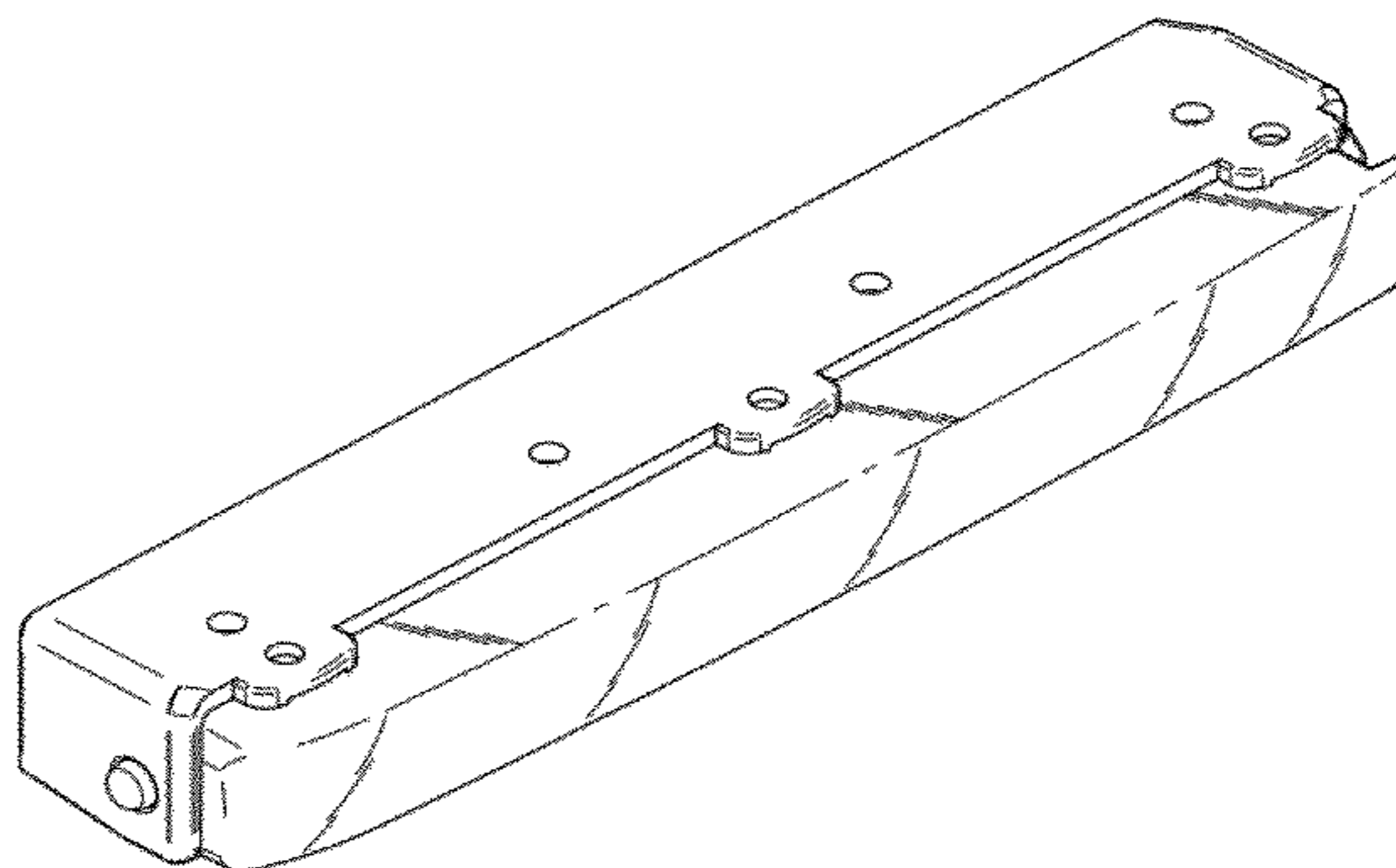
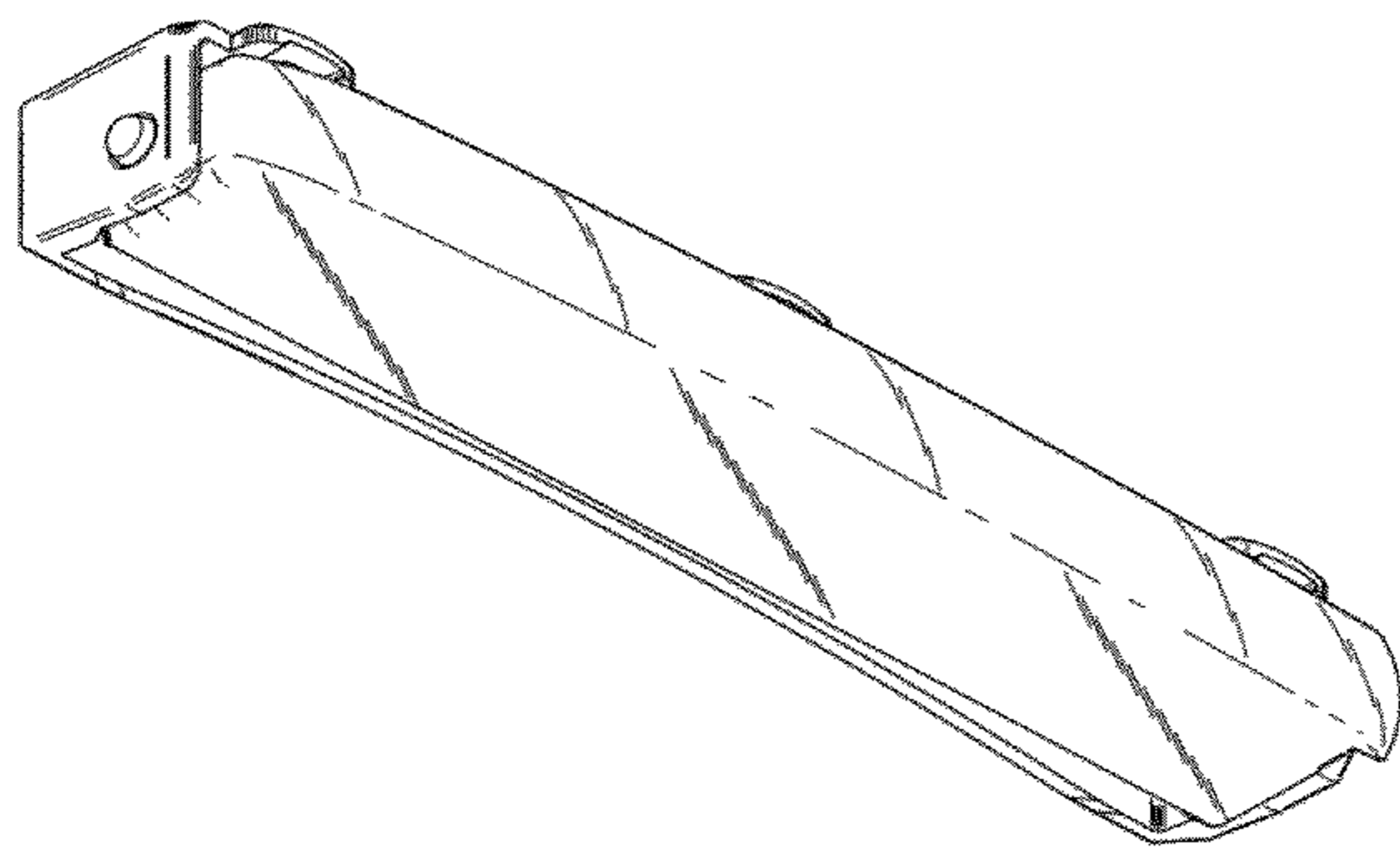
(57) **CLAIM**

The ornamental design for a vehicle safety light, as shown and described.

DESCRIPTION

FIG. 1 is a bottom perspective view of a vehicle safety light showing my new design;
FIG. 2 is a top perspective view thereof;
FIG. 3 is a front elevational view thereof;
FIG. 4 is a rear elevational view thereof;
FIG. 5 is a left side elevational view thereof;
FIG. 6 is a right side elevational view thereof;
FIG. 7 is a top plan view thereof; and,
FIG. 8 is a bottom plan view thereof.

1 Claim, 3 Drawing Sheets



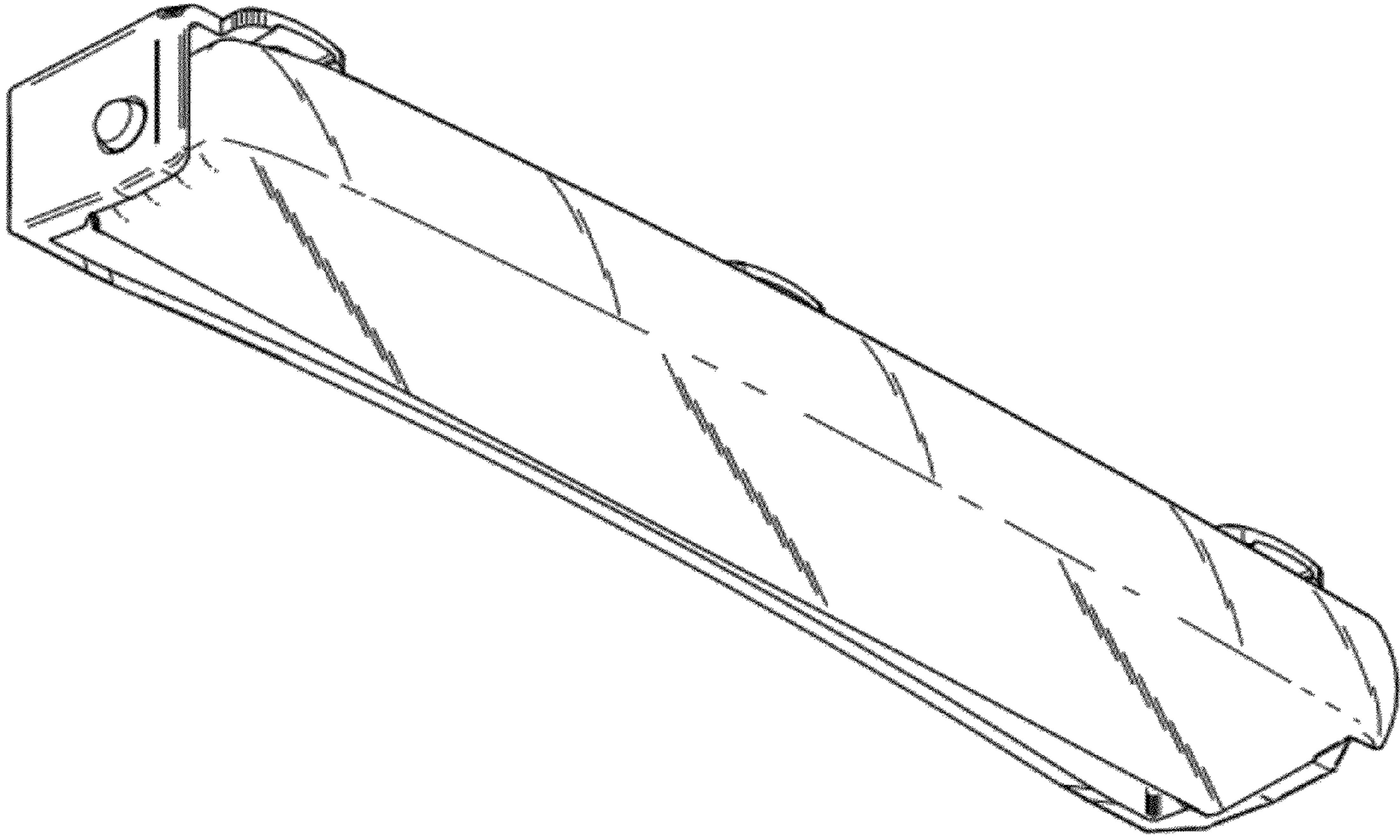


Fig. 1

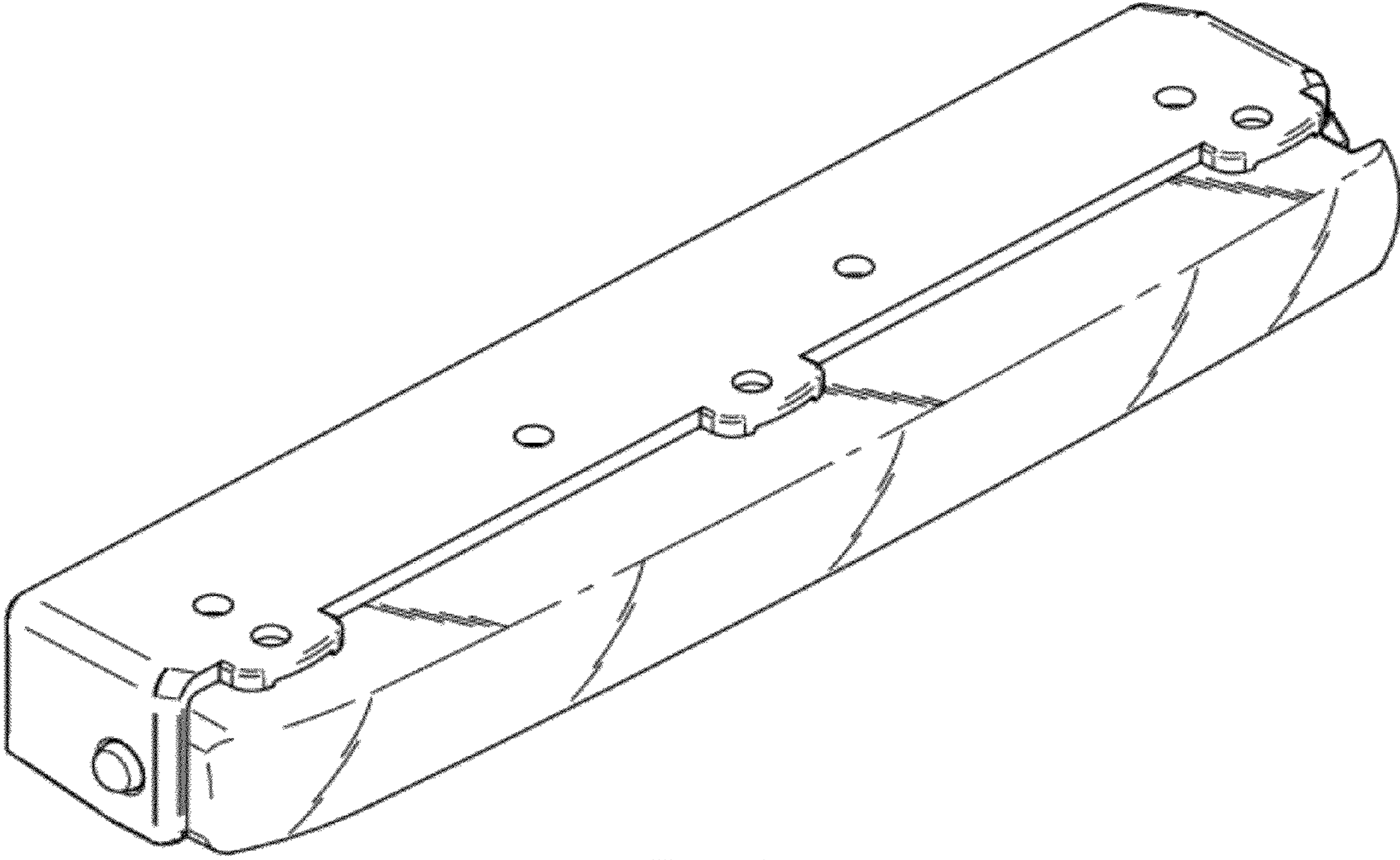


Fig. 2

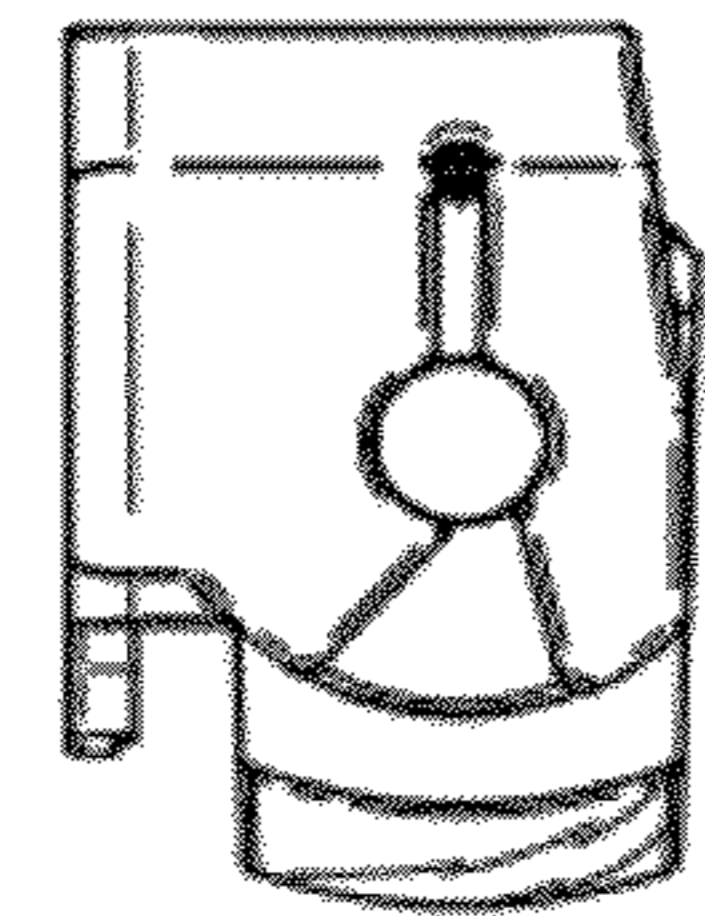


Fig. 5

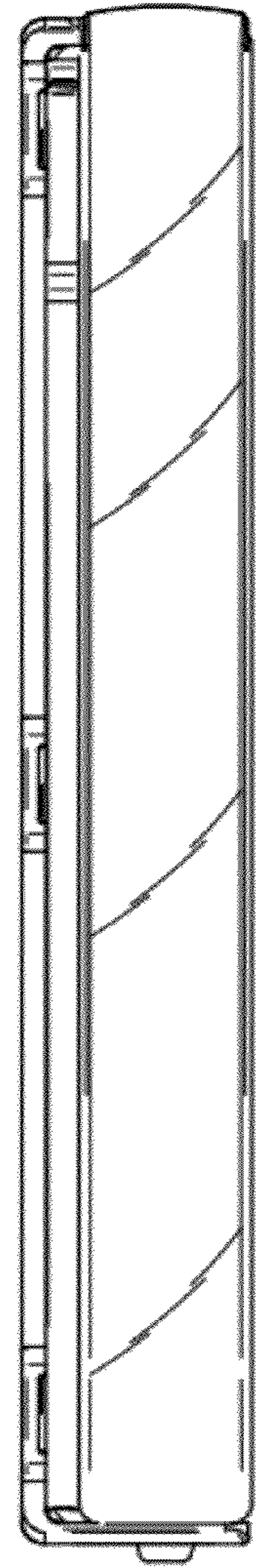


Fig. 3

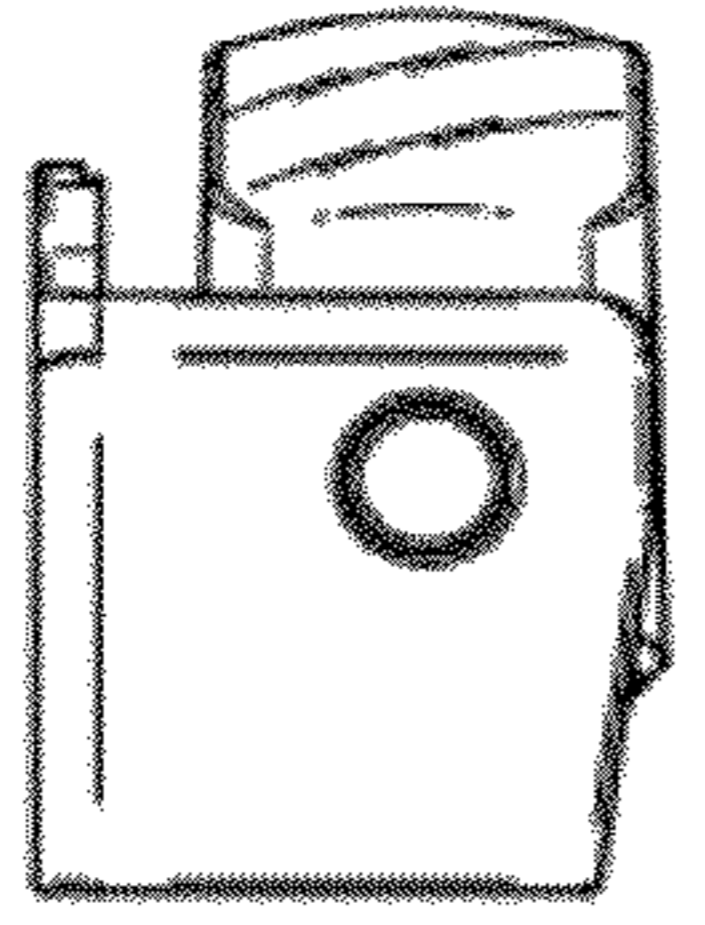


Fig. 6

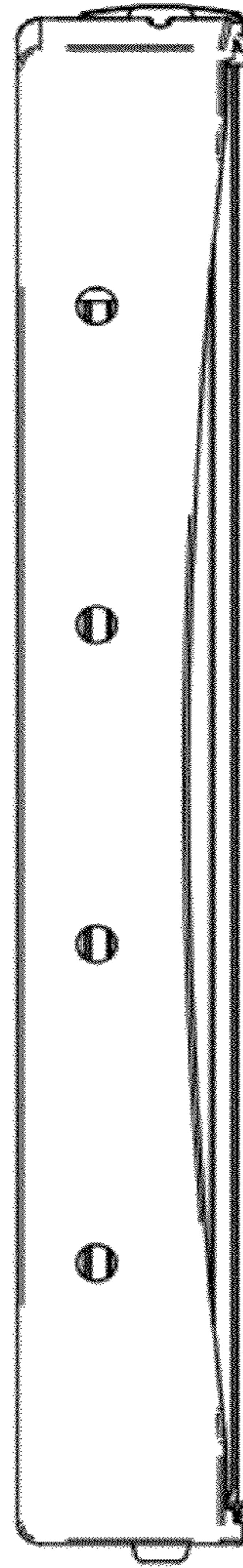


Fig. 4

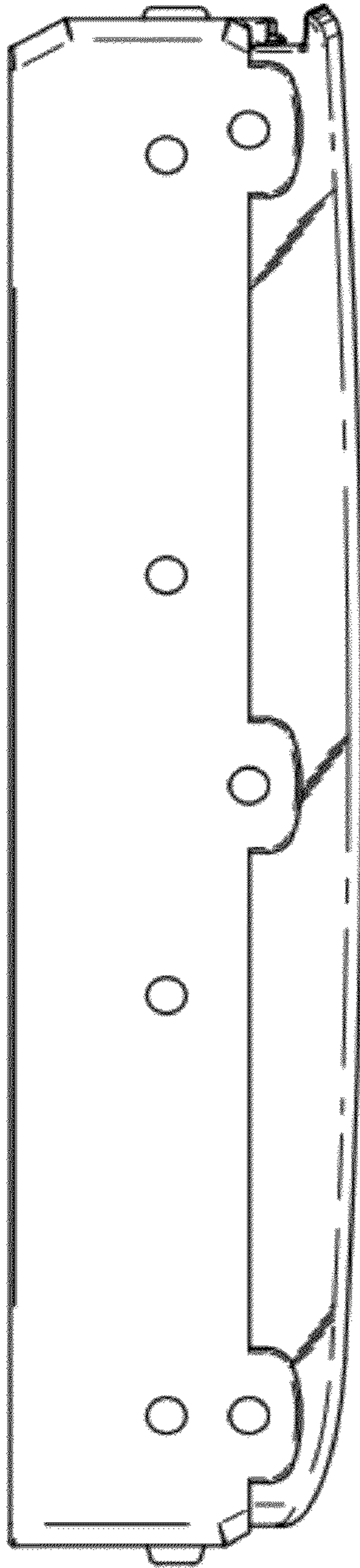


Fig. 7

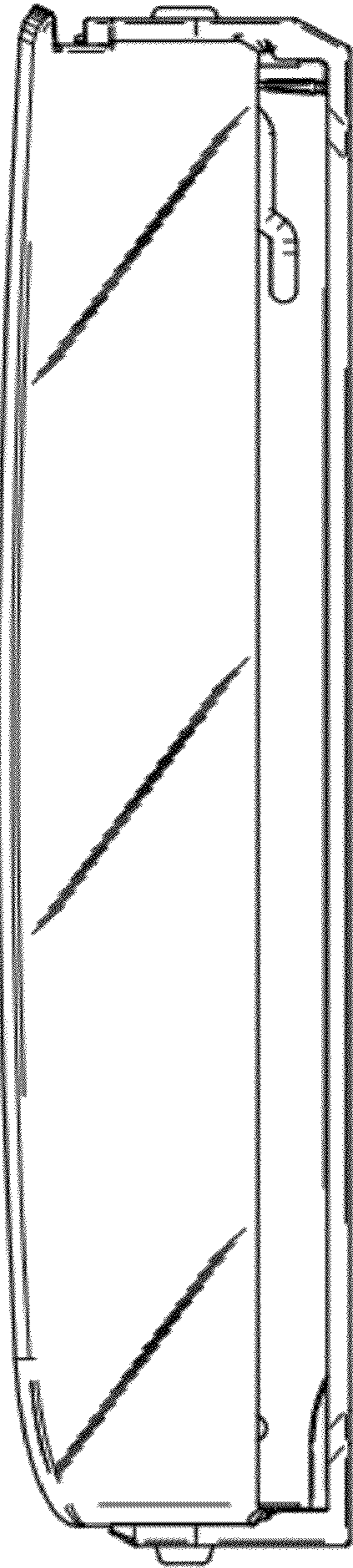


Fig. 8