

US00D663227S

(12) **United States Design Patent**
Andrew et al.

(10) **Patent No.:** **US D663,227 S**
(45) **Date of Patent:** **** Jul. 10, 2012**

(54) **LIGHT BAR**

(56) **References Cited**

(75) Inventors: **Tracy L. Andrew**, Livonia, NY (US); **J. Douglas Richardson**, Pittsford, NY (US); **Christopher D. Jacobs**, Honeoye Falls, NY (US); **Stephen T. Vukosic**, West Henrietta, NY (US)

U.S. PATENT DOCUMENTS

D564,928 S * 3/2008 Belitz et al. D10/114.4
D608,674 S * 1/2010 Lyons D10/114.4
D627,247 S * 11/2010 Shin D10/114.4

(73) Assignee: **Star Headlight & Lantern, Inc.**, Avon, NY (US)

* cited by examiner

Primary Examiner — George D Kirschbaum
(74) *Attorney, Agent, or Firm* — Kenneth J. Lukacher; Martin Lukacher

(**) Term: **14 Years**

(57) **CLAIM**
The ornamental design for a light bar, as shown and described.

(21) Appl. No.: **29/374,906**

DESCRIPTION

(22) Filed: **Oct. 21, 2011**

(51) **LOC (9) Cl.** **10-05**

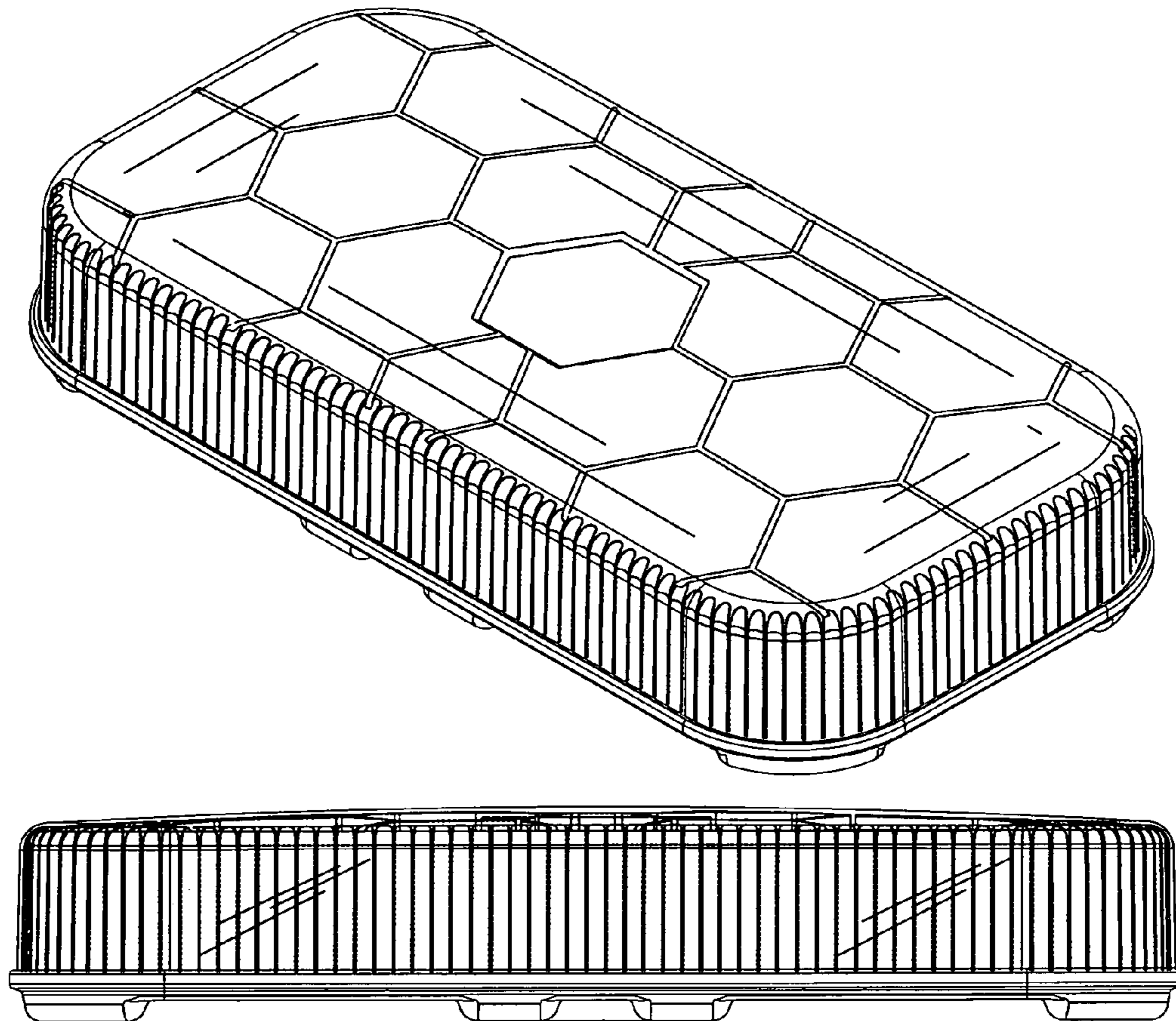
(52) **U.S. Cl.** **D10/114.4**

(58) **Field of Classification Search** ... D10/114.1-114.4;
D26/72, 74, 76; 362/184, 235, 249.06, 269;
315/86

FIG. 1 is a perspective view from the top of a light bar embodying the invention;
FIG. 2 is a top plan view thereof;
FIG. 3 is an elevational view from the front thereof, the back elevation view thereof being identical thereto;
FIG. 4 is a right end view thereof, the left end view thereof being identical thereto; and,
FIG. 5 is a bottom plan view thereof.
The dashed lines in FIG. 5 are for mounting purposes only and form no part of the claimed design.

See application file for complete search history.

1 Claim, 5 Drawing Sheets



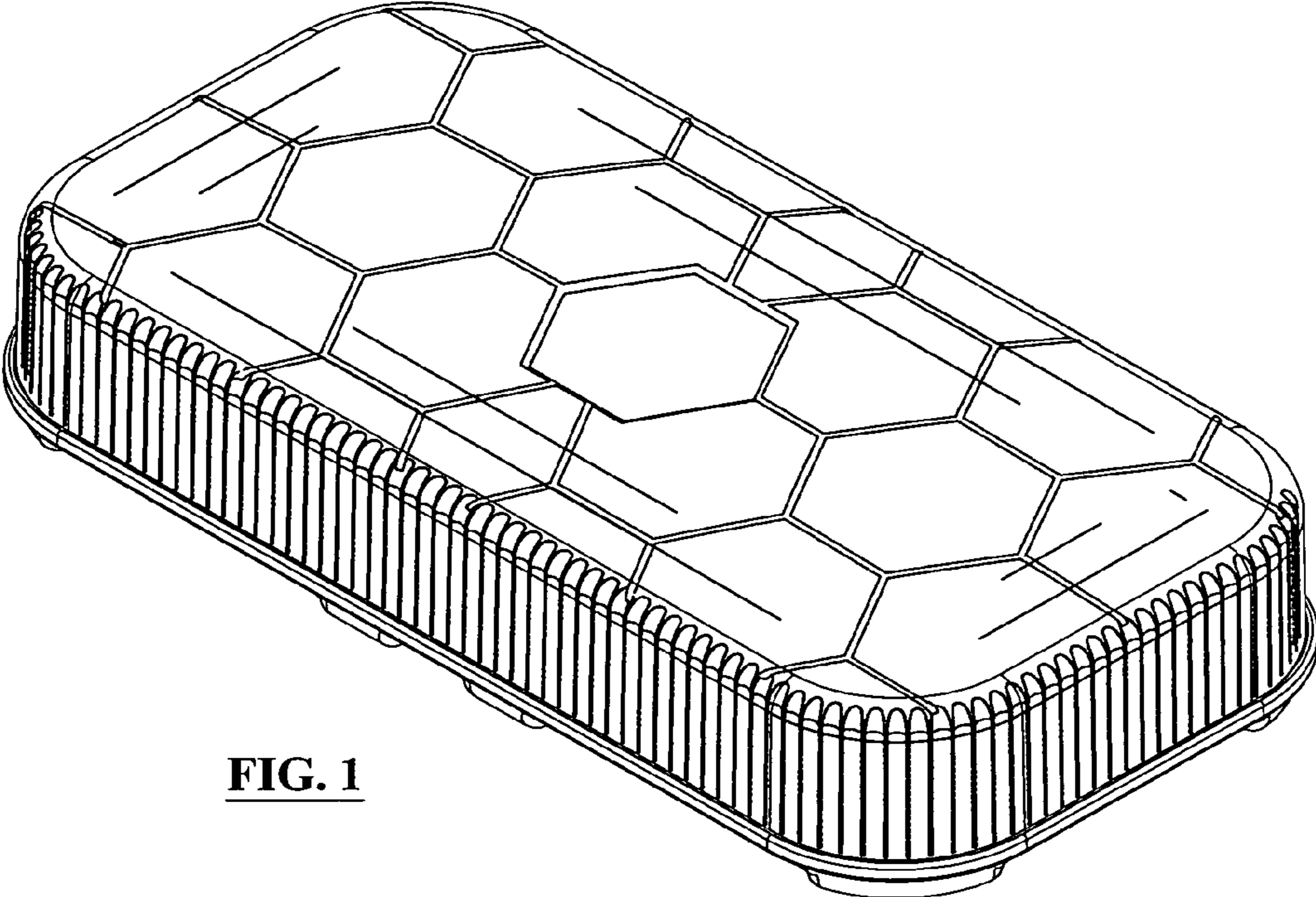


FIG. 1

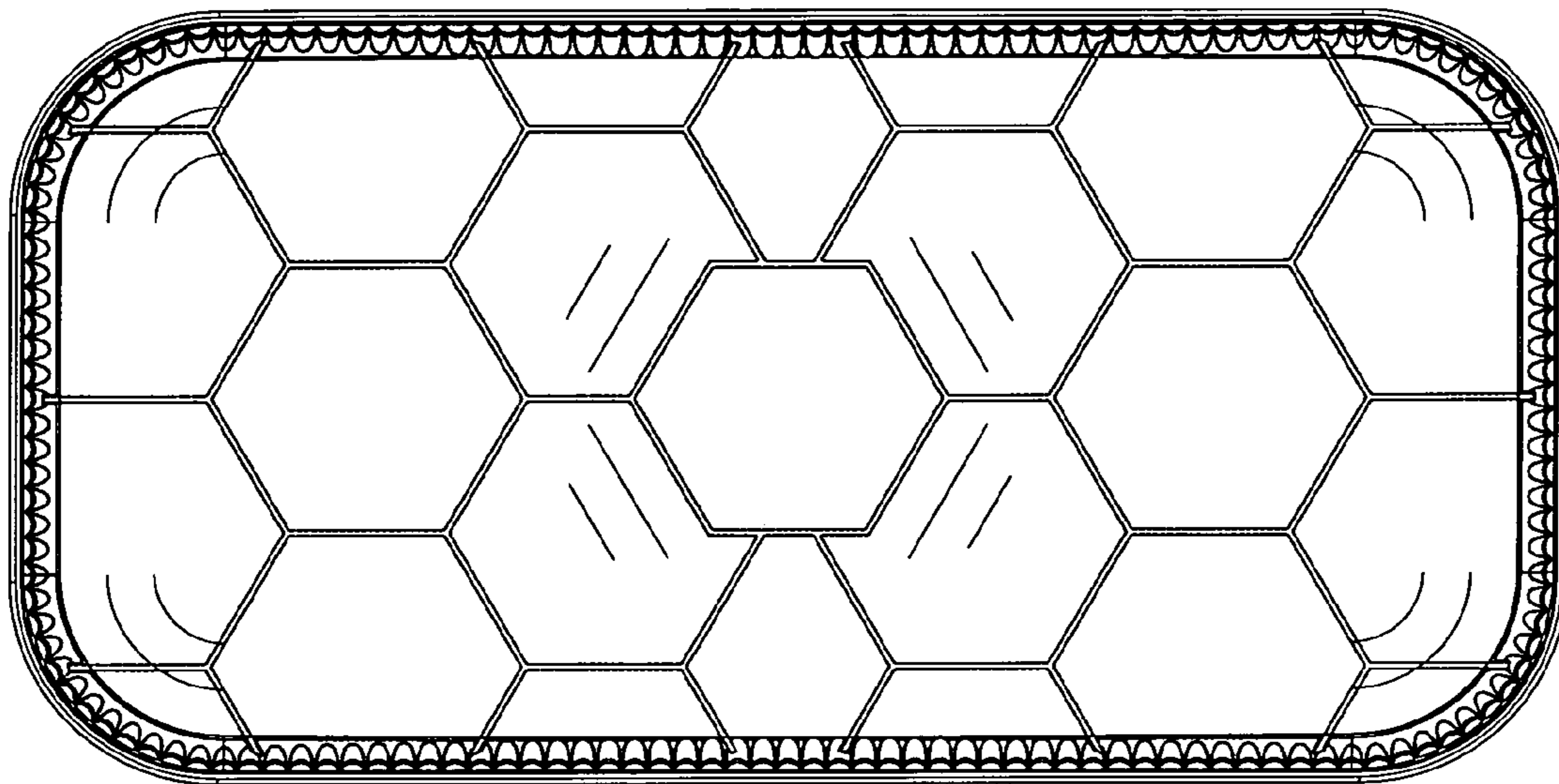


FIG. 2

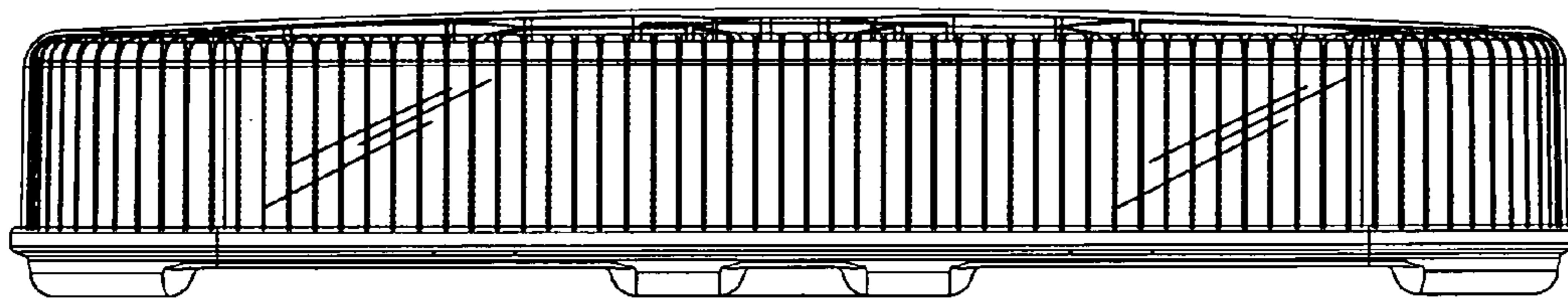


FIG. 3

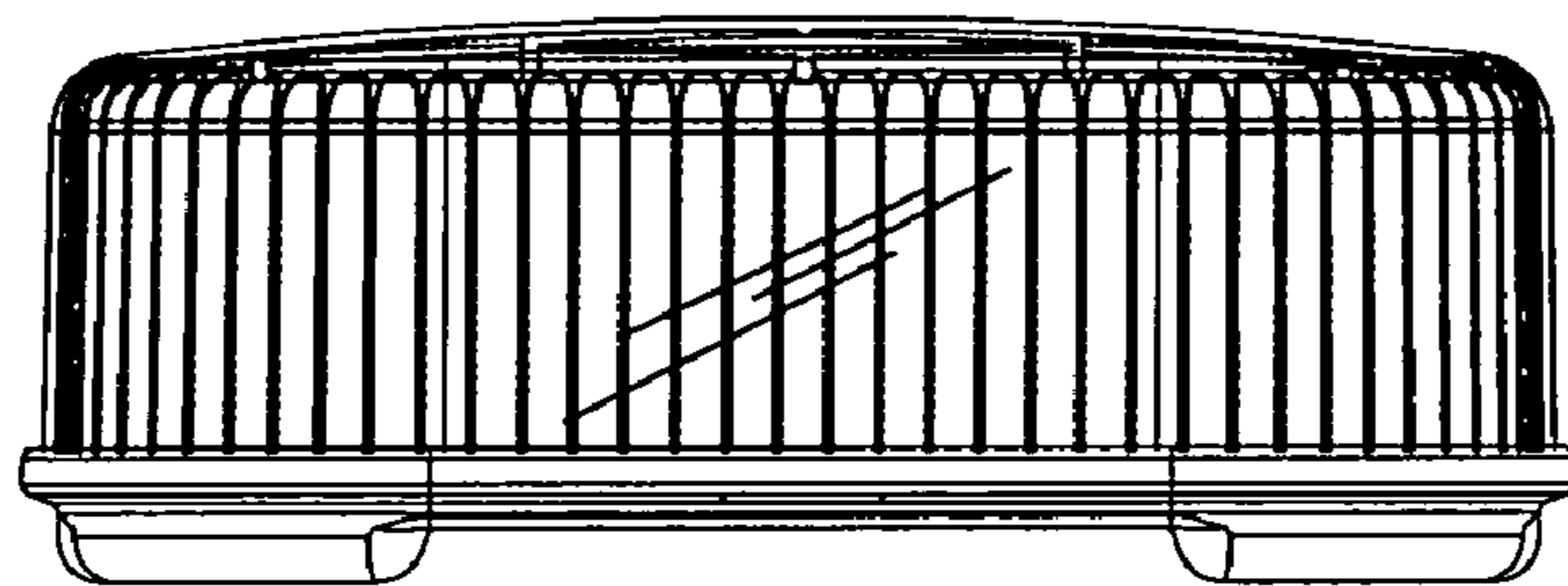


FIG. 4

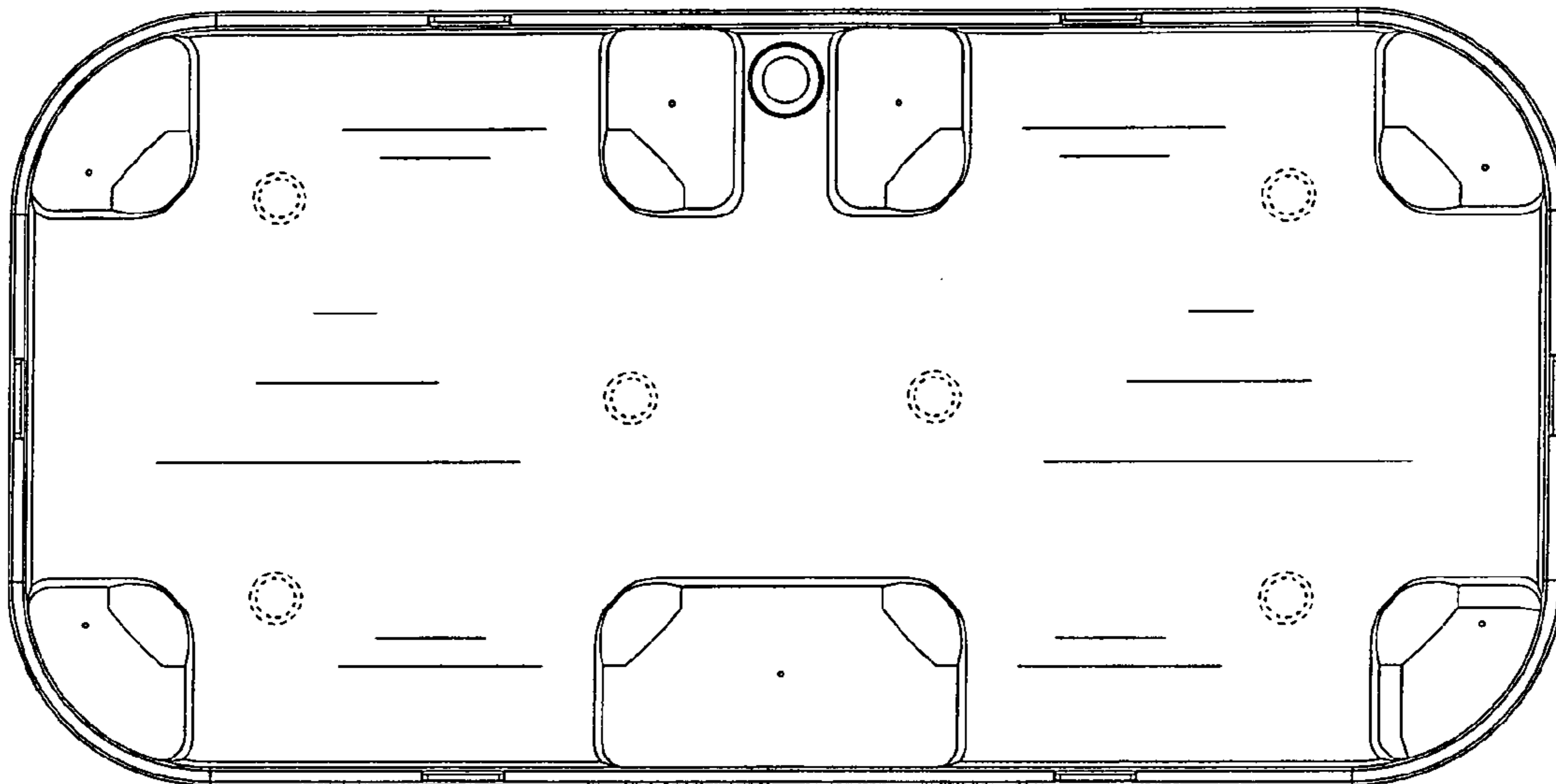


FIG. 5