

US00D663226S

(12) **United States Design Patent**
Ishii

(10) **Patent No.:** **US D663,226 S**
(45) **Date of Patent:** **** Jul. 10, 2012**

(54) **SURVEYING INSTRUMENT**

(75) Inventor: **Mitsuo Ishii**, Ageo (JP)

(73) Assignee: **Kabushiki Kaisha Topcon**, Tokyo (JP)

(**) Term: **14 Years**

(21) Appl. No.: **29/387,728**

(22) Filed: **Mar. 17, 2011**

(30) **Foreign Application Priority Data**

Feb. 15, 2011 (JP) 2011-003112

(51) **LOC (9) Cl.** **10-04**

(52) **U.S. Cl.** **D10/66; D10/69**

(58) **Field of Classification Search** D10/66,
D10/69, 70; 33/276, 277, 281, 285, 286,
33/290, 291-299, DIG. 21; 340/539, 825.36,
340/825.46, 825.49; 356/5.15, 4.01, 5.01,
356/4.05, 5.05-5.09, 5.12, 28.5, 345, 375,
356/3.01, 128-155, 399-400; 385/83, 97-99,
385/134-139; 701/211-213, 150, 158;
264/1.24-1.25

See application file for complete search history.

(56) **References Cited**

U.S. PATENT DOCUMENTS

D333,276 S * 2/1993 Donn D10/66
D386,993 S * 12/1997 Fujii et al. D10/66

6,427,347 B1 * 8/2002 Butler, Sr. 33/286
6,573,981 B2 * 6/2003 Kumagai et al. 356/4.08
D596,515 S * 7/2009 Nakamura et al. D10/66
7,784,192 B2 * 8/2010 Jancic et al. 33/286
8,056,245 B2 * 11/2011 Cranton et al. 33/263

OTHER PUBLICATIONS

AT-B series Auto Level Topcon Brochure 2010.

* cited by examiner

Primary Examiner — Antoine D Davis

(74) *Attorney, Agent, or Firm* — Wenderoth, Lind & Ponack,
L.L.P.

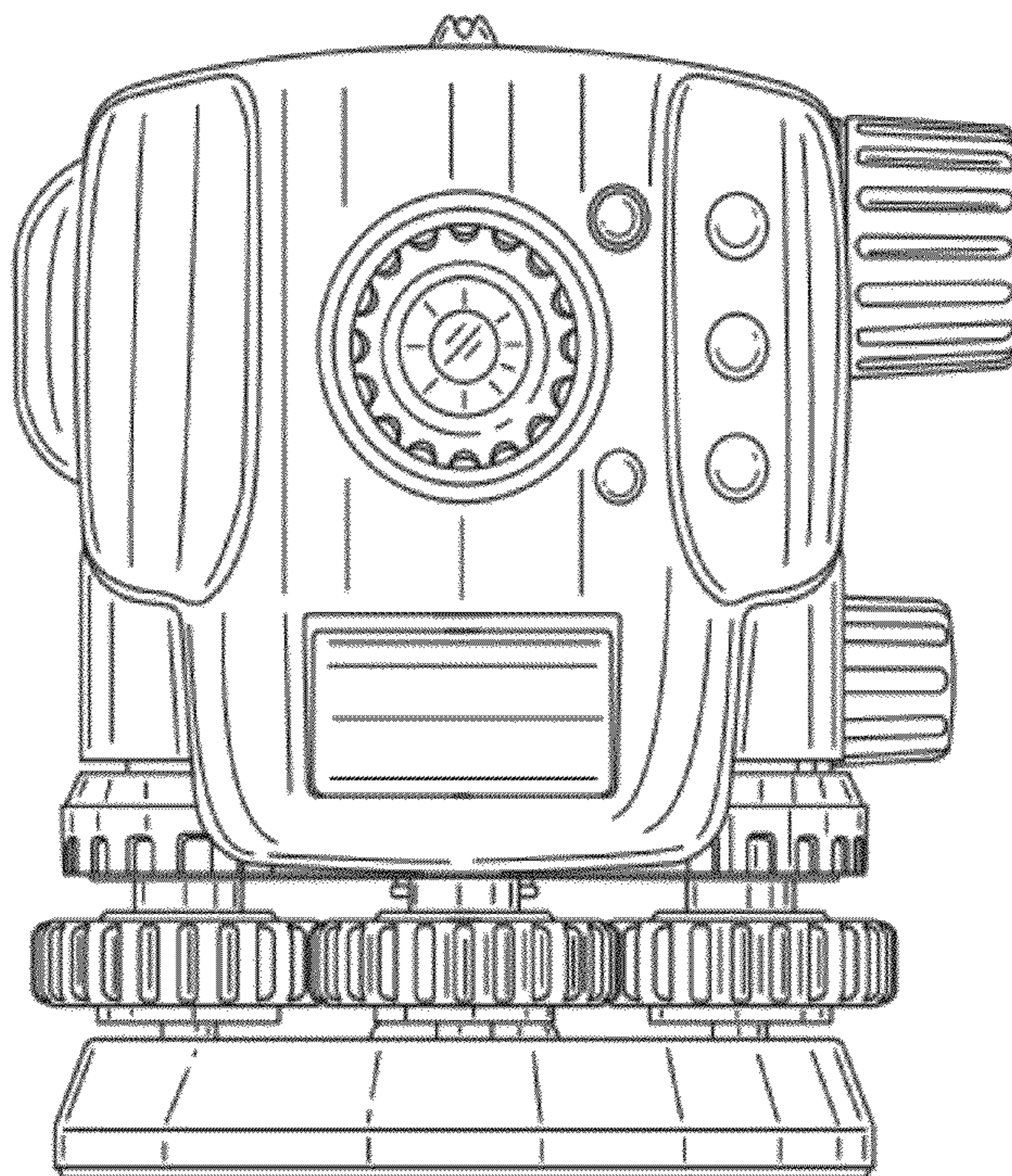
(57) **CLAIM**

The ornamental design for a surveying instrument, as shown
and described.

DESCRIPTION

FIG. 1 is a front elevational view of a surveying instrument;
FIG. 2 is a rear elevational view thereof;
FIG. 3 is a left side elevational view thereof;
FIG. 4 is a right side elevational view thereof;
FIG. 5 is a top plan view thereof;
FIG. 6 is a bottom plan view thereof;
FIG. 7 is a right side perspective view thereof; and,
FIG. 8 is a left side perspective view thereof.
Features on the bottom of the surveying instrument and
shown in broken lines are hereby disclaimed and thus form no
part of the claimed design.

1 Claim, 7 Drawing Sheets



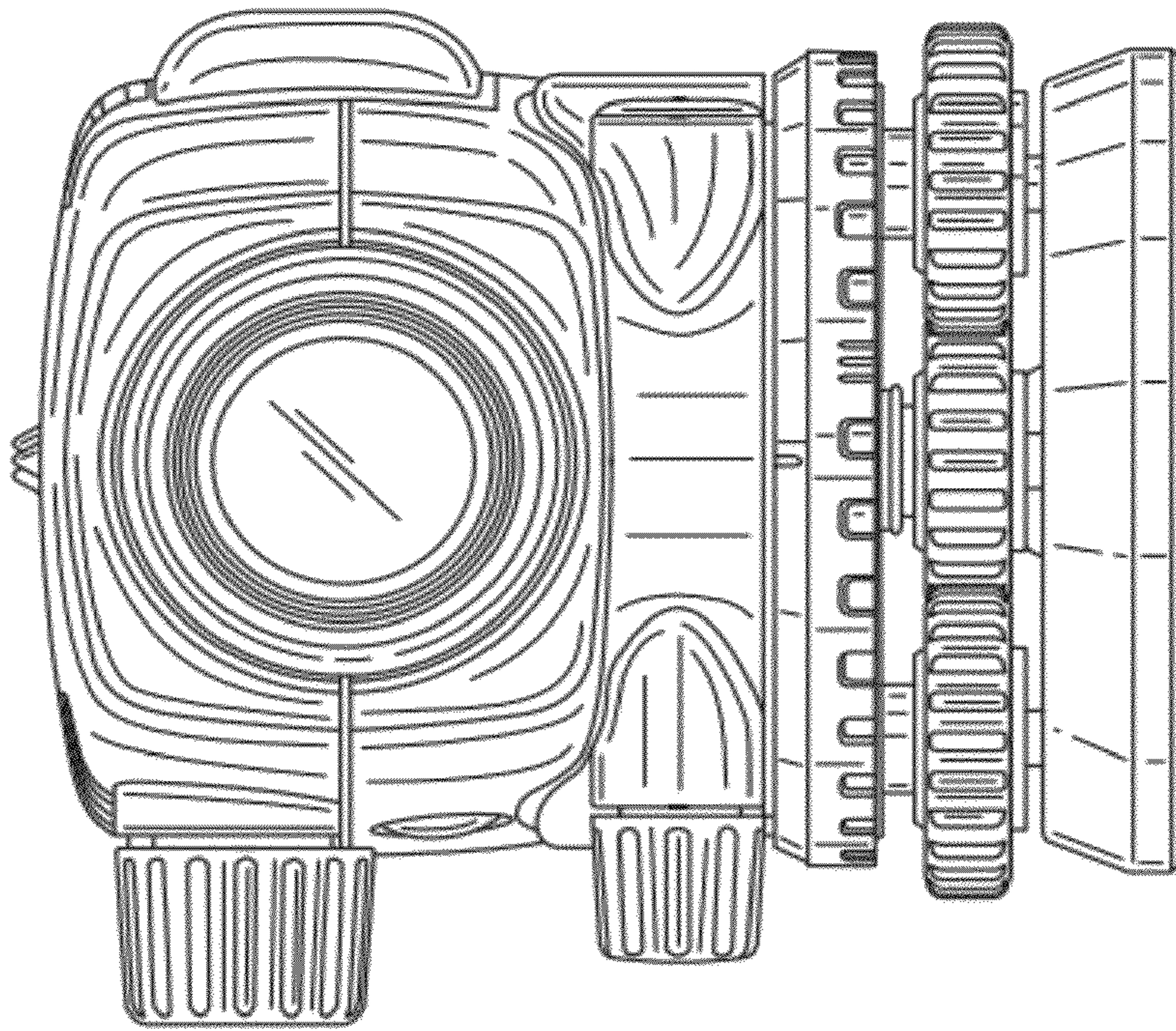


FIG. 1

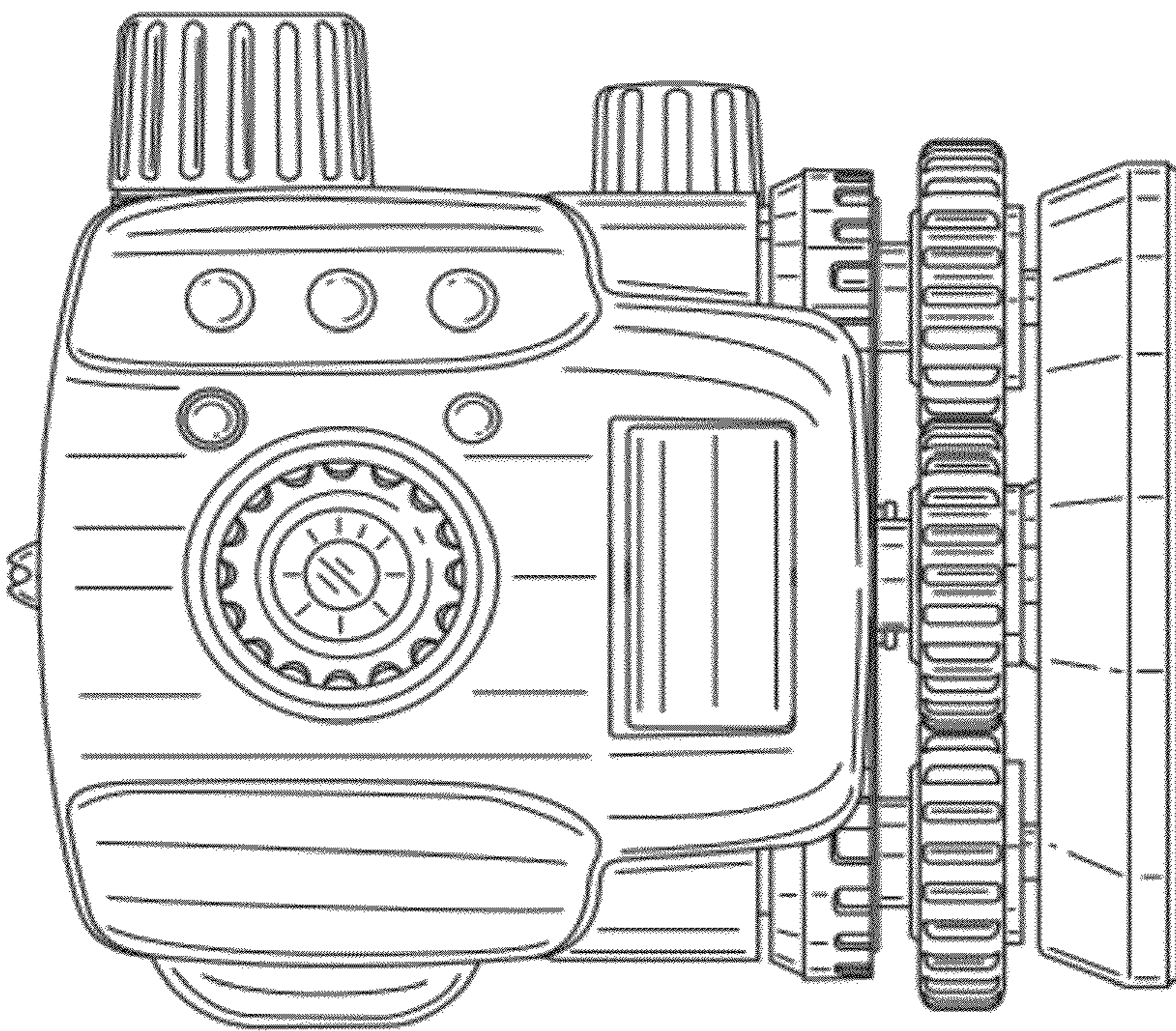


FIG. 2

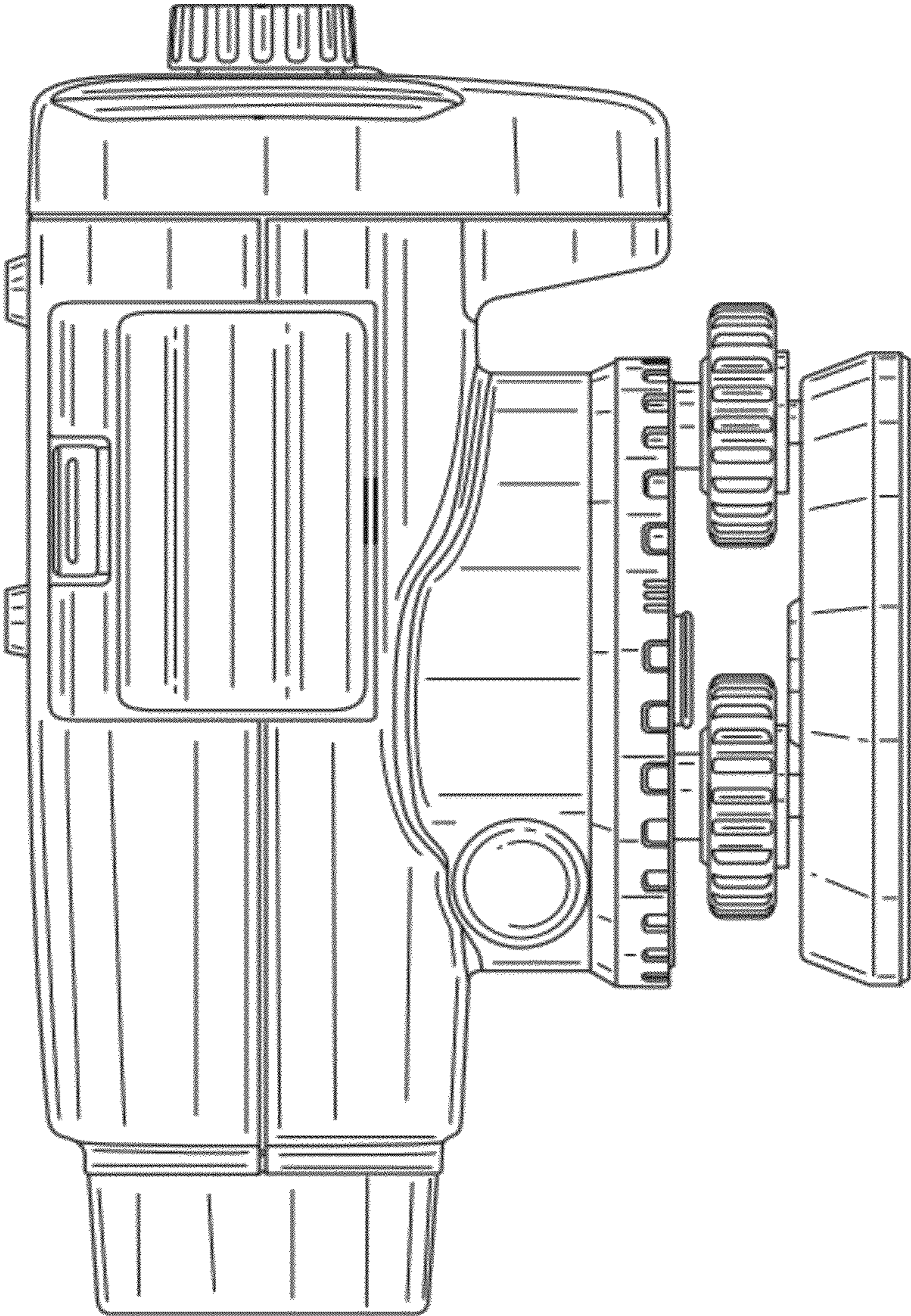


FIG. 3

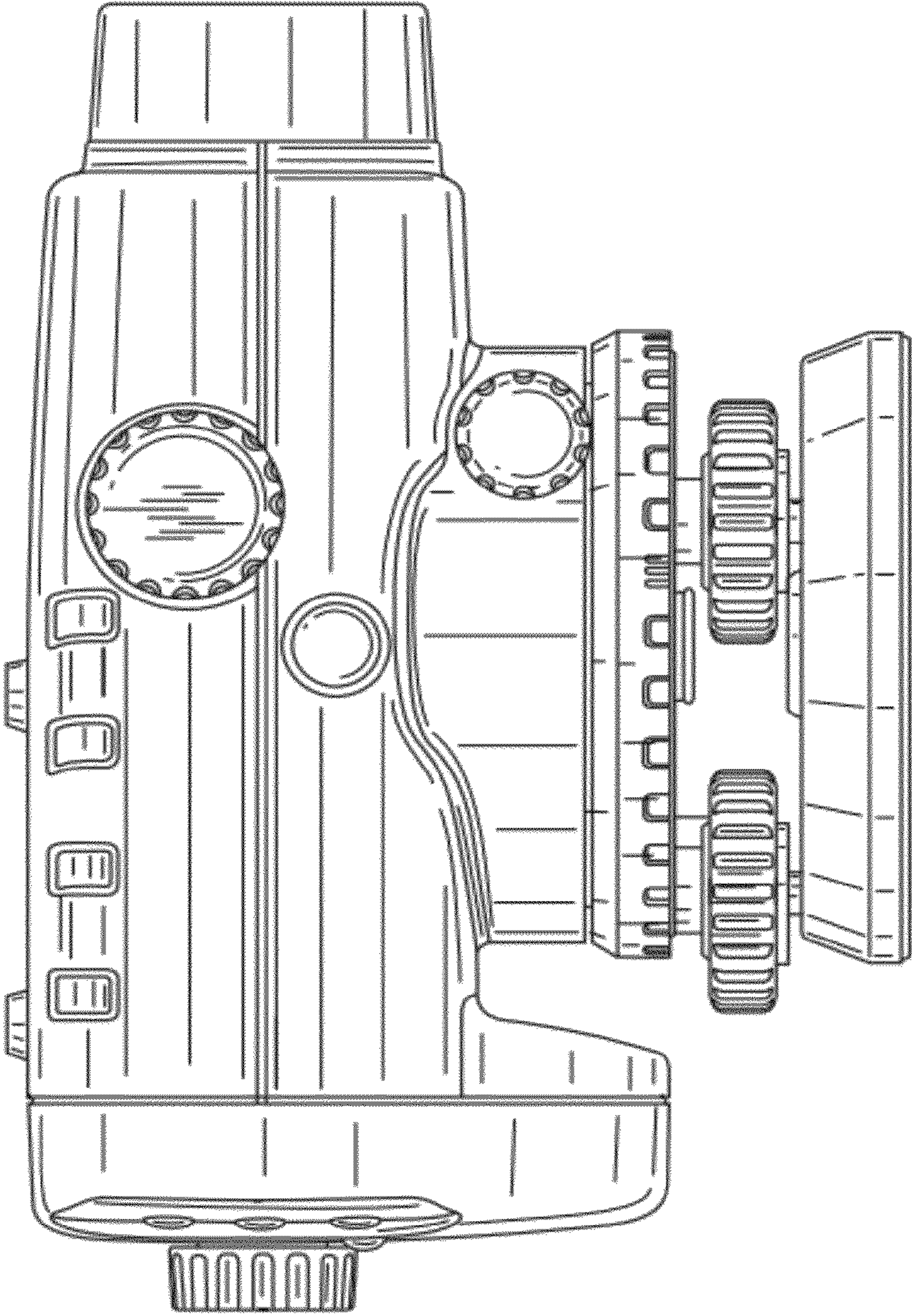


FIG. 4

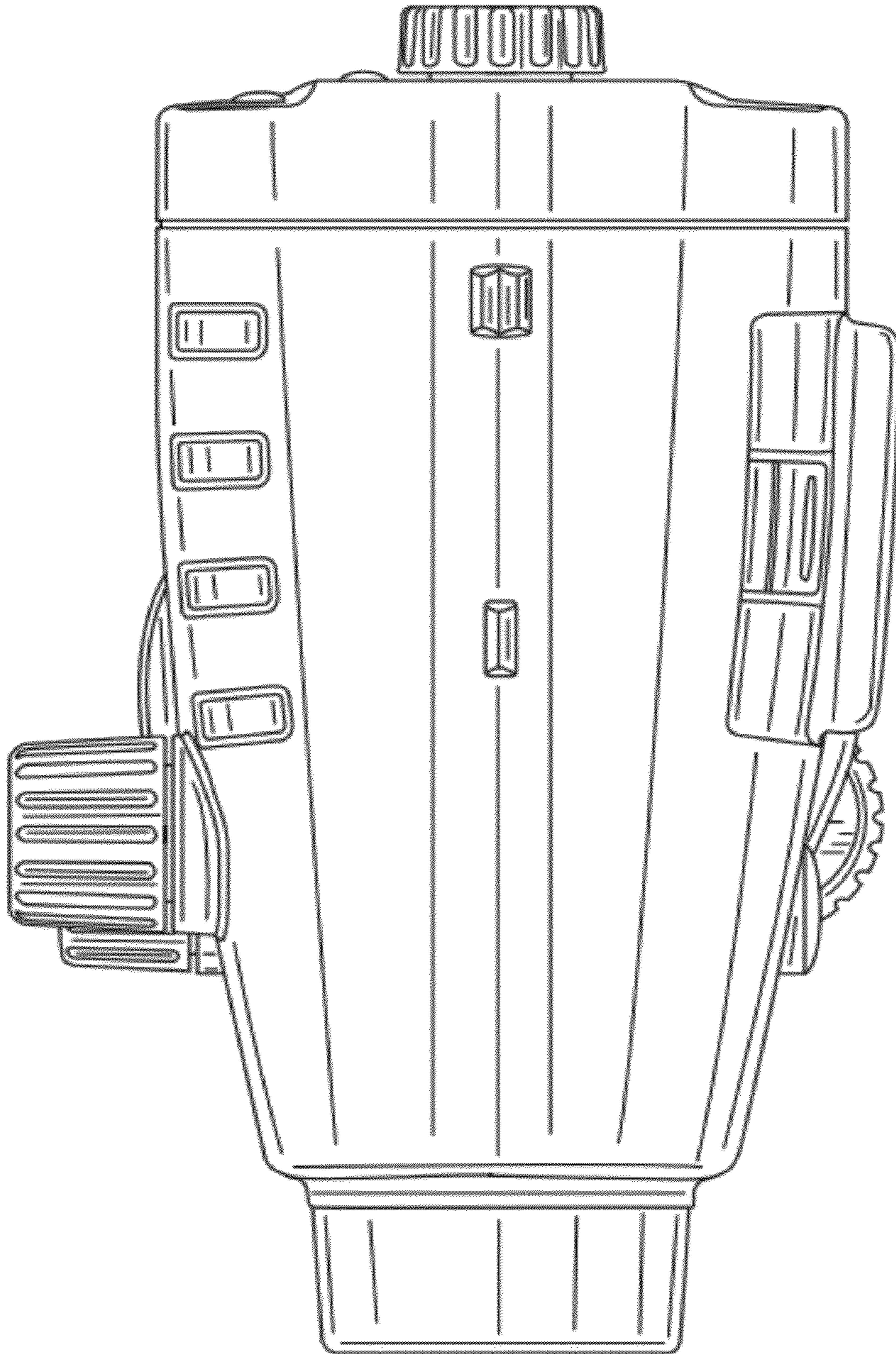


FIG. 5

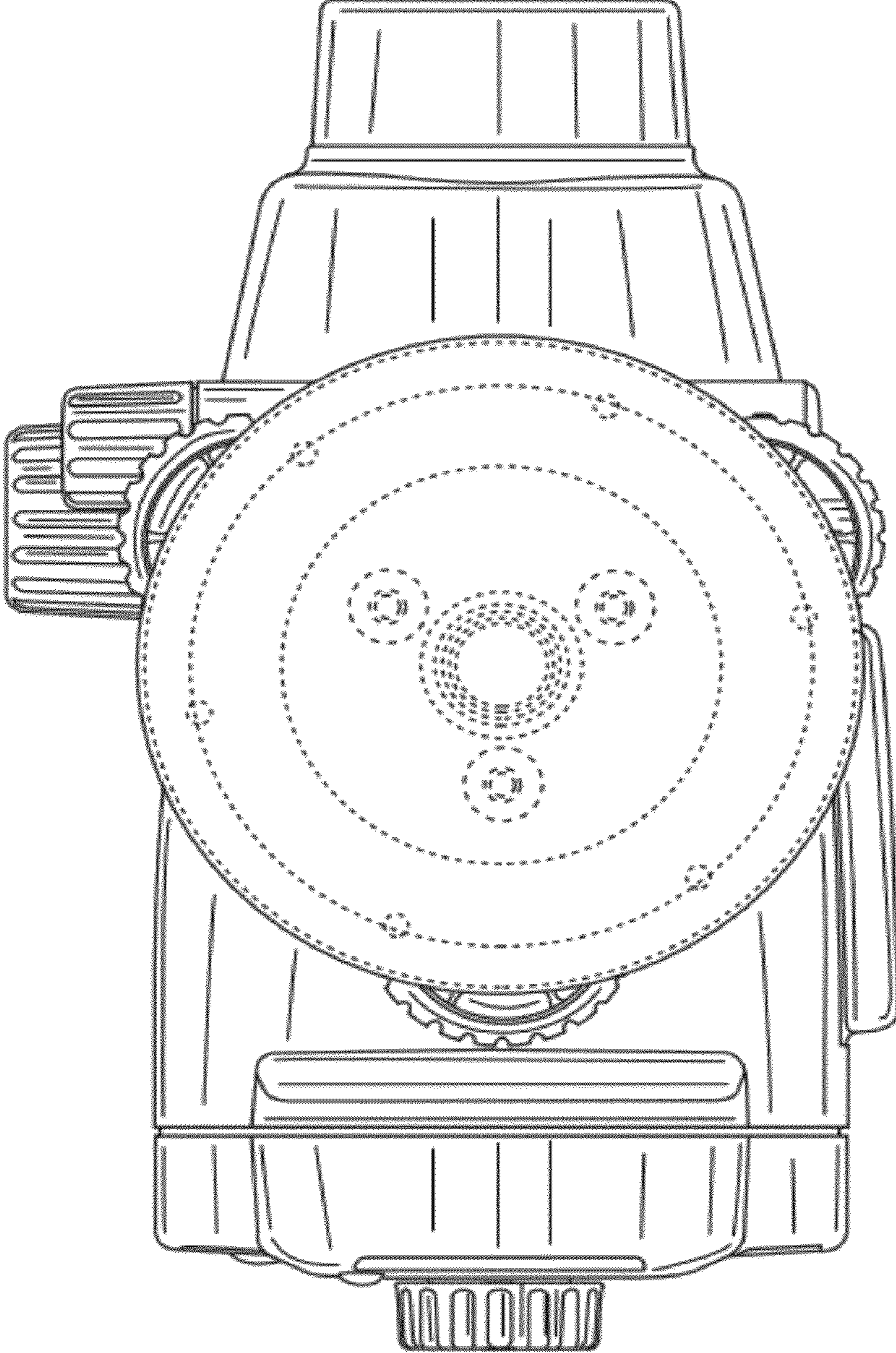


FIG. 6

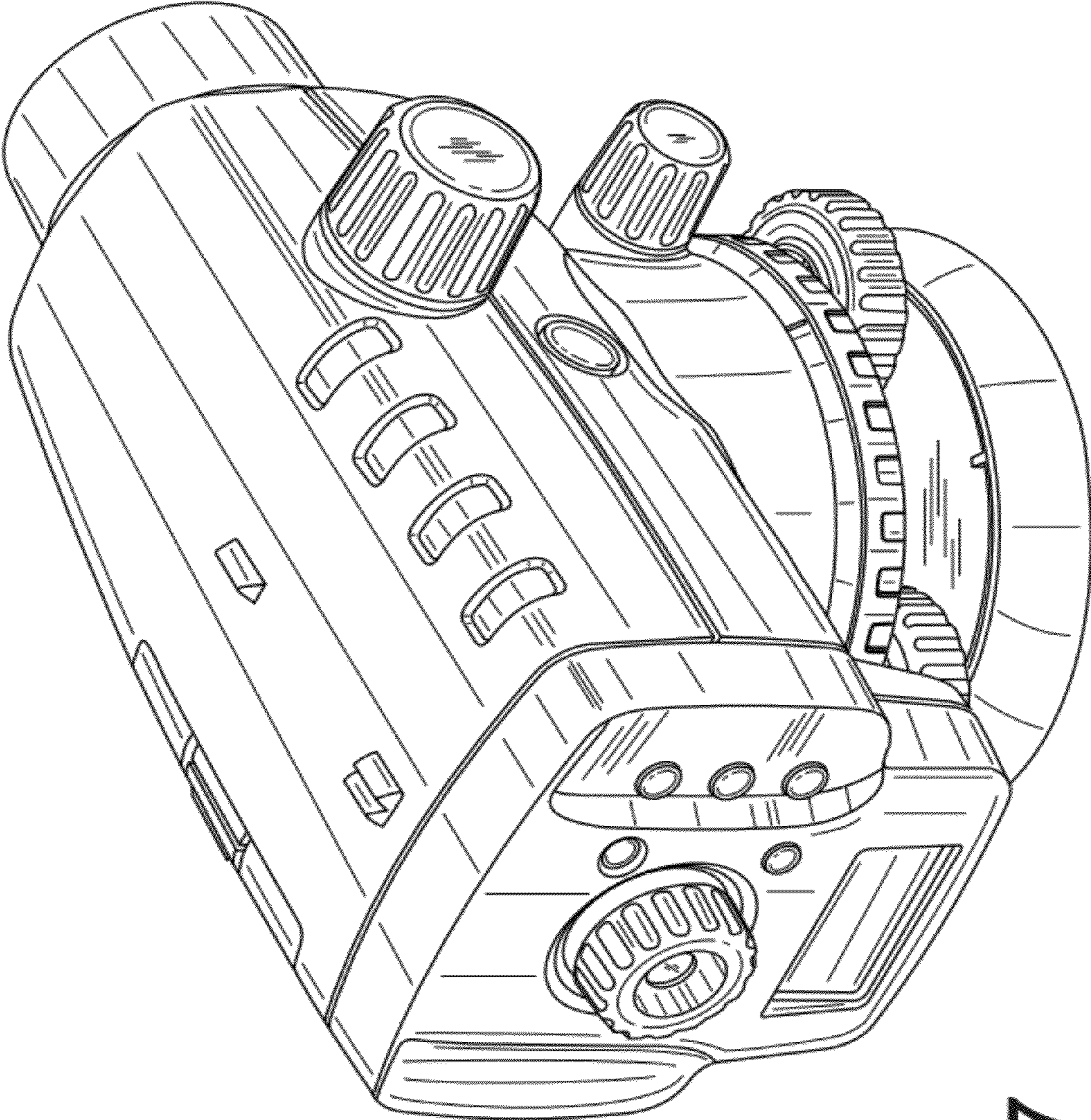


FIG. 7

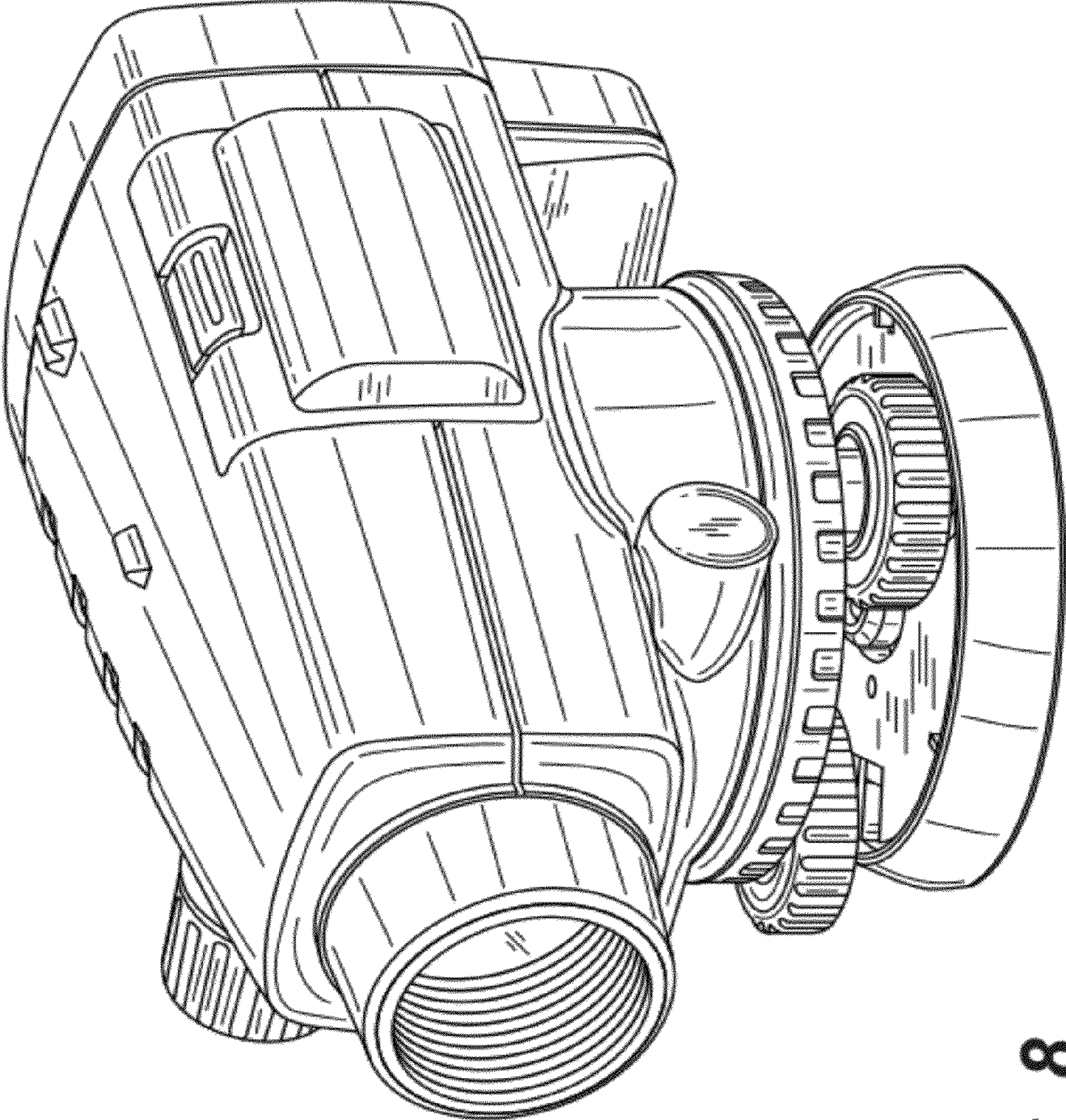


FIG. 8