



US00D663222S

(12) **United States Design Patent**
Nakai et al.

(10) **Patent No.:** **US D663,222 S**
(45) **Date of Patent:** **** Jul. 10, 2012**

(54) **WRIST WATCH**

(75) Inventors: **Toshio Nakai**, Oume (JP); **Seiji Syoubayashi**, Kunitachi (JP)

(73) Assignee: **Casio Computer Co., Ltd.**, Tokyo (JP)

(**) Term: **14 Years**

(21) Appl. No.: **29/407,010**

(22) Filed: **Nov. 22, 2011**

(30) **Foreign Application Priority Data**

May 25, 2011 (CN) 2011 3 0147241

(51) **LOC (9) Cl.** **10-02**

(52) **U.S. Cl.** **D10/39**

(58) **Field of Classification Search** D10/30-39,
D10/122-132; 368/276, 281, 282, 80, 223,
368/228, 232

See application file for complete search history.

(56) **References Cited**

U.S. PATENT DOCUMENTS

D327,445 S *	6/1992	Fujihara	D10/39
D356,042 S *	3/1995	Nakanishi	D10/39
D378,198 S *	2/1997	Tomita et al.	D10/38
D402,566 S *	12/1998	Moriai	D10/30
D418,761 S *	1/2000	Iwamoto	D10/30
D426,778 S *	6/2000	Kojima	D10/30
D427,917 S *	7/2000	Hanagata	D10/30
D429,467 S *	8/2000	Kojima	D10/30
D443,529 S *	6/2001	Oshita	D10/30
D451,823 S *	12/2001	Moriai	D10/30

D451,825 S *	12/2001	Hanagata	D10/30
D497,109 S *	10/2004	Itsubo	D10/30
D504,829 S *	5/2005	Moriai	D10/30
D526,213 S *	8/2006	Moriai et al.	D10/38
D526,575 S *	8/2006	Shiraishi et al.	D10/38
D526,576 S *	8/2006	Shiraishi et al.	D10/38
D526,578 S *	8/2006	Ikezu et al.	D10/38
D527,282 S *	8/2006	Nakai et al.	D10/38
D551,993 S *	10/2007	Kachi	D10/38
D559,124 S *	1/2008	Modolo	D10/32
D619,909 S *	7/2010	Moriai et al.	D10/39
D649,482 S *	11/2011	Vaptzarof	D10/39

* cited by examiner

Primary Examiner — Lucy Lieberman

(74) *Attorney, Agent, or Firm* — Holtz, Holtz, Goodman & Chick, PC

(57) **CLAIM**

The ornamental design for a wrist watch, as shown and described.

DESCRIPTION

FIG. 1 is a front, right side, bottom perspective view of a wrist watch showing our new design;

FIG. 2 is a front elevational view thereof;

FIG. 3 is a rear elevational view thereof;

FIG. 4 is a left side view thereof;

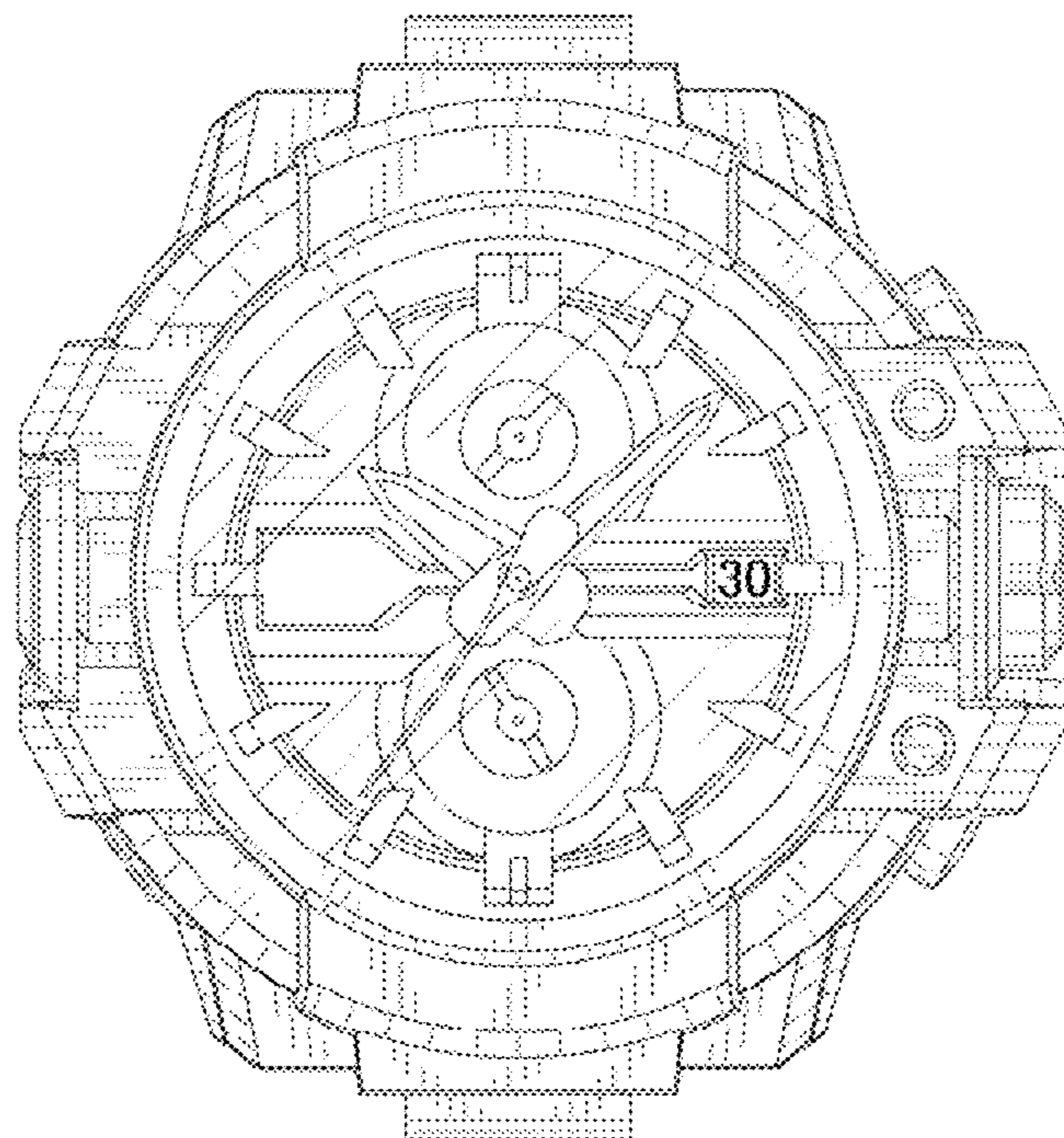
FIG. 5 is a right side view thereof;

FIG. 6 is a top plan view thereof; and,

FIG. 7 is a bottom plan view thereof.

The broken line portions of the drawings are for illustrative purposes only and form no part of the claimed design.

1 Claim, 6 Drawing Sheets



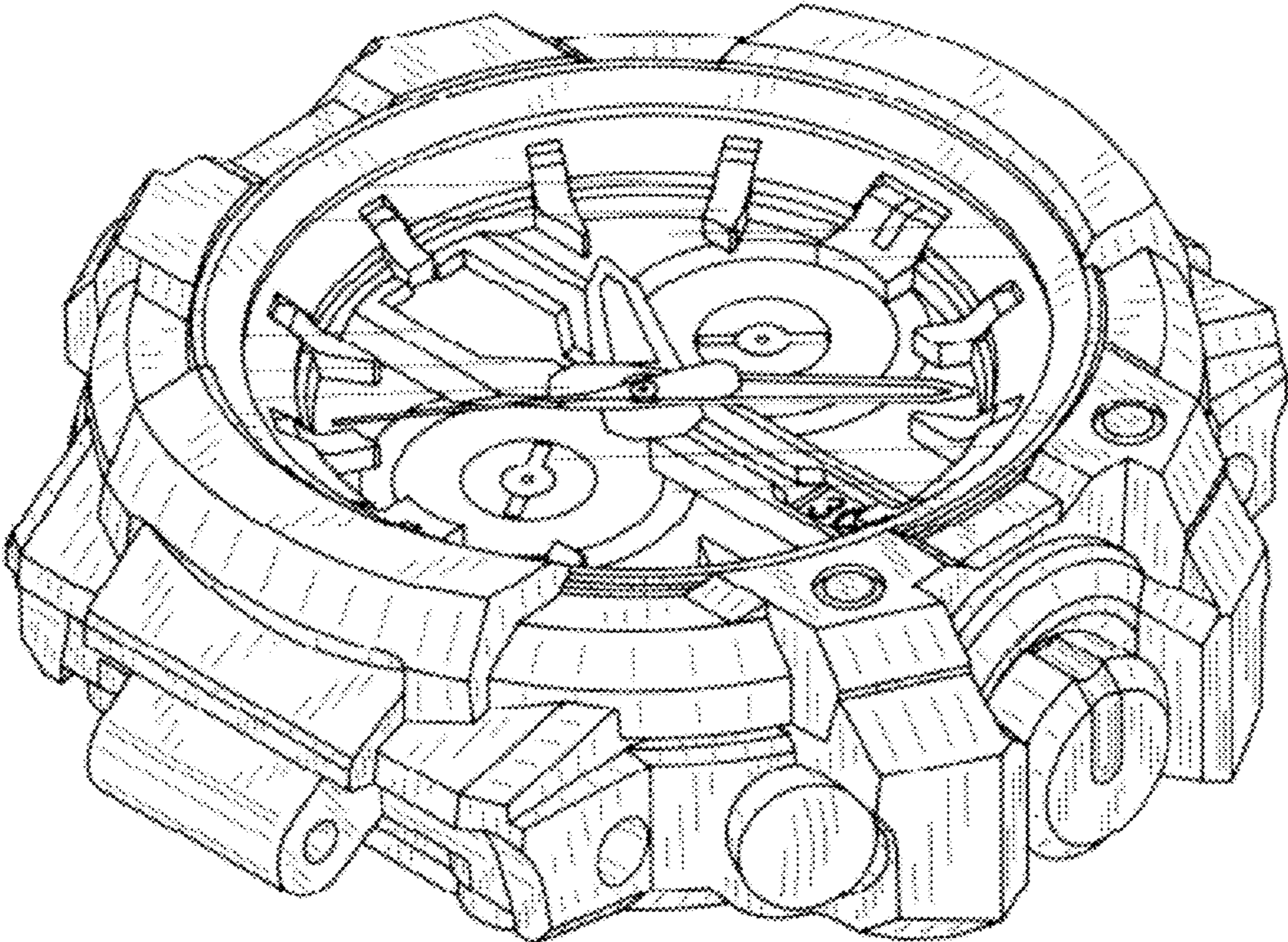


FIG. 1

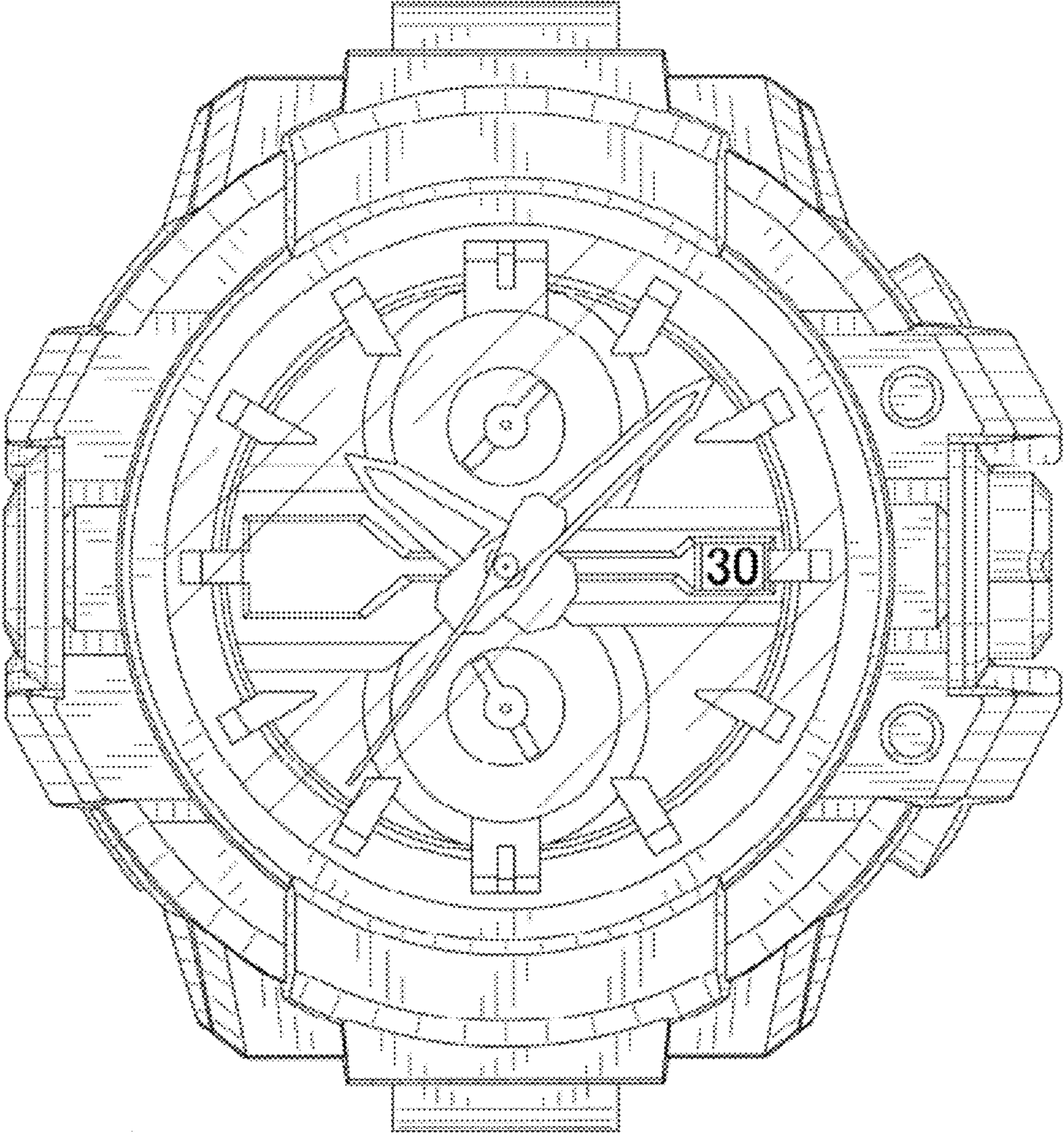


FIG. 2

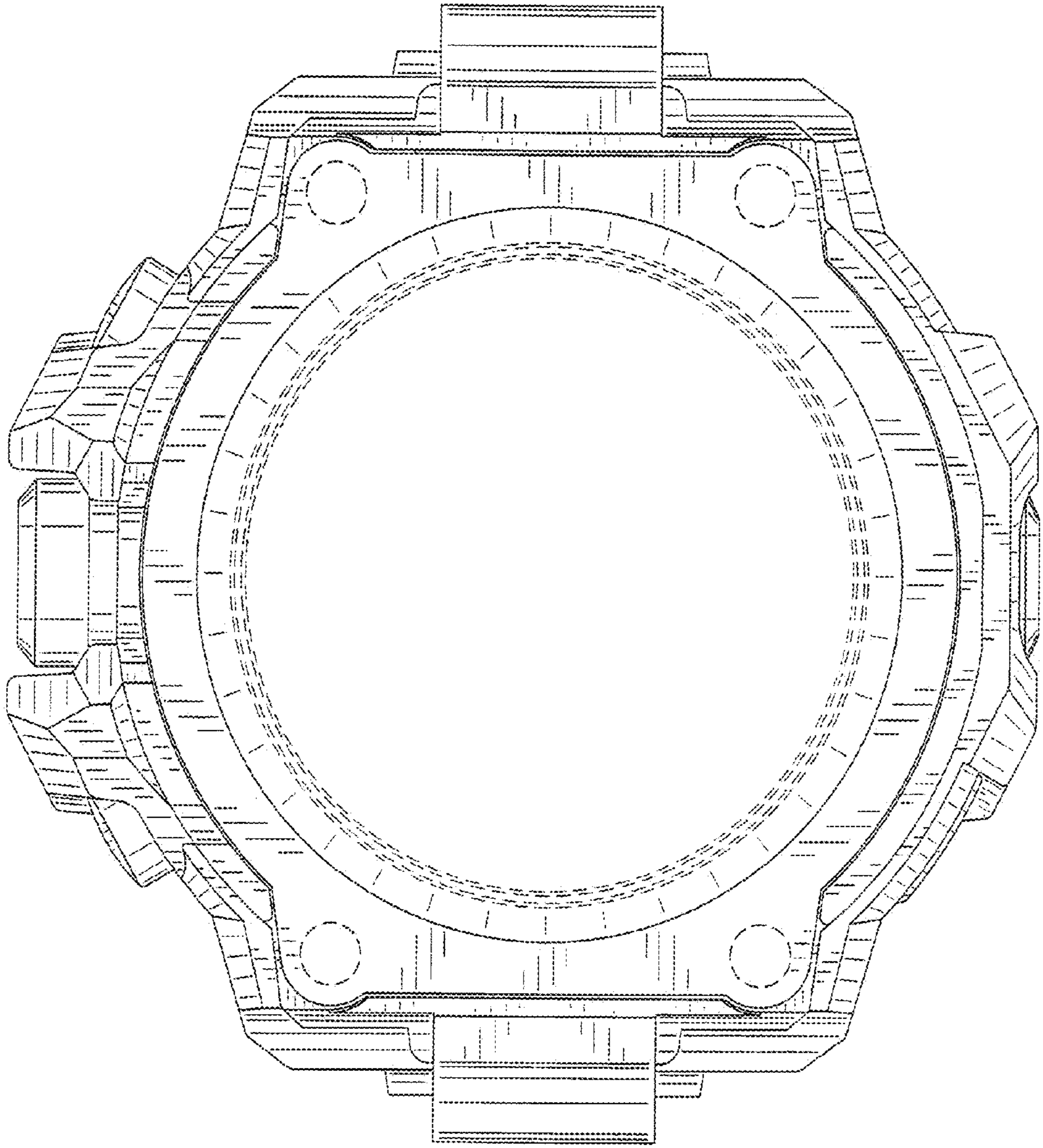


FIG. 3

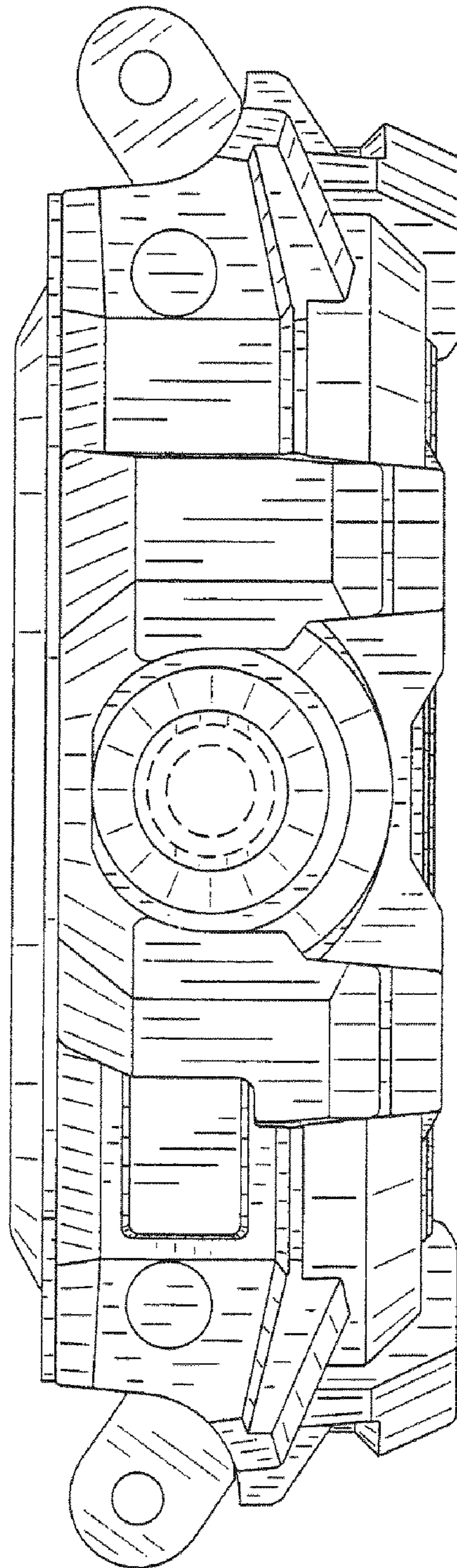


FIG. 4

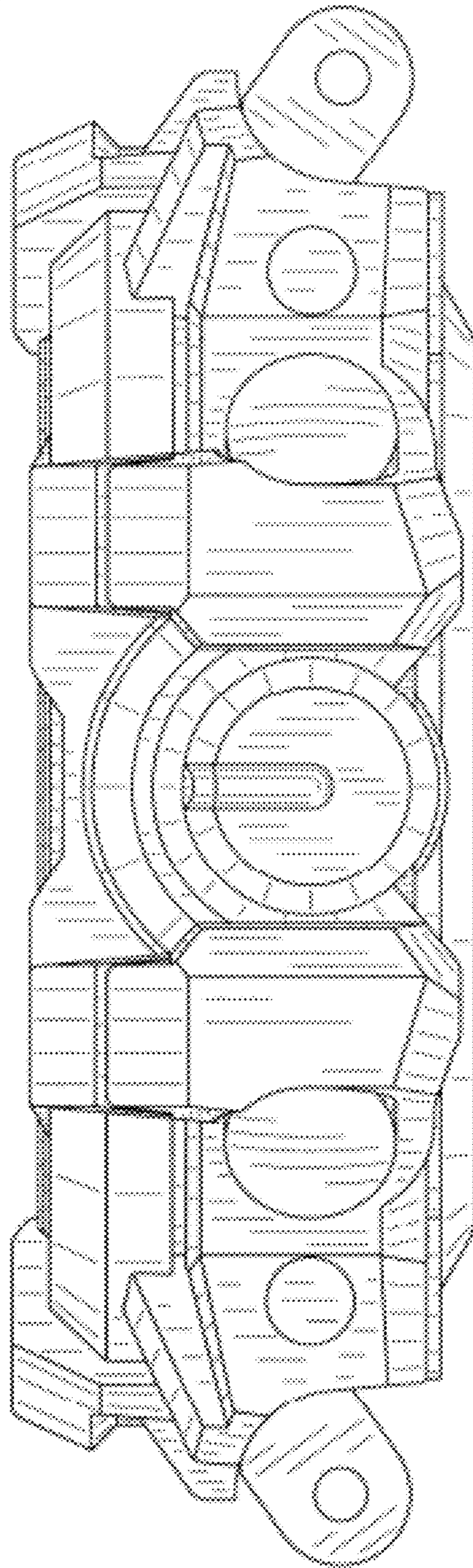


FIG. 5

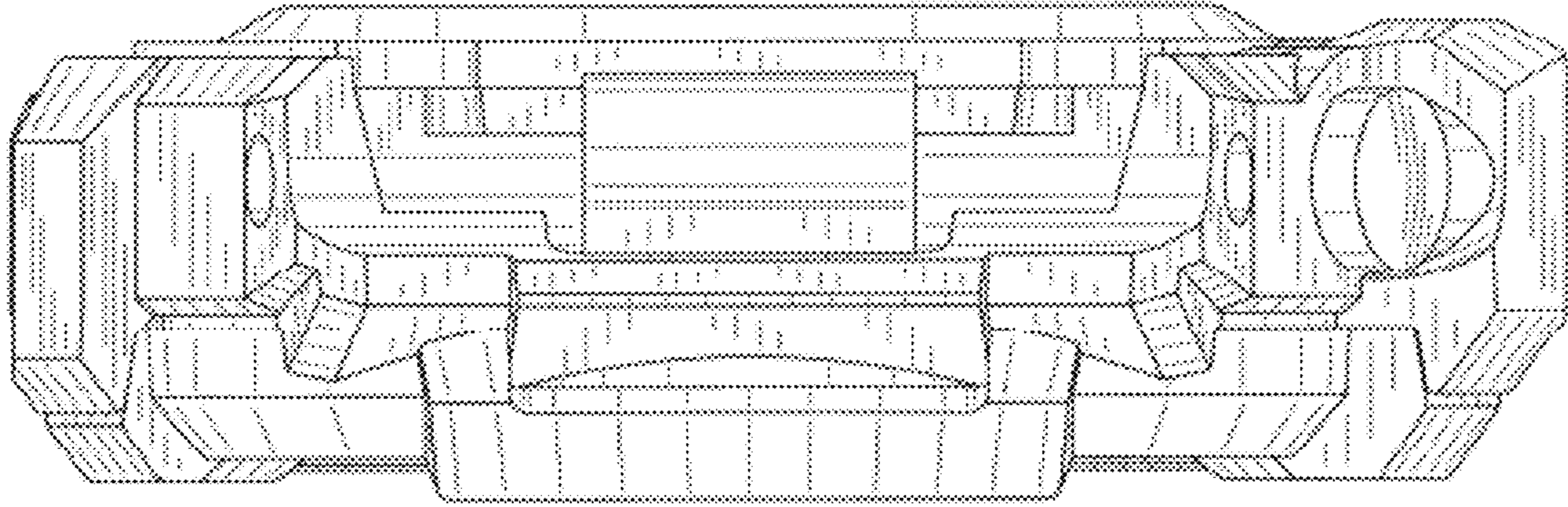


FIG. 6

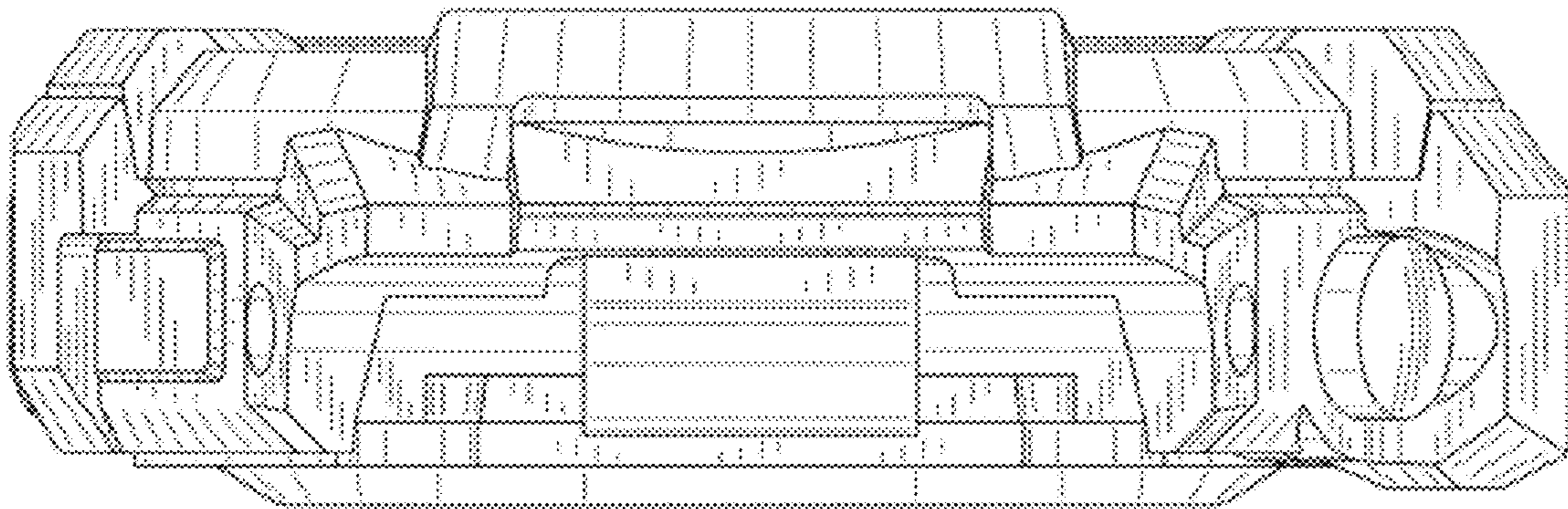


FIG. 7

UNITED STATES PATENT AND TRADEMARK OFFICE
CERTIFICATE OF CORRECTION

PATENT NO. : D663,222 S
APPLICATION NO. : 29/407010
DATED : July 10, 2012
INVENTOR(S) : Toshio Nakai

Page 1 of 1

It is certified that error appears in the above-identified patent and that said Letters Patent is hereby corrected as shown below:

On the Title Page:

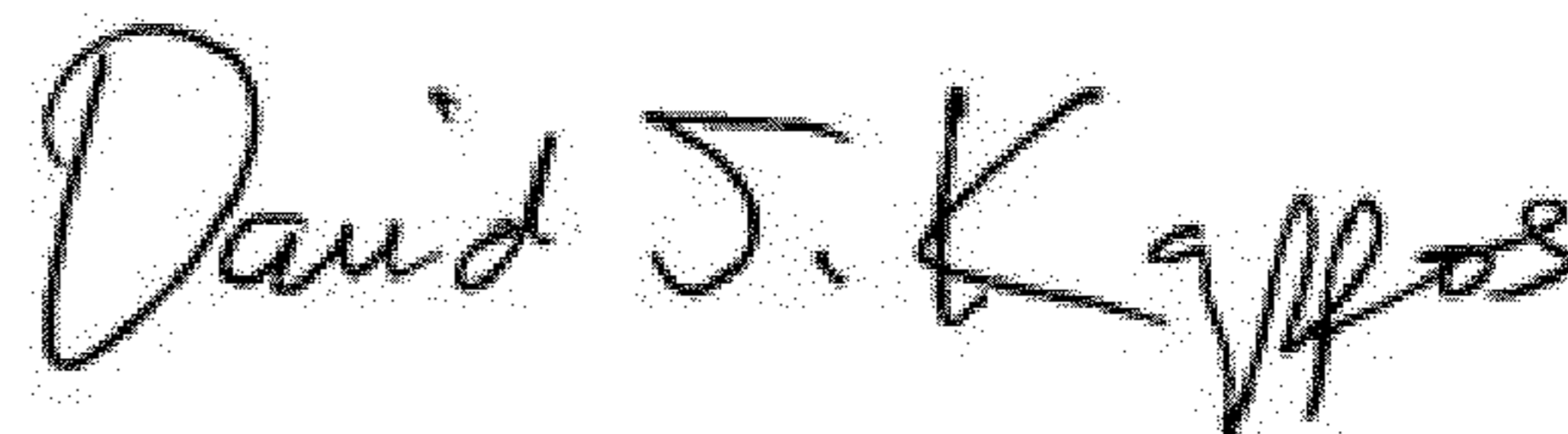
Item (73) Assignee:

delete "Casio Computer Co., Ltd."
insert --Casio Keisanki Kabushiki Kaishi
d.b.a. Casio Computer Co., Ltd--

Item (30) Foreign Application Priority Data:

delete "201130147241"
insert --201130147241.6--

Signed and Sealed this
Second Day of October, 2012



David J. Kappos
Director of the United States Patent and Trademark Office

UNITED STATES PATENT AND TRADEMARK OFFICE
CERTIFICATE OF CORRECTION

PATENT NO. : D663,222 S
APPLICATION NO. : 29/407010
DATED : July 10, 2012
INVENTOR(S) : Toshio Nakai

Page 1 of 1

It is certified that error appears in the above-identified patent and that said Letters Patent is hereby corrected as shown below:

On the Title Page:

Item (73) Assignee:

delete "Casio Computer Co., Ltd."
insert --Casio Keisanki Kabushiki Kaisha
d.b.a. Casio Computer Co., Ltd--

Item (30) Foreign Application Priority Data:

delete "201130147241"
insert --201130147241.6--

This certificate supersedes the Certificate of Correction issued October 2, 2012.

Signed and Sealed this
Fourth Day of December, 2012



David J. Kappos
Director of the United States Patent and Trademark Office