

US00D663220S

(12) **United States Design Patent**
Mouclier

(10) **Patent No.:** **US D663,220 S**
(45) **Date of Patent:** **** Jul. 10, 2012**

(54) **TRAVEL CLOCK**

(75) Inventor: **Jean Mouclier**, Montmorency (FR)

(73) Assignee: **Cartier Creation Studio SA** (CH)

(**) Term: **14 Years**

(21) Appl. No.: **29/365,571**

(22) Filed: **Jul. 12, 2010**

(51) **LOC (9) Cl.** **10-01**

(52) **U.S. Cl.** **D10/1; D10/6**

(58) **Field of Classification Search** D10/1,
D10/6, 18, 21, 24, 32, 38, 39; 368/276, 281,
368/282, 316, 317, 250, 308

See application file for complete search history.

(56) **References Cited**

U.S. PATENT DOCUMENTS

1,905,682	A	*	4/1933	Carlson	368/281
2,640,668	A	*	6/1953	Schmidt	248/116
D265,980	S	*	8/1982	Kanoui	D10/26
D323,989	S	*	2/1992	Burgener	D10/18
D335,629	S	*	5/1993	Takashima	D10/18
D359,695	S	*	6/1995	Ling	D10/26

D376,321	S	*	12/1996	Levinger et al.	D10/1
D377,148	S	*	1/1997	Bodino	D10/18
D397,943	S	*	9/1998	Levinger	D10/18
D408,298	S	*	4/1999	Levinger	D10/18
D412,286	S	*	7/1999	Shimamura	D10/18
D415,967	S	*	11/1999	Dumas	D10/25
D422,514	S	*	4/2000	Diltoer et al.	D10/39
D455,358	S	*	4/2002	Mauboussin	D10/32
D463,748	S	*	10/2002	Lepeu et al.	D10/30
D474,119	S	*	5/2003	Mouquet	D10/39
D489,009	S	*	4/2004	Sheldon et al.	D10/24
D506,684	S	*	6/2005	Junod	D10/30
D566,585	S	*	4/2008	Belamich	D10/39
D628,094	S	*	11/2010	Rabassa	D10/38

* cited by examiner

Primary Examiner — Lucy Lieberman

(74) *Attorney, Agent, or Firm* — Galbreath Law Offices,
P.C.; John A. Galbreath

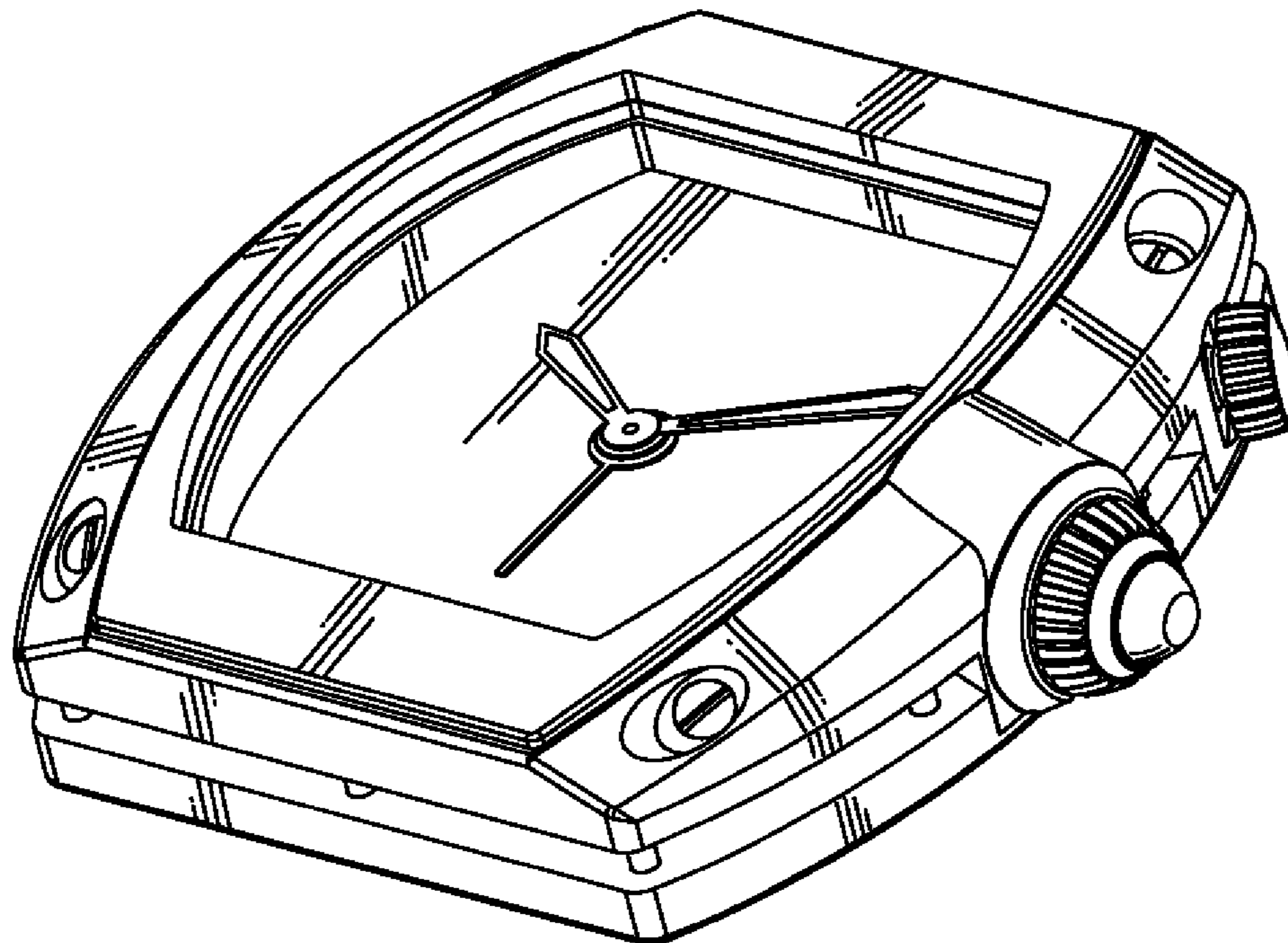
(57) **CLAIM**

The ornamental design for a travel clock, as shown and described.

DESCRIPTION

FIG. 1 is a top view of the invention; and,
FIG. 2 is a perspective view of the invention.

1 Claim, 1 Drawing Sheet



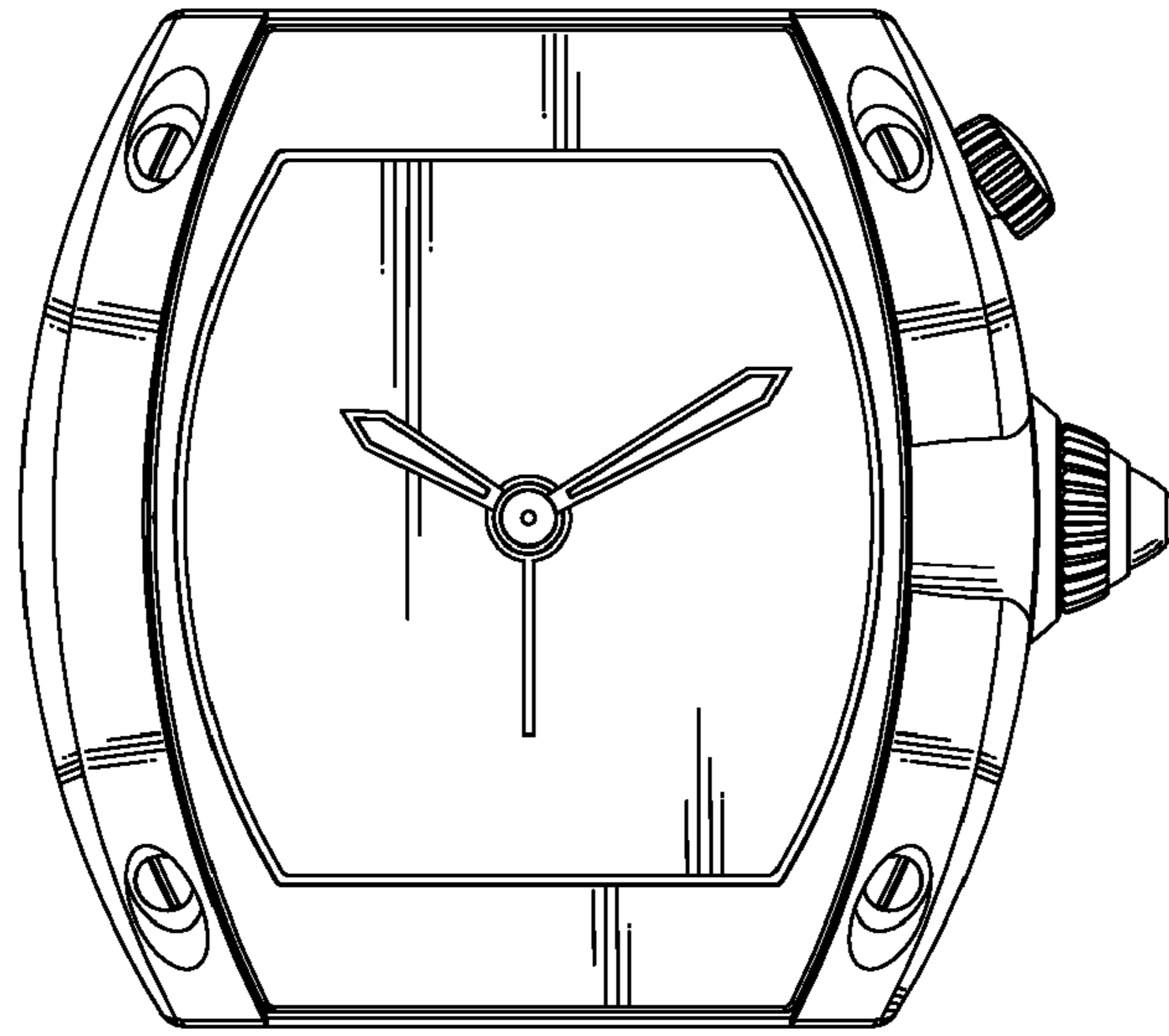


FIG. 1

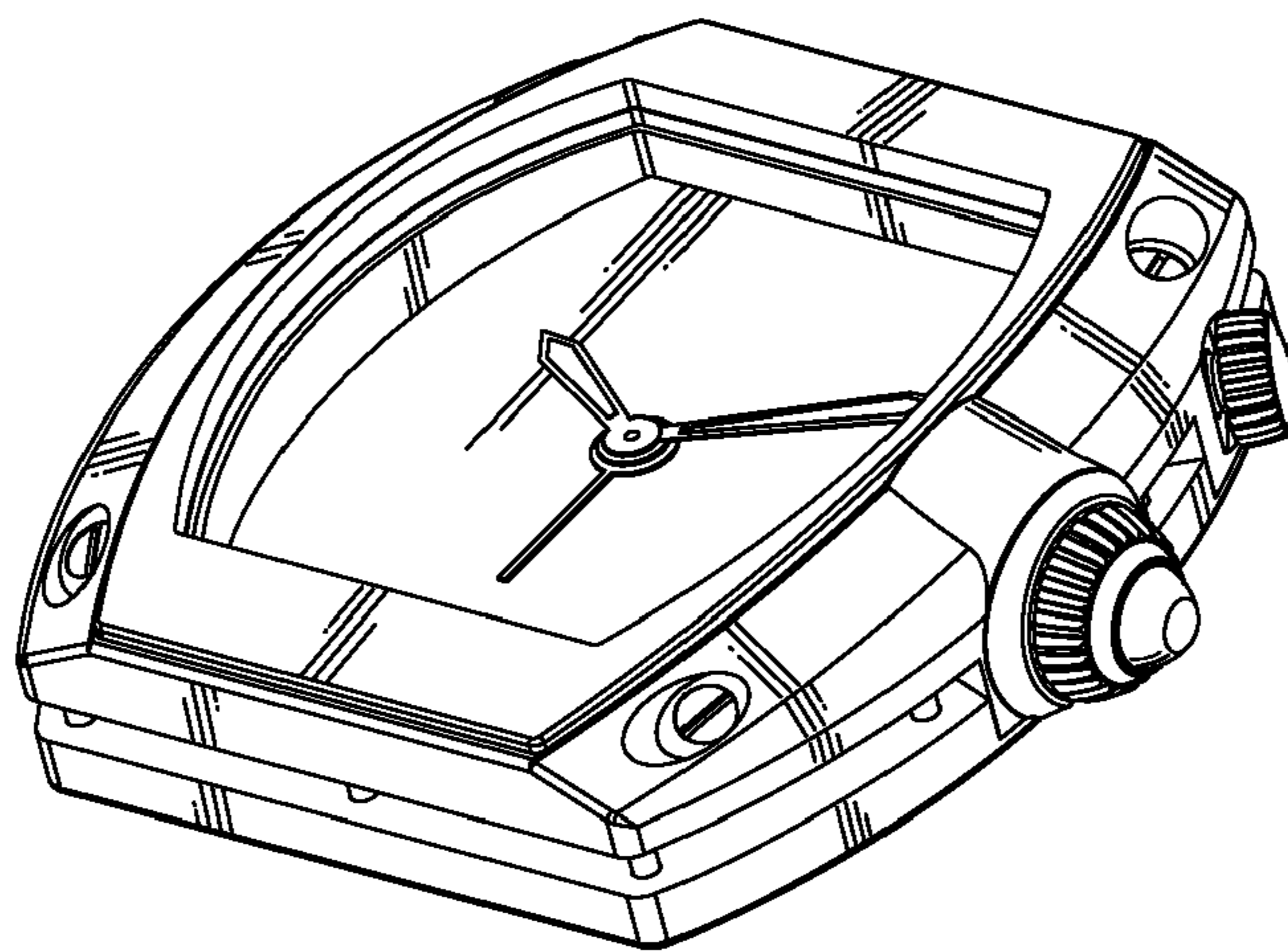


FIG. 2