

US00D663217S

(12) **United States Design Patent**  
**Bodkin**

(10) **Patent No.:** **US D663,217 S**  
(45) **Date of Patent:** **\*\* Jul. 10, 2012**

(54) **CONTAINER**

(75) Inventor: **Joel T. Bodkin**, Minneapolis, MN (US)

(73) Assignee: **Target Brands, Inc.**, Minneapolis, MN (US)

(\*\*) Term: **14 Years**

(21) Appl. No.: **29/414,830**

(22) Filed: **Mar. 5, 2012**

D466,809 S	12/2002	Sagel	
D487,225 S	3/2004	Meyer	
D499,355 S *	12/2004	Yang	D9/617
D499,663 S	12/2004	Yang	
D547,673 S *	7/2007	Glass	D9/617
D555,473 S	11/2007	Lilly et al.	
D596,024 S *	7/2009	McCoy et al.	D9/428
7,591,418 B2	9/2009	Halbur et al.	
2005/0260323 A1	11/2005	Sperling et al.	

\* cited by examiner

*Primary Examiner* — Sandra Morris

(74) *Attorney, Agent, or Firm* — Griffiths & Seaton PLLC

**Related U.S. Application Data**

(62) Division of application No. 29/378,149, filed on Oct. 29, 2010, now Pat. No. Des. 657,689.

(51) **LOC (9) Cl.** ..... **09-01**

(52) **U.S. Cl.** ..... **D9/617; D9/428**

(58) **Field of Classification Search** ..... D9/600,  
D9/601, 614, 617, 500–503, 516, 414, 428–429;  
D3/257, 270–271.1, 271.3; 206/494, 457,  
206/527; 220/890

See application file for complete search history.

(56) **References Cited**

**U.S. PATENT DOCUMENTS**

D201,102 S	5/1965	Panek	
D235,932 S	7/1975	Cone, II et al.	
D244,259 S	5/1977	Bergstein	
4,020,948 A	5/1977	Won	
4,671,406 A	6/1987	Baer	
D299,810 S *	2/1989	Trickett	D9/617
D334,340 S *	3/1993	Parrish et al.	D9/617
D347,167 S	5/1994	Ross et al.	
D351,340 S *	10/1994	Drummond et al.	D9/617
D370,410 S *	6/1996	Kroll	D9/617
D403,957 S	1/1999	Bright et al.	
D406,758 S	3/1999	Bright et al.	
D414,686 S *	10/1999	Simpson et al.	D9/617
D427,058 S	6/2000	Agulnick	
D437,219 S	2/2001	Gallart et al.	
D456,245 S	4/2002	Ferris	

(57) **CLAIM**

The ornamental design for a container, as shown and described.

**DESCRIPTION**

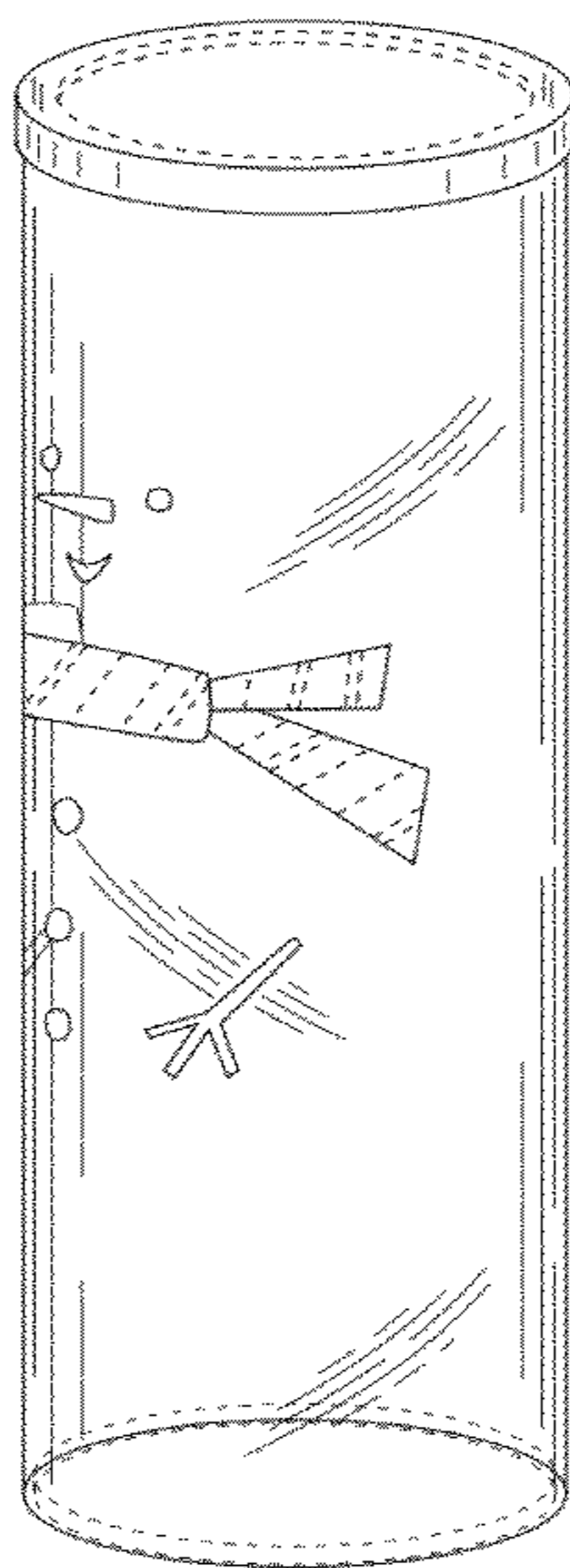
FIG. 1 is a top perspective view of a container showing a first embodiment our new design;  
FIG. 2 is a front view thereof;  
FIG. 3 is a rear view thereof;  
FIG. 4 is a right side view thereof;  
FIG. 5 is a left side view thereof;  
FIG. 6 is a top view thereof; and  
FIG. 7 is a bottom view thereof.

FIG. 8 is a top perspective view of the container of FIG. 1 showing the first embodiment our new design with additional environmental subject matter shown in broken lines;

FIG. 9 is a front view thereof;  
FIG. 10 is a rear view thereof;  
FIG. 11 is a right side view thereof;  
FIG. 12 is a left side view thereof;  
FIG. 13 is a top view thereof; and,  
FIG. 14 is a bottom view thereof.

The features shown in broken lines depict environmental or other associated subject matter and form no part of the claimed design.

**1 Claim, 12 Drawing Sheets**



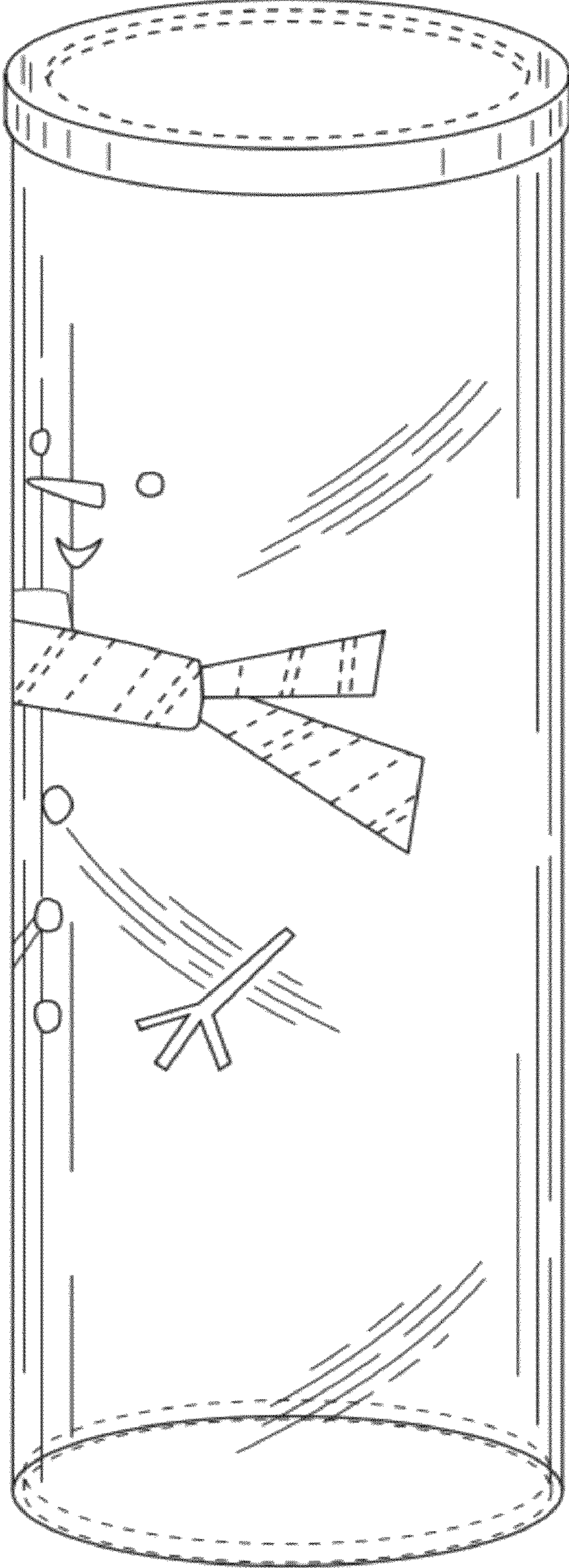


FIG. 1

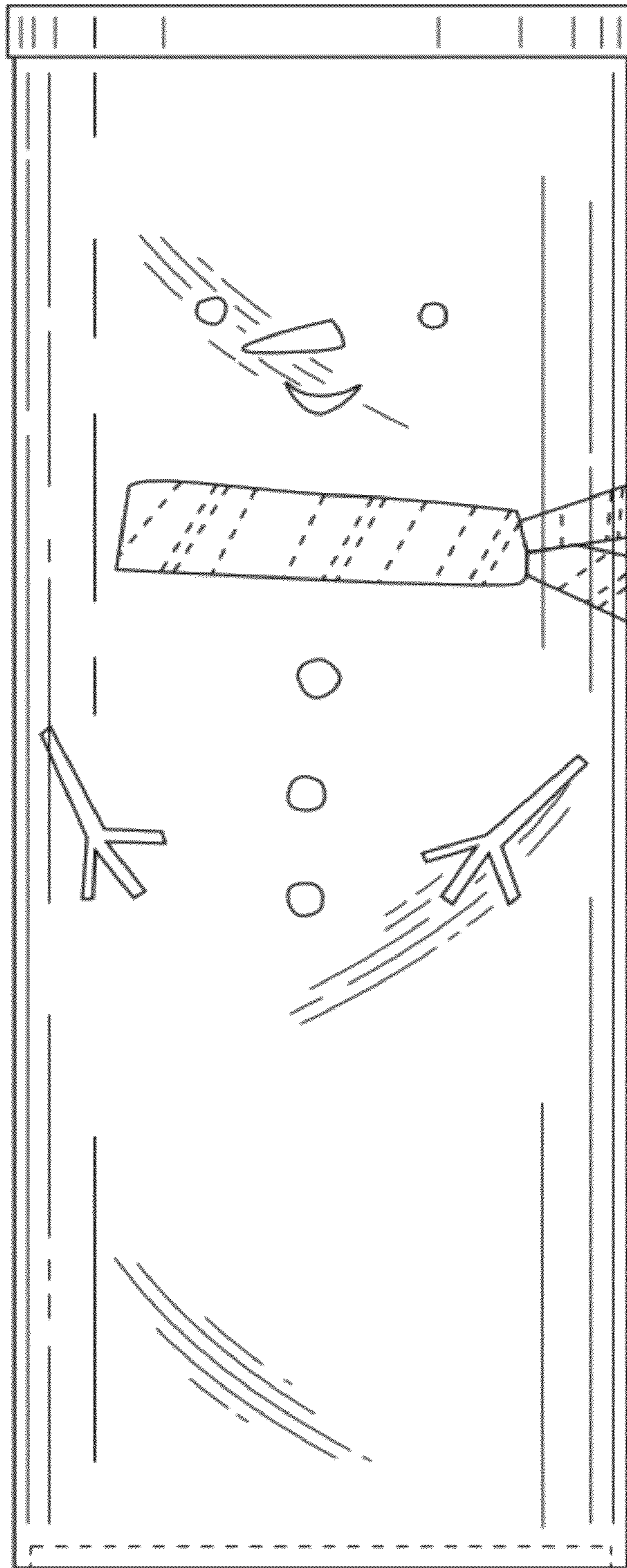


FIG. 2

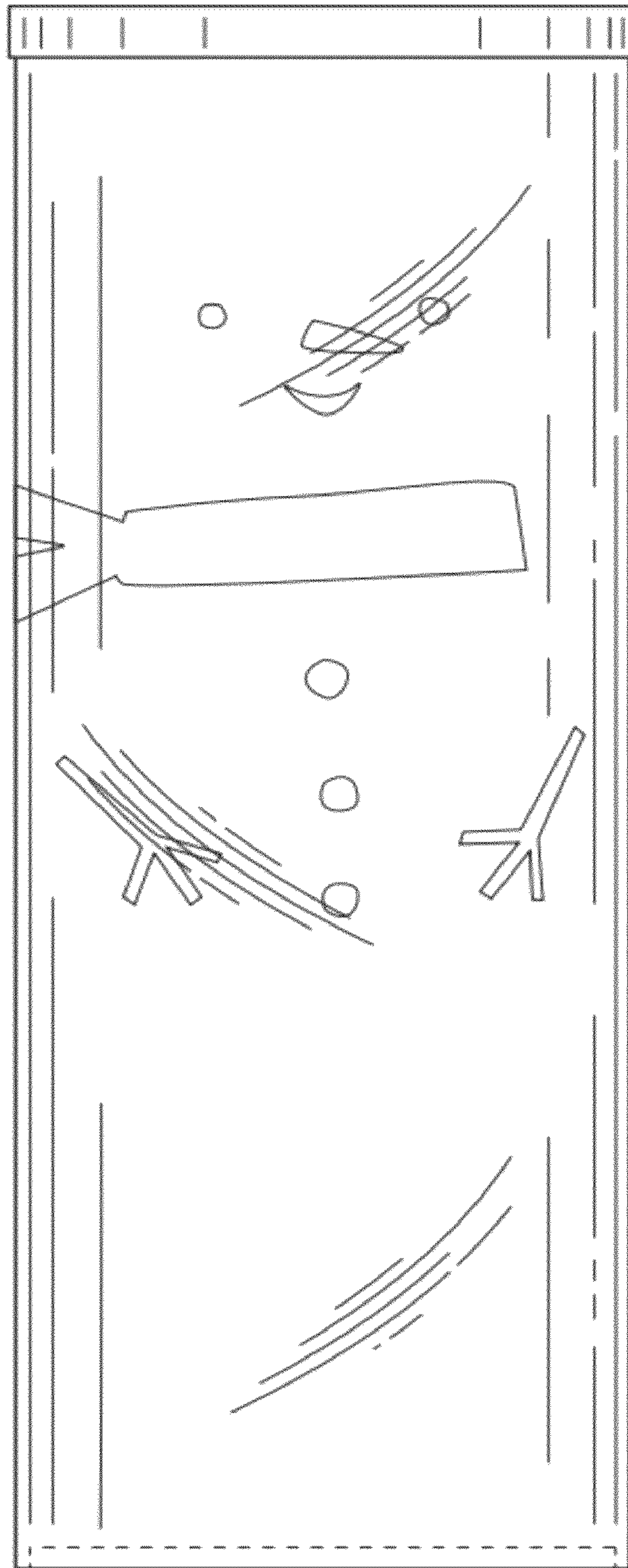


FIG. 3

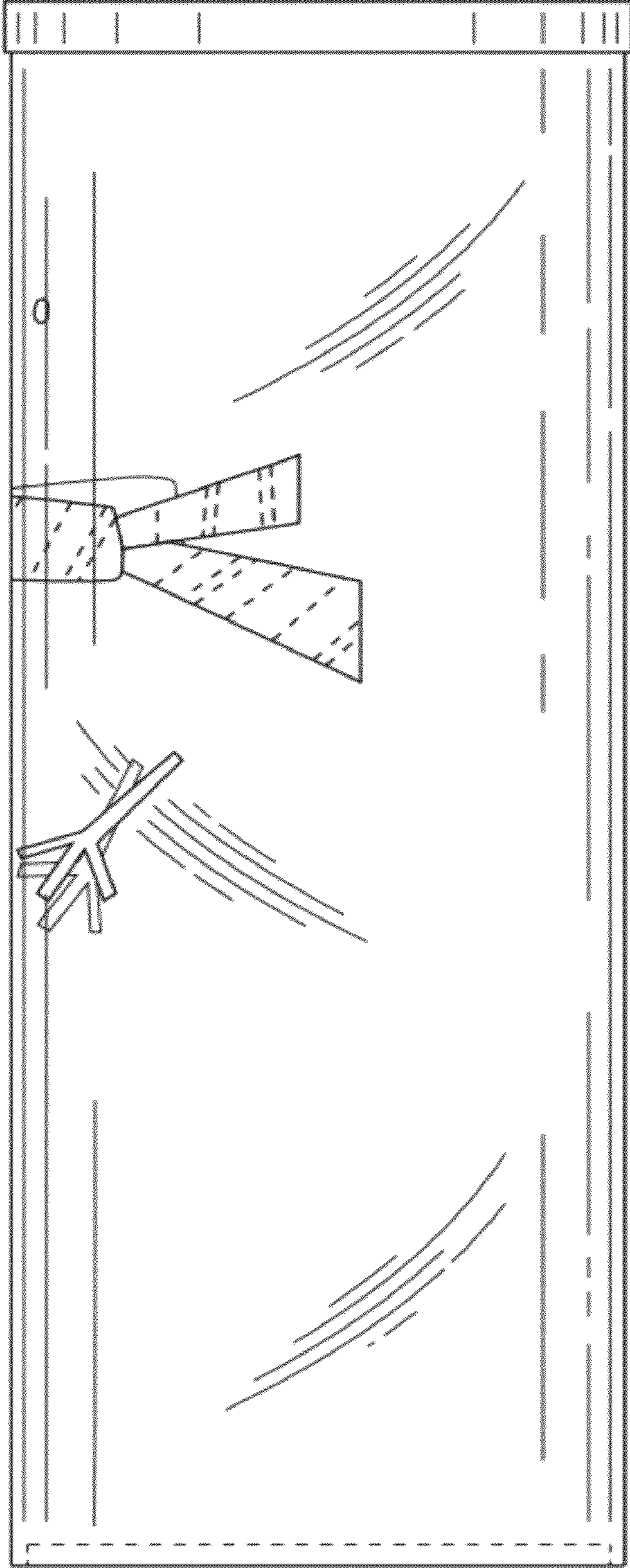


FIG. 4

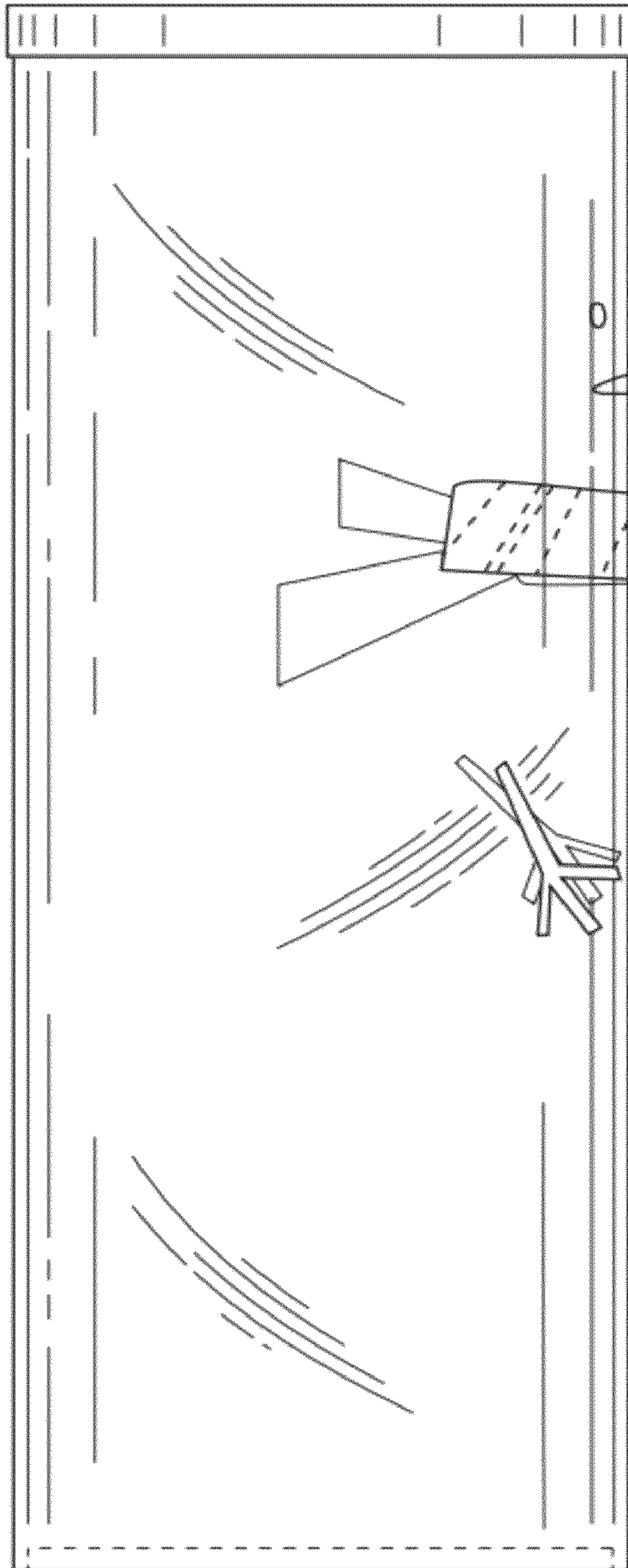
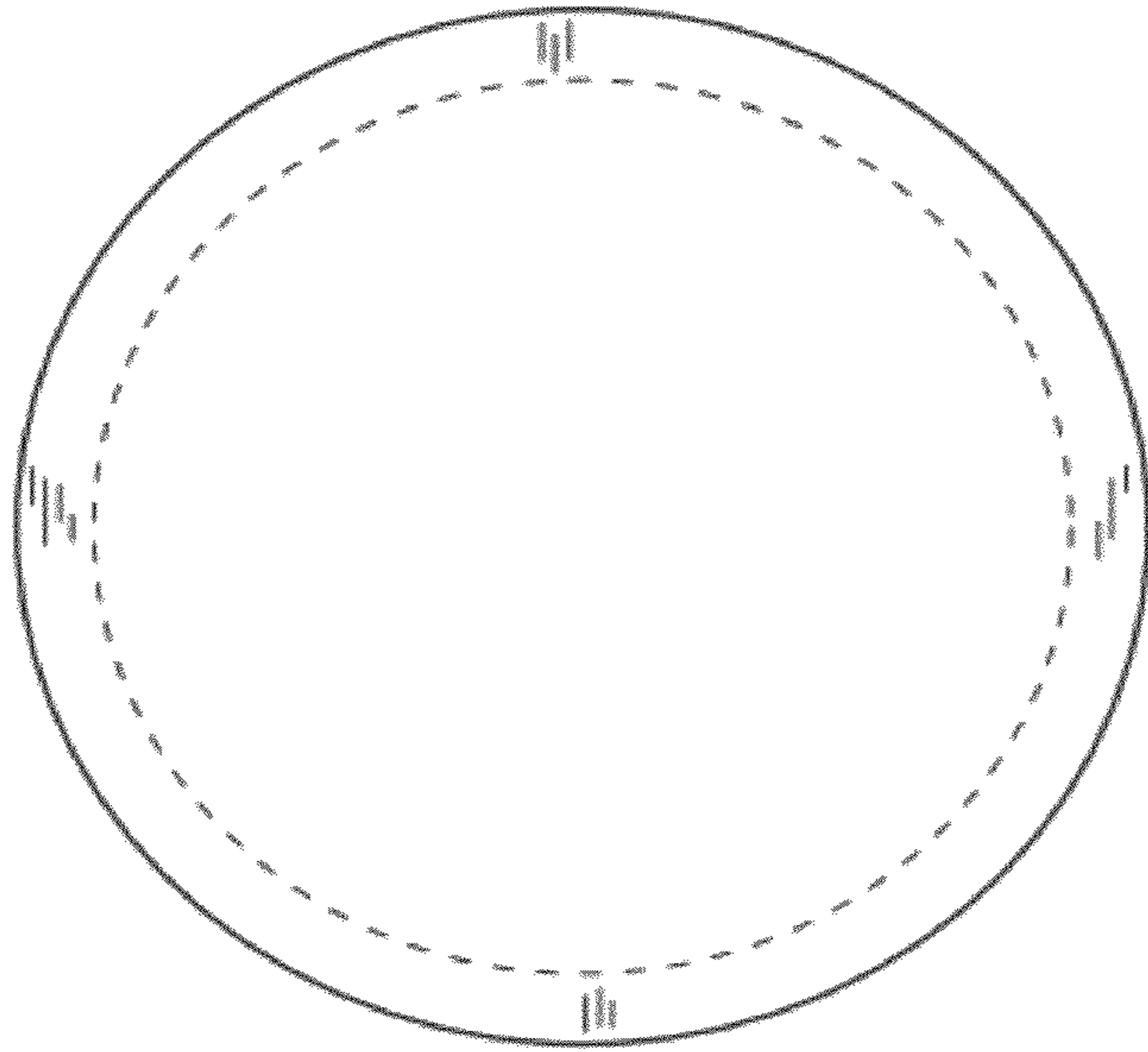
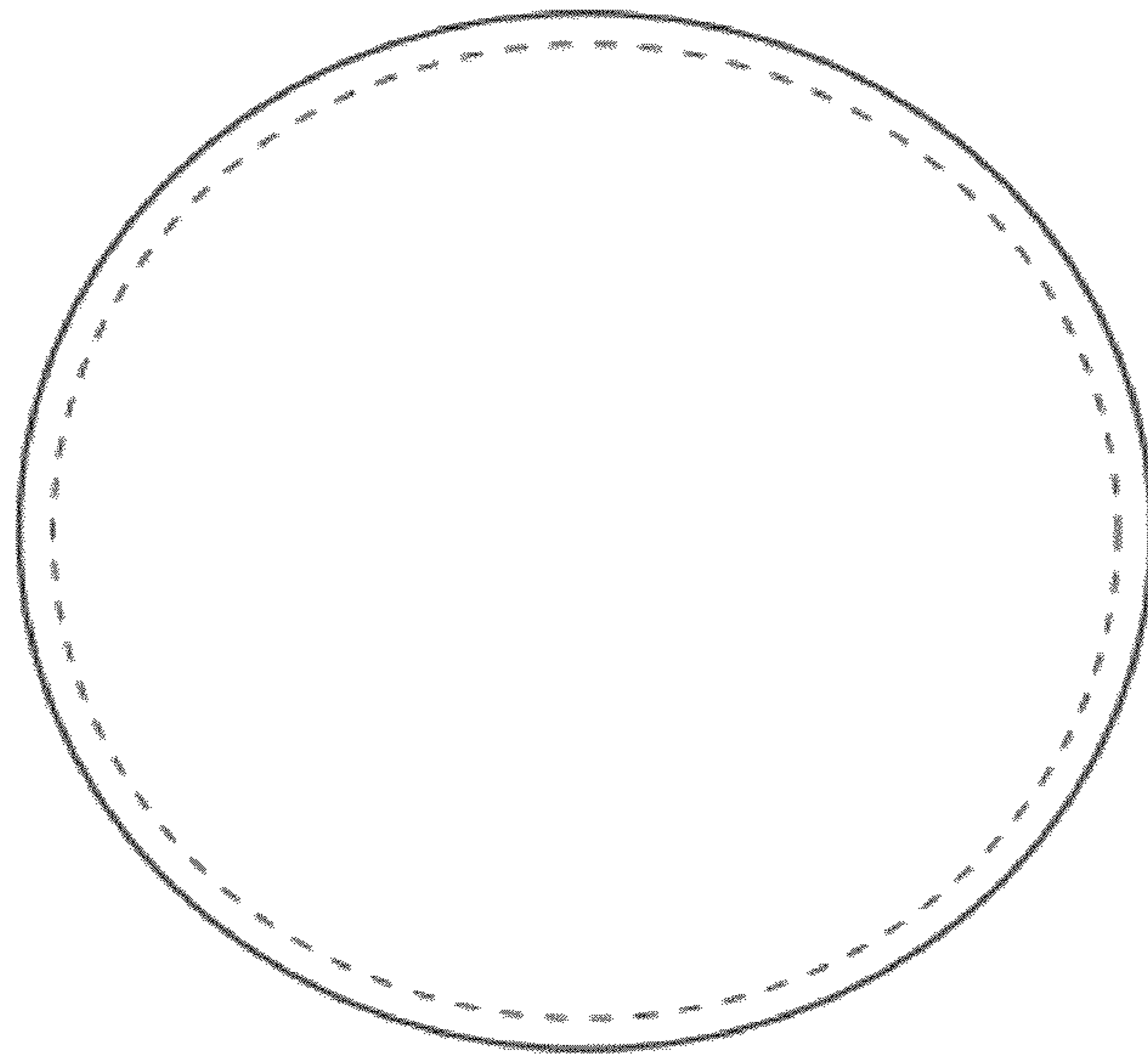


FIG. 5



**FIG. 6**



**FIG. 7**

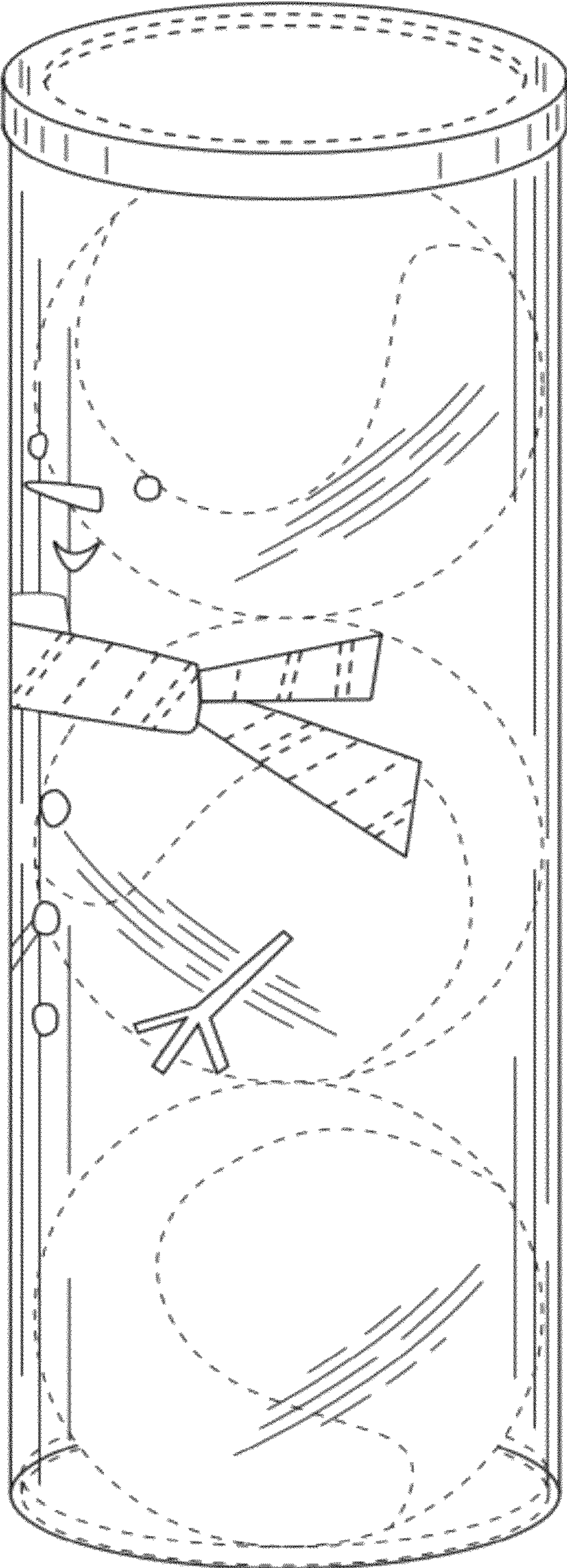


FIG. 8



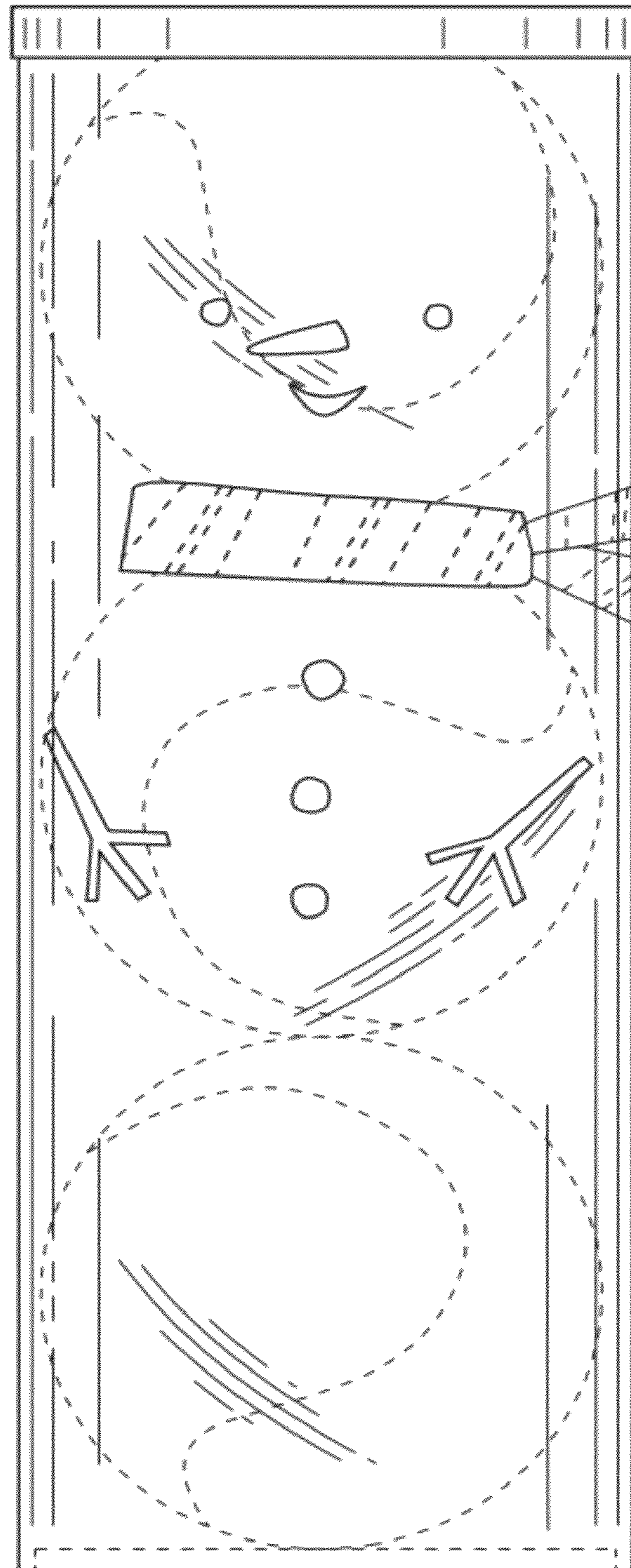


FIG. 9

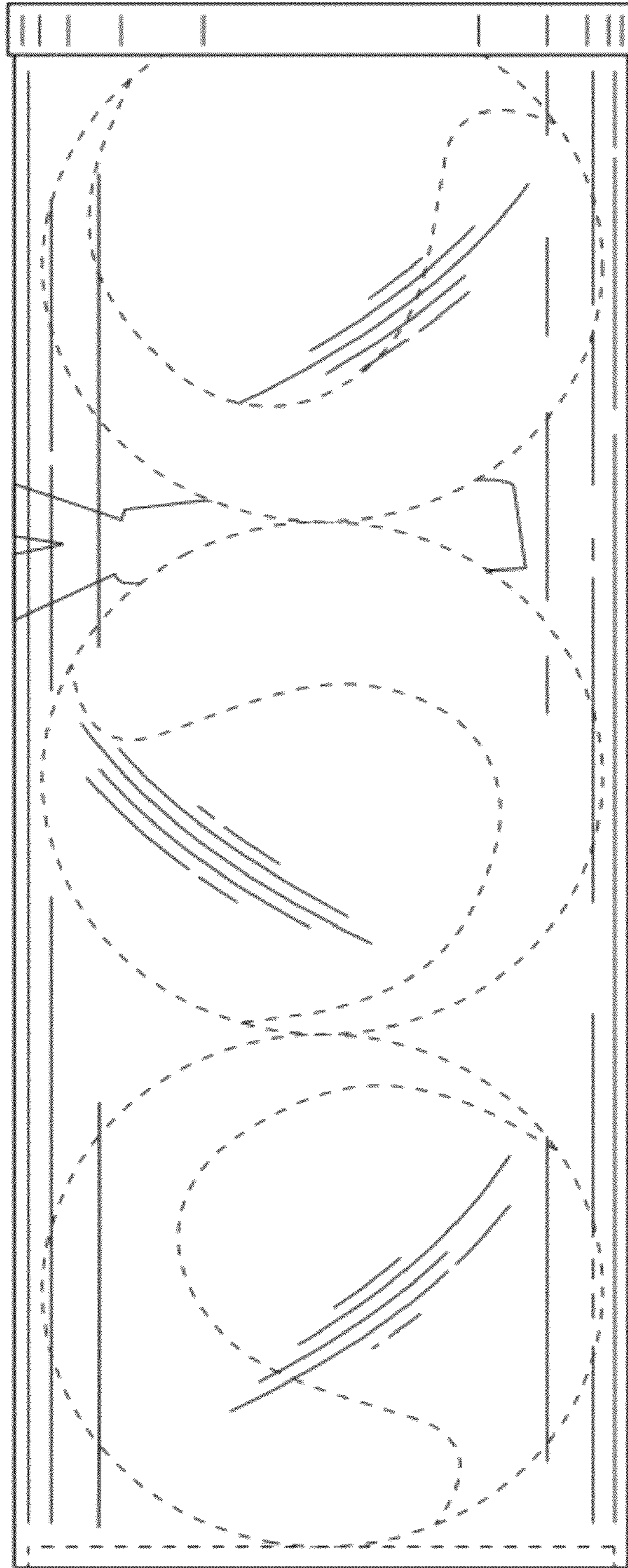


FIG. 10

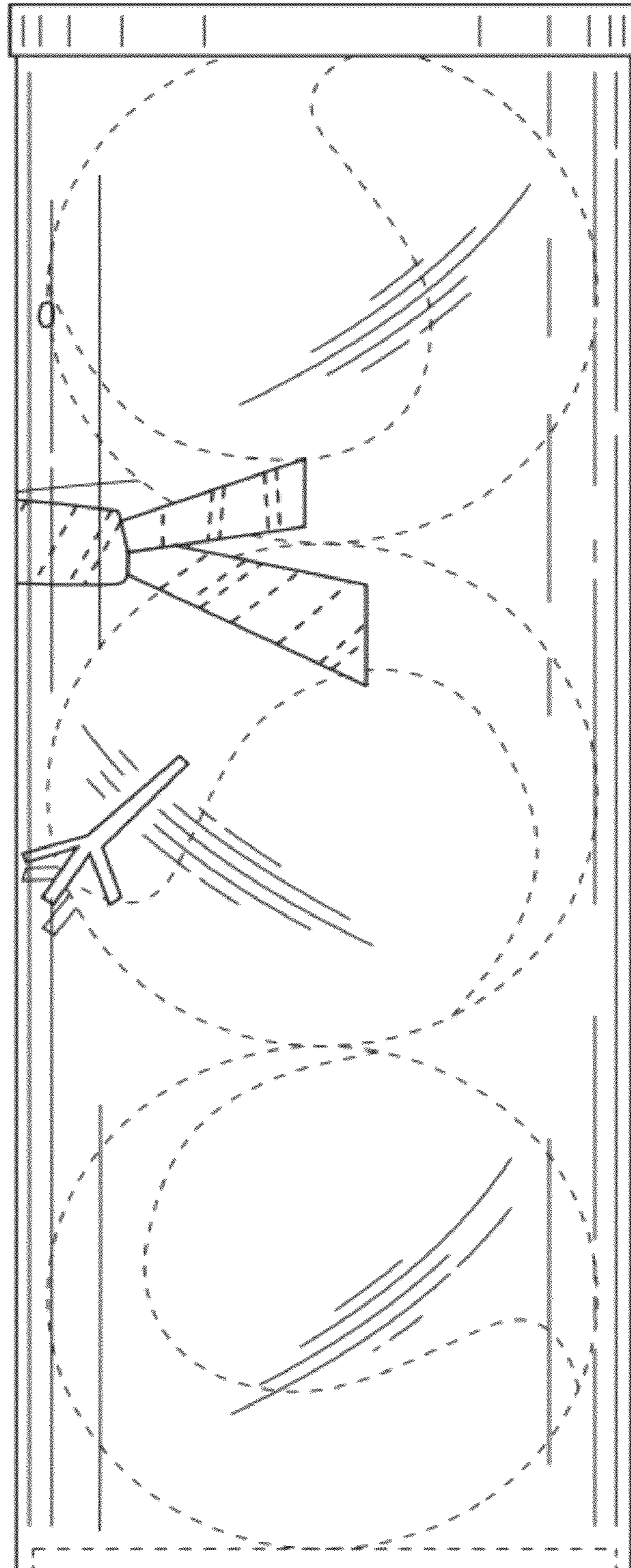


FIG. 11

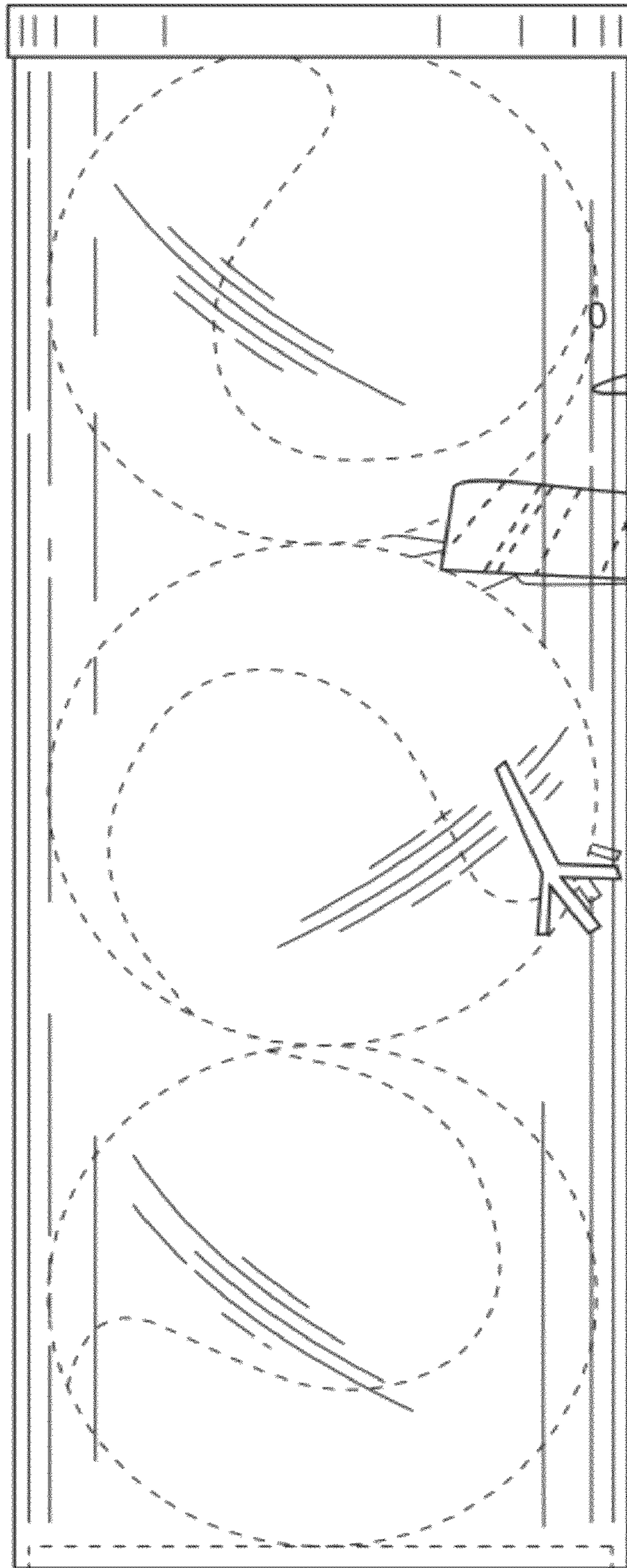
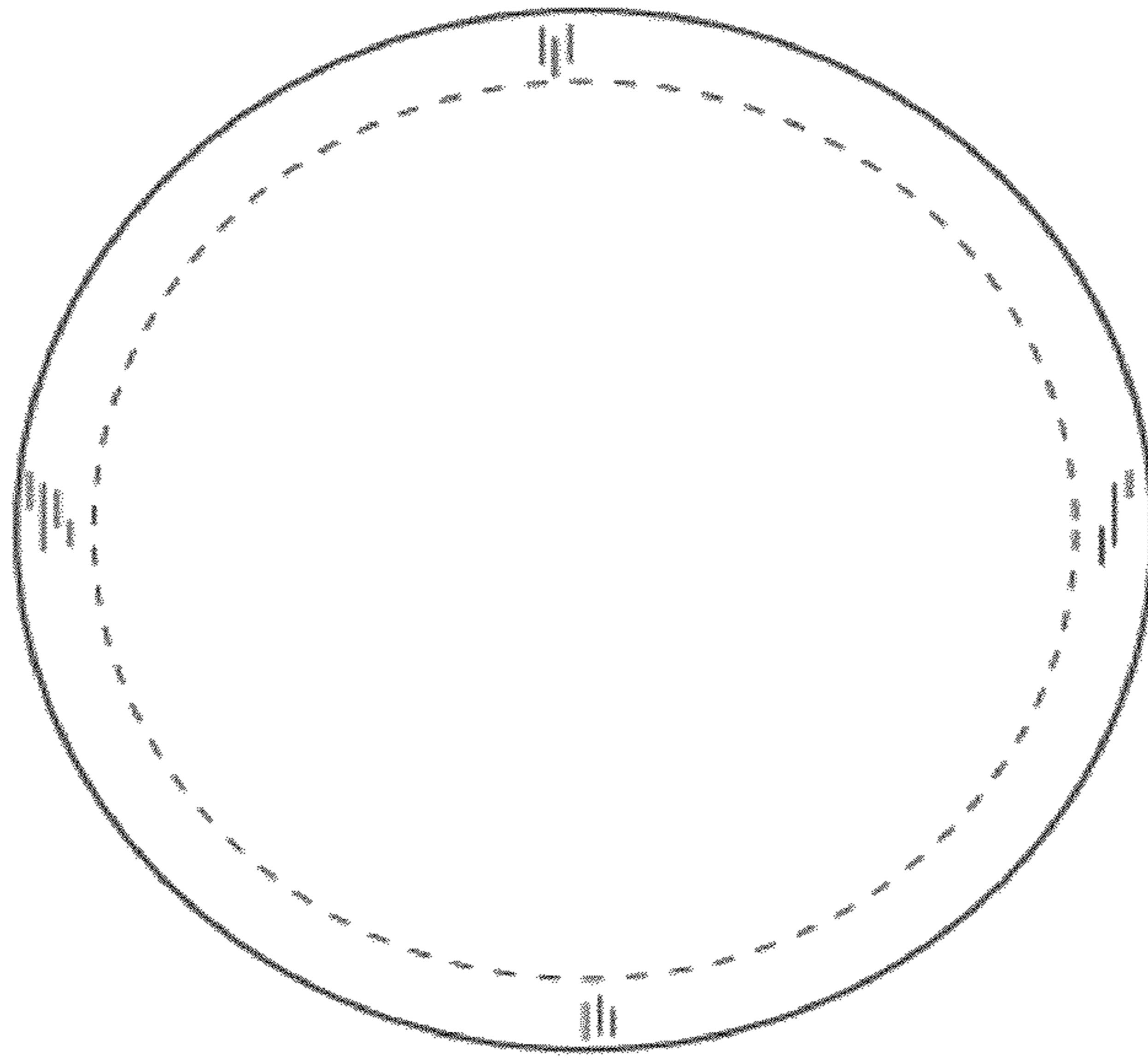
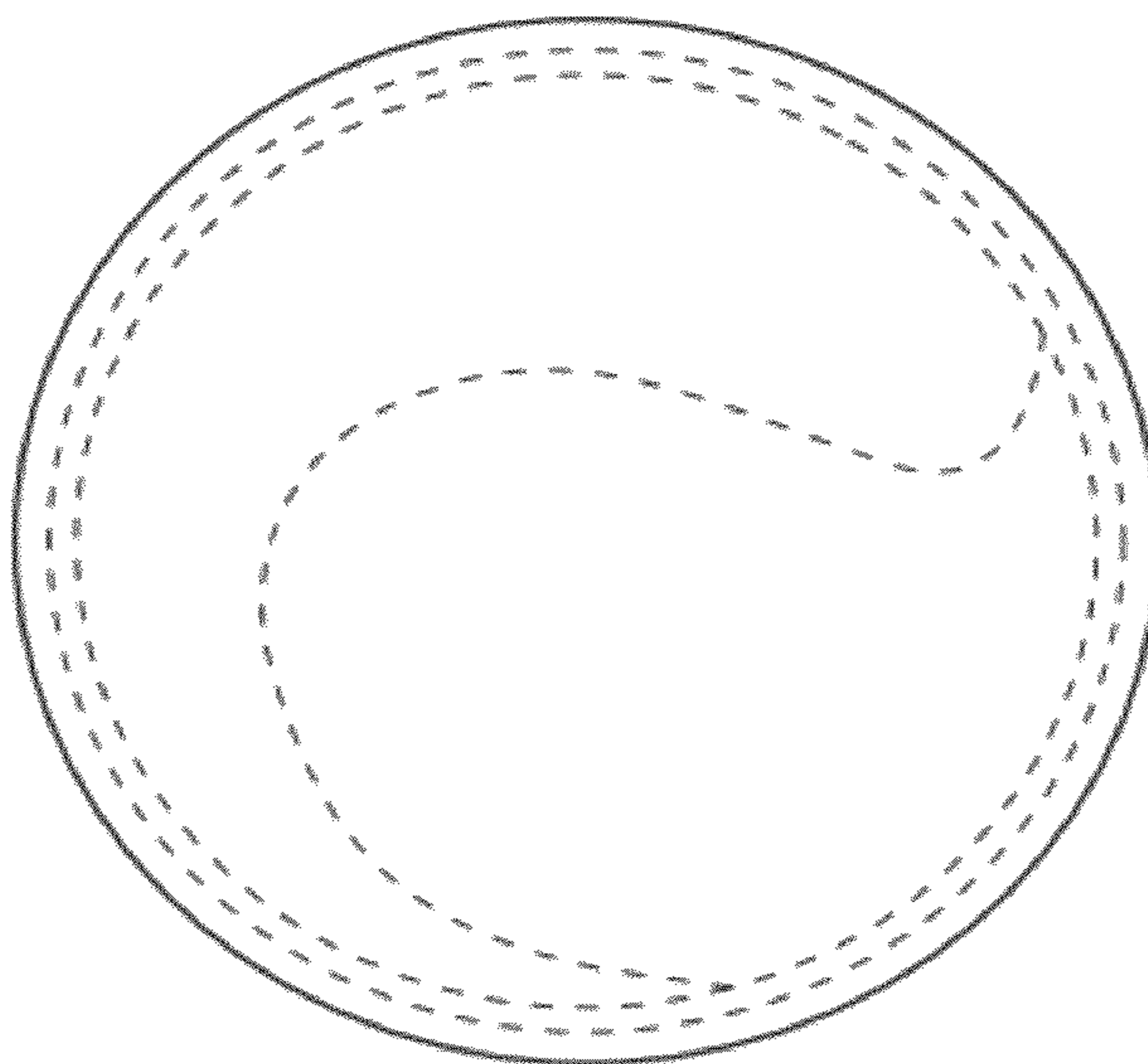


FIG. 12



**FIG. 13**



**FIG. 14**